

# **FARMALL 95 HC** **Tractors**

## **Operator's Manual**

**Print No. 84154415**

1st edition  
English 02/10



# FARMALL 95 HC

## Operator's Manual

Print No: 84154415

1st Edition

English 02 / 2010



## **SECTION SUMMARY**

- 1 - General Information and Safety**
- 2 - Controls, Instruments and Operation**
- 3 - Field Operation**
- 4 - Lubrication and Maintenance**
- 5 - Fault Finding**
- 6 - Vehicle Storage**
- 7 - Accessories**
- 8 - Specifications**
- 9 - Service Forms**
- 10 - Index**

---

## ***IMPORTANT WARNINGS***

The machine is designed and produced exclusively for agricultural and forestry use. Any other use may lead to serious accidents.

All other use will be considered to be contrary to the use specified by CASE IH, who cannot be held liable for damage to property or the machine, or for personal injuries which may result.

Persons who risk improper use will therefore assume the responsibility for any consequences arising from such use.

Compliance with the instructions for use, maintenance and repairs described in this Manual, are the essential preconditions for the use specified by CASE IH.

The machine must only be used, serviced or repaired by personnel trained in the relevant working methods and safety regulations and who have been authorized to work on the machine.

The driver must also observe the rules concerning general safety and accident prevention, including the Highway Code when driving on public highways.

Any arbitrary modifications made to this machine will release CASE IH from any liability resulting from damage or injury.

CASE IH and all distribution organizations, inclusive of, but not restricted to, national, regional or local distributors, cannot be held liable for damage resulting from the malfunction of parts and/or components not approved by CASE IH.

Under no circumstances will a guarantee be issued for products made or sold by CASE IH that are damaged as a result of the malfunction of parts and/or components not approved by CASE IH.

# TO THE OWNER

This manual contains information concerning the adjustment and maintenance of your Case IH Farmall 95 HC Model Tractor. You have purchased a dependable machine, but only by proper care and operation can you expect to receive the performance and long service built into this tractor. Please have all operators read this manual carefully and keep it available for ready reference.

This machine was designed to power and propel itself. It is intended to load and move materials with a variety of buckets and forks. Allied attachments built and supplied by other manufacturers can be used on the tractor where recommended and approved by CNH.

Your CNH dealer will instruct you in the general operation of your tractor. (Refer to the "Delivery Report" at the back of this manual.) Your dealer's staff of factory-trained service technicians will be glad to answer any questions that may arise regarding the operation of your tractor.

Your CNH dealer carries a complete line of genuine CNH service parts. These parts are manufactured and carefully inspected to insure high quality and accurate fitting of any necessary replacement parts. Be prepared to give your dealer the model and PIN number of the engine and tractor, when ordering parts. Locate these numbers now and record them below. Refer to the "General Information" section of this manual for the location of the model and PIN numbers of your tractor.

Model \_\_\_\_\_ Engine Model \_\_\_\_\_  
PIN Number \_\_\_\_\_ Engine Serial Number \_\_\_\_\_

# IMPROVEMENTS

CNH America LLC is continually striving to improve its products. We reserve the right to make improvements or changes when it becomes practical and possible to do so, without incurring any obligation to make changes or additions to the equipment sold previously.

---

**CALIFORNIA**  
**Proposition 65 Warning**

**Diesel engine exhaust and some of its constituents are known to the State of California to cause cancer, birth defects, and other reproductive harm.**

**Battery posts, terminals and related accessories contain lead and lead compounds, chemicals known to the State of California to cause cancer and birth defects or other reproductive harm. Wash hands after handling.**

---

# CONTENTS

Title	Page
<b>Section 1 - General Information and Safety</b>	
To the owner .....	1-1
Tractor identification .....	1-2
Ecology and the environment .....	1-4
Safety precautions .....	1-5
Safety decals .....	1-11
International symbols .....	1-15
<b>Section 2 - Controls, Instruments and Operation</b>	
Safety covers and guards .....	2-2
Controls and instruments .....	2-4
Instrument panel .....	2-5
Instrument console controls .....	2-11
Right-hand side operating controls .....	2-12
Left-hand side operating controls .....	2-13
Cab controls .....	2-15
Seats .....	2-16
Cab .....	2-19
Cab air conditioning system .....	2-27
Transmission with range gear and shuttle- 30 km/h (19 mph) .....	2-31
Transmission with creeper and shuttle- 30 km/h (19 mph) .....	2-33
Mechanically controlled four wheel drive .....	2-35
Mechanically controlled differential lock .....	2-36
Towing the tractor .....	2-38
Loading the tractor onto a transporter .....	2-38
Checks before using the tractor .....	2-39
<b>Section 3 - Field Operation</b>	
Starting the engine .....	3-2
Power take-off .....	3-5
Hydraulic lift .....	3-9
Three-point linkage Cat. II .....	3-14
Remote control valves .....	3-20
Wheel track adjustment .....	3-22
Tires .....	3-26
Tire combinations .....	3-29
Ballasting .....	3-31
Static weight distribution .....	3-50

---

## **Section 4 - Lubrication and Maintenance**

Access for inspection and maintenance .....	4-4
Lubrication and maintenance table .....	4-5
Flexible maintenance .....	4-7
When the warning light is on .....	4-9
10-hour / daily service .....	4-11
50-hour service .....	4-16
300-hour service .....	4-19
500/600-hour service .....	4-24
1200-hour service .....	4-26
1200-hour or every 2 years service .....	4-32
General maintenance .....	4-33
Electrical system .....	4-35
Recommendations for bodywork maintenance .....	4-42
Lubricant capacities and specifications .....	4-43

## **Section 5 - Fault Finding**

Introduction .....	5-1
Engine .....	5-2
Electrical system .....	5-5
Hydraulic system .....	5-6
Three-point linkage .....	5-7
Brakes .....	5-8
Cab .....	5-8

## **Section 6 - Vehicle Storage** .....

## **Section 7 - Accessories**

Beacon lamp .....	7-2
Drawbars and towing attachments .....	7-3
Hydraulic trailer brake .....	7-9

## **Section 8 - Specifications**

General Dimensions .....	8-2
Weights .....	8-4
Engine specifications .....	8-5
Timing .....	8-6
Fuel system .....	8-6
Lubrication .....	8-7
Cooling system .....	8-7
Transmission .....	8-7
Power take-off .....	8-8
Hydraulic system .....	8-8
Three-point linkage .....	8-9
Front axle .....	8-9
Steering .....	8-10
4WD front axle .....	8-10
Brakes .....	8-11
Bodywork and driving position .....	8-11
Towing devices .....	8-11
Electrical system .....	8-12

## **Section 9 - Service Forms**

Delivery report .....	9-1
First 50 hour service .....	9-5

## **Section 10 - Index** .....



# SECTION 1

## GENERAL INFORMATION AND SAFETY

### TO THE OWNER

#### GENERAL

This Manual has been prepared to assist you in the correct procedure for running-in, driving and operating and for the maintenance of your new tractor. Read this Manual carefully. Your tractor is intended for use in normal and customary agricultural applications.

If at any time you require advice concerning your tractor, do not hesitate to contact your CASE IH dealer. He has factory trained personnel, genuine manufacturers' parts and the necessary equipment to carry out all your service requirements.

Your tractor has been designed and built to give maximum performance, economy and ease of operation under a wide variety of operating conditions. Prior to delivery, the tractor was carefully inspected, both at the factory and by your dealer to ensure that it reaches you in optimum condition. To maintain this condition and ensure trouble-free operation, it is important that the routine services, as specified in Section 4 of this Manual, are carried out at the recommended intervals.

#### CLEANING THE TRACTOR

Your tractor is a state-of-the-art machine with sophisticated controls. This should be borne in mind when cleaning the tractor, particularly if using a high pressure washer. Even though every precaution has been taken to safeguard electrical components and connections, the pressure generated by some of these machines is such that complete protection against water ingress cannot be guaranteed.

When using a high pressure washer, do not stand too close to the tractor and avoid directing the jet at electronic components, electrical connections, breathers, seals, filler caps, etc. Never direct a cold water jet at a hot engine or exhaust.

### SAFETY

Pages 1-5 to 1-10 inclusive list the precautions to be observed to ensure your safety and the safety of others. Read the safety precautions and follow the advice offered **before** operating the tractor.

#### FIRST 50 HOUR SERVICE

In Section 9, at the back of this Manual, you will find the 50-hour service reports.

After you have operated the tractor for 50 hours, take your tractor, together with this Manual, to your dealer. He will then perform the factory recommended 50-hour service and complete the service report sheets (pages 9-5 and 9-7). The first sheet (page 9-5) is the dealer's copy and should be removed by the dealer after the service has been carried out. The second sheet (page 9-7) is your copy of the service performed. **Ensure that you and the dealer sign both copies.**

#### SERVICE PARTS

It should be pointed out that genuine parts have been examined and approved by the Company. The installation and/or use of 'non-genuine' products could have negative effects upon the design characteristics of your tractor and thereby affect its safety. The Company is not liable for any damage caused by the use of 'non-genuine' parts and accessories. Only genuine replacement parts should be used. The use of non-genuine parts may invalidate legal approvals associated with this product.

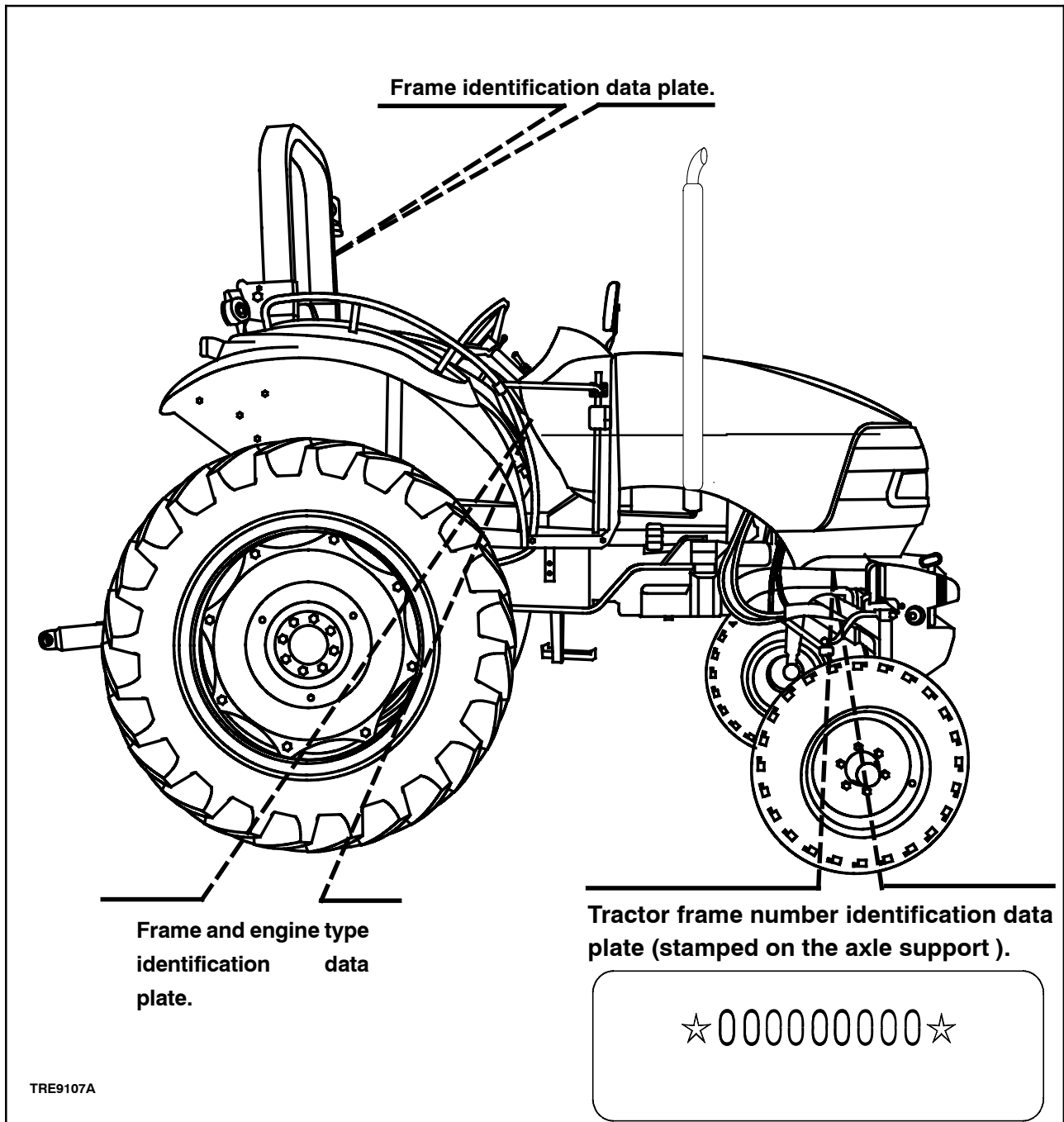
It is prohibited to carry out any modifications to the tractor unless specifically authorized, in writing, by the After Sales Service department of the Company.

#### WARRANTY

Your tractor is warranted according to legal rights in your country and the contractual agreement with the selling dealer. No warranty shall, however, apply if the tractor has not been used, adjusted and maintained according to the instructions given in the Operator's Manual.

## TRACTOR IDENTIFICATION

Serial numbers identify the tractor and its main components. The identification data must be supplied by the dealer for requests for spare parts or service operations. Identification data is of fundamental importance in the event of theft of the tractor. The location of the various identification data is shown below.

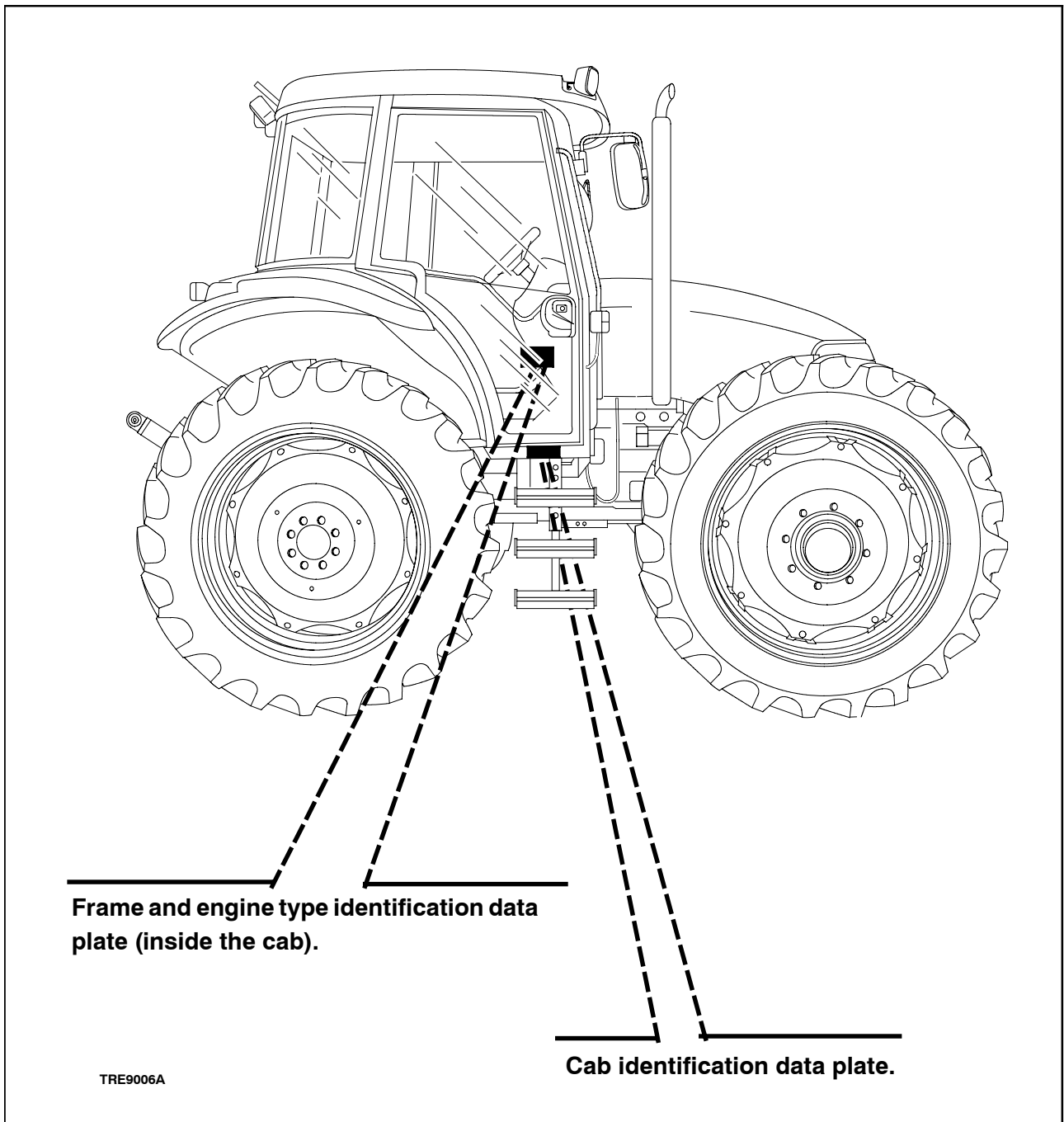


**Product Identification Number Plate**

The Product Identification Number plate provides important information on tractor and towed equipment weight combinations. This plate can be found on the right-hand side of the cab exterior trim panel, below the rear window.

The figures shown are the maximum permissible vehicle and towing weights and should not be exceeded, to do so may affect the safe operation of the tractor. See Drawbars and Towing Attachments in Section 7.

<b>CASE III</b>	CNH America LLC Racine, WI 53404 U.S.A.
MODEL	<input type="text"/>
<input type="radio"/>	<input type="radio"/>
CHASSIS	<input type="text"/>
HOMOLOGATION	<input type="text"/>
ENGINE	<input type="text"/>
Made in Turkey	<input type="checkbox"/>



TRE9006A

## ECOLOGY AND THE ENVIRONMENT

Soil, air and water are vital factors of agriculture and life in general. Where legislation does not yet rule the treatment of some of the substances which are required by advanced technology, common sense should govern the use and disposal of products of a chemical and petrochemical nature.

The following are recommendations which may be of assistance:

- Become acquainted with and ensure that you understand the relative legislation applicable to your country.
- Where no legislation exists, obtain information from suppliers of oils, filters, batteries, fuels, antifreeze, cleaning agents, etc., with regard to their effect on man and nature and how to safely store, use and dispose of these substances. Agricultural consultants will, in many cases, be able to help you as well.

### HELPFUL HINTS

1. Avoid filling tanks using unsuitable containers or inappropriate pressurized fuel delivery systems which may cause considerable spillage.
2. In general, avoid skin contact with all fuels, oils, acids, solvents, etc. Most of them contain substances which can be harmful to your health.

3. Modern oils contain additives. Do not burn contaminated fuels and/or waste oils in ordinary heating systems.
4. Avoid spillage when draining off used engine coolant mixtures, engine, gearbox and hydraulic oils, brake fluids, etc. Do not mix drained brake fluids or fuels with lubricants. Store them safely until they can be disposed of in a proper way to comply with local legislation and available resources.
5. Modern coolant mixtures, i.e. antifreeze and other additives, should be replaced every two years. They should not be allowed to get into the soil but should be collected and disposed of safely.
6. Do not open the air-conditioning system yourself. It contains gases which should not be released into the atmosphere. Your dealer or air conditioning specialist has a special extractor for this purpose and will have to recharge the system anyway.
7. Repair any leaks or defects in the engine cooling or hydraulic system immediately.
8. Do not increase the pressure in a pressurized circuit as this may lead to the components exploding.
9. Protect hoses during welding as penetrating weld splatter may burn a hole or weaken them, causing the loss of oils, coolant, etc.

## SAFETY PRECAUTIONS

A careful operator is the best operator. Most accidents can be avoided by observing certain precautions. To help prevent accidents, read and take the following precautions **before** driving, operating or servicing the tractor. Equipment should be operated only by those who are responsible and instructed to do so.

### PRECAUTIONARY STATEMENTS

Throughout this Manual you will see text, preceded by the words **NOTE**, **NOTICE**, **CAUTION**, **WARNING** or **DANGER**. Such text has the following significance:

### MACHINE SAFETY AND INFORMATION

**NOTE:** Instructions that clarify steps, procedures, or other information in this manual.

**NOTICE:** The word **NOTICE** is intended for machine safety and property damage. It is used throughout this manual followed by the specific instructions to prevent machine and property damage. Failure to follow **NOTICE** messages could result in machine or property damage.

### PERSONAL SAFETY



**CAUTION**, used with the safety alert symbol, indicates a hazardous situation which, if not avoided, could result in minor or moderate injury. The color associated with Caution is **YELLOW**.



**WARNING** indicates a hazardous situation which, if not avoided, could cause death or serious injury. The color associated with Warning is **ORANGE**.

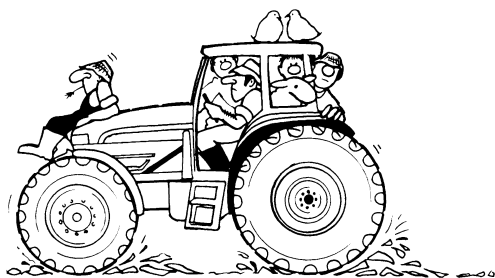


**DANGER** indicates a hazardous situation which, if not avoided, will result in death or serious injury. The color associated with Danger is **RED**.

Failure to follow the **CAUTION**, **WARNING** and **DANGER** instructions could result in death or serious injury.

### THE TRACTOR

1. Read the Operator's Manual carefully before using the tractor. Lack of operating knowledge can lead to accidents.
2. Only allow properly trained and qualified persons to operate the tractor.
3. To prevent falls, use the handrails and step plates when getting on and off the tractor. Keep steps and platform clear of mud and debris.
4. Replace all missing, illegible or damaged safety decals.
5. Keep safety decals free of dirt or grime.



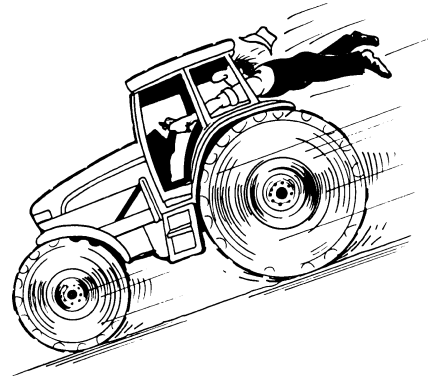
6. Do not permit anyone but the operator to ride on the tractor unless a passenger seat is fitted. There is no safe place for extra passengers otherwise.
7. Keep children away from the tractor and farm machinery at all times.
8. Do not modify or alter or permit anyone else to modify or alter the tractor or any of its components or any tractor function without first consulting your dealer.
9. Install all guards before starting the engine or operating the tractor.

**DRIVING THE TRACTOR**

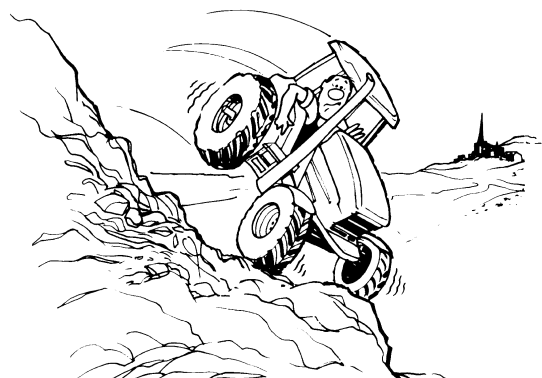
1. Always sit in the driver's seat while starting or driving the tractor.
2. When driving on public roads, have consideration for other road users. Pull to the side of the road occasionally to allow any following traffic to pass. Do not exceed the legal speed limit set in your country for agricultural tractors.
3. Use a rotating beacon when driving on public roads to indicate that the vehicle is slow moving and is a possible hazard.
4. Dip the tractor lights when meeting a vehicle at night. Make sure the lights are adjusted to prevent blinding the driver of an oncoming vehicle.
5. Reduce speed before turning or applying the brakes. Brake both wheels simultaneously when making an emergency stop. Ensure that both brake pedals are locked together when travelling at road speeds or when on public roads to ensure correct operation of trailer brakes, balanced operation of the tractor brakes and four wheel braking (4WD tractors only).



6. On four wheel drive tractors, the drive to the front axle is automatically engaged, to provide four wheel braking, when both footbrakes are applied. Owners should be aware of the effectiveness of four wheel braking which greatly enhances braking performance. Appropriate care should be exercised during fierce braking.
7. Use extreme caution and avoid hard application of the tractor brakes when towing heavy loads at road speeds.



8. Keep the tractor in the same gear when going downhill as would be used when going uphill. Do not coast or freewheel down hills.
9. For safe operation any towed vehicle whose total weight exceeds that of the towing tractor must be equipped with a braking system that complies with the legal requirements of that country.
10. Never apply the differential lock when turning. When engaged, the differential lock will prevent the tractor from turning.
11. Always check overhead clearance, especially when transporting the tractor. Watch where you are going, especially at row ends, on roads and around trees and low overhanging obstacles.
12. To avoid overturns, drive the tractor with care and at speeds compatible with safety, especially when operating over rough ground, when crossing ditches or slopes and when turning corners.



13. Use extreme caution when operating on steep slopes.
14. If the tractor becomes stuck or the tires are frozen to the ground, reverse the tractor out to prevent overturning.

**Buy Now**



Our support email:

[ebooklibonline@outlook.com](mailto:ebooklibonline@outlook.com)