

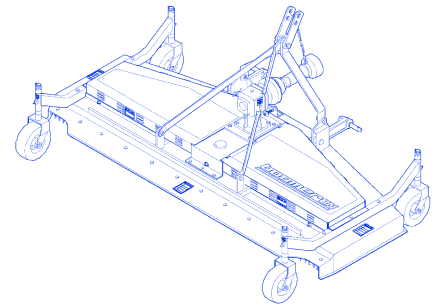
**NEW HOLLAND**

**330GM**

**For Boomer 8N  
Tractor**

84198891 3/09  
1st Printing

# OPERATOR'S MANUAL



---

# TO THE OWNER

This manual contains information concerning the operation, adjustment and maintenance of your New Holland Model 330GM Finish Mower. You have purchased a dependable mower, but only by proper care and operation can you expect to receive the performance and long service built into this mower. Please have all operators read this manual carefully and keep it available for ready reference.

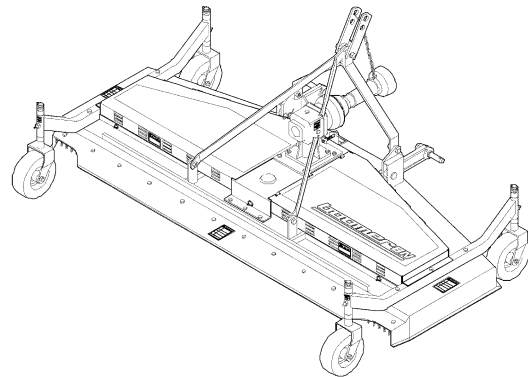
The 330GM Finish Mower is designed to give many years of satisfactory service in grass mowing operations. This mower is not designed to be used for any other purpose.

Your New Holland dealer will instruct you in the general operation of your finish mower. (Refer to the "Delivery Report" at the back of this manual.) Your dealer's staff of factory-trained service technicians will be glad to answer any questions that may arise regarding the operation of your finishing mower deck.

Your New Holland dealer carries a complete line of genuine New Holland service parts. These parts are manufactured and carefully inspected to insure high quality and accurate fitting of any necessary replacement parts. Be prepared to give your dealer the model and PIN number of the mower, when ordering parts. Locate these numbers now and record them below. Refer to the "General Information" section of this manual for the location of the model and PIN numbers of your mower.

Model \_\_\_\_\_

PIN Number \_\_\_\_\_



76091792

---

## ⚠ WARNING ⚠

**This safety alert symbol indicates important safety messages in this manual. When you see this symbol, carefully read the message that follows and be alert to the possibility of personal injury or death.**

M171C

---

## ⚠ WARNING ⚠

**Pictures in this manual may show protective shielding open or removed to better illustrate a particular feature or adjustment.**

**Be certain, however, to close or replace all shielding before operating the machine.**

M1317

---

# IMPROVEMENTS

CNH America LLC is continually striving to improve its products. We reserve the right to make improvements or changes when it becomes practical and possible to do so, without incurring any obligation to make changes or additions to the equipment sold previously.

---

# CONTENTS

SAFETY .....	0-4
GENERAL INFORMATION .....	1-1
OPERATION .....	2-1
LUBRICATION AND MAINTENANCE .....	3-1
REPAIR INFORMATION .....	4-1
SPECIFICATIONS .....	5-1
INDEX .....	5-3
PREDELIVERY CHECKLIST .....	5-5

---

# PRECAUTIONARY STATEMENTS

## PERSONAL SAFETY

Throughout this manual and on machine decals, you will find precautionary statements (“**DANGER**”, “**WARNING**”, and “**CAUTION**”) followed by specific instructions. These precautions are intended for the personal safety of you and those working with you. Please take the time to read them.

---

### **DANGER**

This word “**DANGER**” indicates an immediate hazardous situation that, if not avoided, will result in death or serious injury. The color associated with Danger is RED.

M1169

---

### **WARNING**

This word “**WARNING**” indicates a potentially hazardous situation that, if not avoided, could result in death or serious injury. The color associated with Warning is ORANGE.

M1170

---

### **CAUTION**

This word “**CAUTION**” indicates a potentially hazardous situation that, if not avoided, may result in minor or moderate injury. It may also be used to alert against unsafe practices. The color associated with Caution is YELLOW.

M1171

---

**FAILURE TO FOLLOW THE “DANGER”, “WARNING”, AND “CAUTION” INSTRUCTIONS MAY RESULT IN DEATH OR SERIOUS BODILY INJURY.**

## MACHINE SAFETY

The precautionary statement (“**IMPORTANT**”) is followed by specific instructions. This statement is intended for machine safety.

**IMPORTANT:** *The word “IMPORTANT” is used to inform the reader of something he needs to know to prevent minor machine damage if a certain procedure is not followed.*

## INFORMATION

**NOTE:** *Instructions used to identify and present supplementary information.*

---

# SAFETY

## PRECAUTIONARY STATEMENTS

A careful operator is the best operator. Accidents can be avoided by observing certain safety precautions. Read and understand these precautions before operating the mower. This equipment should be operated by those who have been trained in its safe use.

Carefully review the procedures given in this manual with all operators. It is important that all operators be familiar with and follow safety precautions.

### THE MOWER

Know and understand all mower instructions and Safety Precautions before assembly, service, or operation. Also read and understand all Safety Precautions in the Tractor Operator's Manual.

Keep the tractor and mower in good operating condition at all times.

Always keep all shields and guards securely in place.

Make sure all fastening hardware is properly tightened before operating the tractor and mower.

Keep all Safety Decals clean and free of dirt and grime. Always replace any Safety Decals that become damaged, lost, painted over, or otherwise become illegible. Replace all Safety Decals when repainting the mower.

### MOWER OPERATION

DO NOT permit anyone but the operator to ride on the tractor or mower. There is no safe place on this equipment for passengers.

Clear the area of people, pets, and all visible debris before mowing.

Mow only during daylight hours, or when the area is well lit artificially.

To avoid the possibility of injury from flying debris, NEVER operate the mower raised into the transport position.

Always keep mower discharge directed away from people or animals, which could be injured, and away from objects that could be damaged, by debris thrown by the mowing blades.

Stop and inspect all parts of the mower after striking any foreign object. Repair any damage before resuming mowing operations.

Disengage power to the mower and make sure the area behind the tractor and mower is clear before backing up. Always slow down when backing or turning.

The operator should NEVER leave the tractor seat with the mower blades rotating, with the tractor in motion, or when the tractor engine is running.

Always be alert for vehicle traffic when crossing or mowing near roadways. Avoid bystanders when mowing on or near public facilities.

### THE TRACTOR

Always use an approved Roll Over Protective Structure (ROPS) and Seat Belt for safe operation. Overturning a tractor, without a ROPS, can result in serious injury or death. If your tractor is not equipped with a ROPS and Seat Belt, see your New Holland Dealer.

ALWAYS wear the seat belt on ROPS equipped tractors. DO NOT use a seat belt if the tractor ROPS has been removed.

NEVER allow an open flame near the fuel tank or tractor battery.

WHEN YOU SEE THIS SYMBOL  IT MEANS:

**ATTENTION! BECOME ALERT! YOUR SAFETY IS INVOLVED!**

---

## OPERATING THE TRACTOR AND MOWER

Use the hand holds and step platforms when mounting and dismounting the tractor to prevent falling. Always keep steps and platforms clean and free of mud or other debris.

The operator **MUST** remain in the tractor seat at all times while mowing, transporting, or anytime the tractor engine is running.

**NEVER** start the engine while standing beside the tractor. The operator **MUST** sit in the tractor seat when starting the engine.

**NEVER** run the engine in a closed building without adequate ventilation. Exhaust fumes are very dangerous and can cause permanent injury or death.

Use extreme care when operating on slopes to maintain equipment stability.

Keep the tractor in gear when traveling downhill.

Install tractor wheel weights to increase stability when operating on slopes. Consult your New Holland Dealer on ballasting requirements for your equipment.

To avoid loss of control, and to prevent over-turning the tractor and mower, always mow up and down slopes, never across. **DO NOT** operate on steep slopes.

Always bring the tractor to a complete stop, lower the mower deck to ground contact, disengage power to the mower, set the parking brake, shut off the engine and remove the key, before dismounting from the tractor.

**NEVER** park the tractor on an incline.

## SERVICING THE MOWER

Keep the tractor and mower clean. Grease, dry debris and grass buildup can cause fires, damaging the equipment and causing serious injury to yourself or others.

Check for and replace or repair missing, loose, or damaged parts on the mower. A defective mower could cause injury to another operator who is unaware of a potential problem.

To avoid injury, do not clean, adjust, unclog, or service the mower when the engine is running.

Do not work under the raised tractor or mower deck unless it is securely supported by a hoist, floor jack and jackstands.

Make sure all hoists, floor jacks and jackstands are in good working order and have sufficient capacity to support the elevated equipment, before repair, adjustment, or lubrication of the tractor or mower.

Inspect the mowing blade retainer nuts daily, or whenever a blade has been removed. Torque is 200 - 210 N·m (148 to 155 lb ft). These nuts have right hand threads.

To avoid injury when handling mowing blades, wear leather gloves, or wrap the blades in the area where they will be held.

Do not modify or alter or permit anyone else to modify or alter the mower, or any of its components or operating functions. If in doubt on modifications, see your New Holland Dealer.

WHEN YOU SEE THIS SYMBOL  IT MEANS:

**ATTENTION! BECOME ALERT! YOUR SAFETY IS INVOLVED!**

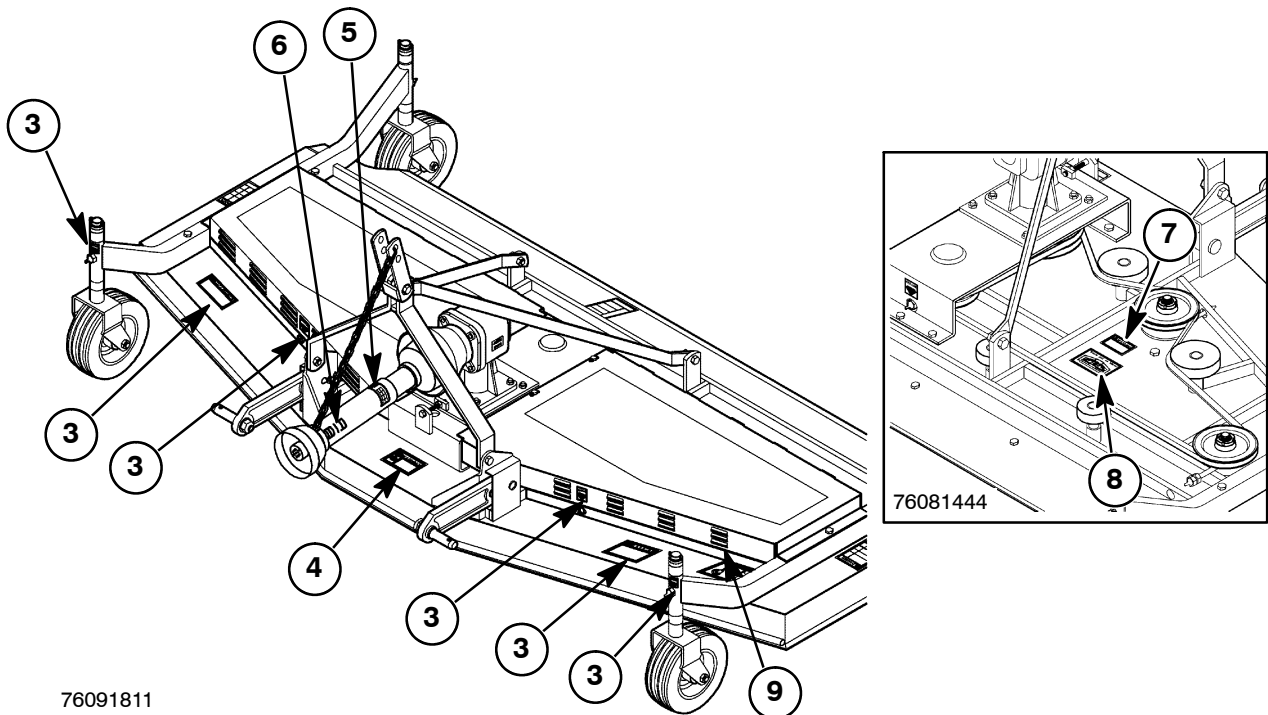
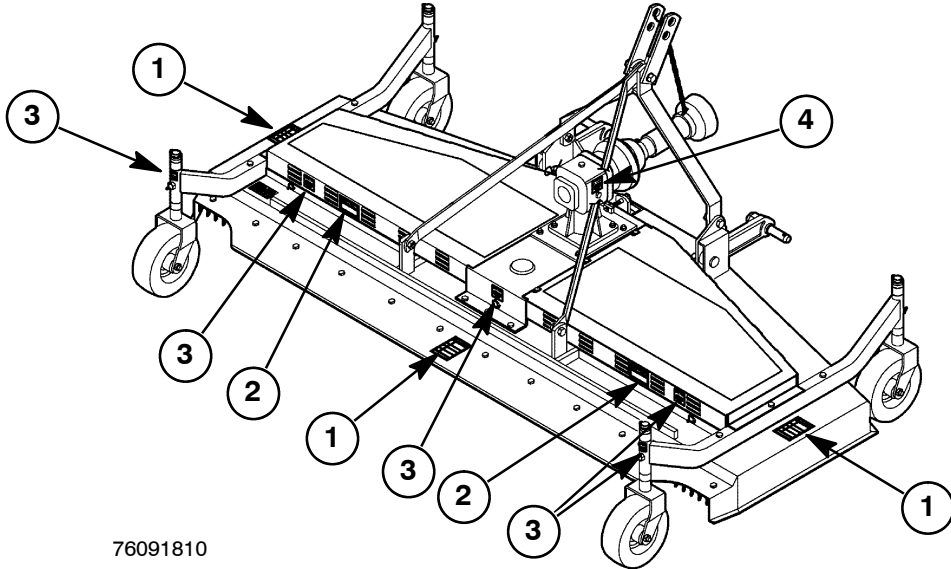
## SAFETY DECALS

The following safety decals have been placed on your mower in the areas indicated. They are intended for your personal safety and for those working with you. Please take this manual and walk around your mower to note the content and location of these warning signs. Review these signs and operating

instructions detailed in this manual with your mower operators.

Keep the decals legible. If they are not, obtain replacements from your authorized dealer. The decal replacement part numbers are listed with each decal.

### DECAL LOCATIONS



**SAFETY DECALS**

1



Decal: **DANGER**  
 Part No: SIT001404 (3 decals)  
 Location: Top of deck, left side, right side and rear.

2



Decal: **WARNING**  
 Part No: SIT001405 (2 decals)  
 Location: Backside of belt cover shield

3



Decal: **WARNING**  
 Part No: SIT 001408 (2 decals)  
 Location: Top of deck, towards the front, left and right side.

4



Decal: **WARNING**  
 Part No: SIT 001409  
 Location: Top of deck, on the front end of deck.



5



Decal: **DANGER**  
 Part No: SIT 001411  
 Location: Mower end of PTO shaft

6



Decal: **DANGER**  
 Part No: 849472G  
 Location: Tractor end of PTO shaft

7



Decal: **WARNING**  
 Part No: SIT 001407  
 Location: Under belt cover shield, left and right sides.

**Buy Now**



Our support email:

[ebooklibonline@outlook.com](mailto:ebooklibonline@outlook.com)