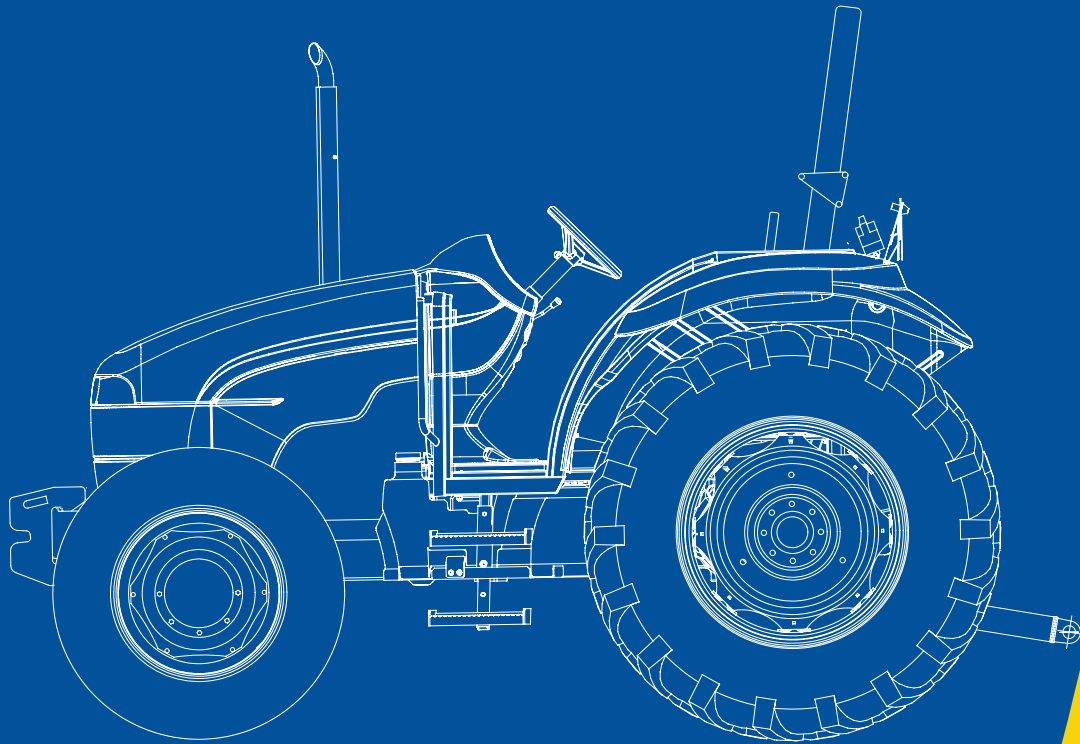


OPERATOR'S MANUAL

TS6020

TS6030

TS6030HC



Print No. 84279727

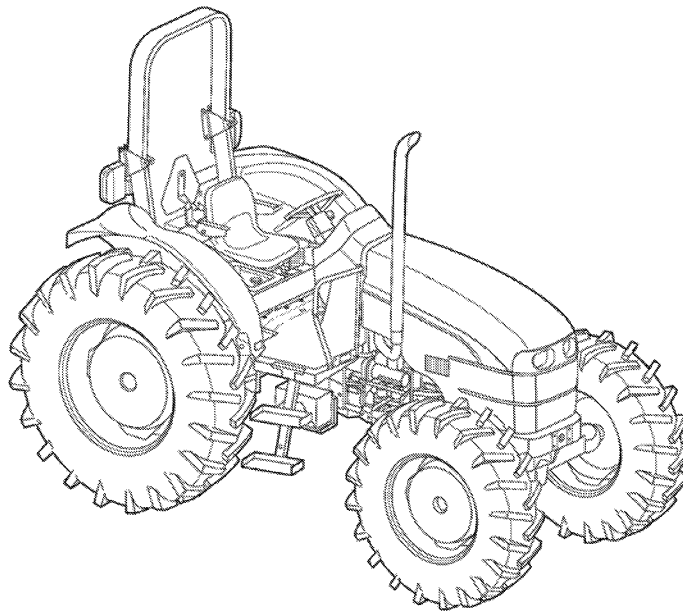
Replaces Print No. 73335418

English 02/10

 **NEW HOLLAND**
AGRICULTURE



OPERATOR'S MANUAL



TS6020
TS6030 HC
TS6030

Contents

1 GENERAL INFORMATION

Safety rules and signal word definitions	1-1
Note to the Owner	1-2
Legal advice	1-2
Foreword - Ecology And The Environment	1-3
Delivery Report- Dealer Copy	1-4
Delivery Report- Owner Copy	1-5
Machine identification	1-6
Protective shield - Safety rules	1-7
Product overview	1-9

2 SAFETY INFORMATION

General safety rules	2-1
Basic operating safety rules	2-2
Battery safety	2-3
Driving on public roads	2-3
Electrical storm safety	2-4
Fire prevention	2-4
General maintenance safety rules	2-5
Hazardous chemicals	2-6
Implements, tools and trailers	2-6
Mounting and dismounting precautions	2-7
Operator presence system	2-7
PTO operation safety rules	2-7
Roll over and tip over precautions	2-8
Utility safety	2-8
Wheel and tire safety	2-9
Decals	2-10
General specification - Biodiesel Fuels	2-15
International symbols	2-16

3 CONTROLS/INSTRUMENTS

ACCESS TO OPERATOR'S PLATFORM

Step and ladder - Access/Exit	3-1
-------------------------------------	-----

OPERATOR'S SEAT

Operator seat adjustments	3-2
Seat belt - Operating	3-3

FORWARD CONTROLS

Instrument panel	3-4
Instrument panel - Control identification	3-5
Floor - Control Foot controls	3-6

LH SIDE CONTROLS

PTO clutch - Control identification	3-7
Parking brake	3-7

RH SIDE CONTROLS

Transmission controls	3-9
-----------------------------	-----

Hydraulic controls	3-10
EXTERIOR CONTROLS	
Remote control valves	3-11
4 OPERATING INSTRUCTIONS	
COMMISSIONING THE UNIT	
Note to the Owner	4-1
Run in period of a new machine	4-2
Roll Over Protective Structure (ROPS) - adjustments.....	4-3
Instrument panel - Operating	4-5
General transmission operation	4-10
Differential lock command - Operating	4-14
Hydraulic System	4-15
Hydraulic control valves	4-16
Operating double acting hydraulic cylinders.....	4-18
Operating continuous flow hydraulic equipment.....	4-19
Drawbar capacity/position	4-20
Three point linkage system.....	4-23
Rear PTO operating	4-26
STARTING THE UNIT	
Starting the engine	4-30
Engine starting aids	4-32
STOPPING THE UNIT	
Driving and stopping the tractor	4-33
MOVING THE UNIT	
STEERING - Control	4-34
5 TRANSPORT OPERATIONS	
ROAD TRANSPORT	
Basic instructions.....	5-1
RECOVERY TRANSPORT	
Towing the tractor.....	5-2
6 WORKING OPERATIONS	
GENERAL INFORMATION	
Tire condition and air pressure	6-1
Tire load and inflation charts	6-2
Tractor ballasting	6-8
Liquid Ballast	6-10
Front wheel alignment.....	6-11
Rear wheel tread settings	6-15
7 MAINTENANCE	
GENERAL INFORMATION	
Maintenance and Service Schedule.....	7-1
First 50 Hour Service	7-3
Fueling the machine	7-4
Opening, closing, or removing protective shields for service.....	7-5

Service Air Filter If Warning Lamp Is On	7-7
Every 10 Hours of Operation or Daily (Whichever Occurs First)	7-8
Every 50 hours	7-10
Every 300 hours	7-15
Every 600 hours	7-18
Every 1200 hours or annually	7-20
Every 1200 hours or two years	7-22
General service (perform if necessary).....	7-24
First 50 hours of tractor operation	7-29
Mandatory 300 hour service	7-31
Mandatory 600 hour service	7-32
Mandatory 900 hour service	7-33
Mandatory 1200 hour service	7-34
Mandatory 1500 hour service	7-35

STORAGE

Preparing for storage	7-36
Preparation for use after Storage.....	7-37

8 SPECIFICATIONS

General dimensions	8-1
Engine specifications	8-2
Engine coolant specifications.....	8-2
Available transmissions	8-2
Maximum Side Slope Operation.....	8-3
PTO (power take off) specifications	8-3
Hydraulic system general specifications	8-3
Three point linkage general specifications	8-4
Remote control valve specifications	8-4
Brake specifications	8-4
Steering general specifications.....	8-4
Electrical system specification.....	8-5
Lubrication and Hydraulic Oil Capacities	8-5
Lubrication and oil specifications	8-6

1 - GENERAL INFORMATION

Safety rules and signal word definitions

Personal safety



This is the safety alert symbol. It is used to alert you to potential personal injury hazards. Obey all safety messages that follow this symbol to avoid possible death or injury.

Throughout this manual and on machine decals, you will find the signal words Danger, Warning, and Caution followed by special instructions. These precautions are intended for the personal safety of you and those working with you.

Read and understand all the safety messages in this manual before you operate or service the machine.



DANGER indicates a hazardous situation which, if not avoided, will result in death or serious injury. The color associated with Danger is RED.

M1169A



WARNING indicates a hazardous situation which, if not avoided, could result in death or serious injury. The color associated with Warning is ORANGE.

M1170A



CAUTION, used with the safety alert symbol, indicates a hazardous situation which, if not avoided, could result in minor or moderate injury. The color associated with Caution is YELLOW.

M1171A

FAILURE TO FOLLOW DANGER, WARNING, AND CAUTION MESSAGES COULD RESULT IN DEATH OR SERIOUS INJURY.

Machine safety

NOTICE: Notice indicates a situation which, if not avoided, could result in machine or property damage. The color associated with Notice is BLUE.

Throughout this manual you will find the signal word Notice followed by special instructions to prevent machine or property damage. The word Notice is used to address practices not related to personal safety.

Information

NOTE: Note indicates additional information which clarifies steps, procedures, or other information in this manual.

Throughout this manual you will find the word Note followed by additional information about a step, procedure, or other information in the manual. The word Note is not intended to address personal safety or property damage.

Note to the Owner

This manual contains information concerning the adjustment and maintenance of your new equipment. You have purchased a dependable machine, but only by proper care and operation can you expect to receive the performance and long service built into this equipment. Please have all operators read this manual carefully and keep it available; ready for reference.

Your NEW HOLLAND dealer will instruct you in the general operation of your new machine. Your dealer's staff of factory-trained service technicians will be glad to answer any questions that may arise regarding the operation and service of your machine. Upon delivery of your machine, work with your dealer to complete both delivery reports on pages 1-4 and 1-5.

Your NEW HOLLAND dealer carries a complete line of genuine NEW HOLLAND service parts. These parts are manufactured and carefully inspected to ensure high quality and proper attachment of any necessary replacement parts. Be prepared to provide your dealer the model and product identification number of your machine when ordering parts (refer to your completed delivery report or the machine identification decals).

⚠ WARNING ⚠

Some illustrations in this manual show shields opened or removed to display areas being serviced. Replace all shields before operating the machine. Failure to comply could result in death or serious injury.

M1213

IMPROVEMENTS

CNH America LLC is continually striving to improve its products. We reserve the right to make improvements or changes when it becomes practical and possible to do so, without incurring any obligation to make changes or additions to the equipment sold previously.

Legal advice

**CALIFORNIA
PROPOSITION 65 WARNING**

Diesel engine exhaust and some of its constituents are known to the State of California to cause cancer, birth defects, and other reproductive harm.

Battery post, terminals and related accessories contain lead and lead compounds.

Wash hands after handling

BT09A213 1

Foreword - Ecology And The Environment

Soil, air, and water are vital factors of agriculture and life in general. When legislation does not yet rule the treatment of some of the substances which are required by advanced technology, common sense should govern the use and disposal of products of a chemical and petrochemical nature.

NOTE: *The following are recommendations which may be of assistance:*

- Become acquainted with and ensure that you understand the relative legislation applicable to your country.
- Where no legislation exists, obtain information from suppliers of oils, filters, batteries, fuels, antifreeze, cleaning agents, etc., with regard to their effect on man and nature and how to safely store, use and dispose of these substances.
- Agricultural consultants will, in many cases, be able to help you as well.

HELPFUL HINTS

- Avoid filling tanks using cans or inappropriate pressurized fuel delivery systems which may cause considerable spillage.
- In general, avoid skin contact with all fuels, oils, acids, solvents, etc. Most of them contain substances which may be harmful to your health.
- Modern oils contain additives. Do not burn contaminated fuels and or waste oils in ordinary heating systems.
- Avoid spillage when draining off used engine coolant mixtures, engine, gearbox and hydraulic oils, brake fluids, etc. Do not mix drained brake fluids or fuels with lubricants. Store them safely until they can be disposed of in a proper way to comply with local legislation and available resources.
- Modern coolant mixtures, i.e. antifreeze and other additives, should be replaced every two years. They should not be allowed to get into the soil but should be collected and disposed of properly.
- Repair any leaks or defects in the engine cooling or hydraulic system immediately.
- Do not increase the pressure in a pressurized circuit as this may lead to a component failure.
- Protect hoses during welding as penetrating weld splatter may burn a hole or weaken them, allowing the loss of oils, coolant, etc.

Delivery Report- Owner Copy

Delivery Date _____			
Owner's Name _____			
Address _____			
Dealer's Name _____			
Address _____			
Unit:	Model	Product Identification Number	_____
Engine:	Model	Product Identification Number	_____
Attachment:	Model	Product Identification Number	_____
	Model	Product Identification Number	_____
	Model	Product Identification Number	_____

Using the operator's manual as a guide, instruction was given as indicated by the check marks.

- Safety precautions and practice
- Lubrication points and schedule
- Maintenance areas, adjustments, and schedule
- Field adjustments for various crop conditions
- Operation
- Use of optional equipment
- Preseason service
- End-of-season service
- Proper use of operator's manual
- Customer given operator's manual
- All safety shielding is installed

Dealer Representative's Signature _____

"I have been instructed in the operation, maintenance, and safety features of this machine as detailed in the operator's manual."

Owner's Signature _____

Protective shield - Safety rules

⚠ WARNING ⚠

Some illustrations in this manual show shields opened or removed to display areas being serviced. Replace all shields before operating the machine. Failure to comply could result in death or serious injury.

M1213

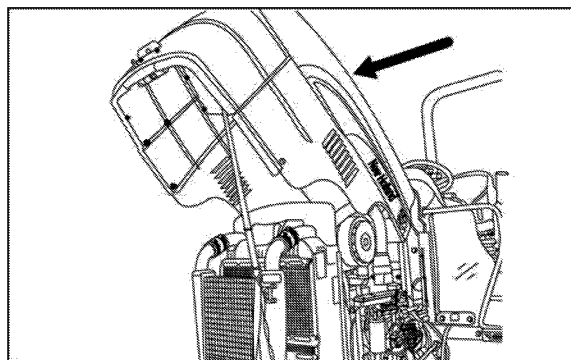
⚠ WARNING ⚠

Whenever a PTO driven machine is in operation, the PTO guard must be in place for most operations to prevent injury to the operator or bystanders. Where attachments, such as pumps, are installed on the PTO shaft (especially if the tractor PTO guard is moved upward or removed), extended shielding equivalent to the PTO guard must be installed with the attachment. Install the PTO guard to its original position immediately when the attachment is removed. Failure to comply could result in death or serious injury.

M273B

Engine hood

The engine hood covers all engine moving parts. The hood should always be closed and locked before operating the machine.

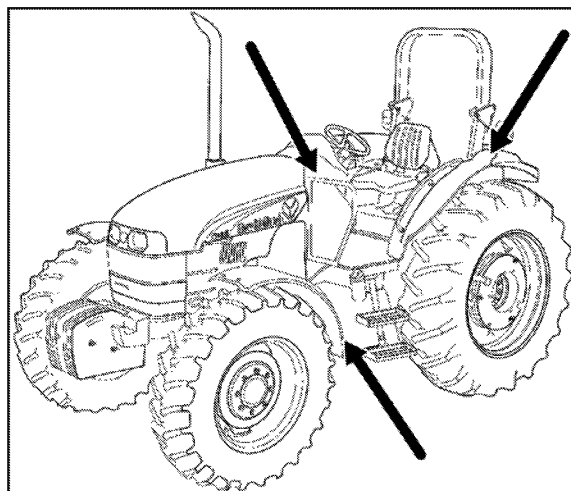


RCPH09TTS085AAD 1

User platform fenders and shields

Fenders and shields provide some user platform protection from stones or dirt that may be dislodged and tossed during tractor operation.

NOTE: Front fenders are optional and not standard equipment on tractors.



RCPH09TTS005AAD 2

Thank you so much for reading.
Please click the “Buy Now!”
button below to download the
complete manual.



After you pay.

You can download the most
perfect and complete manual in
the world immediately.

Our support email:

ebooklibonline@outlook.com