

ORIGINAL INSTRUCTIONS

**PUMA 170 / 170 CVT**  
**PUMA 185 / 185 CVT**  
**PUMA 200 / 200 CVT**  
**PUMA 215 / 215 CVT**  
**PUMA 230 CVT**  
Tractors

OPERATOR'S MANUAL

**Part Number 84361620**

1st edition English  
December 2010



---

# TO THE OWNER

This manual contains information concerning the adjustment and maintenance of your Case IH Puma 170, Puma 185, Puma 200, Puma 215, and Puma 230 Tractor. You have purchased a dependable machine, but only by proper care and operation can you expect to receive the performance and long service built into this tractor. Please have all operators read this manual carefully and keep it available for ready reference.

This machine was designed to power and propel itself. It is intended to load and move materials with a variety of buckets and forks. Allied attachments built and supplied by other manufacturers can be used on the tractor where recommended and approved by Case IH.

Your Case IH dealer will instruct you in the general operation of your tractor. (Refer to the "Delivery Report" at the back of this manual.) Your dealer's staff of factory-trained service technicians will be glad to answer any questions that may arise regarding the operation of your tractor.

Your Case IH dealer carries a complete line of genuine CNH Parts & Service. These parts are manufactured and carefully inspected to insure high quality and accurate fitting of any necessary replacement parts. Be prepared to give your dealer the model and PIN number of the engine and tractor, when ordering parts. Locate these numbers now and record them below. Refer to the "General Information" section of this manual for the location of the model and PIN numbers of your tractor.

Model \_\_\_\_\_ Engine Model \_\_\_\_\_  
PIN Number \_\_\_\_\_ Engine Serial Number \_\_\_\_\_

# IMPROVEMENTS

CNH America LLC is continually striving to improve its products. We reserve the right to make improvements or changes when it becomes practical and possible to do so, without incurring any obligation to make changes or additions to the equipment sold previously.

---

# CONTENTS

## Section 0

To the Owner .....	0-1
Improvements .....	0-1
Contents .....	0-3
California Emission Control Warranty Statement .....	0-6

## Section 1

General Information and Safety .....	1-1
To the Owner .....	1-1
Product Identification .....	1-3
Ecology and the Environment .....	1-7
Safety Precautions .....	1-8
Fire or Explosion Prevention .....	1-14
Diesel and Bio-Diesel Fuel .....	1-17
Operator Protective Structure .....	1-18
Safety Decals .....	1-20
International Symbols .....	1-30
Airborne Noise Emission .....	1-25
Selective Catalytic Reduction .....	1-31

## Section 2

General Information, Controls and Instruments .....	2-1
Switch Panels .....	2-2
Cab .....	2-5
Electrical Power Connectors .....	2-22
Seats .....	2-24
Steering Column Controls .....	2-31
Integrated Control Unit .....	2-35
ICU Display Screens .....	2-40
Enhanced Keypad and Performance Monitor (Where Fitted) .....	2-49
Warning and Advisory Symbols .....	2-60
Brake Controls and Operation .....	2-67
Full Powershift Transmission .....	2-72
CVT Transmission .....	2-96
Differential Lock .....	2-111
Four Wheel Drive .....	2-113
Front Axle Suspension (Where Fitted) .....	2-116

---

### Section 3

Field Operation - important information .....	3-1
Starting the Engine .....	3-7
Reversible Engine Fan (Where Fitted) .....	3-12
Power Management .....	3-13
Constant Engine Speed .....	3-15
End of Row Feature .....	3-18
Turn Assist (Where Fitted) .....	3-31
Rear Power Take-Off .....	3-33
Front PTO and 3-Point Hitch (Where Fitted) .....	3-48
Electronic Hitch Control .....	3-67
Hydraulic Remote Control Valves (Where Fitted) .....	3-80
Electro-Hydraulic Remote EHR Valves (Where Fitted) .....	3-89
Hydraulic Power Beyond Port for External Services .....	3-108
Three-Point Hitch .....	3-115
Trailer Braking Systems (Where Fitted) .....	3-125
Front Wheel Track Adjustment .....	3-126
Steerable Front Fenders (Where Fitted) .....	3-131
Rear Wheel Track Adjustment (Flange Type Axle - Where Fitted) .....	3-133
Ballasting and Tires .....	3-144

### Section 4

Lubrication and Maintenance .....	4-1
Fueling the Tractor .....	4-4
Protective Guards .....	4-9
Lubricants and Coolants .....	4-12
Lubricant and Coolant Specification .....	4-13
Lubrication and Maintenance Chart .....	4-14
When the Warning Symbol Appears .....	4-16
Every 10 Hours of Operation or Daily (Whichever Occurs First) .....	4-18
Every 50 Hours Complete the Preceding Operations Plus the Following .....	4-20
Every 300 Hours Carry Out the Preceding Checks Plus the Following .....	4-31
Every 600 Hours Carry Out the Preceding Checks Plus the Following .....	4-35
Every 1200 Hours or 12 Months (Whichever Occurs First) Carry Out the Preceding Checks Plus the Following .....	4-45
Every 1200 Hours or 24 Months (Whichever Occurs First) Carry Out the Preceding Checks Plus the Following .....	4-54
Every 36 Months Carry Out the Following .....	4-60
General Maintenance (to be Performed as and When Required) .....	4-61

---

**Section 5**

Fault Finding ..... 5-1  
Introduction ..... 5-1  
Engine ..... 5-4  
Transmission ..... 5-8  
Hydraulics ..... 5-9  
Three-point Hitch ..... 5-10  
Brakes ..... 5-11  
Cab ..... 5-11  
Electrical System ..... 5-12

**Section 6**

Accessories ..... 6-1

**Section 7**

Specifications ..... 7-1  
Minimum Hardware Tightening Torques ..... 7-20

**Section 8**

First 50 Hour Service ..... 8-1  
Check and Adjust, As Required (Dealer's Copy) ..... 8-1  
Service Performed ..... 8-1  
First 50 Hour Service ..... 8-3  
Check and Adjust, As Required (Owner's Copy) ..... 8-3  
Service Performed ..... 8-3

**Section 9**

Index ..... 9-1

---

**(North America Only)  
(California Only)**

**CALIFORNIA  
Proposition 65 Warning**

**Diesel engine exhaust and some of its constituents are known to the State of California to cause cancer, birth defects, and other reproductive harm.**

**Battery posts, terminals and related accessories contain lead and lead compounds, chemicals known to the State of California to cause cancer and birth defects or other reproductive harm. Wash hands after handling.**

---

# SECTION 1

## GENERAL INFORMATION AND SAFETY

### TO THE OWNER

#### GENERAL

This Manual has been prepared to assist you in the correct procedure for running-in, driving and operating and for the maintenance of your new tractor. Read this Manual carefully. Your tractor is intended for use in normal and customary agricultural applications.

If at any time you require advice concerning your tractor, do not hesitate to contact your authorized dealer. He has factory trained personnel, genuine manufacturers' parts and the necessary equipment to carry out all your service requirements.

Your tractor has been designed and built to give maximum performance, economy and ease of operation under a wide variety of operating conditions. Prior to delivery, the tractor was carefully inspected, both at the factory and by your dealer to ensure that it reaches you in optimum condition. To maintain this condition and ensure trouble-free operation, it is important that the routine services, as specified in Section 4 of this Manual, are carried out at the recommended intervals.

#### OPERATORS MANUAL STORAGE

A storage pocket for the Operators Manual can be found on the rear of the seat. The manual should be kept in this pocket at all times when not in use.

#### SAFETY

Pages 1-9 to 1-18 inclusive list the precautions to be observed to ensure your safety and the safety of others. Read the safety precautions and follow the advice offered **before** operating the tractor.

#### CLEANING THE TRACTOR

Your tractor is a state-of-the-art machine with sophisticated, electronic controls. This should be taken into consideration when cleaning the tractor, particularly if using a high pressure washer. Even though every precaution has been taken to safeguard electronic components and connections, the pressure generated by some of these machines is such that complete protection against water ingress cannot be guaranteed.

When using a high pressure washer, do not stand too close to the tractor and avoid directing the jet at electronic components, electrical connections, breathers, seals, filler caps, etc. Never direct a cold water jet at a hot engine or exhaust.

#### ELECTRO-MAGNETIC INTERFERENCE (EMC)

This tractor complies strictly with the European Regulations on electro-magnetic emissions. However, interference may arise as a result of add-on equipment which may not necessarily meet the required standards. As such interference can result in serious malfunction of the unit and/or create unsafe situations, you must observe the following:

- Ensure that each piece of non-Case IH equipment fitted to the tractor bears the CE mark.
- The maximum power of emission equipment (radio, telephones, etc.) must not exceed the limits imposed by the national authorities of the country where you use the tractor.
- The electro-magnetic field generated by the add-on system should not exceed 24 V/m at any time and at any location in the proximity of electronic components.

Failure to comply with these rules will render the Case IH warranty null and void.

### **FIRST 50 HOUR SERVICE**

In Section 8, at the back of this Manual, you will find the 50-hour service reports.

*It is important the 50 hour service is carried out as recommended to ensure your tractor provides optimum performance and efficiency.*

After you have operated the tractor for 50 hours, take your tractor, together with this Manual, to your dealer. He will then perform the factory recommended 50 hour service and complete the service report sheets (pages 8-1 and 8-3). The first sheet (page 8-1) is the dealer's copy and should be removed by the dealer after the service has been carried out. The second sheet (page 8-3) is your copy of the service performed. **Ensure that you and the dealer sign both copies.**

### **SERVICE PARTS**

It should be pointed out that genuine parts have been examined and approved by Case IH. The installation and/or use of 'non-genuine' products could have negative effects upon the design characteristics of your tractor and thereby affect it's safety. Case IH is not liable for any damage caused by the use of 'non-genuine' parts and accessories. Only genuine Case IH replacement parts should be used. The use of non-genuine parts may invalidate legal approvals associated with this product.

It is prohibited to carry out any modifications to the tractor unless specifically authorized, in writing, by the After Sales Service department of Case IH.

### **WARRANTY**

Your tractor is warranted according to legal rights in your country and the contractual agreement with the selling dealer. No warranty shall, however, apply if the tractor has not been used, adjusted and maintained according to the instructions given in the Operator's Manual.

### **USE OF BIODIESEL FUELS**

*Before using Biodiesel fuels in your tractor, refer to the information on page 4-4 regarding the storage and use of Biodiesel fuels.*

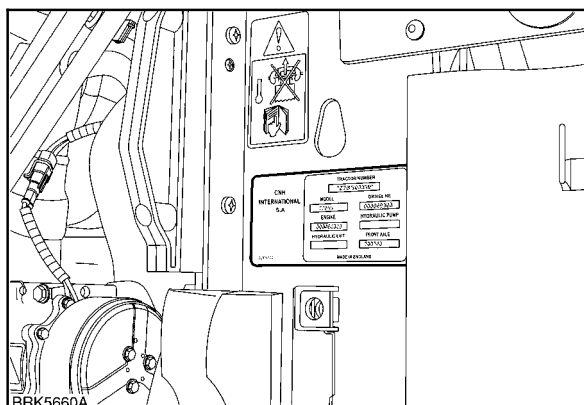


**PRODUCT IDENTIFICATION**

The tractor and major components are identified using product identification numbers and/or manufacturing codes.

Tractor identification data must be supplied to the dealer when requesting parts or service and will also be needed to aid in identifying the tractor if it is ever stolen.

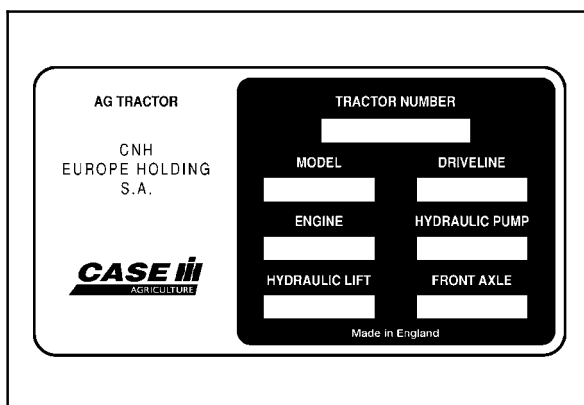
The following provides the locations of the identification data.



1

**Vehicle Identification Plate**

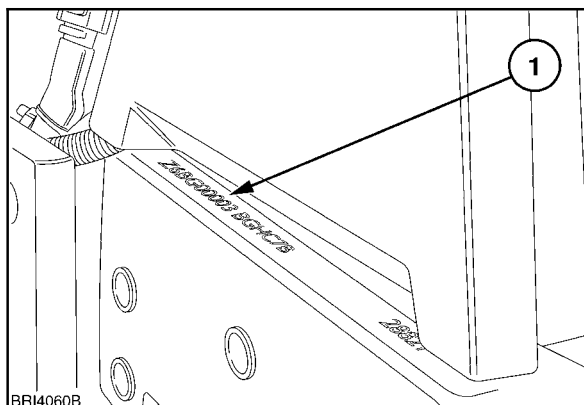
The vehicle identification plate, Figure 1, is located on the right-hand radiator support. Record the information on the sample identification plate.



2

**Tractor Product Identification Number**

The product identification number and model identification information is stamped on the right-hand side of the front support (1). These numbers are also repeated on the vehicle identification plate reproduced above.



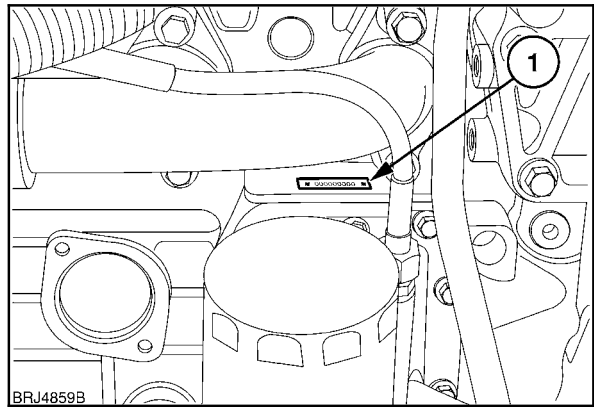
3

SECTION 1 - GENERAL INFORMATION AND SAFETY

**Engine Identification**

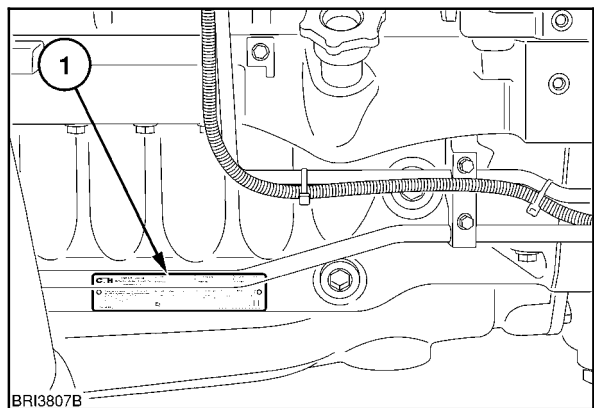
The engine product identification number (PIN) and date of manufacture are stamped on the right-hand side of engine block (1), below the manifold. Record the number below.

Engine PIN: \_\_\_\_\_



4

The details are repeated on the information plate located on the left side of the engine oil pan.



5

Further information relating to engine adjustments and emission level compliance are also shown on the engine information plate.

**NOTE:** The details displayed on the engine information plate may change according to the country in which the tractor is sold.

FPPT EMISSION CONTROL INFORMATION				ENGINEERED BY FPPT ENGINE MADE IN ITALY	
ENGINE FAMILY	<input type="text"/>	MODEL	<input type="text"/>	MANUFACTURE DATE (mm-yy)	<input type="text"/>
DISPLACEMENT	<input type="text"/> L	ADVERTISED POWER	<input type="text"/> kW/gpm	POWER CATEGORY	<input type="text"/>
THIS ENGINE COMPLIES WITH U.S. EPA REGULATION FOR NON ROAD AND STATIONARY DIESEL ENGINES AND CALIFORNIA REGULATION FOR MODEL YEAR NON ROAD DIESEL ENGINES				MODEL YEAR	<input type="text"/>
THIS ENGINE IS CERTIFIED TO OPERATE ON: ULTRA LOW SULFUR FUEL ONLY					
ECS:	<input type="text"/>	DELEGATED ASSEMBLY			
				ENGINE TYPE	<input type="text"/>
				SERIAL NUMBER	<input type="text"/>
				(E3)	<input type="text"/>
				Ud	
				Ua	Ub Uc

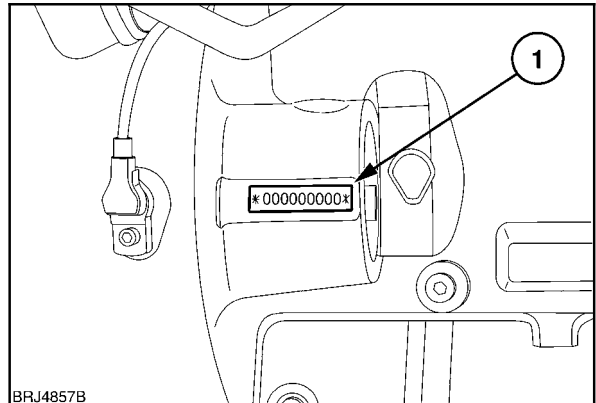
SECTION 1 - GENERAL INFORMATION AND SAFETY

**Driveline Identification**

**Full Powershift Transmission**

The product identification number plate (1) is located on the right-hand side of the transmission casing behind the battery carrier. This number is repeated on the vehicle identification plate and should be recorded below for quick reference.

Driveline PIN: \_\_\_\_\_



BRJ4857B

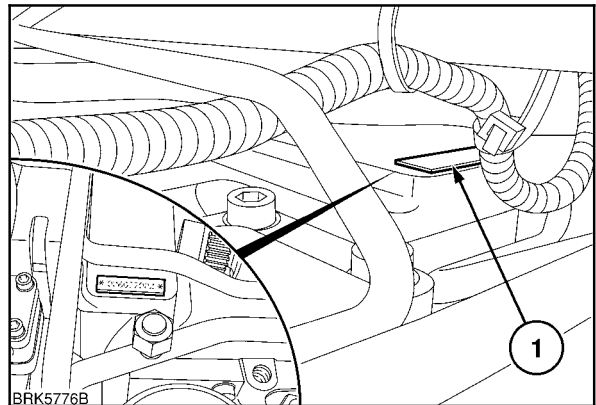
6

**CVT Transmission**

A product identification number plate (1) is located on top of the transmission casing on the right-hand side of the tractor.

The plate can be found adjacent to the rear of the hydrostatic drive unit. This number is repeated on the vehicle identification plate and should be recorded below for quick reference.

Driveline PIN: \_\_\_\_\_



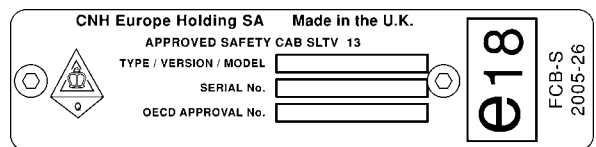
BRK5776B

7

**Cab Identification**

The cab product identification number and other information is on the OECD certification plate. This plate can be found on the right-hand side of the cab trim panel, below the rear window. Record the cab serial number below for quick reference.

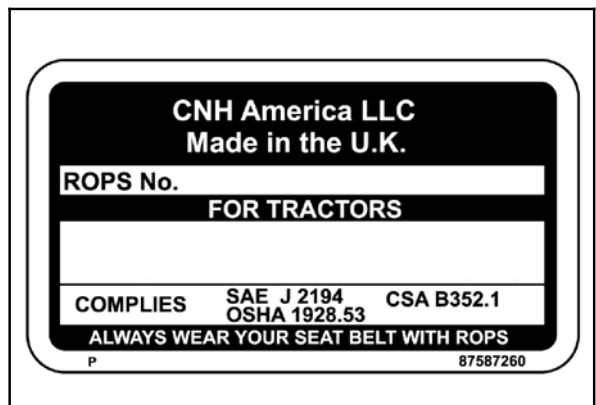
Cab PIN: \_\_\_\_\_



8

**ROPS identification plate**

The ROPS identification plate can be found on the right-hand side of the cab trim panel, below the rear window.



9

SECTION 1 - GENERAL INFORMATION AND SAFETY

---

**Buy Now**



Our support email:

[ebooklibonline@outlook.com](mailto:ebooklibonline@outlook.com)