

**Steiger<sup>®</sup> 400**

**Steiger<sup>®</sup> 450**

**Steiger<sup>®</sup> 500**

**Steiger<sup>®</sup> 550**

**Steiger<sup>®</sup> 600**

**Quadtrac<sup>®</sup> 450**

**Quadtrac<sup>®</sup> 500**

**Quadtrac<sup>®</sup> 550**

**Quadtrac<sup>®</sup> 600**

**Tier 2**  
Tractor

# OPERATOR'S MANUAL

**Part number 84384655**

1st edition English

March 2011



# Contents

---

## 1 GENERAL INFORMATION

Read the Operators Manual .....	1-1
Engine tampering .....	1-1
CNH America LLC technical manuals .....	1-2
Your tractor .....	1-3
Noise level .....	1-4
Vehicle vibration levels .....	1-5
Note to the Owner .....	1-6
Tractor intended use .....	1-6
Manual storage .....	1-7
Product identification .....	1-8
Component location .....	1-12

## 2 SAFETY INFORMATION

Safety rules and signal word definitions .....	2-1
Safety rules - General .....	2-2
Safety rules - Mounting and dismounting .....	2-3
Safety rules - Implements, tools and trailers .....	2-3
Safety rules - Instructional seat .....	2-4
Safety rules - Wheels and tires .....	2-4
Safety rules - Fire prevention .....	2-5
Safety rules - Fire extinguisher .....	2-5
Safety rules - PTO operation .....	2-6
Safety rules - General maintenance .....	2-7
Safety rules - Battery .....	2-8
Safety rules - Basic operating .....	2-9
Safety rules - Hazardous chemicals .....	2-10
Safety rules - Air conditioning system .....	2-10
Safety rules - Operator presence system .....	2-10
Safety rules - Roll over and tip over .....	2-11
Safety rules - Electrical storm safety .....	2-11
Safety rules - Driving on public roads .....	2-12
Safety rules - Utility power lines .....	2-12
Safety rules - Hydraulic system safety .....	2-13
ROPS and FOPS .....	2-14
Hazardous substances .....	2-15
Emergency exit .....	2-15
Safety decals .....	2-16
Articulation cylinder locking blocks .....	2-25

## 3 CONTROLS/INSTRUMENTS

### OPERATOR'S SEAT

Overview .....	3-1
Control identification .....	3-2

---

## INSTRUCTOR'S SEAT

Overview .....	3-5
----------------	-----

## FORWARD CONTROLS

Steering column .....	3-7
Front console .....	3-10
Pedal controls .....	3-11
Ventilation .....	3-12
Front sun shade .....	3-13

## RIGHT-HAND SIDE CONTROLS

Armrest console .....	3-14
Multi Function Handle .....	3-14
Control panel .....	3-18
Remote valve controls .....	3-25
Joystick .....	3-26
Armrest compartment .....	3-27
Adjusting the armrest console .....	3-29

## REARWARD CONTROLS

Rear sun shade .....	3-30
----------------------	------

## OVERHEAD CONTROLS

Overview .....	3-31
Automatic temperature controls .....	3-33
Automatic temperature control system .....	3-37
Center panel controls .....	3-39
Radio (if equipped) .....	3-43
Interior and access lights .....	3-43

## EXTERIOR CONTROLS

Exterior hitch control .....	3-46
------------------------------	------

## INSTRUMENT CLUSTER

Overview .....	3-47
Gauges .....	3-47
Status and warning icons .....	3-48
Upper display .....	3-51
Lower display .....	3-52
Keypad .....	3-54
Instrumentation - setup menu .....	3-56
Instrumentation - adjust menu .....	3-63
Performance instrumentation .....	3-70

## 4 OPERATING INSTRUCTIONS

### COMMISSIONING THE UNIT

---

Before starting the engine .....	4-1
----------------------------------	-----

## STARTING THE UNIT

Normal engine starting .....	4-5
Cold temperature operation .....	4-7

## STOPPING THE UNIT

Stopping the engine .....	4-9
---------------------------	-----

## MOVING THE UNIT

Powershift transmission .....	4-11
Automatic productivity management (APM) .....	4-19
Differential lock system .....	4-28
Constant engine speed .....	4-29
Electronic end of row system .....	4-32
Engine compression brake (if equipped) .....	4-42

## 5 TRANSPORT OPERATIONS

### ROAD TRANSPORT

Tractor warning lamps .....	5-1
Operating the tractor warning lamps .....	5-3
Safe transport speed .....	5-4
Implement warning lamps .....	5-5
Safety chain .....	5-6

### SHIPPING TRANSPORT

Securing the tractor for shipping .....	5-7
---	-----

### RECOVERY TRANSPORT

Safety rules .....	5-8
Towing the tractor .....	5-9

## 6 WORKING OPERATIONS

### GENERAL INFORMATION

Product overview .....	6-1
------------------------	-----

### REAR PTO

Safety rules .....	6-2
Connecting the PTO .....	6-4
PTO operation .....	6-5

### THREE POINT HITCH

---

Identification .....	6-7
Link adjustment .....	6-8
Sway block adjustment .....	6-10
Mechanical float adjustment .....	6-11
Hitch quick coupler - Category IVN .....	6-12
Transport lock .....	6-16
Hitch operation .....	6-17
Rear remote hitch switch .....	6-21
Position control operation .....	6-22
Slip control operation .....	6-25

## DRAWBARS AND TOWING ATTACHMENTS

Safety rules .....	6-27
Rear towing - Capacities .....	6-27
Scraper operation .....	6-33

## TRAILER BRAKE COUPLER

Safety rules .....	6-34
Trailer brake connections .....	6-34

## AUXILIARY POWER CONNECTIONS

External power and lighting connections .....	6-35
Cab power connections .....	6-37

## HYDRAULIC REMOTE CONTROL VALVES

Valve couplers and connections .....	6-40
Optional circuits .....	6-46
Hydraulic remote valve transport lock .....	6-47
Operating the controls .....	6-48
Remote valve display screens .....	6-52
Joystick operation .....	6-55
Auto auxiliary mode operation .....	6-60
Auto depth control operation .....	6-63

## BALLASTING THE TRACTOR

Guidelines .....	6-66
Weights, cast metal and liquid Front Ballast .....	6-70
Wheel slip and power hop .....	6-76

## FRONT AND REAR AXLE

Tire safety .....	6-77
Pressure and load ratings .....	6-78
Wheel installation .....	6-84
Wheel tread settings .....	6-90
Track preconditioning .....	6-101

---

## 7 MAINTENANCE

### GENERAL INFORMATION

Safety rules .....	7-1
Engine hood .....	7-2
Removing the engine side shields .....	7-3
Opening the right hand service door .....	7-4
Power cut-off switch (if equipped) .....	7-4
Filling the fuel tank .....	7-6
Fuel tank capacity .....	7-7
Tire and rim service .....	7-8
Tractor jacking points .....	7-10
Capacities .....	7-12
Consumables - Engine oil .....	7-13
Consumables - Fuel .....	7-15
Consumables - Coolant solutions .....	7-17
Electrical specifications and service .....	7-18
Fuse and relay locations .....	7-20
Maintenance chart notes .....	7-28

### MAINTENANCE CHART

Maintenance Chart .....	7-29
-------------------------	------

### AT WARNING MESSAGE DISPLAY

Air cleaner .....	7-31
Fuel filter .....	7-32

### EVERY 10 HOURS OR EACH DAY

Engine oil level .....	7-33
Wheel bolt torque .....	7-33
Wheel weight bolt torque .....	7-33
Transmission oil level .....	7-34
Hydraulic/axle oil level .....	7-35
Engine coolant level .....	7-36
Fuel level .....	7-36
General tractor inspection (see Note 1) .....	7-37

### EVERY 50 HOURS

Fuel tank and fuel filter .....	7-38
Articulation hinge - upper front .....	7-40
Oscillation hinge - rear .....	7-40
Articulation hinge - lower .....	7-40
Articulation cylinder - front, left hand, right hand .....	7-41
Articulation cylinder - rear, left hand and right hand .....	7-41
Hitch cylinder pin - upper, left hand and right hand .....	7-42
Hitch cylinder pin - lower, left hand and right hand .....	7-42
Hitch rockshaft - left hand and right hand .....	7-43
Hitch lift links and top link .....	7-43

---

## EVERY 250 HOURS

Cab air filter, outside (see Note 2).....	7-44
Cab recirculation filter .....	7-45
Windshield washer fluid level.....	7-46
Driveshaft carrier bearing.....	7-46

## EVERY 500 HOURS

Air tubing - engine .....	7-47
Alternator - water pump belt.....	7-47
Battery electrolyte level.....	7-48
PTO carrier bearing .....	7-49
PTO slip joint .....	7-49
Radiator and coolers .....	7-50

## EVERY 600 HOURS

Engine oil and filter (see note 5).....	7-52
Engine fuel filter (see note 6).....	7-55
Engine fuel pre-filter .....	7-59
Fuel tank vent (see note 8).....	7-64

## EVERY 1200 HOURS

Engine crankcase breather filter.....	7-65
---------------------------------------	------

## EVERY 1500 HOURS

Engine air tubing .....	7-67
Engine air filters (see Note 3) .....	7-68
Hydraulic oil and filters (see note 6).....	7-74
Hydraulic reservoir breather .....	7-76
Transmission oil and filter (see note 6).....	7-77
Transmission vent .....	7-78
Idler/roller wheel oil (see Note 7) .....	7-79
Cab air filter, outside (see Note 2).....	7-80
Door lock and hinges (see Note 4).....	7-81

## EVERY 2000 HOURS OR 2 YEARS

Engine coolant drain and flush .....	7-82
--------------------------------------	------

## AS REQUIRED

Vehicle fire prevention .....	7-85
Pressure cooling system hoses .....	7-86
Hydraulic system hoses .....	7-86
Tire pressure .....	7-86
Engine fan belt .....	7-86
Viscous fan drive .....	7-87
Track inspection and bolt torque .....	7-88
Track tension release.....	7-90
Track belt alignment .....	7-92

---

Cab fabric and carpet.....	7-94
Seat belt .....	7-94

## STORAGE

Placing in storage .....	7-95
Removing from storage.....	7-96

## ELECTRICAL SYSTEM

Battery removal and installation .....	7-97
Auxiliary battery connections .....	7-98
Hood lamp replacement .....	7-100
Flood and work lamp replacement .....	7-105
Rotating beacon lamp replacement .....	7-110
Interior lights lamp replacement .....	7-111

## 8 TROUBLESHOOTING

### FAULT CODE RESOLUTION

Fault code retrieval .....	8-1
----------------------------	-----

### ALARM(S)

Display warnings .....	8-2
------------------------	-----

## 9 SPECIFICATIONS

Engine .....	9-1
Power train and hydraulics .....	9-3
Speed charts .....	9-6
Vehicle dimensions and shipping weight .....	9-8
Maximum tractor operating weights .....	9-12

## 10 ACCESSORIES

Farming system Monitor - Install .....	10-1
Chemical tank mounting.....	10-2
General accessories.....	10-5

---



# 1 - GENERAL INFORMATION

## Read the Operators Manual



Improper operation of this vehicle can cause death or serious injury. Before using the vehicle, make certain that every operator:

- Is instructed in safe and proper use of the machine.
- Reads and understands the manual(s) pertaining to the machine.
- Reads and understands all safety decals on the machine.

- Clears the area of other persons.
- Learns and practices safe use of machine controls in a safe, clear area before operating this machine on a job site.

It is your responsibility to observe pertinent laws and regulations and follow CNH America LLC instructions on machine operation and maintenance.

## Engine tampering

The engine on your machine is designed and built to government emissions standards. Tampering by dealer, customers, operators and users is strictly prohibited by law. Failure to comply could result in government fines, rework charges, invalid warranty, legal action and possible confiscation of the machine until rework to original condition is completed. Engine repairs must be done by a certified technician only.

## CNH America LLC technical manuals

Manuals are available from your dealer for your machine. Your dealer can expedite your order for operator manuals and parts catalogs.

Always give the machine name, model and P.I.N. (product identification number) of your machine so your dealer can provide the correct manuals for your machine.

The company is continually striving to improve its products and therefore reserves the right to make improvements and changes when it becomes practical and possible to do so, without incurring any obligation to make changes or additions to the equipment sold previously.

### Manual scope and required training level

This manual provides information on the intended use of your tractor under the conditions foreseen by the manufacturer during normal operation, routine service and maintenance and periodic service and maintenance.

Normal operation is use of the tractor for the purpose intended by the manufacturer by an owner/operator who is familiar with the tractor and the mounted or towed equipment, and who is complying with the information on operation and safe practices, provided in this manual and by the decals on the tractor and the equipment.

Normal operation includes such actions as preparing the tractor for storage and removing the tractor from storage, adding or removing ballast, connecting and disconnecting mounted or towed equipment, raising and lowering components into or out of work position, adjusting tractor settings for specific field or crop settings, etc.

Routine service and maintenance are those actions which must be performed daily to maintain proper tractor function by an owner/operator who is familiar with tractor characteristics, and who is complying with the information on routine service and safe practices in this manual and in the decals on the tractor.

Routine service and maintenance includes such actions as fueling, cleaning, washing, topping off fluid levels, greasing, and replacing consumable articles such as lamp bulbs.

Periodic service and maintenance are those actions which must be performed at regularly defined intervals

All data given in this manual is subject to production variations.

**NOTICE:** *Operating and service messages displayed on the electronic operating panel may vary from what is shown in the manual. If this occurs, heed the latest instructions on the electronic operating panel.*

Dimensions and weights are approximate only and the illustrations do not necessarily show the machine in standard condition. For exact information about any particular machine, please consult your dealer.

to maintain proper tractor function by an owner/operator who is familiar with tractor characteristics, and who is complying with the information on periodic service and safe practices in this manual and in the decals on the tractor.

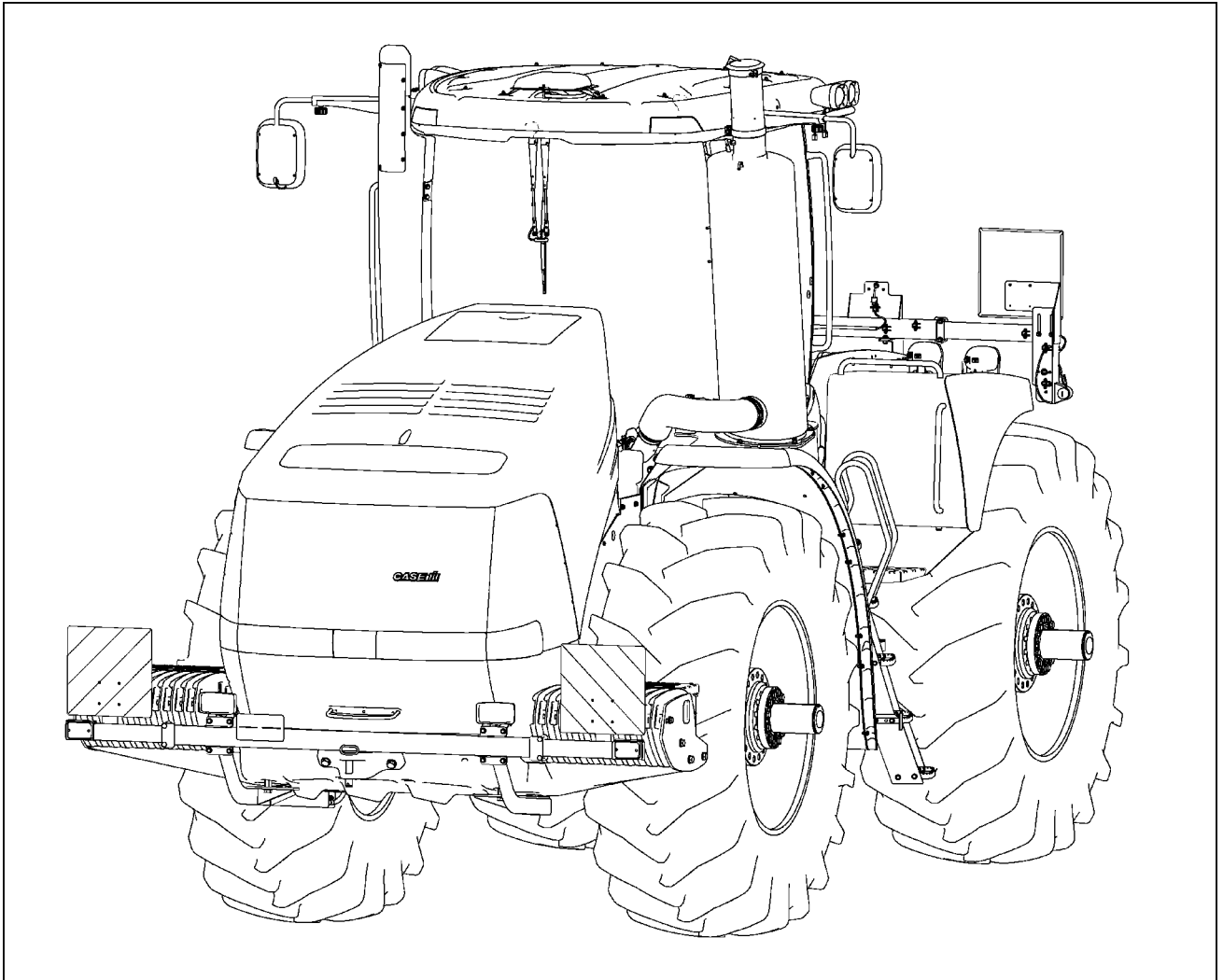
Periodic service and maintenance includes such actions as checking, cleaning and changing air filters, changing engine oil and filters, changing transmission oil and filters, changing front axle and wheel hub fluids, changing coolant, etc.

Some actions in the periodic service and maintenance chart are beyond the knowledge and skills of the owner/operator: for example, engine valve adjustment, fuel injector nozzles. For these actions, the manual instructs the owner/operator to have the action performed by their authorized dealer.

This manual does not contain all the information related to periodical service and maintenance, converting and repairs to be carried out by professional service personnel. These actions require special facilities, technical skills, and/or tools which are not supplied with the machine.

Converting is changing the tractor configuration for a specific crop or soil condition and requires rebuilding or adding components to the vehicle: for example, installation of dual wheels. Repairing is the disassembly and assembly of the tractor to restore proper operation after a component failure or degradation of performance.

# Your tractor



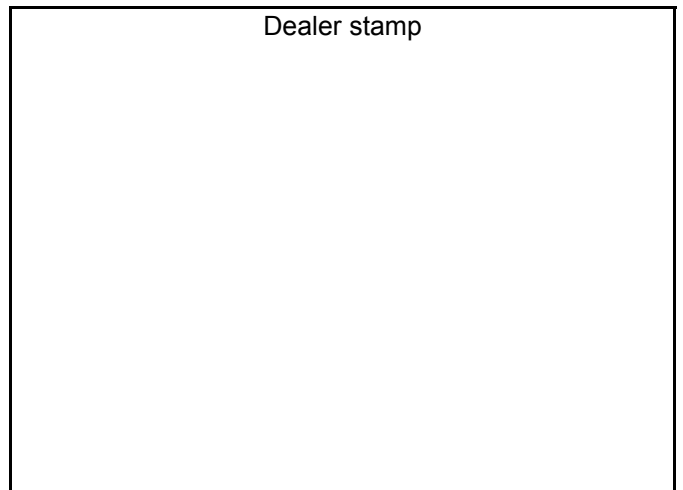
RCPH11FWD051GAM 1

The customer is required to ensure suitable jobsite organization in respect of acceptable visibility and operation of this tractor.



CNH America LLC  
Racine, WI  
U.S.A.

Dealer stamp



## Noise level

In compliance with EU standards 77/311/EEC, the operator's noise level for tractors described in this manual are as specified below.

Tractor model	dB (A) at operators ear	Reference speed (km/h)
Steiger 350	76	7.8
Steiger 400 and 450	80	7.8
Steiger 500	75	7.8
Steiger 550 and 600	76	7.8
Quadtrac 450 and 500	83	7.8
Quadtrac 550 and 600	83	7.8

In compliance with EU standards 74/151/EWG, the drive by noise level for tractors described in this manual are as specified below.

Tractor model	Maximum speed (km/h)	Drive by noise (dB {A})	At test speed (km/h)	Stationary noise (dB {A})	At engine speed (RPM)
Steiger 350	39	87	29	81	2160
Steiger 400, 450	39	86	29	84	2170
Steiger 500	39	89	29	79	2180
Steiger 550, 600	39	87	29	80	2180
Quadtrac 450, 500	39	89	29	77	2180
Quadtrac 550, 600	39	88	29	83	2180

## Vehicle vibration levels

In compliance with EU standards 78/764/EEC, the operator's vibration level for tractors described in this manual are as specified below.

### Tractors with standard air suspension seat

#### Vibration damping

	Maximum amplitude ration	Frequency
40 kg load	1.18	1.36 Hz
80 kg load	1.10	1.18 Hz

#### Vibration transmission

Ambient temperature: 21 °C

input vibration: Category A Class II

Driver	Corrected vibration level on seat
Heavy ( 98.4 kg)	0.94 m/s <sup>2</sup>
Light ( 58.5 kg)	1.16 m/s <sup>2</sup>

input vibration: Category A Class III

Ambient temperature: 21 °C

Driver	Corrected vibration level on seat
Heavy ( 98.4 kg)	0.95 m/s <sup>2</sup>
Light ( 58.5 kg)	1.18 m/s <sup>2</sup>

### Tractors with semi active air suspension seat

#### Vibration damping

	Maximum amplitude ration	Frequency
40 kg load	0.668	1.17 Hz
80 kg load	0.820	1.17 Hz

#### Vibration transmission

Ambient temperature: 21 °C

input vibration: Category A Class II

Driver	Corrected vibration level on seat
Heavy ( 95 kg)	0.484 m/s <sup>2</sup>
Light ( 59 kg)	0.722 m/s <sup>2</sup>

input vibration: Category A Class III

Ambient temperature: 21 °C

Driver	Corrected vibration level on seat
Heavy ( 95 kg)	0.481 m/s <sup>2</sup>
Light ( 59 kg)	0.750 m/s <sup>2</sup>

**Buy Now**



Our support email:

[ebooklibonline@outlook.com](mailto:ebooklibonline@outlook.com)