

Magnum 180

Magnum 190

Magnum 210

Magnum 225

Tractor

from PIN ZBRH02080 and after

OPERATOR'S MANUAL

Part number 84423106

1st edition English

March 2011



Contents

1 GENERAL INFORMATION

Tractor intended use.....	1-1
Note to the Owner	1-2
Manual storage	1-2
Machine orientation.....	1-3
Product identification	1-4
Component location	1-7

2 SAFETY INFORMATION

Safety rules and signal word definitions	2-1
Read the Operators Manual	2-2
Proposition 65	2-2
Safety rules - General	2-2
Safety rules - Air conditioning system	2-3
Safety rules - Basic operating	2-3
Safety rules - Battery	2-4
Safety rules - Driving on public roads	2-4
Safety rules - Electrical storm safety	2-5
Safety rules - Fire prevention	2-5
Safety rules - General maintenance	2-5
Safety rules - Hazardous chemicals	2-7
Safety rules - Implements, tools and trailers	2-7
Safety rules - Instructional seat	2-8
Safety rules - Mounting and dismounting	2-8
Safety rules - Operator presence system	2-8
Safety rules - PTO operation	2-8
Safety rules - Roll over and tip over	2-9
Safety rules - Utility power lines	2-9
Safety rules - Wheels and tires	2-10
ROPS and CSF.....	2-11
Safety decals	2-13
Ecology and the environment	2-21

3 CONTROLS/INSTRUMENTS

ACCESS TO OPERATOR'S PLATFORM

Tractor access.....	3-1
---------------------	-----

OPERATOR'S SEAT

Overview	3-3
Control identification.....	3-4

INSTRUCTOR'S SEAT

Overview	3-7
----------------	-----

FORWARD CONTROLS

Steering column	3-8
Front console	3-11
Pedal controls	3-13

LEFT-HAND SIDE CONTROLS

Manual backup brake.....	3-16
--------------------------	------

RIGHT-HAND SIDE CONTROLS

Armrest console	3-17
Multi-function handle	3-18
Minimum/maximum rpm throttles.....	3-23
Control panel	3-25
Remote valve controls.....	3-34
Joystick	3-35
Armrest compartment	3-36
Adjusting the armrest console.....	3-37

REARWARD CONTROLS

Fender console	3-39
Automatic temperature controls	3-42
Automatic temperature control system	3-45
Ventilation	3-46

OVERHEAD CONTROLS

Interior lamps	3-48
----------------------	------

EXTERIOR CONTROLS

Rear fender.....	3-49
------------------	------

INSTRUMENT CLUSTER

Overview	3-50
Gauges	3-50
Status and warning icons.....	3-51
Upper display	3-54
Lower display	3-56
Keypad	3-57
Standard instrumentation.....	3-59
Performance instrumentation.....	3-66

4 OPERATING INSTRUCTIONS

COMMISSIONING THE UNIT

Before starting the engine	4-1
----------------------------------	-----

STARTING THE UNIT

Normal engine starting	4-4
Cold starting aids	4-6
Cold temperature operation	4-7

STOPPING THE UNIT

Stopping the engine	4-9
---------------------------	-----

MOVING THE UNIT

FULL POWERSHIFT TRANSMISSION	4-10
Powershift transmission	4-10
Inching pedal and throttle	4-11
Transmission controls	4-12
Upper display	4-15
Manual transmission operation	4-16
Automatic productivity management (APM)	4-18
APM road	4-21
APM field	4-23
Setting reverse gear ratios	4-25
Transmission errors and calibration	4-26
Creeper gears	4-27
CONTINUOUSLY VARIABLE TRANSMISSION (CVT)	4-28
CVT brake, pedal and throttle operation	4-28
CVT transmission operation	4-33
CVT transmission controls	4-35
CVT transmission display	4-39
CVT speed matching	4-42
CVT transmission error codes	4-42
POWERSHIFT AND CVT TRANSMISSIONS	4-43
Selective catalytic reduction (SCR) system	4-43
Mechanical front drive (MFD)	4-48
Differential lock system	4-50
Suspended axle	4-52
Engine power management	4-54
Ride control	4-56
Constant engine speed	4-57
Electronic end of row system	4-60

PARKING THE UNIT

Electronic park lock (EPL) and manual backup brake	4-70
----------------------------------------------------------	------

5 TRANSPORT OPERATIONS

ROAD TRANSPORT

Tractor warning lamps and SMV symbol	5-1
Wide transport marker light	5-4
Tractor warning lamps	5-6
Safe transport speed	5-7
Implement warning lamps and SMV symbol	5-8

Safety chain	5-9
--------------------	-----

SHIPPING TRANSPORT

Securing the tractor for shipping	5-10
-----------------------------------------	------

RECOVERY TRANSPORT

Safety rules	5-11
--------------------	------

6 WORKING OPERATIONS

GENERAL INFORMATION

Before operating the vehicle	6-1
Guidelines	6-2

REAR PTO

Safety rules	6-3
Connecting the PTO	6-6
PTO operation	6-8
Two speed PTO systems	6-10
Auto PTO operation	6-11
PTO fender switch operation	6-14

THREE POINT HITCH

Connecting three-point hitch implements	6-15
Three-point hitch adjustments	6-16
Hitch controls and settings	6-23
Draft control	6-29
Position and ride control	6-32

DRAWBARS AND TOWING ATTACHMENTS

Safety rules	6-34
Adjusting the drawbar	6-35

HYDRAULIC TRAILER BRAKES

Trailer brake connections	6-37
---------------------------------	------

AUXILIARY POWER CONNECTIONS

Auxiliary power and lighting	6-38
Cab power connections	6-40

HYDRAULIC REMOTE CONTROL VALVES

Valve couplers and connections	6-42
Transport lock	6-47
Operating the controls	6-48
Remote valve display screens	6-53

Joystick operation	6-56
--------------------------	------

BALLASTING THE TRACTOR

Guidelines	6-61
Tire load and inflation charts	6-65
Weights, cast metal and liquid.....	6-71
Wheel slip and power hop performance	6-79

MECHANICAL FRONT DRIVE (MFD) AXLES

Tire combinations and tread positions.....	6-81
Toe-in setting - MFD front axles	6-86
Steering and oscillation stops	6-87
Tread and fender settings - MFD axles.....	6-91

REAR AXLE

Rear wheel installation	6-97
Rear wheel tread settings	6-102
MFD lead/lag calculation	6-106

7 MAINTENANCE

GENERAL INFORMATION

Safety rules	7-1
Opening the hood	7-2
Closing the hood	7-3
Filling the fuel tank	7-4
Filling the DEF/AdBlue® tank	7-5
Battery access and service.....	7-6
Tire and rim service.....	7-8
Tractor jacking points.....	7-10
Capacities	7-12
Consumables - Engine oil	7-14
Consumables - Diesel fuel	7-16
Consumables - Biodiesel fuel	7-17
Consumables - Diesel exhaust fluid (DEF)/AdBlue®	7-19
Consumables - Coolant solutions	7-21
Electrical component location	7-22

MAINTENANCE CHART

Maintenance Chart	7-26
-------------------------	------

At warning message display

Air filter service icon/message.....	7-28
Fuel filter water separator	7-31

Every 10 hours or daily

Engine coolant level	7-32
Engine oil level	7-32
Windshield washer fluid level.....	7-34

First 50 hours

Dealer performed service.....	7-35
-------------------------------	------

Every 50 hours

Coolers and condenser.....	7-36
Cab air filter.....	7-38
Grease fittings	7-41
Wheel bolt torque.....	7-48
Tire pressure	7-49

Every 300 hours

Battery water level.....	7-50
Fan belt.....	7-52
Transmission oil level.....	7-53
Mechanical front drive (MFD) gearbox	7-54
Park brake	7-55

Every 600 hours

Engine oil and filter	7-56
DEF/AdBlue® in-line filter	7-59
Hydraulic filter(s)	7-61
Engine primary air filter.....	7-63
Engine air intake hoses.....	7-66
Fuel filters	7-68
Differential and planetary oil.....	7-70

Every 1200 hours or annually

Cab air filter.....	7-72
Hydraulic filter(s)	7-74
Rear axle bearing.....	7-80
Transmission oil	7-81
Differential and planetary oil.....	7-85
Mechanical front drive (MFD) gearbox	7-89
Battery water level.....	7-90

Every 1200 hours or two years

Engine coolant.....	7-92
Engine secondary air filter.....	7-95
Engine valve adjustment	7-98
Blowby filter.....	7-98
Lubrication filter - CVT transmission	7-98

Every 3600 hours

DEF/AdBlue® supply module filter	7-99
----------------------------------------	------

Every 36 months

Air conditioning system	7-99
-------------------------------	------

As required

Pre-filter and water trap - if equipped	7-100
Fuel tank vent filter	7-102
DEF/AdBlue® filter	7-102
Fan belt	7-104
Cab suspension, if equipped	7-108
Remote valve collection bottle	7-109
Cab fabric and carpet	7-109
Tractor exterior	7-110
Seat belt	7-111

STORAGE

Preparing for storage	7-112
Removing from storage	7-113

ELECTRICAL SYSTEM

Radio or audio system	7-115
Battery removal and installation	7-116
Battery - Charging	7-118
Head light - Replace	7-119
Rear work light - Replace	7-125
Fender tail light and warning light	7-127
Roof front warning and work light	7-129
Roof rear warning light	7-132
High intensity work light	7-134
Wide transport marker light	7-136
Rotating beacon light	7-137
Interior light - Replace	7-138

8 TROUBLESHOOTING

ALARM(S)

Display warnings	8-1
Automatic engine shut down	8-8
Fault reporting	8-9

SYMPTOM(S)

Engine symptoms	8-11
Transmission symptoms	8-13

Hydraulic symptoms	8-14
Hitch symptoms	8-15
Brake symptoms	8-16
Cab environment symptoms	8-16
Electrical power system symptoms	8-17

9 SPECIFICATIONS

Engine specifications	9-1
Power train specifications	9-2
Operating speeds	9-5
Vehicle dimensions and shipping weight	9-8
Maximum operating weight	9-10

10 ACCESSORIES

Front wheel fenders	10-1
Farming system displays	10-6
Chemical tank mounting	10-7
Loader connection and operation	10-9
General accessories	10-10

11 FORMS AND DECLARATIONS

First service dealer copy	11-1
First service customer copy	11-3

1 - GENERAL INFORMATION

Tractor intended use

Magnum series tractors with standard equipment and authorized attachments, are intended to be used for customary farming, land leveling and related agriculture operations (intended use). Installation of utility (dozer) blades, tile plows, or push bars on the tractor is not recommended. Any tractor damage resulting from the installation and/or use of such equipment is not covered by the tractor warranty.

Consult an authorized dealer or CNH America LLC on changes, additions or modifications that can be required for this machine to comply with various regulations and safety requirements. Unauthorized modifications will cause serious injury or death. Anyone making such

unauthorized modifications is responsible for the consequences.

Do not use this machine for any purpose or in any manner other than as described in the manual, decals, or other product safety information provided with the machine. These materials define the machine's intended use.

Use in any other way is considered as contrary to the intended use. The manufacture accepts no liability for any damage or injury resulting from this misuse and these risks must be born solely by the user.

Engine and its systems

The fuel system, exhaust after-treatment system, and engine on your machine are designed and built to government emissions standards. Tampering by dealers, customers, operators, and users is strictly prohibited by law.

Failure to comply could result in government fines, rework charges, invalid warranty, legal action, and possible confiscation of the machine until rework to original condition is completed. Engine service and/or repairs must be done by a certified technician only!

Electro-magnetic compatibility (EMC)

Electro-magnetic interference may result from add-on equipment which does not meet required standards. Such interference can result in a serious malfunction and/or create unsafe situations, and must be avoided by following these guidelines:

- The maximum power of emission equipment (radio, telephones, etc.) must not exceed the limits imposed by the governing authority where you use the machine.
- The electro-magnetic field generated by the add-on system should not exceed **24 V/m** at any time and at any location in the proximity of electronic components.
- Add-on equipment must not interfere with the functioning of the on board electronics.

Failure to comply with these rules will render the CASE IH warranty null and void.

Note to the Owner

This manual contains important information about the safe operation, adjustment and routine maintenance of your Magnum series tractor. The manual is divided into eleven chapters as outlined in the table of contents. Refer to the index at the end of this manual for locating specific items about your tractor.

Do NOT operate or permit anyone to operate or service this machine until you or the other persons have read this manual. Use only trained operators who have demonstrated the ability to operate and service this machine correctly and safely.

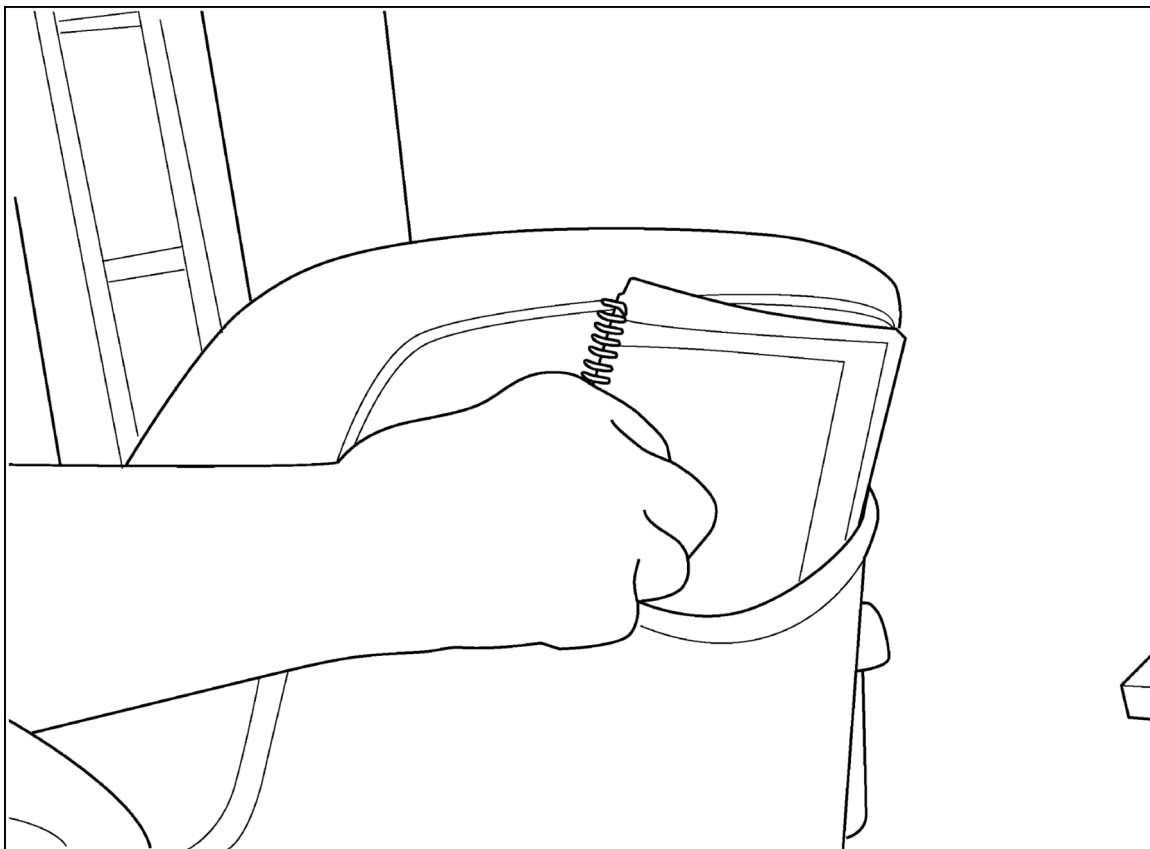
This Operator's Manual is to be stored in the manual compartment behind the operator's seat in the vehicle. Make

sure this manual is in good condition. Contact your dealer to obtain additional manuals.

Your CASE IH dealer will instruct you in the general operation of your new equipment. Your dealer's staff of factory-trained service technicians will be glad to answer any questions that may arise regarding the operation of your machine. They will also provide any after-sales service you may need, and genuine CASE IH parts, your guarantee of quality and match.

Case IH Max Service is also available. Call 1-877-4CASEIH (1-877-422-7344) or email maxservice.na@cnh.com.

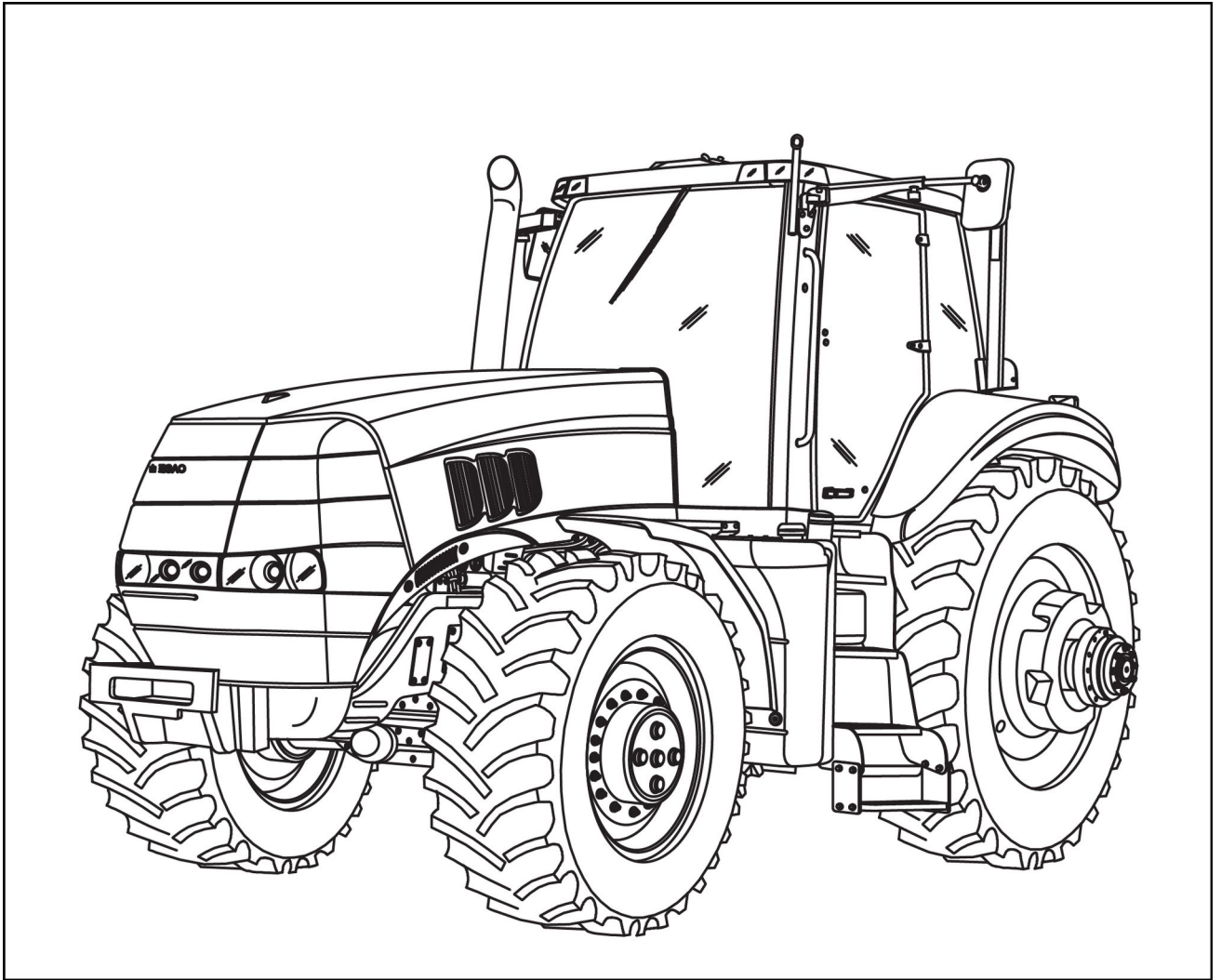
Manual storage



RCPH08CCH002FAB 1

Keep the Operator's Manual in the storage compartment provided on your tractor. The Operator's Manual must be available for use by all operators.

Machine orientation





RCIL10CCH007GAA 1

The right hand and left hand side of the tractor used in this manual are the same as your right hand and left hand when sitting in the tractor seat looking forward.

Product identification

Tractor model and product identification number

Write your model number, product identification number (PIN) or serial number of major components on the lines provided. If needed, give these numbers to your dealer when you need parts or information for your machine.

		CNH America LLC Racine, WI 53404 U.S.A. Made In U.S.A.			
Type 1	EEC Number 2	Product Identification Number 3			
• Total Permissible Mass (*): 4 kg • Permissible Front Axle Load (*): 5 kg • Permissible Rear Axle Load (*): 6 kg (* Depending on the Tires)		Permissible Towable Mass: • Unbraked Towable Mass: 7 kg • Independently-Braked Towable Mass: 8 kg • Inertia-Braked Towable Mass: 9 kg • Towable Mass Fitted with an Assisted Braking System: (Hydraulic or Pneumatic): 10 kg			

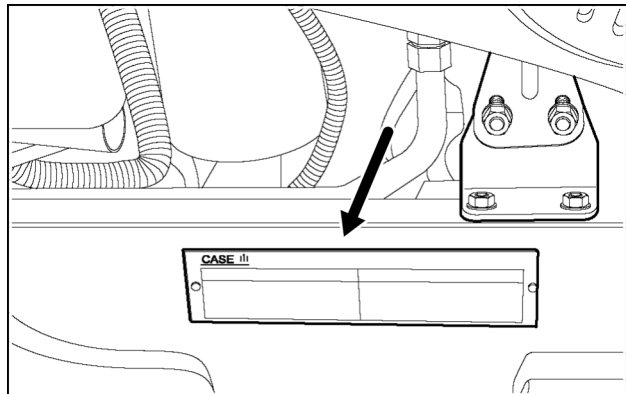
RCIL10CCH004EAA 1

1. Type	Permissible towable mass:
2. EEC number	• 7. Unbraked towable mass
3. Product identification number	• 8. Independently brakes towable mass
4. Total permissible mass	• 9. Inertia braked towable mass
5. Permissible front axle load	• 10. Towable mass fitted with an assisted braking system (hydraulic or pneumatic)
6. Permissible rear axle load	

Model :

PIN

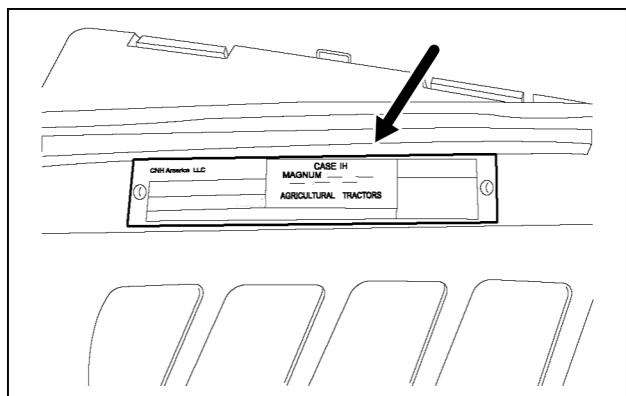
NOTE: Located on right hand front frame casting.



RCPH08CCH625AAB 2

Roll over protection system (ROPS) serial number

NOTE: Located on the right hand cab floor.



RCPH09CCH294AAB 3

Thank you so much for reading.
Please click the “Buy Now!”
button below to download the
complete manual.



After you pay.

You can download the most
perfect and complete manual in
the world immediately.

Our support email:

ebooklibonline@outlook.com