

**Implements for D35, DX35,
D40, DX40, D45, DX45 Tractors**

Product Manual

86618781

CASE *III*

IMPLEMENTS FOR D35, D40, D45, DX35, DX40, DX45

COMPACT TRACTORS

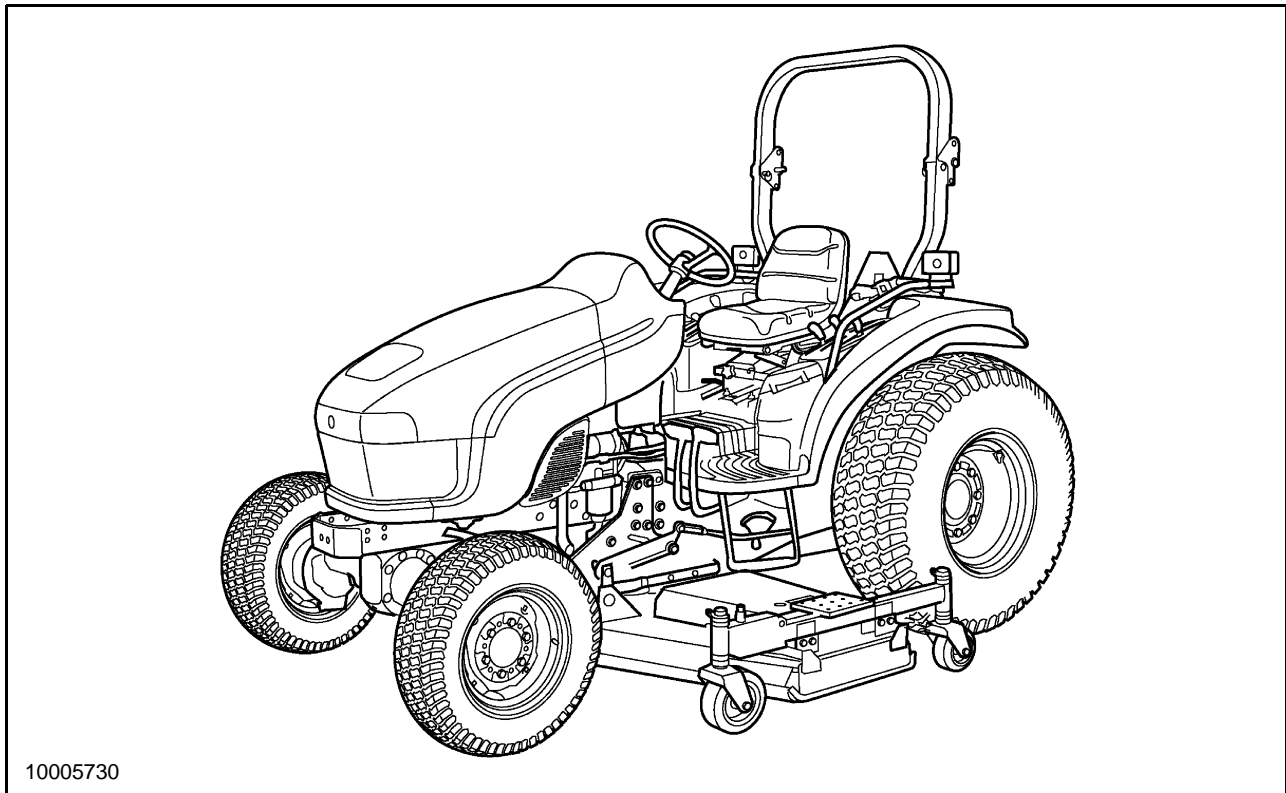


TABLE OF CONTENTS

Front Blade	
Front Blade Highlights	3
Specifications	4
Two-Stage Snow Blower	
Highlights	5
Specifications	6
Backhoe	
Highlights	7
Specifications	10
Mower	
Highlights	12
Specifications	14

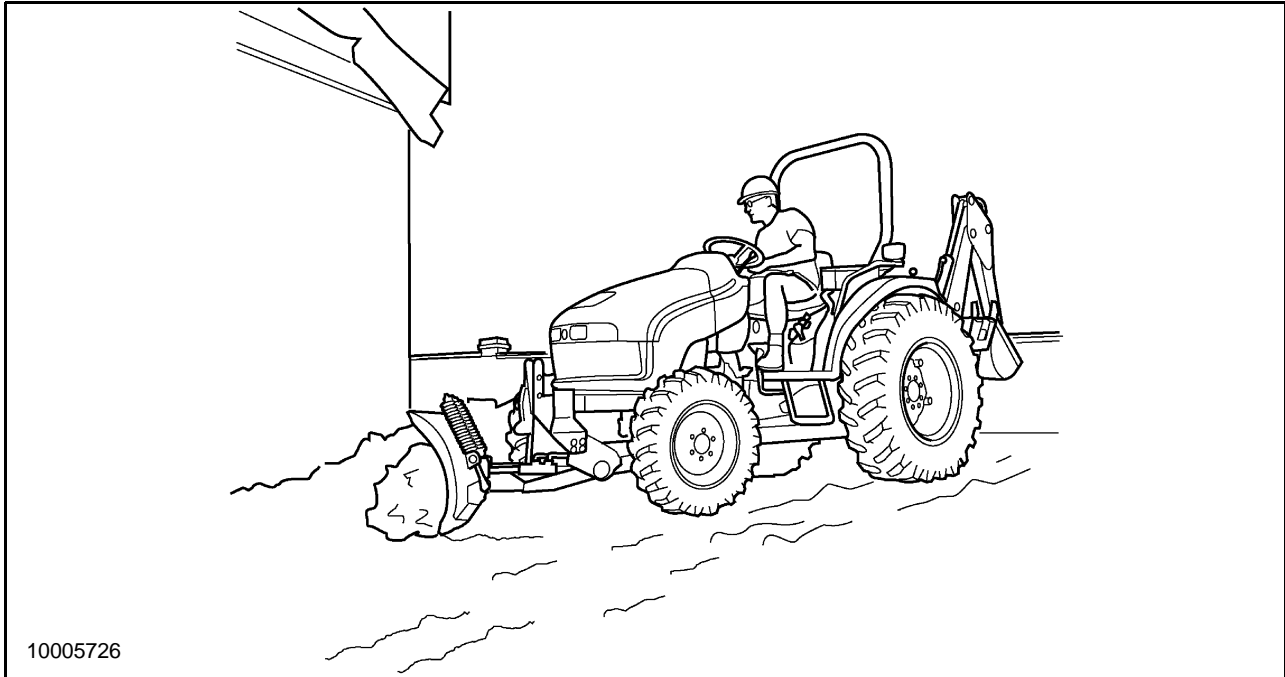
TABLE OF CONTENTS (continued)

Loaders

- Highlights 16
- Mid-Mount Frame 17
- Loader Boom 18
- Hydraulics 21
- Dismounting the Loader 23
- Attachments 24
- Specifications 26
- Competitive Comparisons 27

FRONT BLADE

FRONT BLADE HIGHLIGHTS



Dozer or Dozer Blade. Targeted at contractors, municipalities, landscapers, and (for snow removal) owners of large parking lots, estate or farm owners with access roads. Sometimes called a dozer or dozer blade, the 702C is used for back filling a trench, light dozing work or to remove loose dirt, gravel or snow from surfaces, while maintaining existing land contour. Front positioning makes it easier to see and maneuver than rear-mounted blades. An 84" blade is recommended for the models D35 through DX45 to cover the wheel tracks when the blade is in the angled position.

Standard Hydraulic Blade Angling permits angling of the blade up to 30 degrees left or right. Hydraulic angle cylinders are anchored with hardened, alloy-steel pins, for long life.

Spring-Trip Design lets the blade pivot upward if it strikes an obstruction, to avoid damage. The trip springs can be locked out if their action is not required. The lift cylinder is double acting allowing down pressure on the blade.

Moldboards are fabricated from high-strength steel for durability. The moldboard pivot pin is plated and provided with a lube fitting for durability.

Curved Cutting Edges measure 1/2 in. x 6 in. and are made from 1080 steel for strength and wearability. Cutting edges are replaceable and double-beveled so they can be reversed for longer life.

Skid Shoes. For snow removal, standard, easily adjustable, skid shoes prevent gouging. Just adjust the shoes to provide the desired clearance above the pavement, put the control lever in float, and go to work.

A Single-Lever Control, the same used for the tractor loader, permits easy, one-hand operation. Pull the lever back to raise the blade, push the lever forward to lower it. When all the way forward, the lever stays in a detented float position. Move the lever to the left and the blade angles to the left. Move it to the right and the blade angles right.

Buy Now



Our support email:

ebooklibonline@outlook.com