

**914A 60" & 72" Mid-Mount Side
Discharge Direct Drive Mower for
D(DX) 25, 29, 33 Tractors**

Operator's Manual

86620799

CASE *III*

TABLE OF CONTENTS

INTRODUCTION	3
To the Owner & Operator	3
Identification Numbers	3
SAFETY PRECAUTIONS	4
The Mower	4
Mower Operation	4
The Tractor	4
Operating the Tractor & Mower	5
Servicing the Mower	5
SAFETY DECALS	6
Decal Locations	6
Care of Safety Decals	6
Safety Decal Illustrations	7
ASSEMBLY INSTRUCTIONS	8
General Instructions	8
Pre-Assembly Notes	8
Deflector Shield Installation	8
Installing the Driveline	9
Installing the Front Anti-Scalp Roller	9
Installing the Lift System	10
Cushion Lift Installation	12
Mower Deck Installation	14
“Cushion Lift” Adjustment Instructions	15
PRE-OPERATION INSTRUCTIONS	18
PRE-DELIVERY CHECKLIST	19
OPERATING INSTRUCTIONS	20
General Information	20
Tips for Efficient Mowing	20
Cutting Heights	21
Front Gauge Wheels	21
Rear Wheels	22
Uneven Terrain	23
Rear Grass Discharge	23
Mower Transport Lock	24

TABLE OF CONTENTS - Continued

LUBRICATION	25
Schedule	25
Gearbox Oil	25
REMOVAL & STORAGE	26
Mower Removal	26
Seasonal Storage	26
Mower Reinstallation	26
MAINTENANCE SECTION	27
Blade Removal & Installation	27
Blade Sharpening	27
Belt Adjustment	28
Belt Replacement	28
Spindle Rebuilding	29
Reconditioning the Driveline	30
Gearbox Rebuilding	31
Driveline Shear Bolt & Snap Ring	32
BOLT TORQUE CHART	33
Standard Fastener Torques	33
Special Fastener Torques	33
TROUBLESHOOTING GUIDE	34
SPECIFICATIONS	36
PARTS ILLUSTRATIONS	37
Deck Components (Group 1)	38
Deck Component Fasteners (Group 1)	40
Deck Components (Group 2)	42
Deck Component Fasteners (Group 2)	44
Lift Components	46
Lift Component Fasteners	48
Spindle Components	50
Gearbox Components	52
Driveline Components	54
INDEX	56

INTRODUCTION

TO THE OWNER & OPERATOR

Congratulations on your decision to purchase a Case IH Mower. May we recommend you read this manual before operating your new 914A Mower.

Your Mower has been designed to give many years of satisfactory service in grass mowing operations. This mower is not designed to be used for any other purpose. Successful operation and long mower life depends on proper maintenance and correct operating technique.

This Operator's Manual has been printed to provide you with safe operating techniques, proper maintenance procedures, correct unit assembly, and parts identification on your Mower. Please read this manual carefully, following all instructions. Keep this manual handy for future reference.

All references to right and left, forward or rearward, used in this manual refer to that direction when seated on the tractor seat facing forward.

Should any assistance be required in understanding any section of this manual, contact your Case IH

IDENTIFICATION NUMBERS

Locate the Serial Number plate and record the numbers from it on the pictured plate below. Always refer to this information when requesting repair parts or dealer service.

CASE CORPORATION RACINE, WI 53404 U.S.A.	Made In U.S.A.
Component / Attachment <small>THIS IS NOT A PIN (PRODUCT IDENTIFICATION NUMBER) PLATE</small>	
Model / Number	
Serial Number	

Contact your Case IH Dealer for authorized Service Parts. Substitute repair parts will void the product warranty, and will not meet the standards required for safe operation.

SAFETY PRECAUTIONS

A careful operator is the best operator. Accidents can be avoided by observing certain safety precautions. Read and understand these precautions before operating the Mower. This equipment should be operated only by those who have been trained in its safe use.

THE MOWER

Know and understand all mower instructions and Safety Precautions before assembly, service, or operation. Also read and understand all Safety Precautions in the Tractor Operator's Manual.

Keep the tractor and mower in good operating condition at all times.

Always keep all shields and guards securely in place.

Make sure all fastening hardware is properly tightened before operating the tractor and mower.

Keep all Safety Decals clean and free of dirt and grime. Always replace any Safety Decals that become damaged, lost, painted over, or otherwise become illegible. Replace all Safety Decals when repainting the mower.

Always keep mower discharge directed away from people or animals, which could be injured, and away from objects that could be damaged, by debris thrown by the mowing blades.

Stop and inspect all parts of the mower after striking any foreign object. Repair any damage before resuming mowing operations.

Disengage power to the mower and make sure the area behind the tractor and mower is clear before backing up. Always slow down while backing up or when turning.

The operator should NEVER leave the tractor seat with the mower blades rotating, with the tractor in motion, or when the tractor engine is running.

Always be alert for vehicle traffic when crossing or mowing near roadways. Avoid bystanders when mowing on or near public facilities.

MOWER OPERATION

NEVER operate the mower with the discharge deflector in the raised position.

DO NOT permit anyone but the operator to ride on the tractor or mower. There is no safe place on this equipment for passengers.

Clear the area of people, pets, and all visible debris before mowing.

Mow only during daylight hours, or when the area is well lit artificially.

To avoid the possibility of injury from flying debris, NEVER operate the mower raised into the transport position.

THE TRACTOR

Always use an approved Roll Over Protective Structure (ROPS) and Seat Belt for safe operation. Overturning a tractor, without a ROPS, can result in serious injury or death. If your tractor is not equipped with a ROPS and Seat Belt, see your Case IH Dealer.

ALWAYS wear the seat belt on ROPS equipped tractors. DO NOT use a seat belt if the tractor ROPS has been removed.

NEVER allow an open flame near the fuel tank or tractor battery.

WHEN YOU SEE THIS SYMBOL  IT MEANS:

ATTENTION! BECOME ALERT! YOUR SAFETY IS INVOLVED!

SAFETY PRECAUTIONS - Continued

OPERATING THE TRACTOR & MOWER

Use the hand holds and step platforms when mounting and dismounting the tractor to prevent falling. Always keep steps and platforms clean and free of mud or other debris.

The operator **MUST** remain in the tractor seat at all times while mowing, transporting, or anytime the tractor engine is running.

NEVER run the engine while standing beside the tractor. The operator **MUST** sit in the tractor seat when starting the engine.

NEVER run the engine in a closed building without adequate ventilation. Exhaust fumes are very dangerous and can cause permanent injury or death.

Use extreme care when operating on slopes to maintain equipment stability.

Keep the tractor in gear when traveling downhill.

Install tractor wheel weights to increase stability when operating on slopes. Consult your Case IH Dealer on ballasting requirements for your equipment.

To avoid loss of control, and to prevent overturning the tractor and mower, always mow up and down slopes, never across. **DO NOT** operate on steep slopes.

Always bring the tractor to a complete stop, lower the mower deck to ground contact, disengage power to the mower, set the parking brake, shut off the engine and remove the key, before dismounting from the tractor. **NEVER** park the tractor on an incline.

SERVICING THE MOWER

Keep the tractor and mower clean. Grease, dry debris and grass buildup can cause fires, damaging the equipment and causing serious injury to yourself or others.

Check for and replace or repair missing, loose, or damaged parts on the mower. A defective mower could cause injury to another operator who is unaware of a potential problem.

To avoid injury, do not clean, adjust, unclog, or service the mower when the engine is running.

Do not work under the raised tractor or mower deck unless it is securely supported by a hoist, floor jack and jack stands.

Make sure all hoists, floor jacks and jack stands are in good working order and have sufficient capacity to support the elevated equipment, before repair, adjustment, or lubrication of the tractor or mower.

Inspect the mowing blade retainer nuts daily, or whenever a blade has been removed. Torque is 110 to 130 ft. lbs (150-177 N·m). These nuts have right hand threads.

To avoid injury when handling mowing blades, wear leather gloves, or wrap the blades in the area where they will be held.

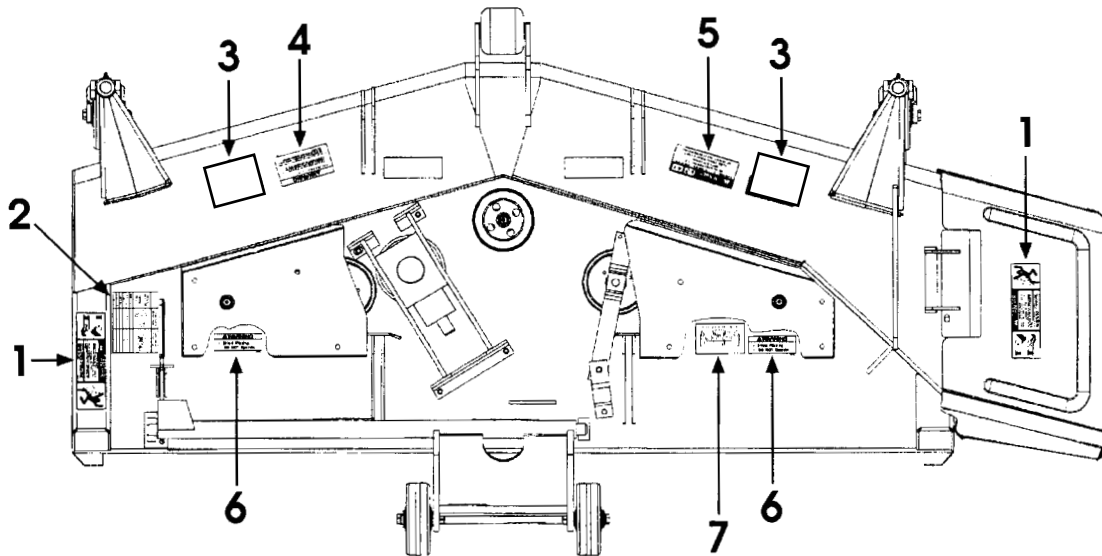
Do not modify or alter or permit anyone else to modify or alter the mower or any of its components or operating functions. If in doubt on modifications, see your Case IH Dealer.

WHEN YOU SEE THIS SYMBOL  IT MEANS:

ATTENTION! BECOME ALERT! YOUR SAFETY IS INVOLVED!

SAFETY DECALS

DECAL LOCATIONS



CARE OF SAFETY DECALS

1. Keep safety decals clean and free of dirt and debris.
2. Clean safety decals with mild soap and water and dry with a soft cloth.
3. Replace any damaged, missing, or illegible safety decals with new safety decals obtained from your Case IH Dealer.
4. If a component with safety decals affixed is to be replaced, make sure new safety decals are attached in the same locations on the replaced component.
5. Install new safety decals by applying on a clean dry surface, working air bubbles out to the edges.

Buy Now



Our support email:

ebooklibonline@outlook.com