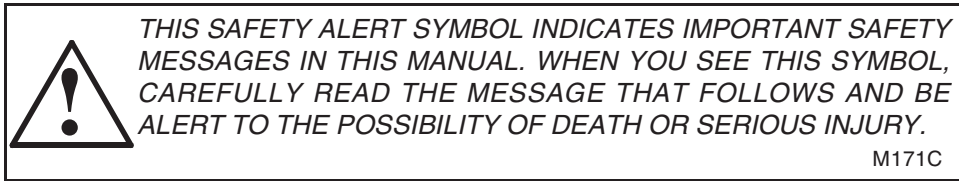


**STX Series
Steiger Tractors
STX380, STX430, STX480
and STX530**

Operator's Manual

87366126




CASE *III*



If Safety Decals on this machine use the words **Danger, Warning or Caution**, which are defined as follows:

- **DANGER:** Indicates an immediate hazardous situation that, if not avoided, will result in death or serious injury. The color associated with Danger is RED.
- **WARNING:** Indicates a potentially hazardous situation that, if not avoided, could result in death or serious injury. The color associated with Warning is ORANGE.
- **CAUTION:** Indicates an potentially hazardous situation that, if not avoided, may result in minor or moderate injury. It may also be used to alert against unsafe practices. The color associated with Caution is YELLOW.

If Safety Decals on this machine are ISO two panel pictorial, decals are defined as follows:

- The first panel indicates the nature of the hazard.
- The second panel indicates the appropriate avoidance of the hazard.
- Background color is YELLOW.
- Prohibition symbols such as   and  if used, are RED.



WARNING

IMPROPER OPERATION OF THIS MACHINE CAN CAUSE DEATH OR SERIOUS INJURY. BEFORE USING THIS MACHINE, MAKE CERTAIN THAT EVERY OPERATOR:

- Is instructed in safe and proper use of the machine.
- Reads and understands the Manual(s) pertaining to the machine.
- Reads and understands ALL Safety Decals on the machine.
- Clears the area of other persons.
- Learns and practices safe use of machine controls in a safe, clear area before operating this machine on a job site.

It is your responsibility to observe pertinent laws and regulations and follow CNH America LLC instructions on machine operation and maintenance.

GENERAL TABLE OF CONTENTS

1-TO THE OWNER	1
STX SERIES STEIGER TRACTORS	3
PRODUCT IDENTIFICATION AND SERIAL NUMBERS	4
CHEMICAL TANK MOUNTING	7
BUSINESS BAND RADIO READY (IF EQUIPPED)	8
PRE-CONDITIONING NEW TRACKS	10
2 – SAFETY/DECALS	13
SAFETY	13
PERSONAL SAFETY	16
INSTRUCTIONAL SEAT SAFETY	16
MAINTENANCE SAFETY	17
FIRE SAFETY	17
BATTERY SAFETY	18
MACHINE OPERATION AND ROLL-OVER SAFETY	18
HAZARDOUS CHEMICALS	19
SAFETY DECALS	20
ARTICULATION CYLINDER LOCKING BLOCKS	24
ROLL OVER PROTECTIVE STRUCTURE (ROPS)	25
SEAT BELTS	27
TRACTOR WARNING LAMPS AND SMV SYMBOL	28
IMPLEMENT WARNING LAMPS AND SMV SYMBOL	29
SAFETY CHAIN	29
3-OPERATING CONTROLS	31
TRACTOR ACCESS	31
OPERATOR'S SEAT WITH AIR SUSPENSION	33
STEERING COLUMN CONTROLS	37
STEERING COLUMN ADJUSTMENT	38
FOOT PEDALS	39
CENTER CONSOLE CONTROLS	40
RH ARMREST CONTROL CONSOLE	42
REMOTE VALVE FUNCTION CONTROL	45
ARM REST CONTROL CONSOLE ADJUSTMENT (IF EQUIPPED)	51
UPPER CONSOLE CONTROLS	51
HVAC CONTROL SYSTEM	55
AUTOMATIC TEMPERATURE CONTROL OPERATION	58
4-INSTRUMENTATION	63
ROPS POST INSTRUMENT CLUSTER	63
PROGRAMMING THE DISPLAY MONITOR	68
CHANGING U.S. STANDARD OR METRIC DISPLAY UNITS	68
CHANGING TIRE RADIUS	69
TIRE AVERAGE ROLLING RADIUS CHART	70
DYNAMIC ROLLING RADIUS	70
RADAR SENSOR CALIBRATION	71
RADAR CALIBRATION PROCEDURE	71
OLD HOURS	72
OPERATOR ADJUSTED MENU PROGRAM	73
WARNING FAULT DISPLAYS	77
CRITICAL WARNING DISPLAYS - LEVEL 1 - STANDARD AND PERFORMANCE	77
NON-CRITICAL DISPLAYS - LEVEL 2 - STANDARD AND PERFORMANCE	78
5-OPERATING INSTRUCTIONS	95
BEFORE STARTING THE ENGINE	95
SEAT BELTS	96
NORMAL ENGINE STARTING PROCEDURE	97
STOPPING THE ENGINE	99

COLD TEMPERATURE OPERATION	100
TOWING THE TRACTOR	104
TRANSPORTING THE TRACTOR	105
POWERSHIFT TRANSMISSION OPERATION	106
AUTOSHIFT OPERATION	110
24-SPEED TRANSMISSION OPERATION (IF EQUIPPED)	114
DIFFERENTIAL LOCK	116
CONSTANT ENGINE SPEED OPERATION (IF EQUIPPED)	117
6-FIELD OPERATION	119
OPERATING THE POWER TAKEOFF (PTO)	121
STANDARD DRAWBAR	123
THREE POINT HITCH PREPARATION	128
HITCH COUPLER - CATEGORY III OR IV-N	133
HITCH OPERATION	137
REMOTE HYDRAULICS	148
AUXILIARY IMPLEMENT POWER CONNECTIONS	159
7-IN FIELD PERFORMANCE	162
TRACTOR BALLAST	162
FRONT AND REAR SUITCASE WEIGHTS	168
FRONT SUITCASE WEIGHT, TIE BOLT AND CLAMP INSTALLATION	169
WHEEL WEIGHTS	171
WHEEL WEIGHT BOLT TORQUE	171
TIRE AND RIM SERVICE	172
TIRE PRESSURE FOR MAXIMUM TIRE LOAD AT RATED INFLATION	175
WHEEL BOLT TORQUES	178
WHEEL OFFSET DIRECTION CHANGE	178
WHEEL TREAD SETTING - DUALS	182
TRIPLE WHEEL TREAD SETTING	183
SCRAPER OPERATING PROCEDURES	184
8-LUBRICATION/FILTERS/FLUIDS/MAINTENANCE	186
LUBRICATION AND MAINTENANCE	186
PLASTIC AND RESIN PARTS	186
LUBRICANTS AND CAPACITIES	186
ENGINE LUBRICATION	187
GRILLE AND HOOD ACCESS	189
LUBRICATION AND MAINTENANCE CHART	192
AIR INDUCTION SYSTEM	215
PRESSURE COOLING SYSTEM	237
SCA SERVICE REQUIREMENTS	237
INSPECTION OF TRACKS AND UNDERCARRIAGE	239
TRACK ROTATION	239
TRACK (BELT) TENSION RELEASE	240
TRACK (BELT) ALIGNMENT	242
9-ELECTRICAL SYSTEM	244
ELECTRICAL SPECIFICATIONS	244
GENERAL SERVICE INFORMATION	250
GENERAL SPECIFICATIONS	251
10 - GENERAL SPECIFICATIONS	251
TRACTOR WEIGHTS	255
APPROXIMATE TRAVEL SPEEDS (MPH)	256
APPROXIMATE TRAVEL SPEEDS (KPH)	257
APPROXIMATE TRAVEL SPEEDS (MPH)	258
APPROXIMATE TRAVEL SPEEDS (KPH)	259
DETAIL INDEX	262

GENERAL INFORMATION

INTRODUCTION TO THIS MANUAL

This manual contains important information about the safe operation, adjustment and routine maintenance of your Case IH STX Series Steiger Tractor. The manual is divided into ten sections as outlined in the General Table of Contents Page(s). Refer to the Detail Index at the end of this manual for locating specific items about your tractor.

Use this manual as a guide. Your tractor will remain a reliable working machine as long as it is kept in good working condition and serviced properly.

Read this manual before you start the engine or operate this tractor. If any information in this manual is not understood, or if you need more information or assistance, contact your dealer. All persons training to operate, or who will be operating this tractor, should be old enough to possess a valid local vehicle operating permit (or other applicable local age requirement) and must have demonstrated the ability to operate and service the tractor correctly and safely.

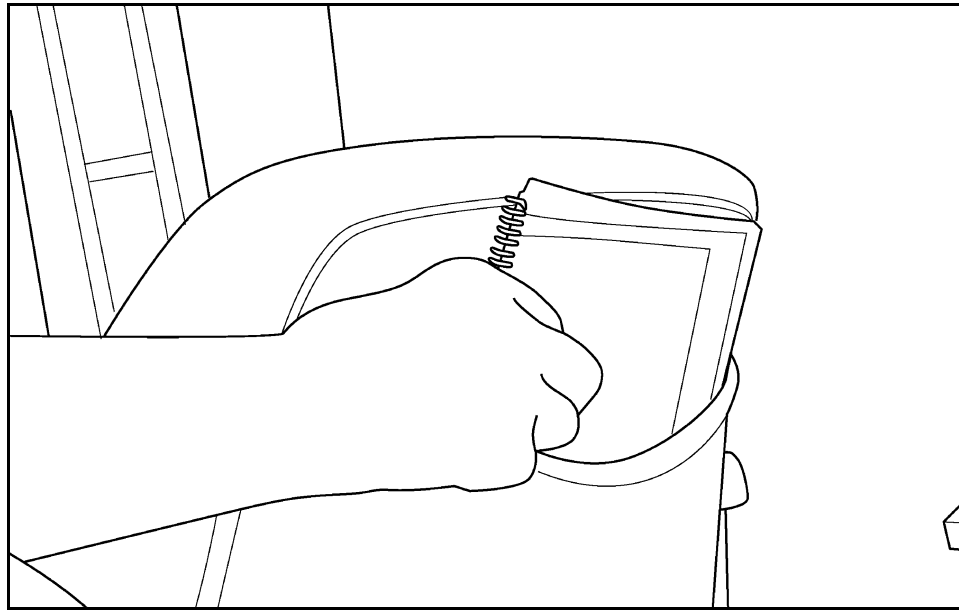
If your tractor requires replacement parts, do not use unauthorized parts or substitute materials. Case dealers stock Case IH approved service parts and have technicians with special training that know the best methods of repair and maintenance for your tractor.

STATEMENT OF TRACTOR INTENDED USE

The Steiger STX Series Tractor, with standard equipment and authorized attachments, is intended to be used for customary farming, land leveling and related agriculture operations.

Installation of utility (dozer) blades, tile plows, front loaders or push bars on the tractor is not recommended. Any tractor damage resulting from the installation and/or use of such equipment is not covered by the tractor warranty.

OPERATOR MANUAL STORAGE COMPARTMENT



MK99H025

DO NOT permit anyone to operate or service this tractor until you or other operators have read this manual. The Operator's Manual is a part of your tractor and must be available to all operators. Make sure the manual is complete and in good condition.

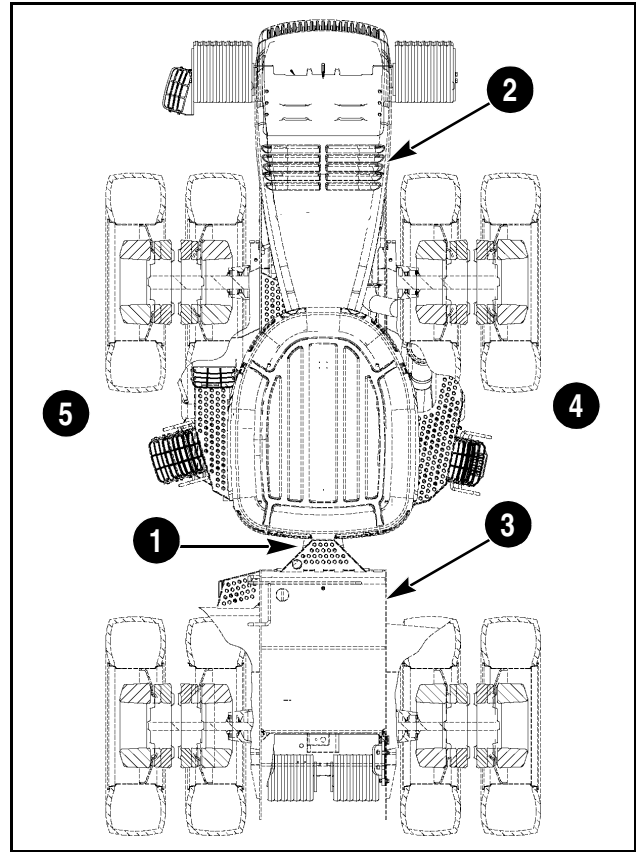
Store the Operator's Manual and other important tractor information in the storage compartment provided on the rear side of the seat backrest.

TRACTOR ORIENTATION

The STX Series Steiger Tractor is classified as a four-wheel drive articulating vehicle. The standard tractor consists of front and rear frame assemblies that steer by pivoting at the center articulation joint (1).

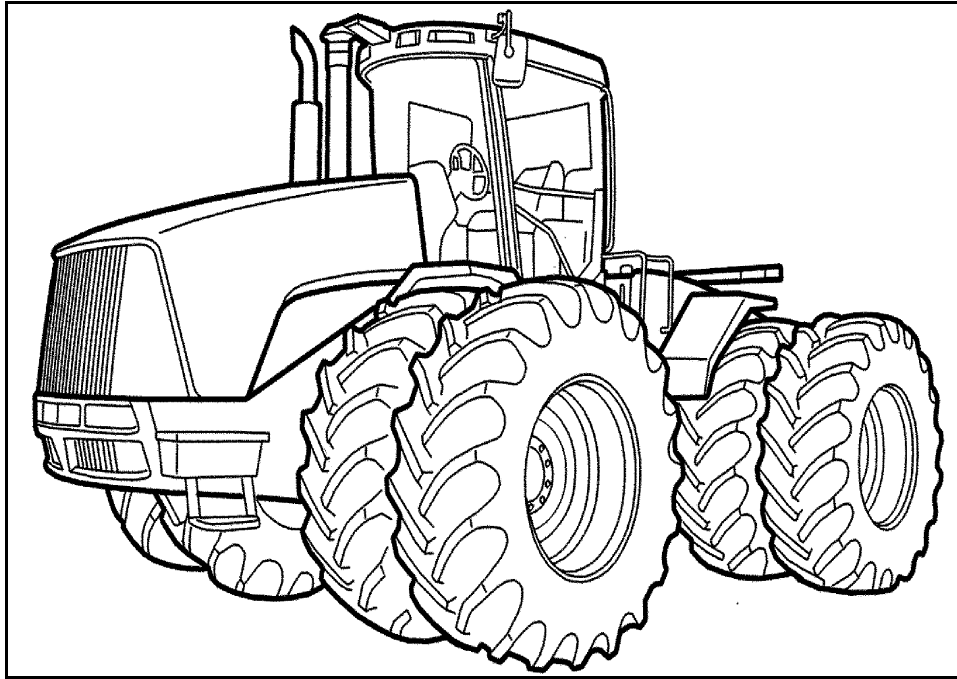
The standard tractor front frame (2) incorporates the engine, front axle, transmission and cab. The rear frame (3) incorporates the rear axle and fuel tank.

The right hand (RH) (4) and left hand (LH) (5) side of the tractor as used in this manual are the same as your right hand and left hand when sitting in the operators seat looking forward over the engine.



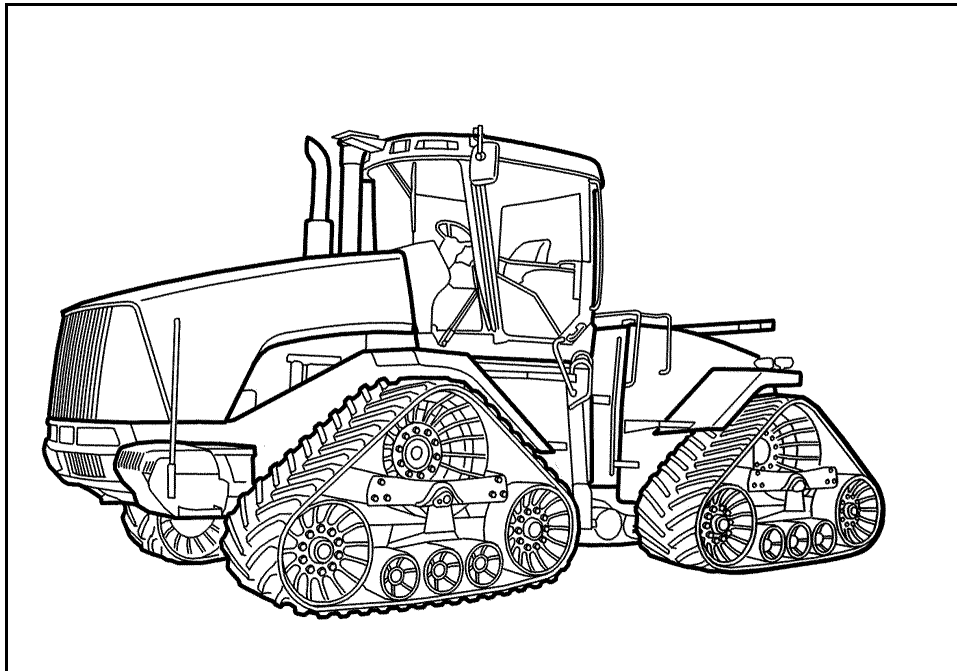
MA00A013

STX SERIES STEIGER TRACTORS



MT05M077

MODEL STX WHEEL TRACTOR



MT05M072

MODEL STX QUADTRAC TRACTOR

PRODUCT IDENTIFICATION AND SERIAL NUMBERS

Write your machine Model Number, Product Identification Number (P.I.N.) and Serial Numbers of major components on the lines provided. If needed,

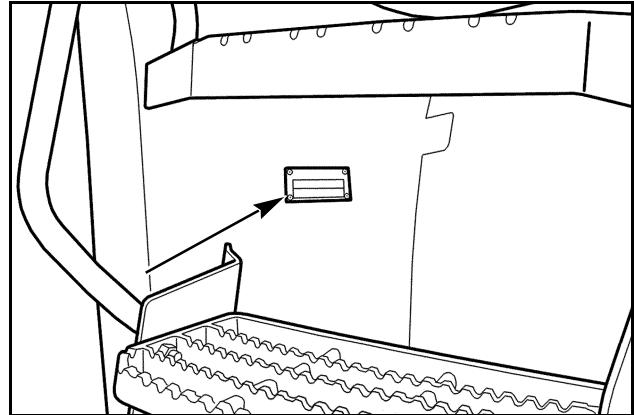
give these numbers to your dealer when you need parts or information for your machine.

TRACTOR MODEL AND PRODUCT IDENTIFICATION NUMBERS

Model: _____

P.I.N. * Z: _____

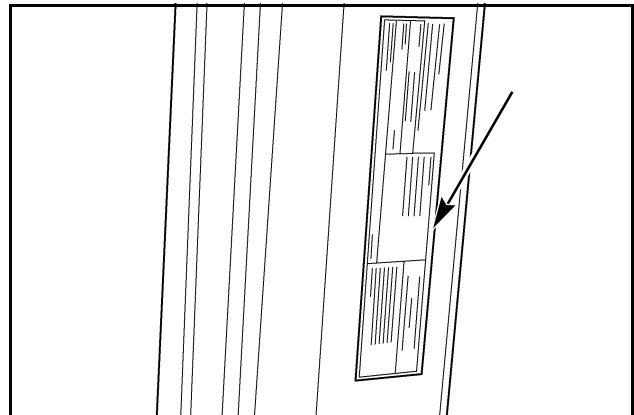
Located on the upper back side of the LH front fender.



MT04M004

ROLLOVER PROTECTIVE STRUCTURE (ROPS) SERIAL NUMBER

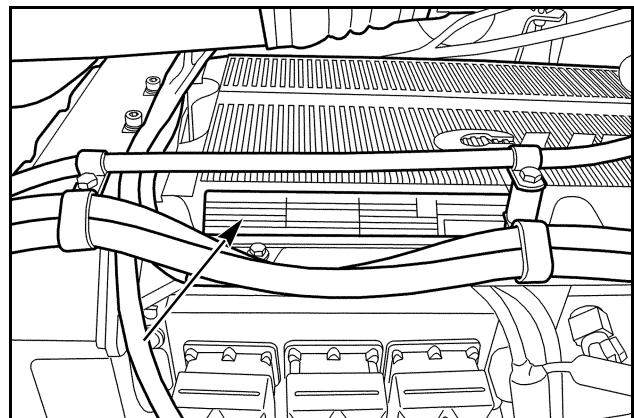
Located under the cover of the LH front ROPS post.



MK01G271

ENGINE SERIAL NUMBER (STX 480 - 530)

Located on the top LH side of the engine valve cover.

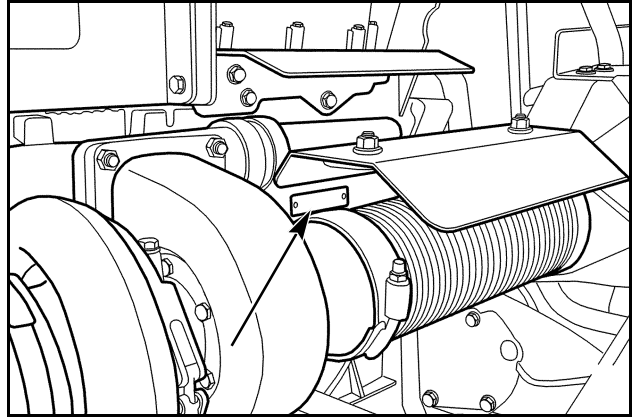


MT05M016

1-TO THE OWNER

ENGINE SERIAL NUMBER (STX 380 - 430)

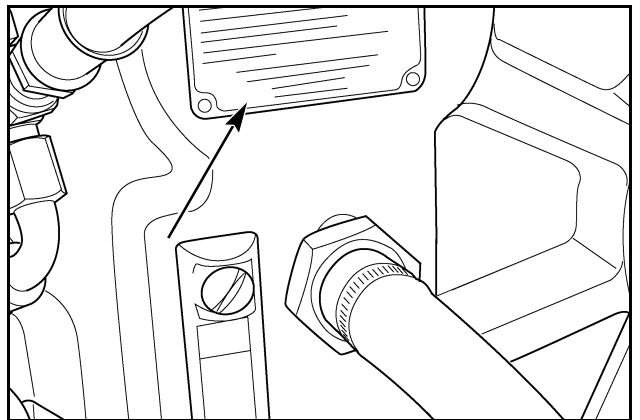
Located on the LH upper side under the heat shield.



MT05M015

TRANSMISSION SERIAL NUMBER

Located on the LH rear side of the transmission.



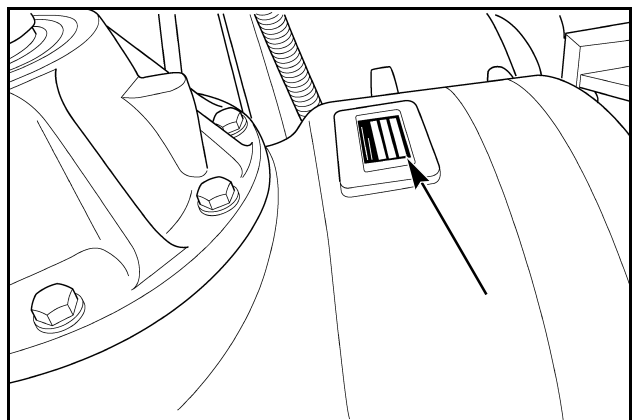
MK98C005

AXLE SERIAL NUMBER

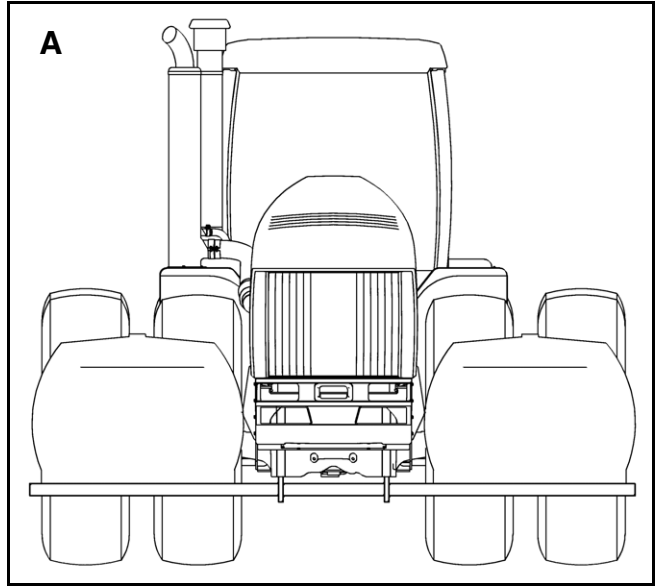
Front _____

Rear _____

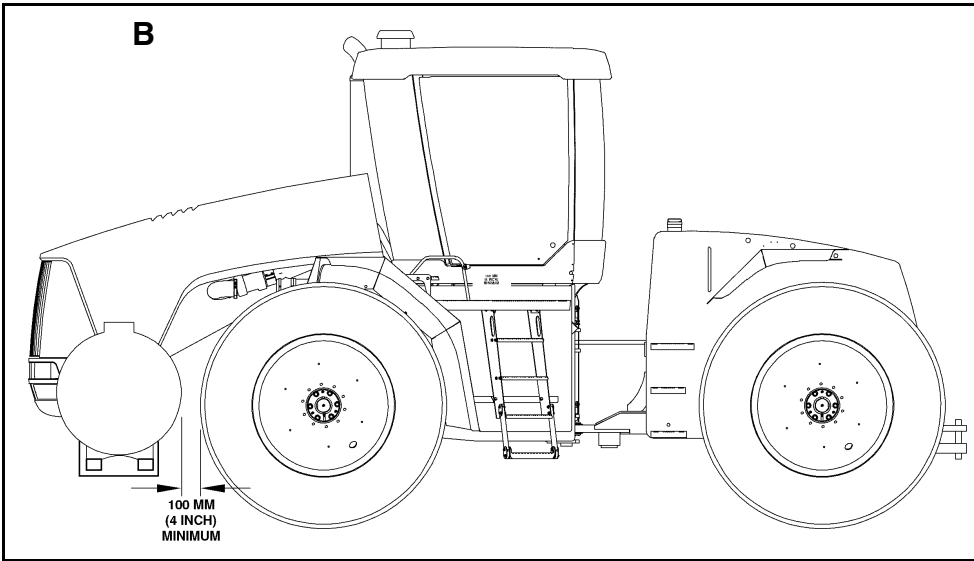
Located on the final drive housing.



MK98E008

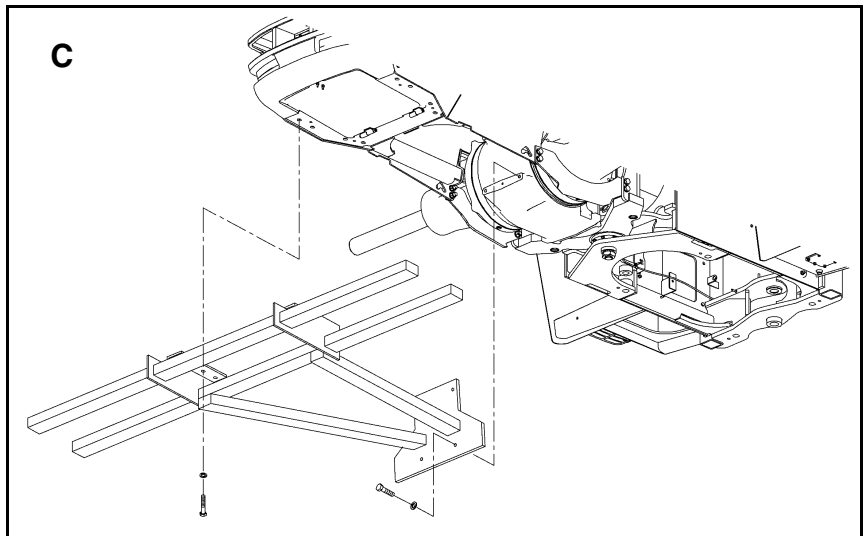


MA00K025



100 MM
(4 INCH)
MINIMUM

MA00K026



MA00K027

CHEMICAL TANK MOUNTING



WARNING: ADDITIONAL CARE MUST BE TAKEN WHEN OPERATING A TRACTOR WITH CHEMICAL TANKS. OPERATING, HANDLING AND BRAKING PERFORMANCE OF THE TRACTOR MAY BE AFFECTED. AVOID HIGH SPEED OPERATION. TRAVEL SPEED SHOULD BE SUCH THAT COMPLETE CONTROL AND MACHINE STABILITY IS MAINTAINED AT ALL TIMES.

M418

Chemical tanks and mounting are not factory supplied. Chemical tanks can be mounted on each front side of the tractor. The maximum tank capacity for side mounted installation is two 350 gallon (1326 liter) tanks.

To avoid structural damage, vendor supplied chemical tanks must be installed according to the following instructions:

1. Side mounted chemical tanks must be mounted in pairs with a rigid structure supporting both tanks (A). Side tanks must be interconnected so that the fluid level is the same in both tanks at all times.
2. Chemical tanks must be mounted as close to the front axle as possible. Front wheel tread setting is not affected by side tank installation, however the shape and/or size of the tanks can be affected by the required 100 mm (4 inch) minimum clearance in front of the tires (B).
3. The tank support structure must be attached to the front frame belly pan in the same location as the front suitcase weight support frame using class 10.9 fasteners (C).

IMPORTANT: *The tanks MUST NOT be individually supported by the tractor side frames.*

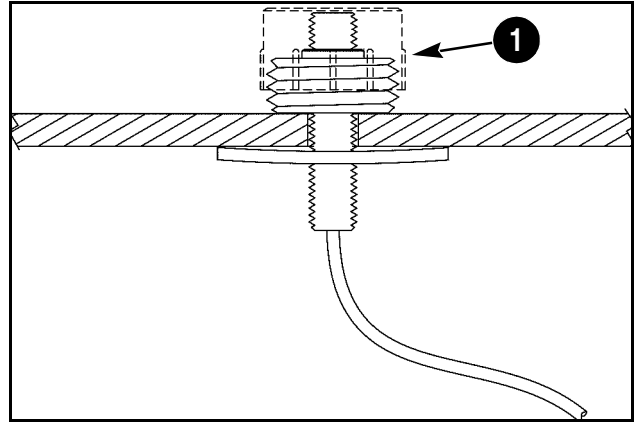
4. To reduce the dynamic forces associated with chemical tanks, the tank support structure must also have a rigid type brace extending from each side of the tank support structure to the front side of the front axle center housing. Use the existing pre-drilled and tapped 20 mm holes in the center housing to attach the braces using class 10.9 fasteners (C).
5. Front tanks must be mounted to allow the cleanout trap door to open and allow unrestricted access to all service points.
6. Refer to the Tire Load And Inflation Tables in this manual for the correct tire size and load capacity for your application. Tires must be inflated to the correct load capacity to support the added weight. To avoid exceeding tire load capacity, remove all front wheel weights.
7. Each U.S. gallon (3.8 liter) of tank capacity will add approximately 14 lb. (6.3 Kg) to the front axle weight and decrease rear axle weight. DO NOT exceed tire or tractor maximum operating weights.

IMPORTANT: *Tanks filled to capacity must not be used as primary ballast for heavy tillage operation.*

NOTE: *A generic chemical tank support structure is illustrated only to show acceptable attaching points. Final support structure design and testing is the responsibility of the manufacturer.*

BUSINESS BAND RADIO READY (If Equipped)

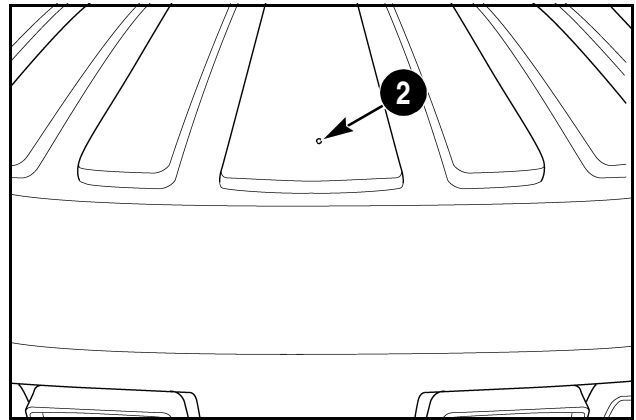
Provisions for installing business band radios have been provided for tractors equipped with the Business Band Radio Option. The antenna mast mounting threaded spud (1) and antenna lead wire (if equipped) are factory installed in the roof of the cab approximately 2 inches (50 mm) under the cab top. The spud is already wired with RF-58/U cable.



RH02H173

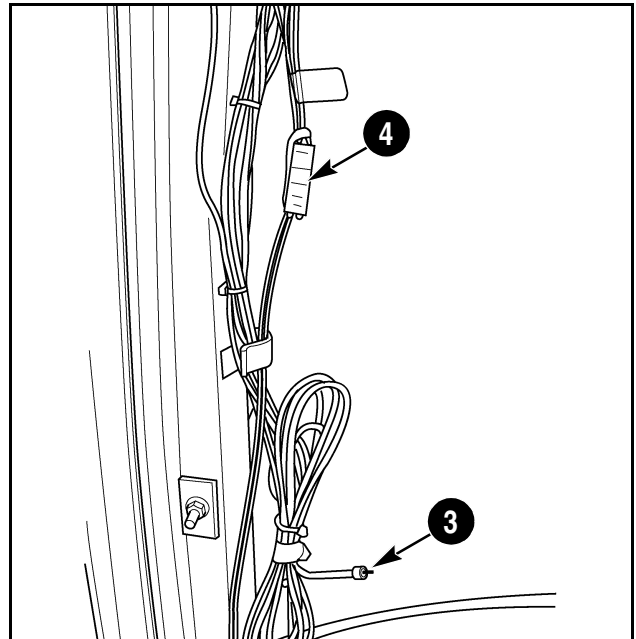
A locating dimple (2) in the cab top marks the location for drilling the hole for the antenna mast.

NOTE: The antenna mast for a one-quarter (1/4) wave UHF business band radio must be purchased locally and must be compatible with an Antenna Specialist Model K-794 low profile antenna mount. See Antenna Specialist at www.antenna.com for additional information.



MK00E007

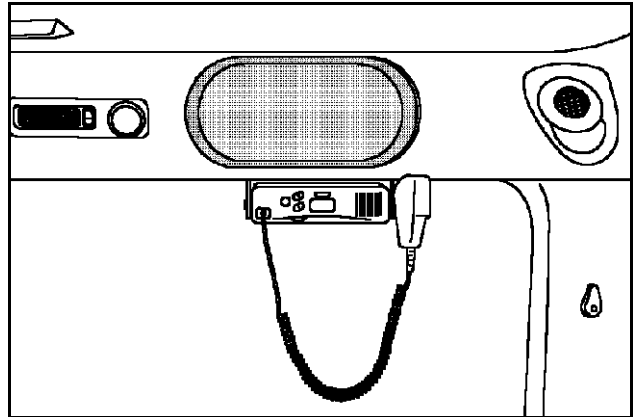
The radio antenna lead wire (if equipped) (3) and power and ground connector (4) are located under the right side rear ROPS post trim cover.



MK00E041

1-TO THE OWNER

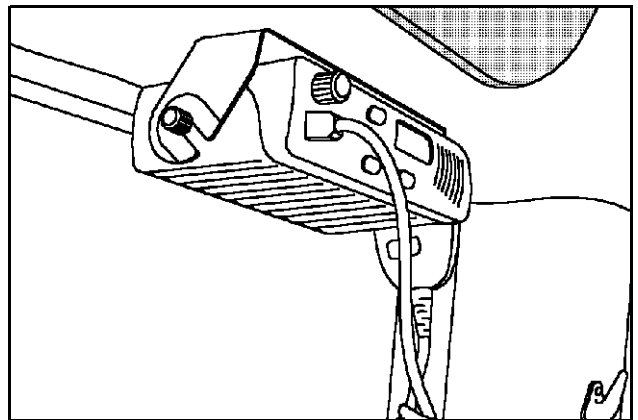
The recommended location for mounting the business band radio is under the RH stereo speaker box. The mounting bracket supplied with the radio must be used.



RI01009

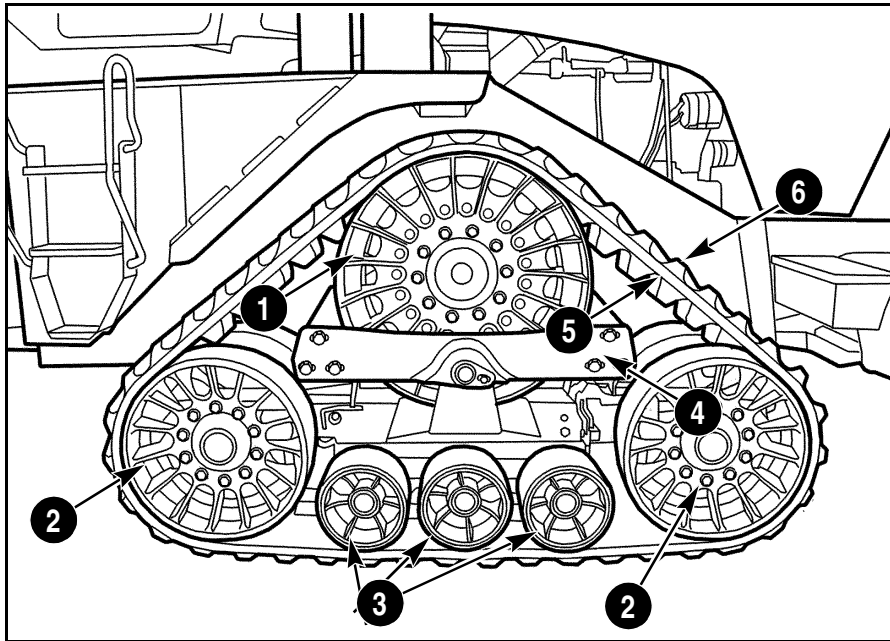
If necessary, the stereo speaker may be removed to install the radio mounting bracket.

NOTE: See your Case IH dealer for additional information and procedures for installing a business band radio if your tractor is not business band radio ready.



RI01D008

PRE-CONDITIONING NEW TRACKS (IF EQUIPPED)



1. DRIVE WHEEL
2. IDLER WHEEL

3. ROLLER WHEELS
4. UNDERCARRIAGE

5. BELT DRIVE LUGS
6. BELT TRACTION LUGS

TRACK AND UNDERCARRIAGE

Pre-Conditioning Rubber Tracks

New rubber tracks must be pre-conditioned BEFORE initial use and before roading the tractor on clean hard roads to reduce accelerated belt scuffing.

New tracks should be pre-conditioned with dirt or some other non-caustic particulate material. This is done by spreading a thin layer of the material over the entire undercarriage engaging surface of the belts and driving the tractor slowly for a brief time. The silica present in dirt or similar material will act as a lubricant and help the track conditioning process.

Conditioning may need to be done more than once if the tractor is roaded for extended distances.

After initial conditioning, the tractor should be operated in normal tillage operations to further condition the tracks. The track conditioning process should be closely monitored for the first 150 hours of service. After a reasonable amount of field time the drive lug contact areas will SURFACE-HARDEN and become more resistant to heat and scuffing.

If accelerated scuffing should occur with high heat on the drive lugs, see Track Alignment and Track Rotation section of this manual or contact your dealer for service.

Hard Surface Road Transporting

Long distance, hard surface roading of QUADTRAC model tractors carrying HEAVY LOADS such as; full chemical tanks, TPH mounted equipment, or loaded scrapers must be avoided whenever possible.

High speed roading for long distances with heavy loads can cause the tracks to overheat and cause severe damage.

If hard surface road transporting of heavy equipment cannot be avoided, the operator MUST reduce speed periodically during transport to allow the tracks to cool, and/or pull over and stop to check the tracks for overheating.

Buy Now



Our support email:

ebooklibonline@outlook.com