

**LX330 Loader  
For DX23 and DX26 Tractors**

**Operator's Manual**

**87541772**  
1st Printing



---

# TO THE OWNER

This manual contains information concerning the adjustment and maintenance of your Case IH LX330 Loader. You have purchased a dependable machine, but only by proper care and operation can you expect to receive the performance and long service built into this loader. Please have all operators read this manual carefully and keep it available for ready reference.

This loader was designed to be used with Case IH DX23 and DX26 tractors. It is intended to load and move materials with a variety of buckets and attachments. The LX330 loader is designed for normal and customary agricultural and residential applications.


Your Case IH dealer will instruct you in the general operation of your loader. (Refer to the "Delivery Report" at the back of this manual.) Your dealer's staff of factory-trained service technicians will be glad to answer any questions that may arise regarding the operation of your loader.

Your Case IH dealer carries a complete line of genuine Case IH service parts. These parts are manufactured and carefully inspected to insure high quality and accurate fitting of any necessary replacement parts. Be prepared to give your dealer the model and product identification number of the loader, when ordering parts. Locate these numbers now and record them below. Refer to the "General Information" section of this manual for the location of the model and product identification numbers of your loader.

Loader Model \_\_\_\_\_ Tractor Model \_\_\_\_\_

Loader PIN Number \_\_\_\_\_ Tractor PIN Number \_\_\_\_\_

## PRODUCT IDENTIFICATION PLATE

		CNH America LLC Racine, WI 53404 U.S.A.	
		Made In Japan	
Product Identification Number			
<input type="text"/>			
Engine		Unit	
<input type="text"/>		<input type="text"/>	
Transmission		Model	
<input type="text"/>		<input type="text"/>	



This safety alert symbol indicates important safety messages in this manual. When you see this symbol, carefully read the message that follows and be alert to the possibility of personal injury or death.



Pictures in this manual may show protective shielding open or removed to better illustrate a particular feature or adjustment.

Be certain, however, to close or replace all shielding before operating the machine.

---

# IMPROVEMENTS

CNH America LLC is continually striving to improve its products. We reserve the right to make improvements or changes when it becomes practical and possible to do so, without incurring any obligation to make changes or additions to the equipment sold previously.

---

# CONTENTS

<b>SAFETY .....</b>	<b>0-5</b>
<b>GENERAL INFORMATION .....</b>	<b>1-1</b>
<b>OPERATION .....</b>	<b>2-1</b>
<b>MAINTENANCE/LUBRICATION AND ASSEMBLY .....</b>	<b>3-1</b>
<b>TROUBLESHOOTING .....</b>	<b>4-1</b>
<b>SPECIFICATIONS .....</b>	<b>5-1</b>
<b>INDEX .....</b>	<b>5-7</b>
<b>DELIVERY REPORT .....</b>	<b>5-9</b>

---

**CALIFORNIA**

**Proposition 65 Warning**

**Diesel engine exhaust and some of its constituents are known to the State of California to cause cancer, birth defects, and other reproductive harm.**

**Battery posts, terminals and related accessories contain lead and lead compounds, chemicals known to the State of California to cause cancer and birth defects or other reproductive harm. Wash hands after handling.**

---

# PRECAUTIONARY STATEMENTS

## PERSONAL SAFETY

Throughout this manual and on machine decals, you will find precautionary statements (“**DANGER**”, “**WARNING**”, and “**CAUTION**”) followed by specific instructions. These precautions are intended for the personal safety of you and those working with you. Please take the time to read them.



**DANGER**



This word “**DANGER**” indicates an immediate hazardous situation that, if not avoided, will result in death or serious injury. The color associated with Danger is RED.

---



**WARNING**



This word “**WARNING**” indicates a potentially hazardous situation that, if not avoided, could result in death or serious injury. The color associated with Warning is ORANGE.

---



**CAUTION**



This word “**CAUTION**” indicates a potentially hazardous situation that, if not avoided, may result in minor or moderate injury. It may also be used to alert against unsafe practices. The color associated with Caution is YELLOW.

---

**FAILURE TO FOLLOW THE “DANGER”, “WARNING”, AND “CAUTION” INSTRUCTIONS MAY RESULT IN SERIOUS BODILY INJURY OR DEATH.**

## MACHINE SAFETY

The precautionary statement (“**IMPORTANT**”) is followed by specific instructions. This statement is intended for machine safety.

**IMPORTANT:** *The word “IMPORTANT” is used to inform the reader of something he needs to know to prevent minor machine damage if a certain procedure is not followed.*

## INFORMATION

**NOTE:** *Instructions used to identify and present supplementary information.*

---

# SAFETY

## PRECAUTIONARY STATEMENTS

A careful operator is the best operator. Most accidents can be avoided by observing certain precautions. To help prevent accidents, read the following precautions before operating this equipment. Equipment should be operated only by those who are responsible and instructed to do so.

Carefully review the procedures given in this manual with all operators. It is important that all operators be familiar with and follow safety precautions.

### GENERAL

1. Read the Operator's manual completely and thoroughly before using the tractor or loader. Lack of operating knowledge can lead to serious accidents.
2. Operate the tractor only from the operator's seat.
3. Replace damaged, missing or illegible safety decals. See the "Safety Decal" section in this manual for proper location of all safety decals.

### THE TRACTOR

1. Use approved rollover protection and seat belt for safe operation. Overturning a tractor without an approved roll bar could result in serious injury or death. If the tractor is not equipped with the proper rollover protection, see your tractor dealer to obtain the proper parts. If the tractor is equipped with a cab, make certain the cab is approved for rollover protection.
2. Equip the tractor with a FOPS (Falling Object Protective Structure) and seat belt before installing or operating a loader.
3. Always use the seat belt on tractors equipped with a roll bar or cab. Do not use a seat belt if operating the tractor without a roll bar or cab.
4. Add the recommended wheel ballast and/or rear weight as recommended in the Owners manual to provide adequate stability when using a loader.
5. Position the wheels to the tractor manufacturer's widest recommended settings to increase stability.
6. Move and turn the tractor at low speeds.
7. Before starting the engine, be sure all operating controls are in the neutral or park position. This will eliminate accidental movement of the machine or start up of power driven equipment.

8. Before leaving the tractor, stop the engine, put all controls in neutral, engage the park brake and remove the key from the key switch.
9. When transporting the loader, engage the loader control neutral lock to prevent accidental cycling of the loader.

### THE LOADER

1. Improper use of a loader can cause serious injury or death.
2. NEVER use the loader to lift or carry anyone with the bucket, frame or attachment. Serious injury or death could result from falling off the tractor or loader during transport or operation.
3. NEVER allow anyone to get under the loader bucket or reach through the lift arms when the bucket is in the raised position.
4. Do not walk or work under a raised loader, bucket or attachment unless it is securely blocked or held in position. Accidental movement of a control lever or a leak in the hydraulic system could cause the main frame to drop, or attachment to dump causing severe injury or death.
5. Make sure all dismantled loaders on park stands are on a hard level surface with all safety devices engaged to prevent the parked loader from falling and being damaged or injuring someone.
6. Do not repair, remove or replace any parts of the loader while in the dismantled, parked position.
7. Avoid overhead wires and obstacles when the loader is raised. Contacting overhead electrical lines can cause severe electrical burns or death from electrocution. Make certain sufficient clearance is available before raising the loader.

---

## OPERATING THE LOADER

1. The equipment owner is responsible to make certain that all operators read this manual thoroughly and understand the safety precautions and proper operating procedures. Be certain all operators are qualified before allowing operation.
2. Always check with proper authorities for underground utilities before digging.
3. Exercise caution when operating the loader with a raised bucket or attachment.
4. Avoid loose fill, rocks and holes. These are dangerous conditions for loader operation or transport.
5. Use caution when operating on steep grades. Always carry the bucket or attachment in the lowest possible position to maintain maximum stability. Select the proper gear **BEFORE** attempting to travel on a steep grade. Avoid shifting on grades and never "free wheel".
6. Be sure to allow for the length of the loader when making turns or working in confined areas.
7. Stop the loader arms gradually when raising or lowering the loader.
8. Carry the bucket or attachment as low as possible to increase visibility and stability during transport.
9. When parked or during servicing of the loader, lower the bucket to the ground, stop the engine, set the park brake and remove the key from the key switch. Special care should be taken to park or store attachments with sharp points or edges in a safe manner.
10. Do not operate loader controls unless properly seated in the operator's seat.
11. **NEVER** attempt to handle large, heavy objects such as large round or rectangle bales, logs or oil drums unless the specific special attachments are used. Handling such objects is not recommended without special equipment.
12. Handling large heavy objects can be dangerous due to the following:
  - danger of overturning the tractor
  - danger of upending the tractor
  - danger of the object rolling or sliding down the loader arms onto the operator
13. If the type of work in precaution # 12 must be performed adhere to the following:
  - always use the proper attachment
  - never lift the load higher than necessary to clear the ground while moving
  - ballast the rear of the tractor to compensate for the weight of the load
  - never lift large or heavy objects with equipment that does not have an anti-rollback device
  - move slowly and carefully, avoiding rough or uneven terrain
14. Loader lift capacity and break-away capacity diminish as the loader height is increased. Use care not to grasp more material than the loader is designed to handle.

---

## MAINTENANCE

1. Always wear eye protection when servicing or repairing the loader.
2. Do not modify, alter or permit anyone else to modify or alter the loader or any of its components or functions without first consulting a Case IH dealer. Contact your dealer with questions about the loader.
3. Escaping hydraulic fluid or diesel fuel under pressure can penetrate the skin causing serious injury. To prevent serious personal injury:
  - DO NOT use your hand to check for suspected leaks under pressure
  - Use a piece of cardboard or heavy paper to search for leaks
  - Stop the engine and relieve the pressure in the system before connecting or disconnecting hydraulic or diesel lines and fittings
- Tighten all lines and fittings before starting the engine and pressurizing the system
- If any fluid is injected into the skin, obtain medical attention IMMEDIATELY to avoid the onset of Gangrene
4. DO NOT tamper with or change the relief valve settings. The relief valve is preset at the manufacturer for optimum performance and safety. Changing the settings may cause overloading of the tractor hydraulic system resulting in equipment failure and/or serious operator injury.
5. When servicing or replacing the pins in the cylinder ends, bucket, etc., always use a brass drift. Failure to do so could result in equipment damage and/or personal injury due to flying metal fragments.



**WHEN YOU SEE THIS SYMBOL  
IT MEANS:  
ATTENTION!  
BECOME ALERT!  
YOUR SAFETY IS INVOLVED!**



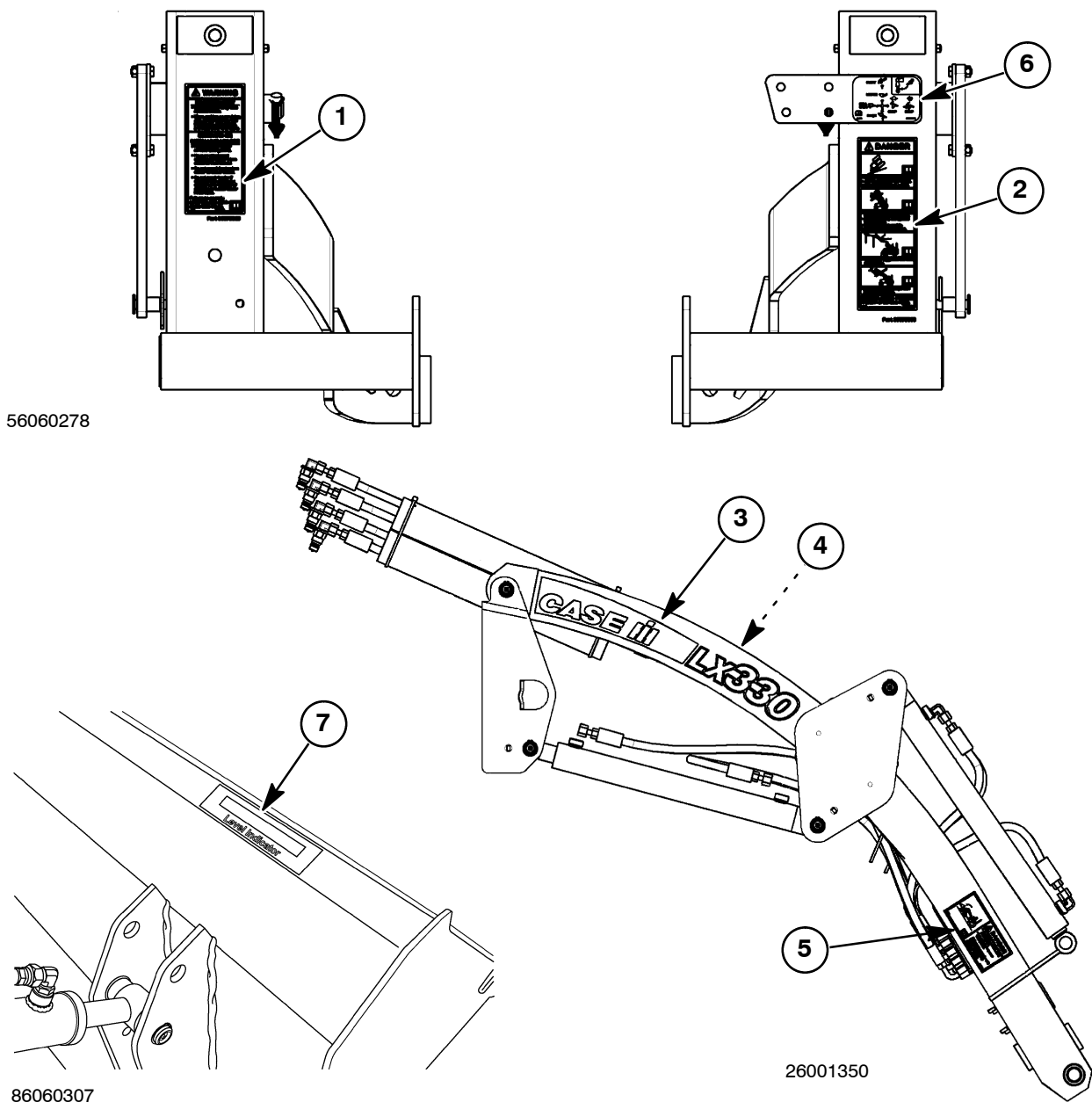
## SAFETY DECALS

The safety decals shown, have been placed on your machine for your personal safety and the safety of those working with you. Please take this manual and walk around your machine to note the content and location of these warning signs. Review these warning signs and operating instructions detailed in this manual with all machine operators.

Make sure the decals remain legible. If they become illegible or lost at any time, obtain replacements immediately from your Case IH dealer.

**IMPORTANT:** *Be a safe operator. Thoroughly acquaint yourself with the following before attempting to operate the loader:*

- The safety information in the tractor and loader Operator's Manuals
- The operating instructions in the tractor and loader Operator's Manuals
- The controls and functions on the loader and tractor.



**Buy Now**



Our support email:

[ebooklibonline@outlook.com](mailto:ebooklibonline@outlook.com)