

Magnum 215, 245, 275 and 305 Series Tractors

Operator's Manual

87572967
1st Printing

CASE *III*




THIS SAFETY ALERT SYMBOL INDICATES IMPORTANT SAFETY MESSAGES IN THIS MANUAL. WHEN YOU SEE THIS SYMBOL, CAREFULLY READ THE MESSAGE THAT FOLLOWS AND BE ALERT TO THE POSSIBILITY OF DEATH OR SERIOUS INJURY.

M171C

If Safety Decals on this machine use the words **Danger, Warning or Caution**, which are defined as follows:

- **DANGER:** Indicates an immediate hazardous situation that, if not avoided, will result in death or serious injury. The color associated with Danger is RED.
- **WARNING:** Indicates a potentially hazardous situation that, if not avoided, could result in death or serious injury. The color associated with Warning is ORANGE.
- **CAUTION:** Indicates an potentially hazardous situation that, if not avoided, may result in minor or moderate injury. It may also be used to alert against unsafe practices. The color associated with Caution is YELLOW.

If Safety Decals on this machine are ISO two panel pictorial, decals are defined as follows:

- The first panel indicates the nature of the hazard.
- The second panel indicates the appropriate avoidance of the hazard.
- Background color is YELLOW.
- Prohibition symbols such as   and  if used, are RED.



WARNING

IMPROPER OPERATION OF THIS MACHINE CAN CAUSE DEATH OR SERIOUS INJURY. BEFORE USING THIS MACHINE, MAKE CERTAIN THAT EVERY OPERATOR:

- Is instructed in safe and proper use of the machine.
- Reads and understands the Manual(s) pertaining to the machine.
- Reads and understands ALL Safety Decals on the machine.
- Clears the area of other persons.
- Learns and practices safe use of machine controls in a safe, clear area before operating this machine on a job site.

It is your responsibility to observe pertinent laws and regulations and follow CNH America LLC instructions on machine operation and maintenance.

CASE IH TECHNICAL MANUALS

Manuals are available from your Dealer for the operation, service and repair of your machine. For prompt, convenient service, contact your Dealer for assistance in obtaining the manuals for your machine.

Your Dealer can expedite your order for operator's manuals, parts catalogs, service manuals and maintenance records.

Always give the Machine Name, Model and P.I.N. (product identification number) or S.N. (serial number) of your machine so your Dealer can provide the correct manuals for your machine.

CALIFORNIA

Proposition 65 Warning

Diesel engine exhaust and some of its constituents are known to the State of California to cause cancer, birth defects, and other reproductive harm.

Battery posts, terminals and related accessories contain lead and lead compounds. Wash hands after handling.

NOTE: CNH America LLC reserves the right to make improvements in design or changes in specifications at any time without incurring any obligation to install them on units previously sold.

GENERAL TABLE OF CONTENTS

1 – TO THE OWNER	1
STATEMENT OF TRACTOR INTENDED USE	1
OPERATOR'S MANUAL STORAGE COMPARTMENT	1
PRODUCT IDENTIFICATION AND SERIAL NUMBERS	3
MACHINE COMPONENTS	5
BUSINESS BAND RADIOS	7
2 – SAFETY/DECALS	8
SAFETY RULES	8
PERSONAL SAFETY	11
INSTRUCTIONAL SEAT SAFETY	11
MAINTENANCE SAFETY	12
FIRE SAFETY	12
BATTERY SAFETY	12
MACHINE OPERATION AND ROLL-OVER SAFETY	13
HAZARDOUS CHEMICALS	13
SAFETY DECALS	14
ROLLOVER PROTECTIVE STRUCTURE (ROPS)	19
CAB STRUCTURAL FRAME (CSF)	19
CLEANING CAB WINDOWS	20
INTERIOR REAR VIEW MIRROR	20
SEAT BELTS	21
TRACTOR WARNING LAMPS AND SLOW MOVING VEHICLE (SMV) SYMBOL	22
IMPLEMENT WARNING LAMPS AND SMV SYMBOL	25
SAFETY CHAIN	26
3 – OPERATING CONTROLS	27
TRACTOR ACCESS	27
OPERATOR SEAT CONTROLS	28
INSTRUCTIONAL SEAT (IF EQUIPPED)	30
STEERING COLUMN CONTROLS	31
CENTER CONSOLE CONTROLS	33
FOOT PEDALS	35
RIGHT HAND CONSOLE CONTROLS	36
ARMREST CONSOLE CONTROLS	43
RIGHT HAND FENDER CONTROLS	46
AUTOMATIC TEMPERATURE CONTROL SYSTEM (IF EQUIPPED)	52
REAR WINDOW	57
DOME LAMP	57
MAP LAMP (IF EQUIPPED)	58
STORAGE COMPARTMENT	58
RADIO (IF EQUIPPED)	58
MP3 PLAYER JACK (IF EQUIPPED)	59
SUN SHADE (IF EQUIPPED)	59
INTERIOR REAR VIEW MIRROR	59
EXTENDABLE MIRRORS (IF EQUIPPED)	60
UTILITY CONSOLE	60
4 – INSTRUMENTATION	61
INSTRUMENTATION CLUSTER	61
PROGRAMMING THE DISPLAY MONITOR	67
OPERATOR ADJUST MENU	72
WARNING/FAULT DISPLAYS	75
INSTRUMENTATION CLUSTER	81

5 – OPERATING INSTRUCTIONS	96
BEFORE STARTING THE ENGINE	96
SERVICE INDICATOR LAMPS AND DISPLAYS	97
SEAT BELTS	98
STARTING THE ENGINE	99
STOPPING THE ENGINE	101
COLD TEMPERATURE OPERATION	102
POWER SHIFT TRANSMISSION	105
TRANSMISSION	106
SHUTTLE SHIFTING	109
AUTOSHIFT OPERATION	112
SUSPENDED MFD AXLE OPERATION (IF EQUIPPED)	125
CUSHION HITCH RIDE CONTROL OPERATION (IF EQUIPPED)	126
CONSTANT ENGINE SPEED OPERATION	128
TOWING THE TRACTOR	129
HOW TO TRANSPORT THE TRACTOR	132
6 – FIELD OPERATION	133
GENERAL PROCEDURES FOR CONNECTING IMPLEMENTS	133
POWER TAKEOFF (PTO)	135
THREE POINT HITCH	150
HITCH OPERATION	168
DRAWBAR PREPARATION	183
REMOTE HYDRAULICS	189
LOADER OPERATION	206
CHEMICAL TANK MOUNTING	207
AUXILIARY POWER CONNECTIONS	209
MONITOR MOUNTING	212
GROUND SPEED SENSOR CONNECTOR	213
TRAILER BRAKE CONNECTOR (IF EQUIPPED)	214
CAB STEPS	216
7 – IN-FIELD PERFORMANCE	217
DIFFERENTIAL LOCK	217
MFD OPERATION	220
BALLASTING YOUR TRACTOR FOR OPTIMUM PERFORMANCE	224
WHEEL SLIP	248
POWER HOP	250
MECHANICAL FRONT DRIVE (MFD) AXLES	251
MFD STEERING AND OSCILLATION STOPS	258
FRONT WHEEL FENDERS (IF EQUIPPED)	266
REAR AXLE	270
TRACTOR JACKING POINTS	273
REAR WHEEL TREAD SETTING - SINGLES	275
REAR WHEEL TREAD SETTING - DUALS	277
REAR WHEEL TREAD SETTING - TRIPLES	286
8 – LUBRICATION/FILTERS/FLUIDS/MAINTENANCE	289
ENVIRONMENT	289
PLASTIC AND RESIN PARTS	289
TOOL BOX (IF EQUIPPED)	289
SYSTEM CAPACITIES	290
OPENING THE HOOD	294
LUBRICATION/MAINTENANCE CHART	296

9 – ELECTRICAL SYSTEM	342
SPECIFICATIONS	342
RADIO REGIONAL PROGRAMMING	346
BATTERY SYSTEM SERVICING	347
BULB AND LAMP REPLACEMENT	350
10 – SPECIFICATIONS	366
DIESEL ENGINE	366
POWER TRAIN	367
TRAVEL SPEEDS	370
MAXIMUM RECOMMENDED OPERATING WEIGHTS	373
INDEX	375

TO THE OWNER

This manual contains important information about the safe operation, adjustment and routine maintenance of your Case IH Magnum Series Tractor. The manual is divided into ten sections as outlined in the General Table of Contents Page(s). Refer to the Detail Index at the end of this manual for locating specific items about your tractor.

DO NOT operate or permit anyone to operate or service this machine until you or the other persons have read this manual. Use only trained operators who have demonstrated the ability to operate and service this machine correctly and safely.

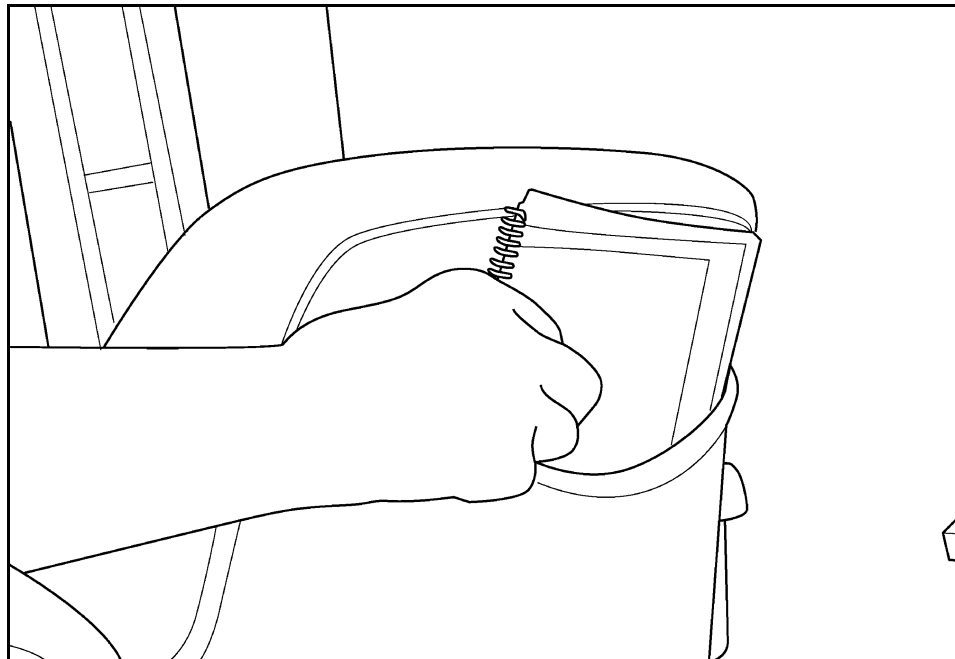
This Operator's Manual should be stored in the manual compartment on this machine. Make sure this manual is in good condition. Contact your Case IH dealer to obtain additional manuals. Contact your dealer for any further information or assistance about your machine. Your dealer has Case IH approved service parts. Your dealer has technicians with special training that know the best methods of repair and maintenance for your tractor.

STATEMENT OF TRACTOR INTENDED USE

The Case IH Magnum Series Tractor, with standard equipment and authorized attachments, is intended to be used for customary farming, land leveling and related agriculture operations. Do not use this machine for any purpose other than those described in this manual.

Consult an authorized dealer or Case IH on changes, additions or modifications that may be required for this machine to comply with various regulations and safety requirements. Unauthorized modifications will cause serious injury or death. Anyone making such unauthorized modifications is responsible for the consequences.

OPERATOR'S MANUAL STORAGE COMPARTMENT

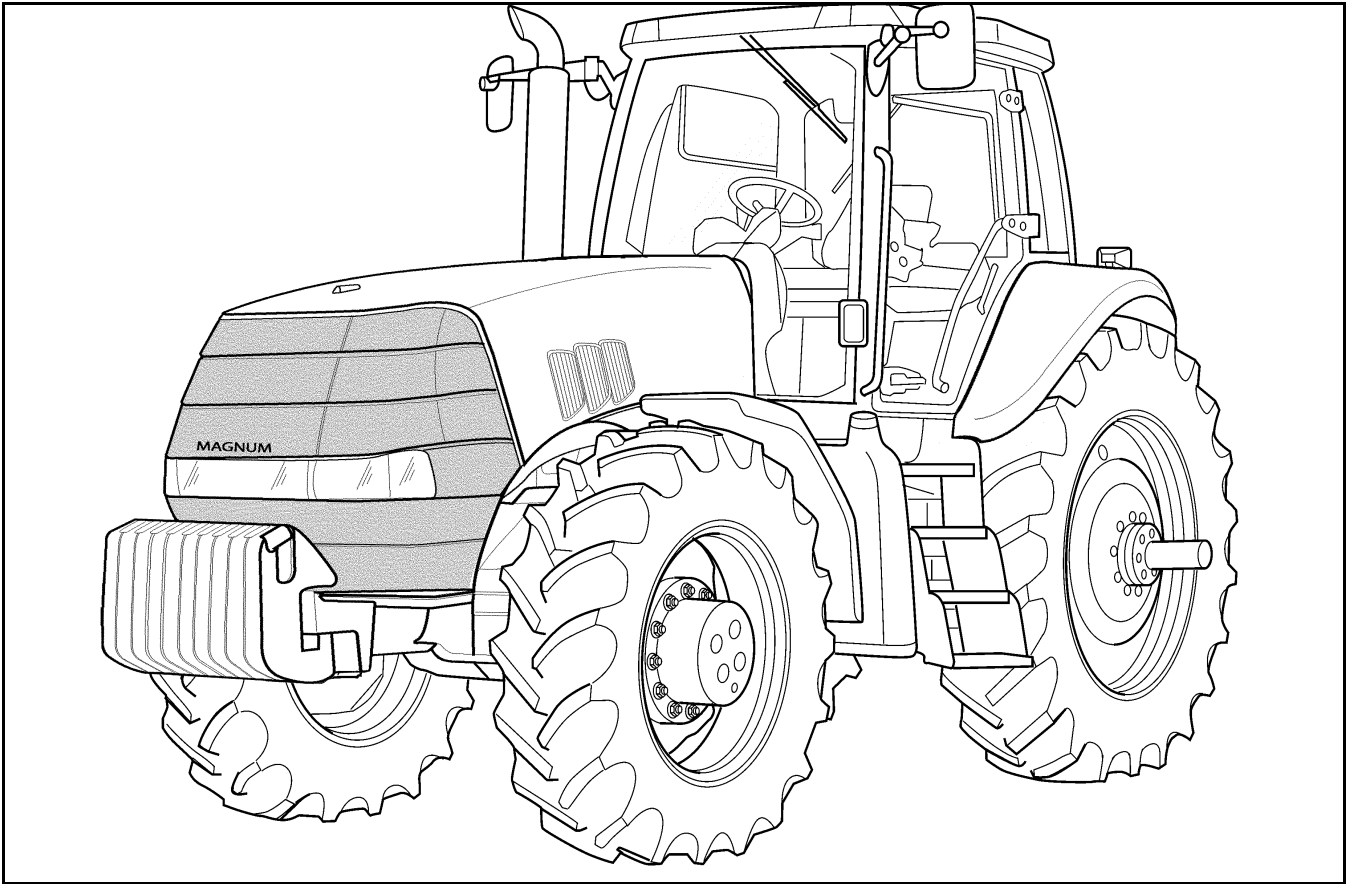


MK99H025

Keep the Operator's Manual in the storage compartment provided on your tractor. The Operator's Manual must be available for use by all operators.

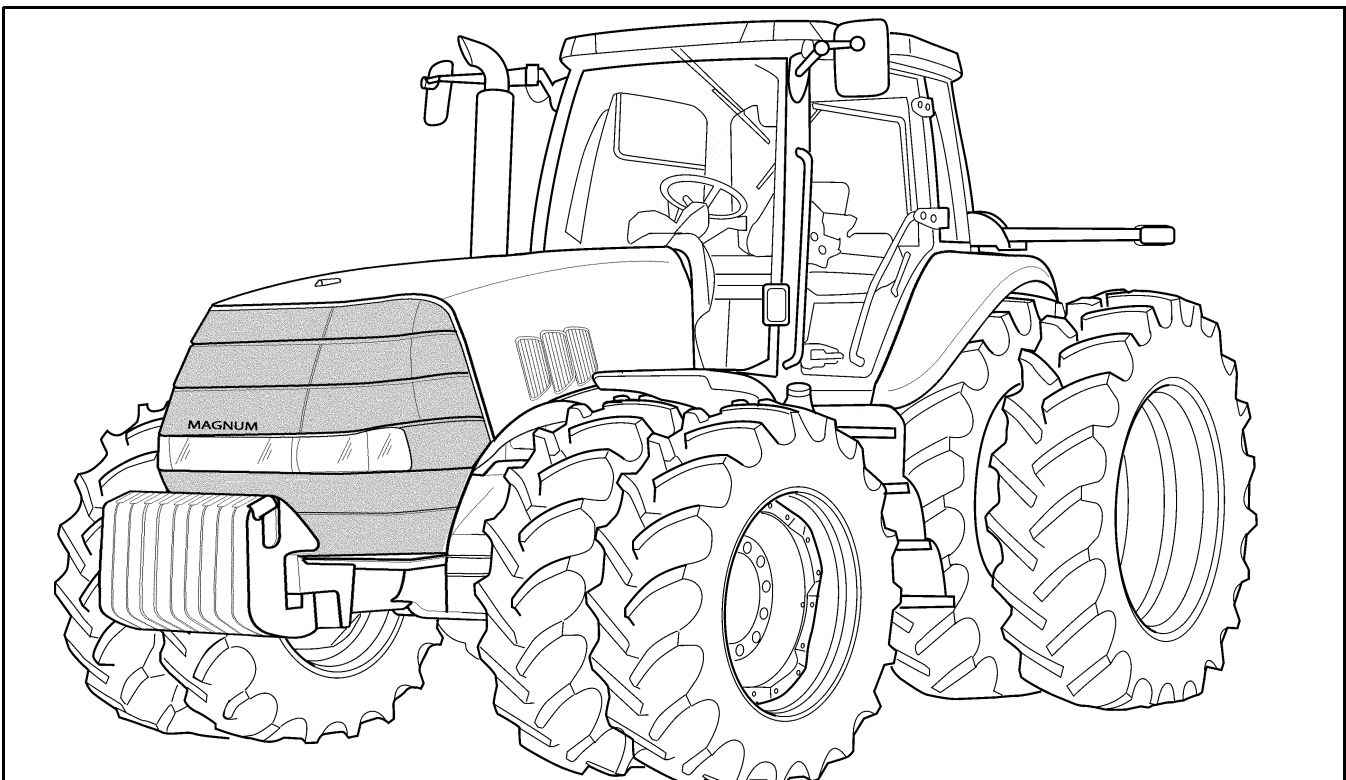
NOTE: *The right hand and left hand side of the tractor used in this manual are the same as your right hand and left hand when sitting in the tractor seat looking forward.*

MAGNUM SERIES TRACTOR



Magnum Tractor

RH02H168



Magnum Tractor with Front and Rear Duals

RH02H170

PRODUCT IDENTIFICATION AND SERIAL NUMBERS

Write your tractor Model Number, Product Identification Number (P.I.N.) and Serial Numbers of major components on the lines provided.

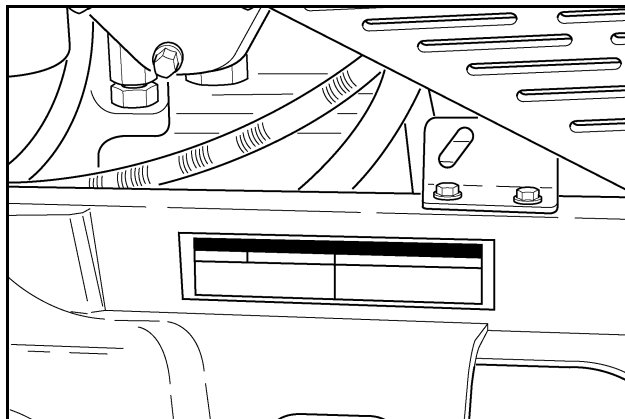
If needed, give these numbers to your Case IH dealer when you need parts or information for your machine.

TRACTOR MODEL AND PRODUCT IDENTIFICATION NUMBER

Model: _____

P.I.N. *: _____

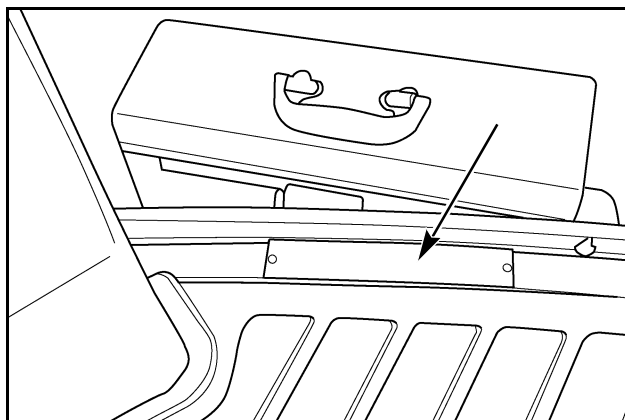
Located on right hand front frame casting.



RH02H283

ROLL OVER PROTECTION SYSTEM (ROPS) SERIAL NUMBER

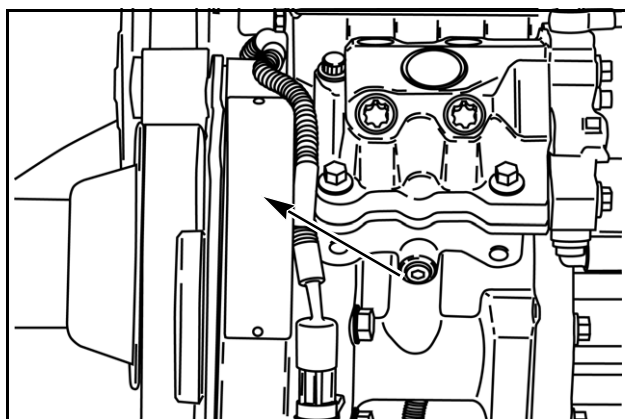
Located on the right hand cab floor.



RH02H174

ENGINE SERIAL NUMBER

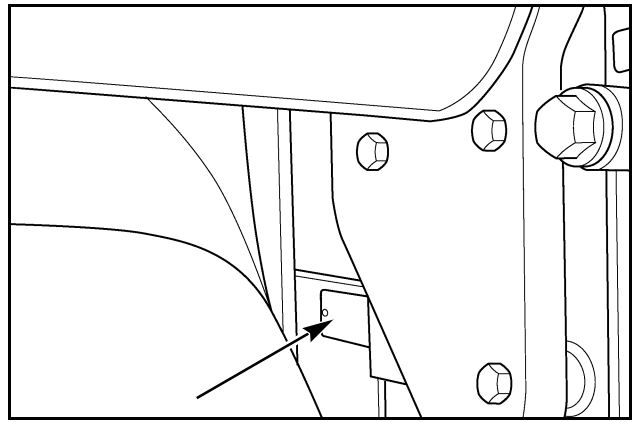
Located on front left hand side of engine.



RD05J163

TRANSMISSION SERIAL NUMBER

Located on the right hand side of the transmission behind the fuel tank and to the left of the ground stud.

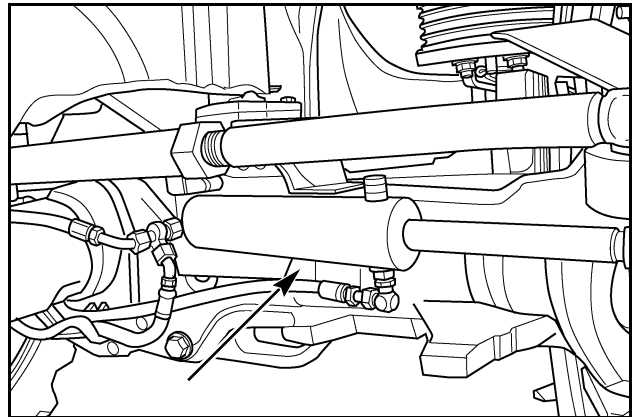


RH02H176

AXLE SERIAL NUMBER

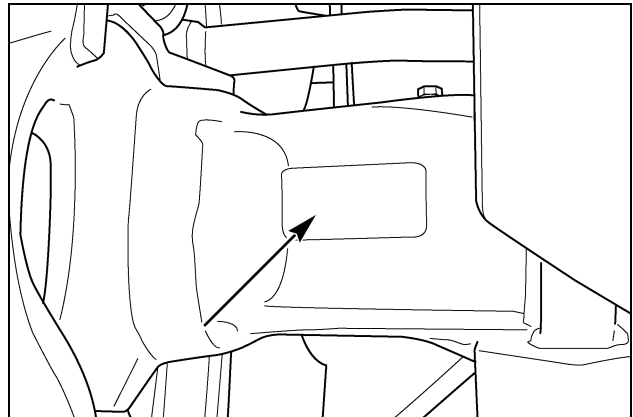
MFD AXLE: Located on the rear right hand side of the axle housing.

SUSPENDED AXLE: Located on the front right hand side of the axle housing.



RH02H178

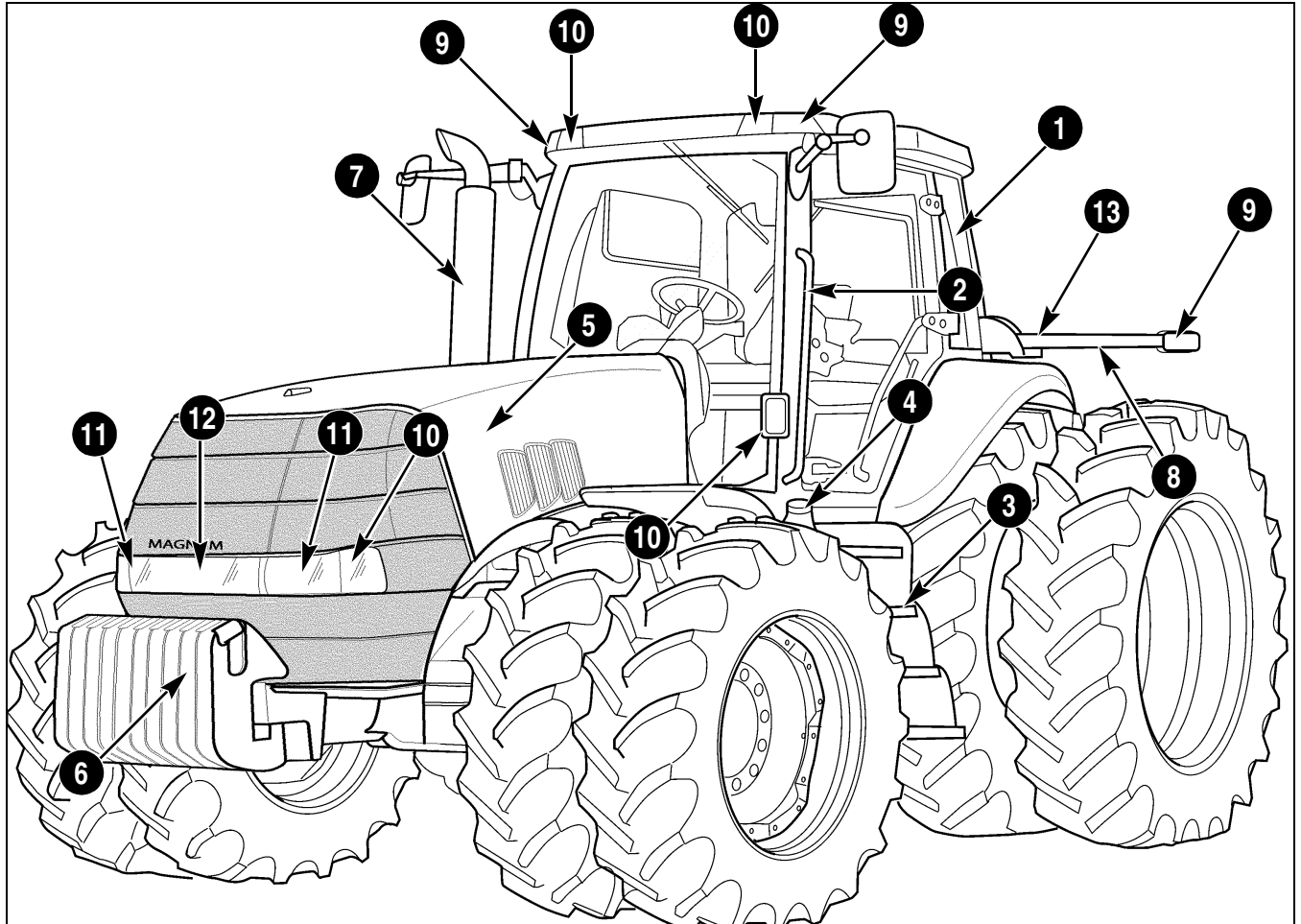
MFD Axle



RH02G351

Suspended Axle

MACHINE COMPONENTS



RH02H170

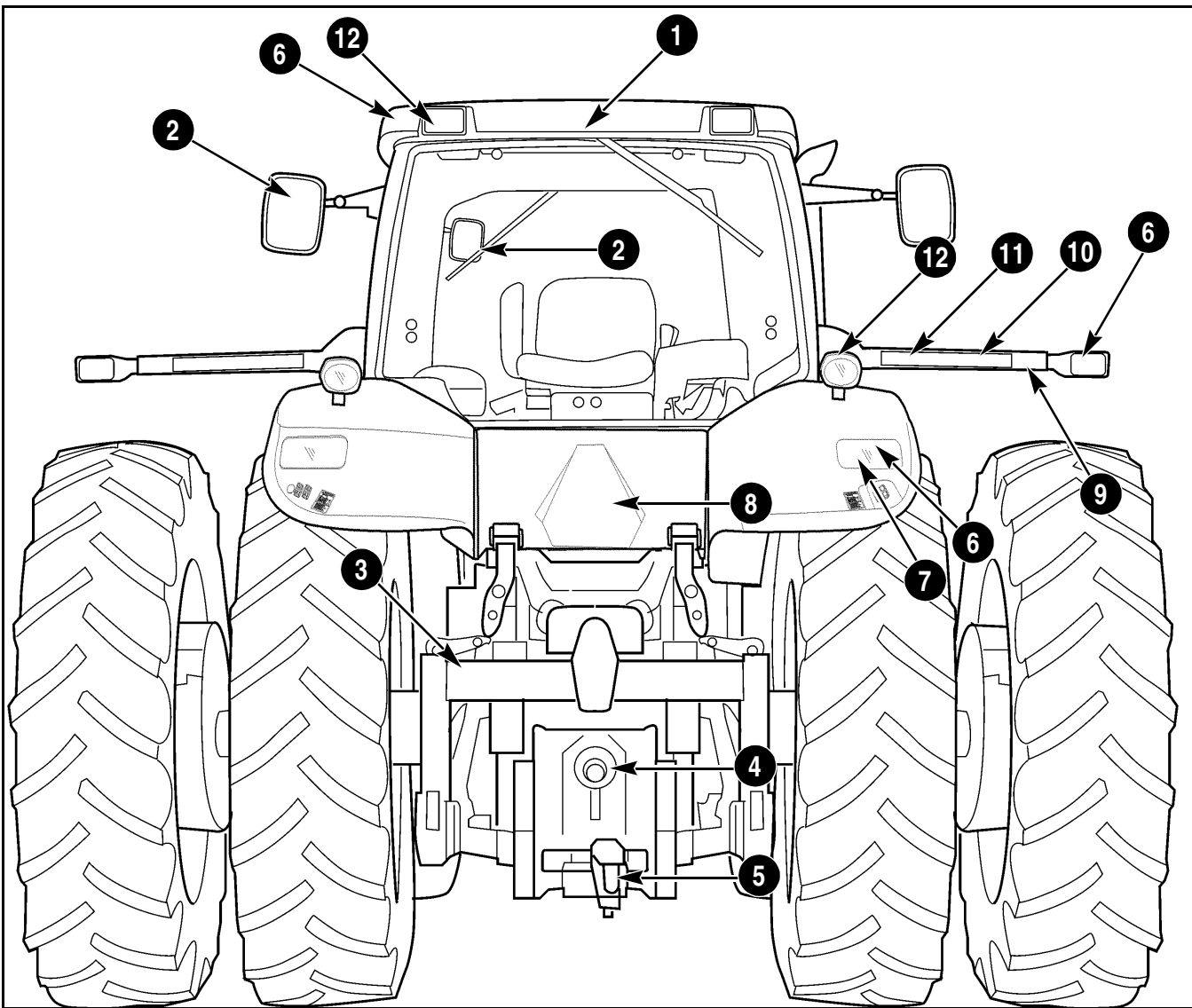
- 1. ROPS CAB
- 2. HAND RAIL
- 3. STEPS
- 4. FUEL TANK

- 5. HOOD
- 6. FRONT WEIGHTS
- 7. EXHAUST STACK
- 8. WIDE TRANSPORT MARKER

- 9. AMBER WARNING LAMP
- 10. WORK LAMPS
- 11. ROAD/WORK LAMPS
- 12. HID LAMP

- 13. AMBER REFLECTOR

1 - TO THE OWNER



RH02H171

- 1. ROPS CAB
- 2. REAR VIEW MIRROR
- 3. REAR HITCH

- 4. POWER TAKEOFF (PTO)
- 5. DRAWBAR
- 6. AMBER WARNING LAMPS

- 7. TAIL AND BRAKE LAMP
- 8. SMV SYMBOL
- 9. WIDE TRANSPORT MARKER

- 10. RED REFLECTOR
- 11. ORANGE REFLECTOR
- 12. ROOF AND FENDER WORK LAMPS/HID LAMPS

BUSINESS BAND RADIOS

The power supply harness and antenna cable with low profile mount for a business band radio are installed in tractors equipped with the business radio ready option. The business band radio, radio mounting bracket, and antenna are owner supplied.

The recommended mounting location for the business band radio is under and to the right of the AM/FM radio. The bracket supplied with the business band radio must be used.

The AM/FM radio must be removed for access to the power and antenna harnesses and for proper positioning of the bracket. Mount the business radio bracket to the AM/FM radio-mounting bracket (hidden by the headliner). Attach the microphone to the same bracket or the business band radio.

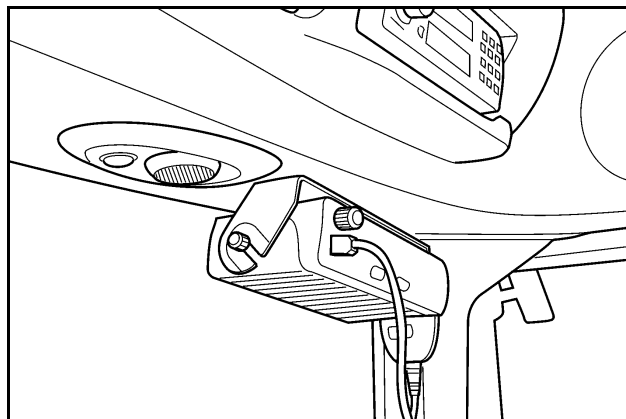
NOTE: When drilling mounting holes, do not damage any wiring harnesses. Use blunt tip screws of an appropriate length to install the bracket and avoid contact with the AM/FM radio or harnesses.

Route the power and antenna harnesses to the business band radio. Drill a hole through the headliner at this location, and use a grommet to protect the wires and cover the hole. The antenna mast mounting stud (1) is located on the cab roof near the operator's door. Remove the protective cap and install the antenna on the threaded stud.

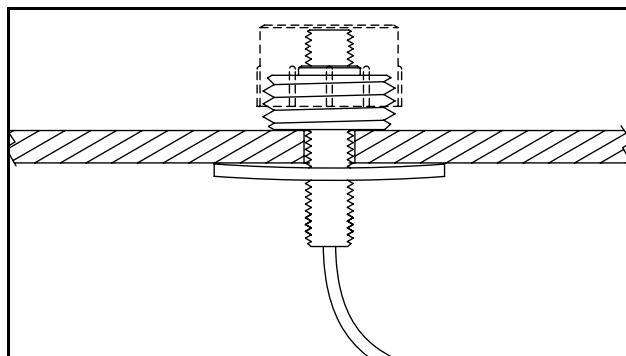
The stud is already wired with RF-58/U cable, which is routed behind the AM/FM radio for easy connection to your business band radio.

NOTE: The antenna mast must be purchased locally and must be compatible with an Antenna Specialist Model K-794 low profile antenna mount. See Antenna Specialists at www.antenna.com for additional information.

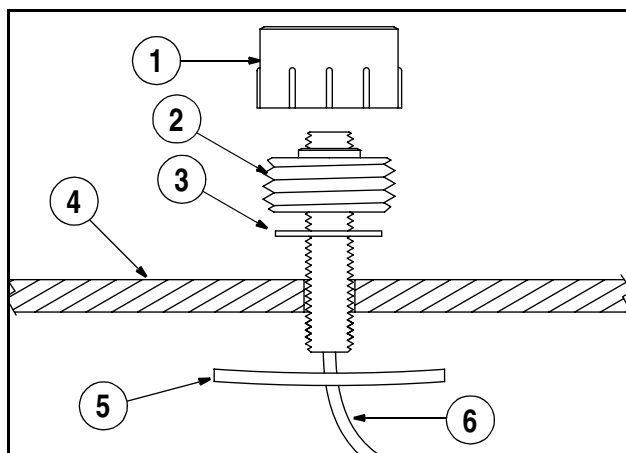
NOTE: See your Case IH dealer for additional information and procedures for installing a business band radio if your tractor is not business band radio ready.



RH02H164



RG02H173



RI02H010

- | | |
|-------------------|----------------------|
| 1. PROTECTIVE CAP | 4. CAB ROOF |
| 2. MOUNTING STUD | 5. THREADED FASTENER |
| 3. O-RING | 6. CABLE |

Buy Now



Our support email:

ebooklibonline@outlook.com