

**Magnum 215, 245, 275, 305, and
335 Series Tractors
After P.I.N. Number Z7RZ05000**

Operator's Manual

87612416
1st Printing
August, 2007

CASE IH

PERSONAL SAFETY



THIS SAFETY ALERT SYMBOL INDICATES IMPORTANT SAFETY MESSAGES IN THIS MANUAL. WHEN YOU SEE THIS SYMBOL, CAREFULLY READ THE MESSAGE THAT FOLLOWS AND BE ALERT TO THE POSSIBILITY OF DEATH OR SERIOUS INJURY. M171C




Throughout this manual and on the machine's safety decals, you will find precautionary statements: **DANGER**, **WARNING** or **CAUTION** followed by specific instructions or ISO two panel safety pictorial symbols. These precautions are intended for your personal safety.

Failure to follow the **DANGER**, **WARNING** or **CAUTION** instructions may result in death or serious bodily injury.

DANGER, **WARNING** or **CAUTION** are defined as follows:

- **DANGER:** Indicates an immediate hazardous situation that, if not avoided, will result in death or serious injury. The color associated with Danger is RED.
- **WARNING:** Indicates a potentially hazardous situation that, if not avoided, could result in death or serious injury. The color associated with Warning is ORANGE.
- **CAUTION:** Indicates a potentially hazardous situation that, if not avoided, may result in minor or moderate injury. It may also be used to alert against unsafe practices. The color associated with Caution is YELLOW.

ISO two panel **pictorial symbol decals** are defined as follows:

- The first panel indicates the nature of the hazard.
- The second panel indicates the appropriate avoidance of the hazard.
- Background color is YELLOW.
- Prohibition symbols such as   and  if used, are RED.



WARNING

IMPROPER OPERATION OF THIS MACHINE CAN CAUSE DEATH OR SERIOUS INJURY. BEFORE USING THIS MACHINE, MAKE CERTAIN THAT EVERY OPERATOR:

- Is instructed in safe and proper use of the machine.
- Reads and understands the Manual(s) pertaining to the machine.
- Reads and understands ALL Safety Decals on the machine.
- Clears the area of other persons.
- Learns and practices safe use of machine controls in a safe, clear area before operating this machine on a job site.

It is your responsibility to observe pertinent laws and regulations and follow CNH America LLC instructions on machine operation and maintenance.

CNH America LLC Technical Manuals

Manuals are available from your Dealer for the operation, service and repair of your machine. For prompt convenient service, contact your Dealer for assistance in obtaining the manuals for your machine.

Your Dealer can expedite your order for Operators Manuals, Parts Catalogs, Repair Manuals and maintenance records.

Always give the Machine Name, Model and P.I.N. (Product Identification Number) or S.N. (Serial Number) of your machine so your Dealer can provide the correct manuals for your machine.

CALIFORNIA

Proposition 65 Warning

Diesel engine exhaust and some of its constituents are known to the State of California to cause cancer, birth defects, and other reproductive harm.

Battery posts, terminals and related accessories contain lead and lead compounds. Wash hands after handling.

The company is continually striving to improve its products and therefore reserves the right to make improvements and changes when it becomes practical and possible to do so, without incurring any obligation to make changes or additions to the equipment sold previously.

All data given in this manual is subject to production variations. IMPORTANT: OPERATING AND SERVICE MESSAGES DISPLAYED ON THE ELECTRONIC OPERATING PANEL MAY VARY FROM WHAT IS SHOWN IN THE OPERATOR'S MANUAL. SHOULD THIS OCCUR ADHERE TO THE LATEST INSTRUCTION ON THE ELECTRONIC OPERATING PANEL.

Dimensions and weights are approximate only and the illustrations do not necessarily show the machine in standard condition. For exact information about any particular machine, please consult your dealer.

GENERAL TABLE OF CONTENTS

1 – TO THE OWNER	1
STATEMENT OF TRACTOR INTENDED USE	1
OPERATOR'S MANUAL STORAGE COMPARTMENT	1
TRANSPORT TOWED EQUIPMENT AT SAFE SPEEDS	2
PRODUCT IDENTIFICATION AND SERIAL NUMBERS	4
MACHINE COMPONENTS	6
BUSINESS BAND RADIOS	8
FRAME REINFORCEMENT KITS	9
2 – SAFETY/DECALS	10
SAFETY RULES	10
PERSONAL SAFETY	13
INSTRUCTIONAL SEAT SAFETY	13
MAINTENANCE SAFETY	14
FIRE SAFETY	14
BATTERY SAFETY	14
MACHINE OPERATION AND ROLL-OVER SAFETY	15
HAZARDOUS CHEMICALS	15
SAFETY DECALS	16
ROLLOVER PROTECTIVE STRUCTURE (ROPS)	22
CAB STRUCTURAL FRAME (CSF)	22
CLEANING CAB WINDOWS	23
INTERIOR REAR VIEW MIRROR	23
SEAT BELTS	24
TRACTOR WARNING LAMPS AND SLOW MOVING VEHICLE (SMV) SYMBOL	25
IMPLEMENT WARNING LAMPS AND SMV SYMBOL	28
SAFETY CHAIN	29
3 – OPERATING CONTROLS	30
TRACTOR ACCESS	30
OPERATOR SEAT AND CONTROLS	31
INSTRUCTIONAL SEAT (IF EQUIPPED)	34
STEERING COLUMN CONTROLS	35
CENTER CONSOLE CONTROLS	37
FOOT PEDALS	39
RIGHT HAND CONSOLE CONTROLS	40
ARMREST CONSOLE CONTROLS	47
RIGHT HAND FENDER CONTROLS	50
AUTOMATIC TEMPERATURE CONTROL SYSTEM	55
AFS 200 DISPLAY	60
AFS PRO 600 DISPLAY	60
REAR WINDOW	61
DOME LAMP	61
MAP LAMP (IF EQUIPPED)	62
STORAGE COMPARTMENT	62
RADIO (IF EQUIPPED)	62
MP3 PLAYER JACK (EARLY VERSION) (IF EQUIPPED)	63
MP3 PLAYER JACK (LATER VERSION) (IF EQUIPPED)	63
SUN SHADE (IF EQUIPPED)	63
INTERIOR REAR VIEW MIRROR	64
EXTENDABLE MIRRORS (IF EQUIPPED)	64
UTILITY CONSOLE	64
REAR FENDER CONTROLS	65

4 – INSTRUMENTATION	66
INSTRUMENTATION CLUSTER OVERVIEW	66
PROGRAMMING THE INSTRUMENTATION DISPLAY	73
PROGRAMMING THE OPERATOR ADJUST MENU	79
WARNING/FAULT DISPLAYS	82
INSTRUMENTATION CLUSTER OPERATION	88
5 – OPERATING INSTRUCTIONS	107
BEFORE STARTING THE ENGINE	107
SERVICE INDICATOR LAMPS AND DISPLAYS	108
SEAT BELTS	109
STARTING THE ENGINE	110
STOPPING THE ENGINE	112
COLD TEMPERATURE OPERATION	113
POWER SHIFT TRANSMISSION	116
TRANSMISSION	117
SUSPENDED MFD AXLE OPERATION (IF EQUIPPED)	135
CUSHION HITCH RIDE CONTROL OPERATION (IF EQUIPPED)	142
CONSTANT ENGINE SPEED OPERATION	144
TOWING THE TRACTOR	145
HOW TO TRANSPORT THE TRACTOR	148
6 – FIELD OPERATION	149
GENERAL PROCEDURES FOR CONNECTING IMPLEMENTS	149
POWER TAKEOFF (PTO)	151
THREE POINT HITCH	166
HITCH OPERATION	187
DRAWBAR PREPARATION	205
REMOTE HYDRAULICS	213
LOADER OPERATION	230
CHEMICAL TANK MOUNTING	231
AUXILIARY POWER CONNECTIONS	233
MONITOR MOUNTING	236
GROUND SPEED SENSOR CONNECTOR	237
TRAILER BRAKE CONNECTOR (IF EQUIPPED)	238
CAB STEPS	240
7 – IN-FIELD PERFORMANCE	241
DIFFERENTIAL LOCK	241
MFD OPERATION	244
BALLASTING YOUR TRACTOR FOR OPTIMUM PERFORMANCE	249
WHEEL SLIP	273
POWER HOP	275
MECHANICAL FRONT DRIVE (MFD) AXLES	276
MFD STEERING AND OSCILLATION STOPS	283
FRONT WHEEL FENDERS (IF EQUIPPED)	291
REAR AXLE	295
TRACTOR JACKING POINTS	298
REAR WHEEL TREAD SETTING - SINGLES	300
REAR WHEEL TREAD SETTING - DUALS	302
REAR WHEEL TREAD SETTING - TRIPLES	311

8 – LUBRICATION/FILTERS/FLUIDS/MAINTENANCE	314
ENVIRONMENT	314
PLASTIC AND RESIN PARTS	314
TOOL BOX (IF EQUIPPED)	314
SYSTEM CAPACITIES	315
OPENING THE HOOD	319
LUBRICATION/MAINTENANCE CHART	321
9 – ELECTRICAL SYSTEM	371
SPECIFICATIONS	371
RADIO REGIONAL PROGRAMMING	376
BATTERY SYSTEM SERVICING	377
BULB AND LAMP REPLACEMENT	380
10 – SPECIFICATIONS	396
DIESEL ENGINE	396
POWER TRAIN	397
TRAVEL SPEEDS	401
MAXIMUM RECOMMENDED OPERATING WEIGHTS	412
INDEX	415

TO THE OWNER

This manual contains important information about the safe operation, adjustment and routine maintenance of your Case IH Magnum Series Tractor. The manual is divided into ten sections as outlined in the General Table of Contents Page(s). Refer to the Detail Index at the end of this manual for locating specific items about your tractor.

DO NOT operate or permit anyone to operate or service this machine until you or the other persons have read this manual. Use only trained operators who have demonstrated the ability to operate and service this machine correctly and safely.

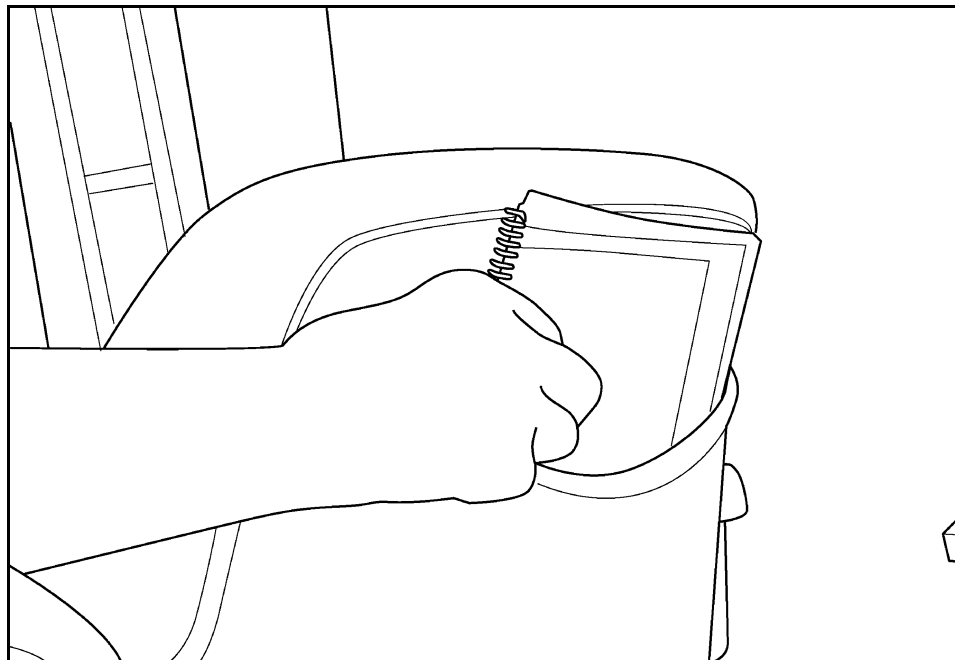
This Operator's Manual should be stored in the manual compartment on this machine. Make sure this manual is in good condition. Contact your Case IH dealer to obtain additional manuals. Contact your dealer for any further information or assistance about your machine. Your dealer has Case IH approved service parts. Your dealer has technicians with special training that know the best methods of repair and maintenance for your tractor.

STATEMENT OF TRACTOR INTENDED USE

The Case IH Magnum Series Tractor, with standard equipment and authorized attachments, is intended to be used for customary farming, land leveling and related agriculture operations. Installation of utility (dozer) blades, tile plows, or push bars on the tractor is not recommended. Any tractor damage resulting from the installation and/or use of such equipment is not covered by the tractor warranty.

Consult an authorized dealer or Case IH on changes, additions or modifications that may be required for this machine to comply with various regulations and safety requirements. Unauthorized modifications will cause serious injury or death. Anyone making such unauthorized modifications is responsible for the consequences.

OPERATOR'S MANUAL STORAGE COMPARTMENT



MK99H025

Keep the Operator's Manual in the storage compartment provided on your tractor. The Operator's Manual must be available for use by all operators.

NOTE: *The right hand and left hand side of the tractor used in this manual are the same as your right hand and left hand when sitting in the tractor seat looking forward.*

TRANSPORT TOWED EQUIPMENT AT SAFE SPEEDS

Your tractor is capable of operating at speeds that exceed the maximum allowable transport speed for most towed equipment.

Before transporting towed equipment, read the operator manual for the equipment. Ensure that equipment is correctly installed, know how to transport it safely,

Never transport at speeds that exceed the equipment's maximum transport speed. Exceeding the equipment's maximum transport speed may result in reduced braking performance and/or loss of control of the tractor and its towed equipment.

Unless otherwise specified by the equipment manufacturer or legislation, observe the following when towing.

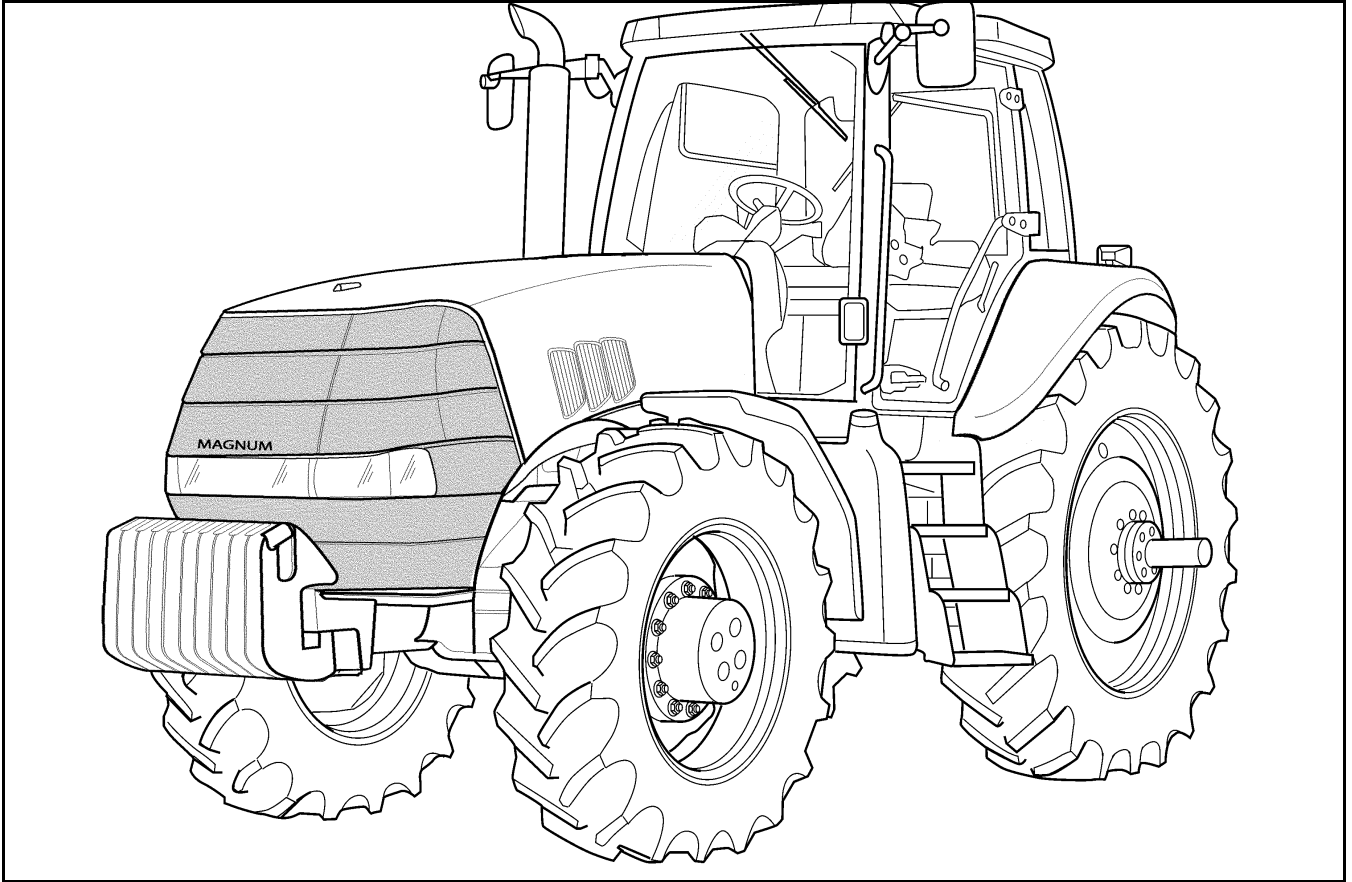
For towed equipment without brakes. Do not tow equipment that does not have brakes

- At speeds over 32 km/h (20 mile/h); or
- That, when fully loaded, has a mass (weight) over 1.5 metric tons (3300 lb) and more than 1.5 times the mass (weight) of the tractor
- When trailer brakes are required by law
- That has a mass (weight) that exceeds the values declared on the tractor PIN plate (as applicable)

For towed equipment with brakes. Do not tow equipment that has brakes

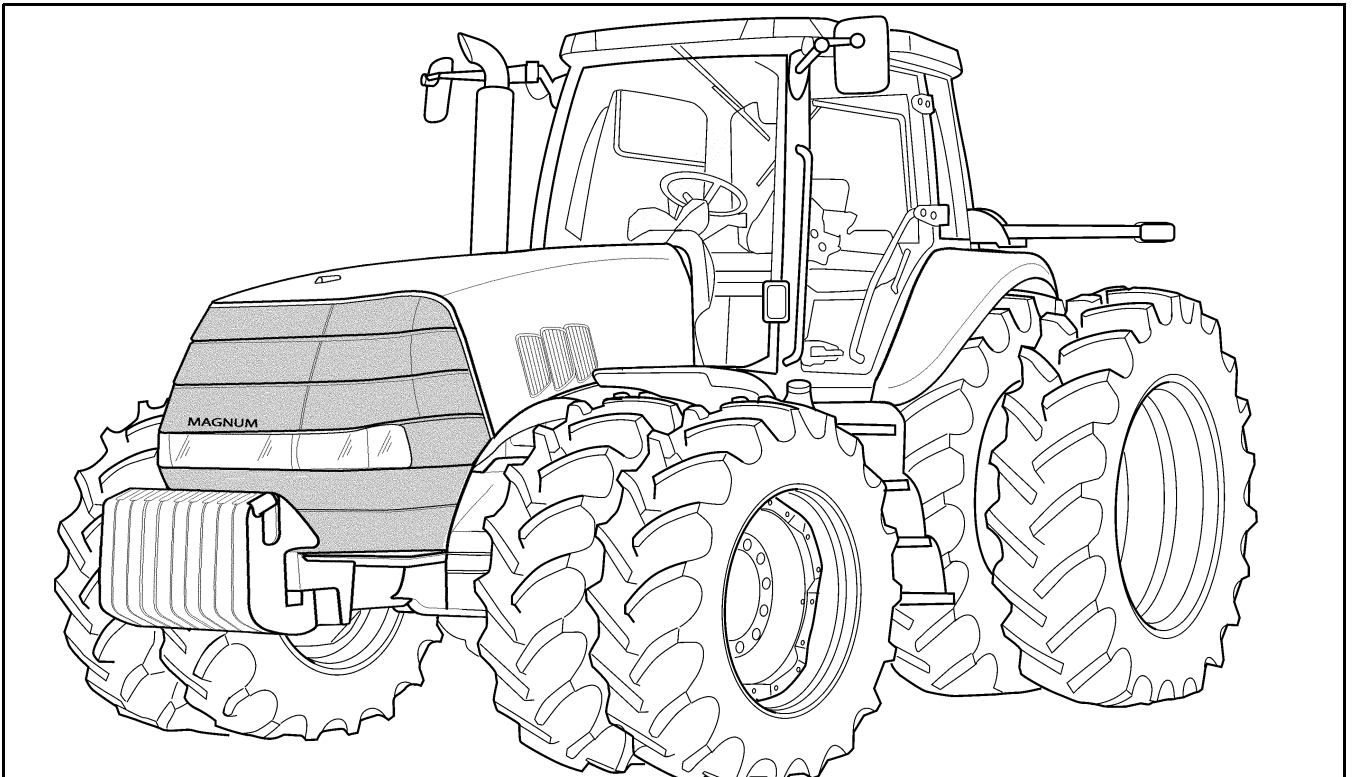
- At speeds over 40 km/h (25 mile/h); or
- That, when fully loaded has a mass (weight) more than 2.5 times the mass (weight) of the tractor
- That has a mass (weight) that exceeds the values declared on the tractor PIN plate (as applicable)

MAGNUM SERIES TRACTOR



Magnum Tractor

RH02H168



Magnum Tractor with Front and Rear Duals

RH02H170

PRODUCT IDENTIFICATION AND SERIAL NUMBERS

Write your tractor Model Number, Product Identification Number (P.I.N.) and Serial Numbers of major components on the lines provided.

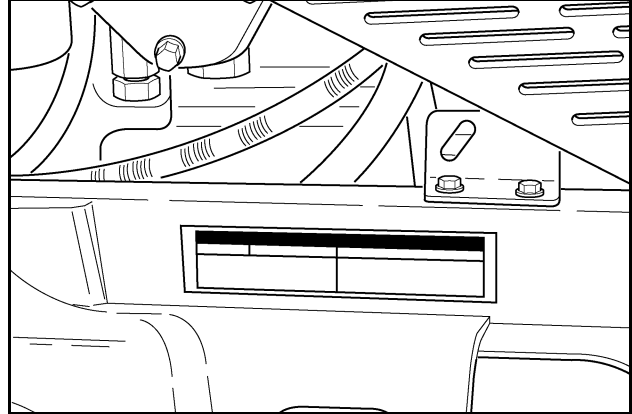
If needed, give these numbers to your Case IH dealer when you need parts or information for your machine.

TRACTOR MODEL AND PRODUCT IDENTIFICATION NUMBER

Model: _____

P.I.N. *: _____

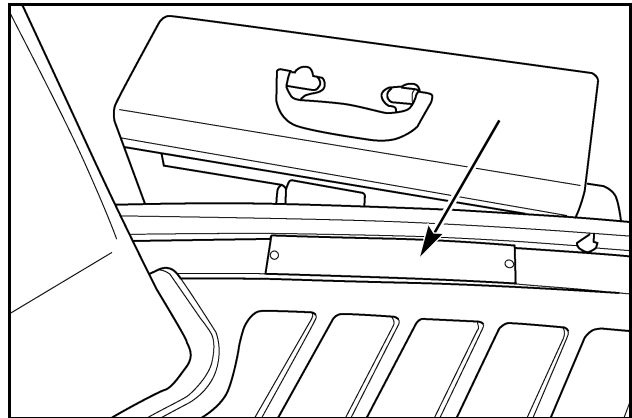
Located on right hand front frame casting.



RH02H283

ROLL OVER PROTECTION SYSTEM (ROPS) SERIAL NUMBER

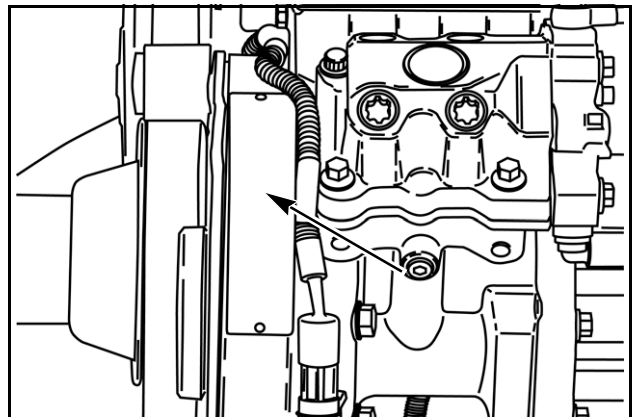
Located on the right hand cab floor.



RH02H174

ENGINE SERIAL NUMBER

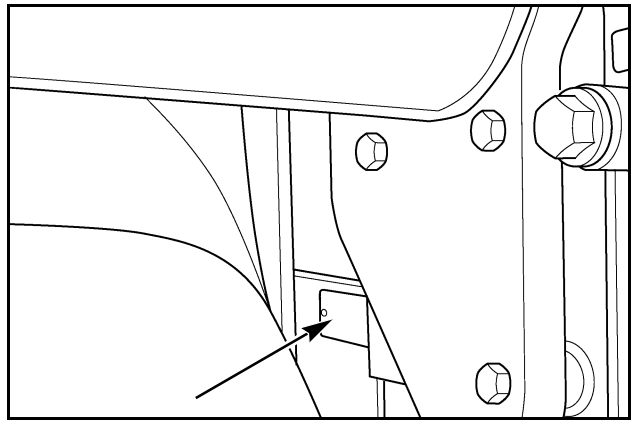
Located on front left hand side of engine.



RD05J163

TRANSMISSION SERIAL NUMBER

Located on the right hand side of the transmission behind the fuel tank and to the left of the ground stud.

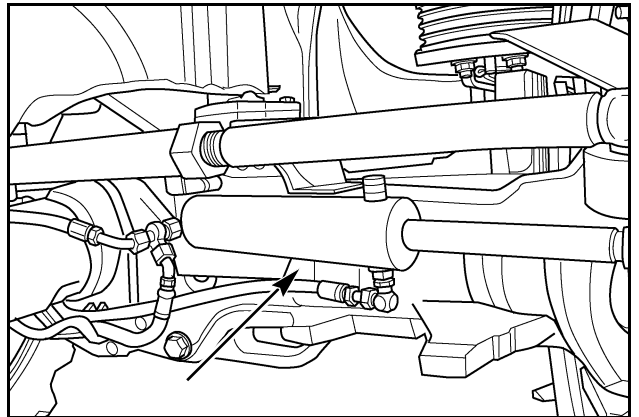


RH02H176

AXLE SERIAL NUMBER

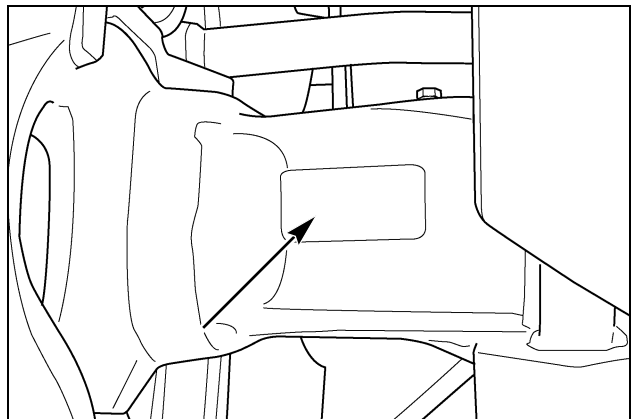
MFD AXLE: Located on the rear right hand side of the axle housing.

SUSPENDED AXLE: Located on the front right hand side of the axle housing.



RH02H178

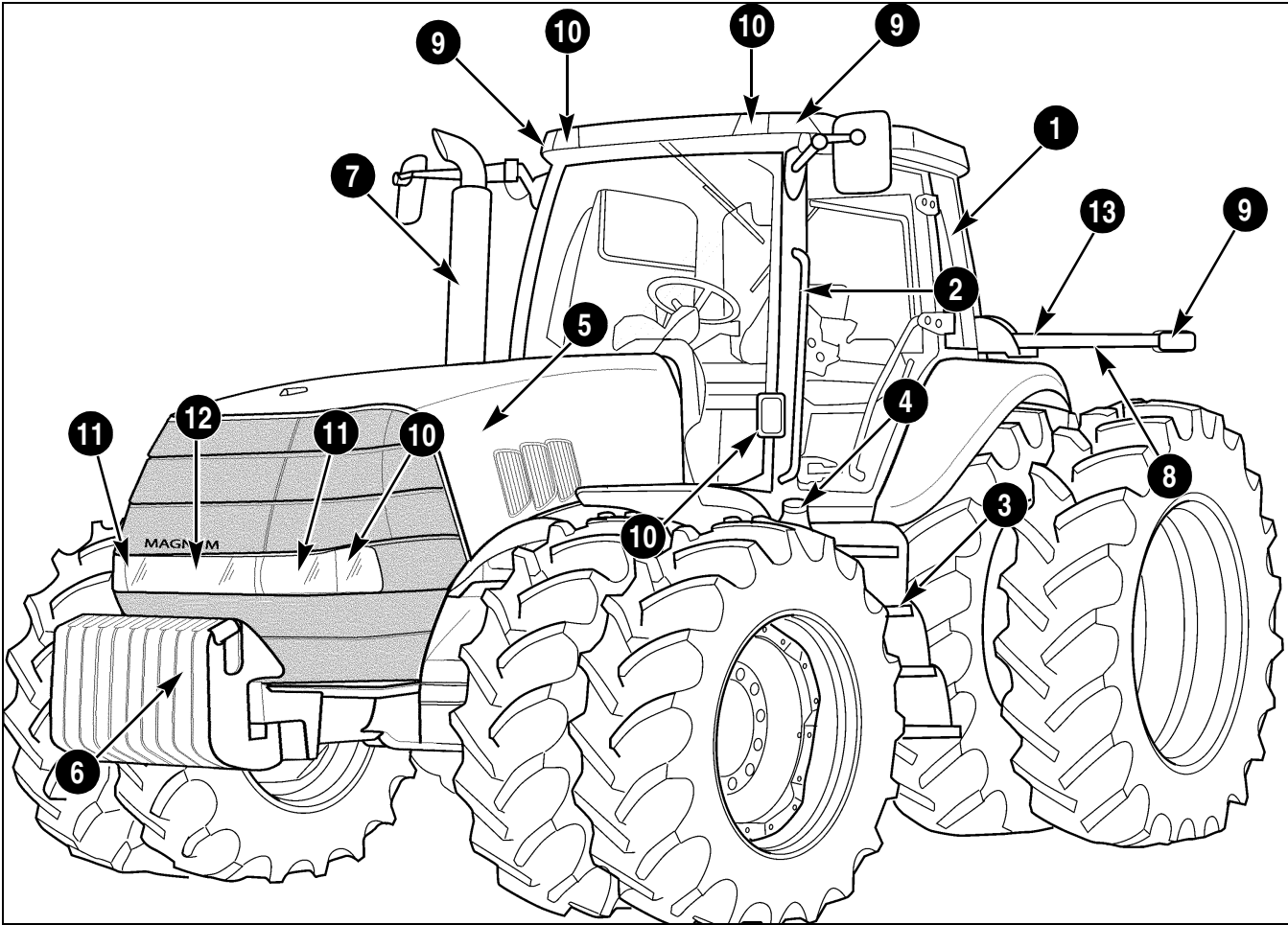
MFD Axle



RH02G351

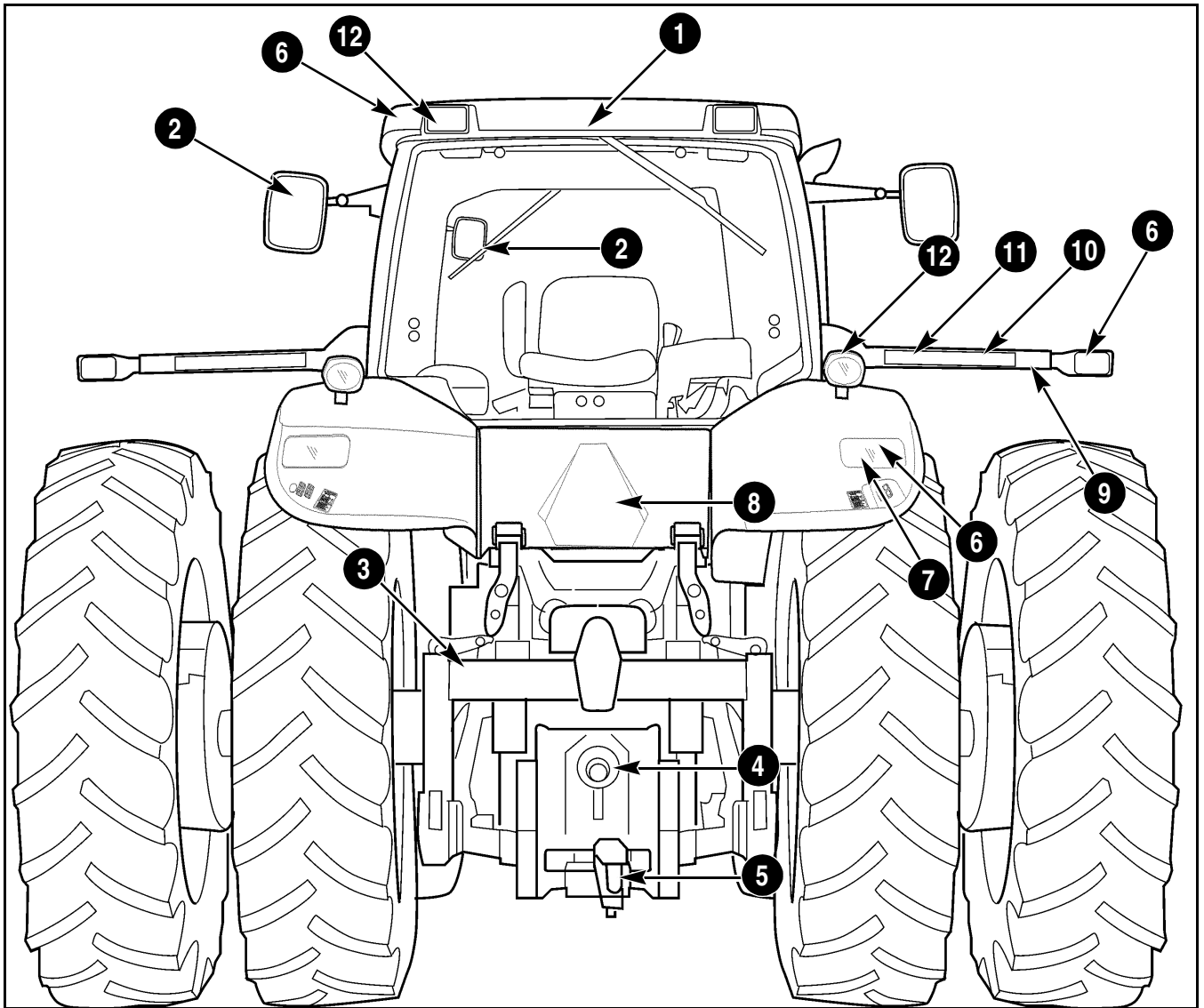
Suspended Axle

MACHINE COMPONENTS



RH02H170

- | | | | |
|--------------|--------------------------|-----------------------|---------------------|
| 1. ROPS CAB | 5. HOOD | 9. AMBER WARNING LAMP | 13. AMBER REFLECTOR |
| 2. HAND RAIL | 6. FRONT WEIGHTS | 10. WORK LAMPS | |
| 3. STEPS | 7. EXHAUST STACK | 11. ROAD/WORK LAMPS | |
| 4. FUEL TANK | 8. WIDE TRANSPORT MARKER | 12. HID LAMP | |



RH02H171

1. ROPS CAB
2. REAR VIEW MIRROR
3. REAR HITCH

4. POWER TAKEOFF (PTO)
5. DRAWBAR
6. AMBER WARNING LAMPS

7. TAIL AND BRAKE LAMP
8. SMV SYMBOL
9. WIDE TRANSPORT MARKER

10. RED REFLECTOR
11. ORANGE REFLECTOR
12. ROOF AND FENDER WORK LAMPS/HID LAMPS

Buy Now



Our support email:

ebooklibonline@outlook.com