

275 Tractor

Operators Manual

9-12693

Reprinted








THIS SAFETY ALERT SYMBOL INDICATES IMPORTANT SAFETY MESSAGES IN THIS MANUAL. WHEN YOU SEE THIS SYMBOL, CAREFULLY READ THE MESSAGE THAT FOLLOWS AND BE ALERT TO THE POSSIBILITY OF PERSONAL INJURY OR DEATH.

M171B

If Safety Decals on this machine use the words **Danger, Warning or Caution**, which are defined as follows:

- **DANGER:** Indicates an immediate hazardous situation which if not avoided, will result in death or serious injury. The color associated with Danger is RED.
- **WARNING:** Indicates an potentially hazardous situation which if not avoided, will result in serious injury. The color associated with Warning is ORANGE.
- **CAUTION:** Indicates an potentially hazardous situation which if not avoided, may result in minor or moderate injury. It may also be used to alert against unsafe practices. The color associated with Caution is YELLOW.

If Safety Decals on this machine are ISO two panel Pictorial, decals are defined as follows:

- The first panel indicates the nature of the hazard.
- The second panel indicates the appropriate avoidance of the hazard.
- Background color is YELLOW.
- Prohibition symbols such as   and  if used, are RED.



WARNING

IMPROPER OPERATION OF THIS MACHINE CAN CAUSE INJURY OR DEATH. BEFORE USING THIS MACHINE, MAKE CERTAIN THAT EVERY OPERATOR:

- Is instructed in safe and proper use of the machine.
- Reads and understands the Manual(s) pertaining to the machine.
- Reads and understands ALL Safety Decals on the machine.
- Clears the area of other persons.
- Learns and practices safe use of machine controls in a safe, clear area before operating this machine on a job site.

It is your responsibility to observe pertinent laws and regulations and follow Case Corporation instructions on machine operation and maintenance.

TO THE OWNER OF A CASE IH TRACTOR

Use this manual as your guide. If you follow the instructions given in this manual, your Case IH tractor will work well for many years.

Your Dealer can give you assistance with Case Company made parts and persons with special training that know the best methods of repair and maintenance for your tractor.

Call your Dealer if you need any assistance or information.

Your Authorized Case IH Dealer



NOTE: *When you are in the tractor seat looking forward, the right hand (RH) and left hand (LH) of the tractor are the same as your right hand and left hand.*

SERIAL NUMBERS

When ordering parts or when requesting information or assistance, always give the model and serial numbers of your tractor.

Write the model and serial numbers of your tractor on the lines below.

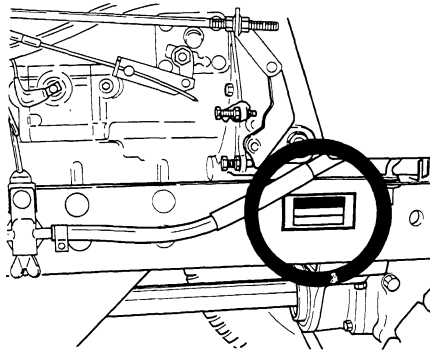
1. TRACTOR MODEL NUMBER _____

2. PRODUCT IDENTIFICATION NUMBER _____

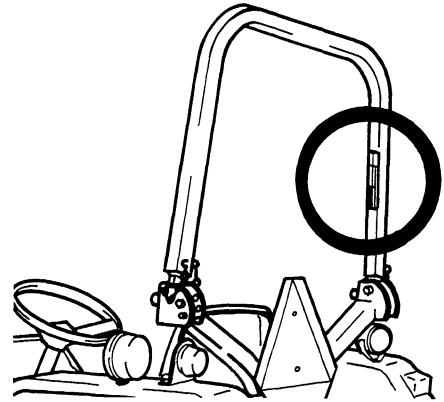
3. ENGINE SERIAL NUMBER _____

4. ROPS SERIAL NUMBER _____

TRACTOR MODEL NUMBER AND
PRODUCT IDENTIFICATION NUMBER
PLATE



ROPS PRODUCT IDENTIFICATION
NUMBER PLATE



ENGINE SERIAL NUMBER

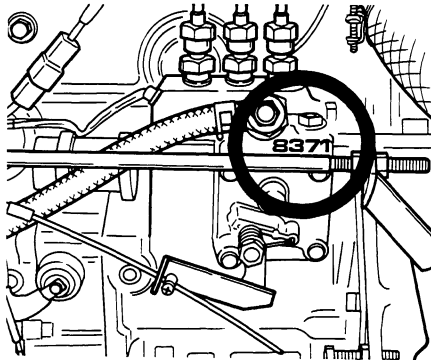


TABLE OF CONTENTS

TO THE OWNER OF A CASE IH TRACTOR..... I	ROLL OVER PROTECTIVE
SERIAL NUMBER.....II	STRUCTURE (ROPS)..... 52-61
TABLE OF CONTENTS..... III,IV	Foldable ROPS Frame..... 52
SAFETY..... V-XI	Normal Operating Position..... 52
Safety Rules..... V	Low Clearance Positions..... 53
Decals..... IV-VIII	Folding the ROPS..... 54,55
Before Starting..... VIII	Securing the ROPS in the
Operation..... IX-X	Upright Position..... 56,60
Service..... XI	Tractor Roll Over..... 61
HAND SIGNALS..... XII,XIII	Safety Rules..... 61
NOTES..... XIV	ROPS Label..... 61
DIESEL ENGINE SPECIFICATIONS..... 1,2	TRANSMISSION CONTROLS..... 62
GENERAL TRACTOR	Transmission Operation..... 62
SPECIFICATIONS..... 3-5	MECHANICAL FRONT DRIVE
TRAVEL SPEEDS - 275 TRACTOR..... 6	(MFD)(IF EQUIPPED)..... 63
APPROXIMATE MEASUREMENTS	DIFFERENTIAL LOCK..... 64
AND WEIGHTS..... 7,8	POWER TAKE OFF (PTO)..... 65-67
TIRE AND WHEEL	Rear PTO..... 65,66
SPECIFICATION..... 9-11	Mid PTO (If Equipped)..... 67
Tire Inflation Specifications..... 11	LIVE PTO..... 68
Tire Load Capacity..... 11	POWER TAKE OFF GUARDS..... 69
TIRE SIZE COMBINATIONS -	PTO OPERATING SAFETY..... 70
MFD..... 12	DRAWBAR..... 71
FRONT WHEEL TREAD POSITIONS..... 13,14	CONNECTING IMPLEMENT
REAR WHEEL TREAD POSITIONS..... 15,16	TO DRAWBAR..... 72
WHEEL MOUNTING TORQUES..... 17	SAFETY CHAIN..... 73
DIESEL FUEL SPECIFICATIONS..... 18	THREE POINT HITCH SYSTEM..... 74
Specifications for Acceptable..... 18	HITCH SYSTEM ADJUSTMENTS..... 75,76
Number Two Diesel Fuel..... 18	Lift Links and Turnbuckle..... 75
Fuel Conditioner..... 19	Upper Link..... 76
INSTRUMENTS AND INDICATORS..... 20-22	Stabilizer Chain..... 76
OPERATING CONTROLS..... 23-34	HITCH OPERATION..... 77-81
Control Pedals..... 26-28	Connect Implement to Hitch..... 77
Control Levers..... 29-34	Disconnect Implement
Operators Seat..... 35	from Hitch..... 77
Amber Warning Lamps - Direction	Hitch Control Lever..... 78
Turn Signals and SMV Emblem..... 36,37	Draft Control Lever
Implement Warning Lamps	(If Equipped)..... 79
SMV Emblem..... 38	Operating with Draft Control..... 80
Rear Work Lamp (If Equipped)..... 39	Hitch Lowering Speed Adjustment..... 81
Sever Conductor Electrical	REMOTE HYDRAULIC CONTROL VALVE
Connector (If Equipped)..... 40	(IF EQUIPPED)..... 82
OPERATING INSTRUCTIONS..... 41,42	HYDRAULIC ADAPTER PLATE..... 83
Run-In Procedure..... 41	ADDING FLUID AFTER CONNECTING
Towing..... 42	CYLINDERS AND HOSES..... 84
How to Transport Tractor..... 42	FRONT WHEEL ADJUSTMENTS..... 85-88
BEFORE STARTING THE ENGINE..... 43	Front Wheel Tead Adjustment
NORMAL STARTING	(2WD)..... 86
PROCEDURE..... 44-46	Toe-In Adjustment..... 87,88
STOPPING THE ENGINE..... 47	REAR WHEEL ADJUSTMENTS..... 89,90
COLD TEMPERATURE	Tractor Equipped with Non-Adjustable Wheels..... 89
OPERATION..... 48,49	Tractor Equipped with Adjustable Wheels..... 90
Coolant Heater..... 50	TRACTOR BALLAST..... 91-93
SEAT BELT..... 51	Front End Weights..... 91

TABLE OF CONTENTS (Cont'd)

Rear Wheel Weights	92	FUEL SYSTEM	122-125
Tire Liquid Weights	93	Service Specifications	122
LUBRICATION AND PREVENTIVE MAINTENANCE	94	Water Removal from the Filter Cup	122
LUBRICATION	95-98	Fuel Filter Element Replacement	123
Engine Hourmeter	95	Fuel System Air Removal	124
Service After First 50 Hours of Operation	98	Fuel Injection Pump and Nozzle Check	125
HOOD SIDE COVER AND FRONT GRILLE	99	AIR INDUCTION SYSTEM	126-128
ENGINE LUBRICATION	100-103	Service Specifications	126
Service Specifications	100	Dust Container and Air Filter Element Removal	127
Engine Oil Level	100	Element Cleaning	128
Engine Oil Change	101	System Inspection	128
Engine Oil Selection	102	CLUTCH PEDAL ADJUSTMENT	129
Engine Lubrication Oil Viscosity	102	Service Specifications	129
Engine Oil Filter	103	CLUTCH PEDAL ADJUSTMENT	130-133
TRANSMISSION AND HYDRAULIC LUBRICATION	104-106	Checking the Clutch Pedal Movement	130
Service Specifications	104	Clutch Pedal Movement Adjustment	131-133
Gear Transmission Oil Level Check	104	NEUTRAL START SWITCH	134-136
Range Transmission Oil Level Check	104	ELECTRICAL SYSTEM	137-144
Gear Transmission Oil Change	105	Head Lamps	137
Range Transmission Oil Change	105	Turn Signal and Flasher Lamp	138
Hydraulic Filter Screen	106	Rear Red Lamp	139
FRONT WHEEL BEARING LUBRICATION (2WD)	107	Rear Work Lamp (If Equipped)	140
Service Specifications	107	Fuses	141
FRONT AXLE LUBRICATION (MFD)	108,109	Head Lamp Adjustment	143
Service Specifications	108	General Service Information For Alternator Charging System	144
Front Axle Oil Level	108	BATTERY	145-149
Front Axle Oil Change	109	Access to Battery	145
REAR AXLE LUBRICATION	110,111	Auxiliary Battery Connections	146,147
Service Specifications	110	Battery Cables and Terminals	147
Rear Axle Oil Level Check	110	Removal and Installation of Battery	148
Rear Axle Oil Change	111	When Charging the Battery	148
TIRE AND RIM SERVICE	112,113	When Battery is Not in Use	149
Service Specifications	112	ROPS EQUIPMENT	150,151
Tire Inflation Procedure	112	Service Specifications	150
Tire and Rim Repair	113	ROPS Inspection and Maintenance	150
Tire Installation	113	Seat Belt Inspection and Maintenance	151
COOLING SYSTEM	114-116	STORING THE TRACTOR	152
Service Specifications	114	REMOVING FROM STORAGE	153
Pressure Cooling System	114	CASE TECHNICAL MANUALS	154
Cleaning the Cooling System	115		
Coolant Solutions	116		
COOLING SYSTEM	116-121		
Grille Screen and Radiator Area	117		
Thermostat Check	118		
Thermostat Replacement	118,119		
Fan Belt Adjustment	120		
Fan Belt Replacement	121		

SAFETY

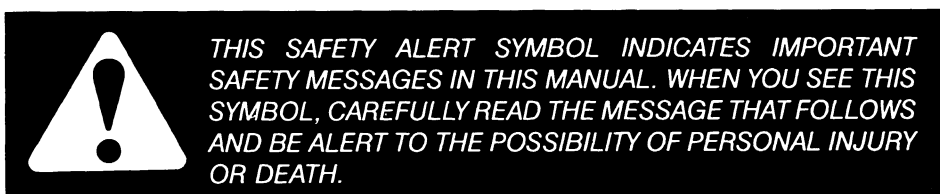
Safety Rules

Understand that your safety and the safety of other persons is measured by how you service, and operate this machine. Know the positions and operations of all controls before you try to operate. **MAKE SURE YOU CHECK ALL CONTROLS IN A SAFE AREA BEFORE STARTING YOUR WORK.**

READ THIS MANUAL COMPLETELY and make sure you understand the controls. All equipment has a limit. Make sure you understand the speed, brakes, steering, stability and load characteristics of this machine before you start to operate.

The safety information given in this manual does not replace safety codes, insurance needs, federal, state and local laws. Make sure your machine has the correct equipment needed by the local laws and regulations.

CASE IH is continuing to work for your safety by making tractors with better protection and by giving these rules for safe operation.



The safety decals on this machine contain instructions for your safety, and are reproduced on the following pages. Read their safety messages before operating this machine.

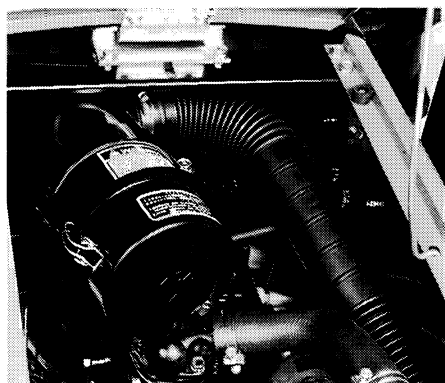
Additional safety messages are included throughout this manual. Read the section pertaining to your activity before you start. Refer to page locations in the TABLE OF CONTENTS.

Decals

IMPORTANT: *Install new decals if the old decals are destroyed, lost, painted over or can not be read. When parts are replaced that have decals, make sure you install a new decal with each new part.*

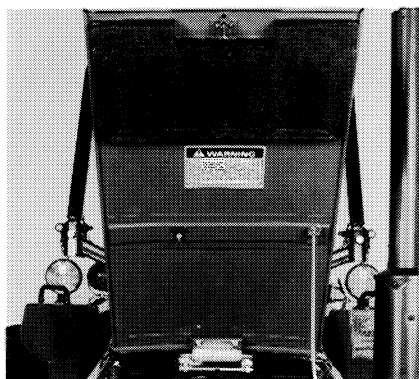
NOTE: *New decals are available from your Case IH Dealer or write to:*

*Case Company
Customer Relations Department
700 State St.
Racine, Wisconsin 53404*



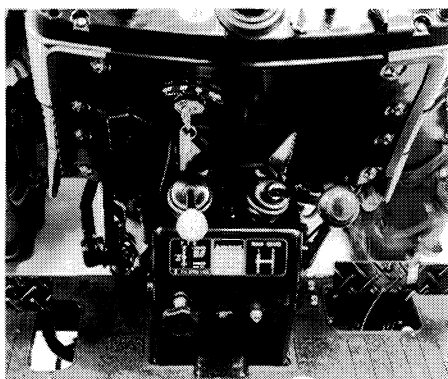
! WARNING

**EXPLOSION AND INJURY
CAN RESULT FROM USE
OF STARTING AIDS WITH
HOT GLOW PLUGS.
DO NOT INJECT GASOLINE
OR ETHER IN AIR INTAKE.**



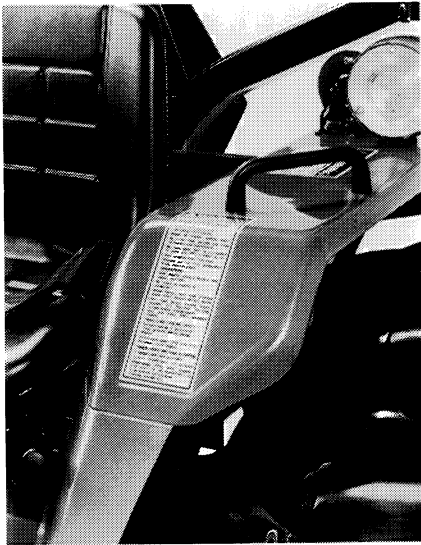
! WARNING

**BATTERIES CONTAIN ACID AND EXPLOSIVE
GAS. EXPLOSION CAN RESULT FROM
SPARKS, FLAMES, OR WRONG CABLE CON-
NECTIONS. TO CONNECT JUMPER CABLES
OR CHARGER, SEE MANUAL(S) FOR THE
CORRECT PROCEDURE. FAILURE TO
FOLLOW THE ABOVE INSTRUCTIONS CAN
CAUSE SERIOUS PERSONAL INJURY OR
DEATH.**



! WARNING

**MACHINE OVERSPEED
CAN CAUSE INJURY.
DO NOT RUN 540RPM
PTO EQUIPMENT AT
1150 RPM.**



WARNING

AVOID INJURY OR DEATH

BEFORE STARTING ENGINE:

- Read operators manual for safety information and operating instructions.
- Read all tractor safety signs.
- Be sure other people are clear of tractor and equipment.
- Be sure gear shift is in neutral or park and PTO control is off.
- Start engine only from seat.
- Shields are for your protection. Keep them in place.

OPERATION:

- With ROPS, always buckle and adjust seat belt.
- No riders on tractor or equipment.
- Keep hands, feet, and clothing away from power driven parts.
- For road travel, couple brake pedals, use flashing warning lamps unless prohibited by law, and keep SMV emblem visible.

TRACTORS CAN BE UPSET:

- Reduce speed on turns and rough ground. Avoid steep slopes.
- Avoid rear upset. Pull only from drawbar, never higher.

WHEN TRACTOR HAS STOPPED:

- Engage park lock or brake.
- Lower implement to ground.
- Disengage PTO, stop engine, and wait for all movement to stop before servicing or clearing equipment.

WARNING

WHEN IMPROPERLY OPERATED, THIS TRACTOR CAN ROLLOVER OR UPSET.

USE OF ROPS AND SEAT BELT MINIMIZE THE POSSIBILITY OF INJURY OR DEATH IF ROLLOVER OR UPSET OCCURS.

FOR LOW CLEARANCE USE ONLY, THE ROPS CAN BE LOWERED. NO PROTECTION IS PROVIDED IN THIS POSITION AND THE SEAT BELT SHOULD NOT BE FASTENED.

FOR ALL OTHER USES, SECURE ROPS IN UPRIGHT POSITION AND FASTEN SEAT BELT.

Buy Now



Our support email:

ebooklibonline@outlook.com