

9370 - 9380 Tractor

Operators Manual

Rac 9-26050





This symbol means ATTENTION! BECOME ALERT! YOUR SAFETY IS INVOLVED. The message that follows the symbol contains important information about your safety. Carefully read the message. Make sure you fully understand the causes of possible injury or death.

SB001

IF THIS MACHINE IS USED BY AN EMPLOYEE, IS LOANED, OR IS RENTED, MAKE SURE THAT THE OPERATOR UNDERSTANDS THE TWO INSTRUCTIONS BELOW.

BEFORE THE OPERATOR STARTS THE ENGINE:

1. GIVE INSTRUCTIONS TO THE OPERATOR ON SAFE AND CORRECT USE OF THE MACHINE.
2. MAKE SURE THE OPERATOR READS AND UNDERSTANDS THE OPERATOR'S MANUAL FOR THIS MACHINE.



IMPROPER OPERATION OF THIS MACHINE CAN CAUSE INJURY OR DEATH.

BEFORE STARTING THE ENGINE, DO THE FOLLOWING:

1. READ THE OPERATOR'S MANUAL.
2. READ ALL SAFETY DECALS ON THE MACHINE.
3. CLEAR THE AREA OF OTHER PERSONS.

LEARN AND PRACTICE SAFE USE OF MACHINE CONTROLS IN A SAFE, CLEAR AREA BEFORE YOU OPERATE THIS MACHINE ON A JOB SITE.

It is your responsibility to observe pertinent laws and regulations and to follow manufacturer's instructions on machine operation and maintenance.

See your Authorized Case dealer for additional operator's manuals, parts catalogs, and service manuals.

TO THE OWNER

This manual contains important information about the safe operation, adjustment and maintenance of your Case IH tractor. Refer to the Detail Index at the end of this manual for locating specific items about the tractor.

DO NOT operate or permit anyone to operate or service this tractor until you or other persons have read this manual. Use only trained operators who have demonstrated the ability to operate and service this tractor correctly and safely.

This tractor, with standard equipment and authorized attachments, is intended to be used for normal agricultural PTO, planting and tillage operations.

DO NOT use this tractor for any application or purpose other than those described in this manual. Consult an authorized dealer or the Case Corporation on changes, additions or modifications that can be required for this machine to comply with various country regulations and safety requirements. Unauthorized modifications can cause serious injury or death. Anyone making such unauthorized modifications is responsible for the consequences.

This Operators Manual is to be stored in the manual storage compartment provided on this tractor. Make sure this manual is complete and in good condition. Contact your dealer to obtain additional manuals or for any additional information or assistance about your tractor. Your dealer has Case Corporation approved service parts and has technicians with special training that know the best methods of repair and maintenance for your tractor.

Model 9370 Tractor



NOTE: When you are in the tractor seat looking forward, the right hand and left hand of the tractor are the same as your right and left hand.

TRIM THIS EDGE

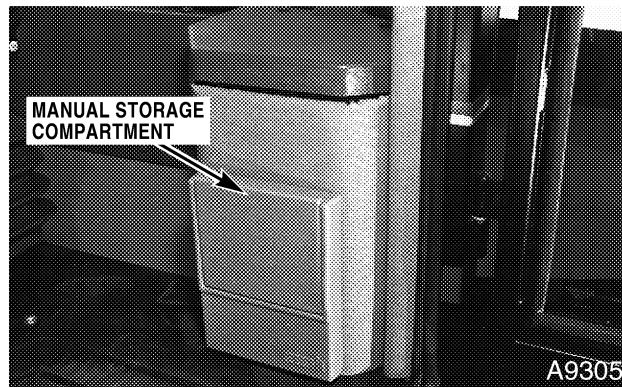
TO THE OWNER

Model 9380 Tractor



TRIM THIS EDGE

Manual Storage Compartment



Keep the operators manual in the storage compartment provided in your tractor cab. The operators manual must be available for use by all operators.

IMPORTANT: Also, refer to the *Cummins Engine Operation and Maintenance Manual* supplied with your tractor for supplemental engine maintenance information and procedures not covered in this manual. Adhere to the *Lubrication and Maintenance Schedule* as outlined in this manual on page 140 and 141.

GENERAL TABLE OF CONTENTS

Safety/Decals	6
Instruments/Controls	15
Operating Instructions	43
Field Operation.....	79
Tires/Wheels/Spacing/Ballast.....	114
Lubrication/Filters/Fluid	140
Maintenance/Adjustments.....	186
Electrical system	197
Specifications	212
Detail Index	219



TRIM THIS EDGE

IDENTIFICATION NUMBERS _____

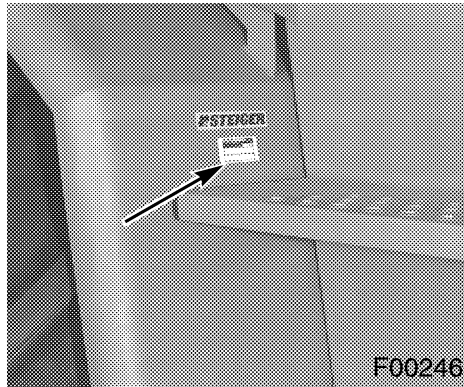
PRODUCT IDENTIFICATION AND SERIAL NUMBERS

Write your machine Model Number, Product Identification Number (P.I.N.), and Serial Numbers of major components on the lines provided. If needed, give these numbers to your dealer when you need parts or information for your machine.

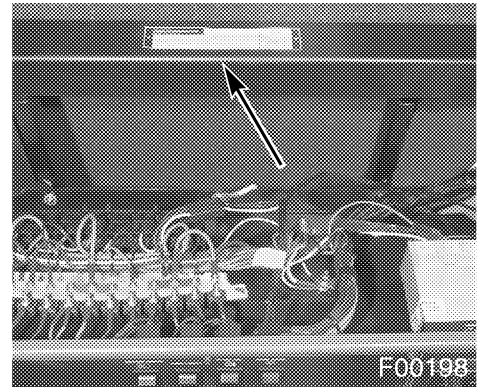
- 1. TRACTOR MODEL NUMBER _____
- 2. PRODUCT IDENTIFICATION NUMBER * JEE _____ *
- 3. ENGINE SERIAL NUMBER _____
- 4. TRANSMISSION SERIAL NUMBER _____
- 5. CAB OR ROPS SERIAL NUMBER _____
- 6. AXLE SERIAL NUMBER - FRONT _____
- 7. AXLE SERIAL NUMBER - REAR _____

TRIM THIS EDGE

Identification Number Locations

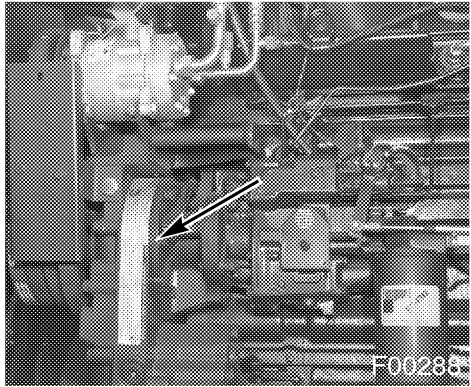


TRACTOR MODEL AND PRODUCT IDENTIFICATION NUMBERS

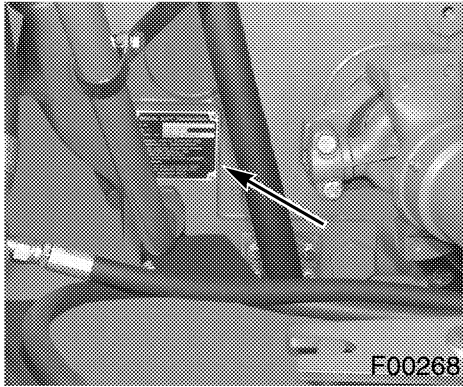


ROPS SERIAL NUMBER

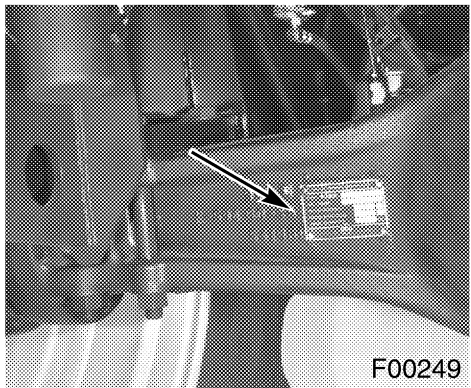
IDENTIFICATION NUMBERS _____



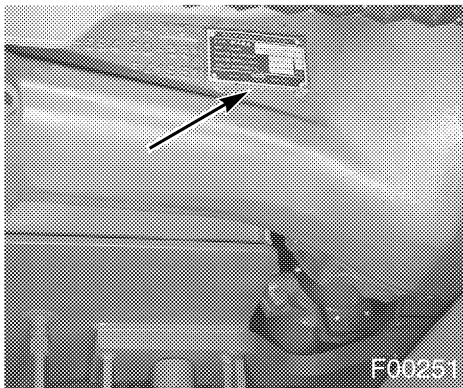
ENGINE SERIAL NUMBER



TRANSMISSION SERIAL NUMBER



PLANETARY AXLE SERIAL NUMBER - FRONT



PLANETARY AXLE SERIAL NUMBER - REAR

TRIM THIS EDGE

SAFETY/DECALS

SAFETY

Understand that your safety and the safety of other persons is measured by how you service and operate this machine. Know the positions and operations of all controls before you try to operate. **MAKE SURE YOU CHECK ALL CONTROLS IN A SAFE AREA BEFORE STARTING YOUR WORK.**

READ THIS MANUAL COMPLETELY and make sure you understand the controls. All equipment has a limit. Make sure you understand the speed, brakes, steering, stability and load characteristics of this machine before you start to operate.

The safety information given in this manual does not replace safety codes, insurance needs, federal, state and local laws. Make sure your machine has the correct equipment needed by the local laws and regulations.

Case Corporation is continuing to work for your safety: by making tractors with better protection and by giving these rules for safe operation.

TRIM THIS EDGE



THIS SAFETY ALERT SYMBOL INDICATES IMPORTANT SAFETY MESSAGES IN THIS MANUAL. WHEN YOU SEE THIS SYMBOL, CAREFULLY READ THE MESSAGE THAT FOLLOWS AND BE ALERT TO THE POSSIBILITY OF PERSONAL INJURY OR DEATH.

M171B

Safety Rules

- Before starting the engine, be sure all operating controls are in neutral or park lock position. This will eliminate accidental movement of the machine or start up of power driven equipment. R106E
- Operate controls only when seated in the operators seat. R137A
- Securely fasten your seat belt. Your tractor is equipped with a ROPS cab or frame for your protection. The seat belt can help insure your safety if it is used and maintained. Never wear a seat belt loosely or with slack in the belt system. Never wear the belt in a twisted condition or pinched between the seat structural members. R271A
- A frequent cause of personal injury or death is persons falling off and being run over. Do not permit others to ride. Only one person-the operator- should be on the machine when it is in operation. R115B
- Before leaving the tractor, stop the engine, put all controls in neutral, engage the park brake and remove the key from the key switch. R301A

SAFETY/DECALS

- Stay off slopes too steep for safe operation. Shift down before you start up or down a hill with a heavy load. Avoid “free wheeling”. R123A
- Do not drive on roads, or at high speed anywhere, with the differential lock engaged. Difficult steering will occur, and can result in an accident. In field operation, use the differential lock for traction improvement, but release for turning at row ends. R116A
- Travel speed should be such that complete control and machine stability is maintained at all times. Where possible, avoid operating near ditches, embankments and holes. Reduce speed when turning, crossing slopes, and on rough, slick, or muddy surfaces. R109B
- Collision of high speed road traffic and slow moving machines can cause personal injury or death. On roads, use flasher/lights according to local laws. Keep SMV emblem visible. Pull over to let faster traffic pass. Slow down and signal before turning off. R110E
- Make sure that the weight of a trailed vehicle that is not equipped with brakes, NEVER EXCEEDS the weight of the machine that is towing the vehicle. Stopping distance increases with increasing speed as the weight of the towed load increases, especially on hills and slopes. R114B
- Extra weight and bad traction conditions such as mud or ice increase your stopping distance. Remember that liquid in the tires, weights on the machine or wheels, tanks filled with fertilizer, herbicides or insecticides - all these add weight and increase the distance you need in which to stop. R138B
- PTO driven machinery can cause serious injury. Before working on or near the PTO shaft, or servicing or clearing the driven machine, put the PTO lever in the DISENGAGE position and STOP the engine. R154A
- Whenever a PTO driven machine is in operation, the PTO guard must be in place for most operations to prevent injury to the operator or bystanders. Where attachments, such as pumps, are installed on the PTO shaft (especially if the tractor PTO guard is moved upward or removed), extended shielding equivalent to the PTO guard must be installed with the attachment. Install the PTO guard to its original position immediately when the attachment is removed. R273A
- When doing stationary PTO work and dismounting from the tractor with the PTO running, keep clear of all moving parts as they are a potential safety hazard. R127A
- When doing stationary PTO work, install the front and rear frame articulation block, to prevent accidental articulation of the tractor. Put the transmission in neutral and engage the park brake. R298A
- Never operate the engine in a closed building. Proper ventilation is required under all circumstances. R142A

TRIM THIS EDGE

SAFETY/DECALS

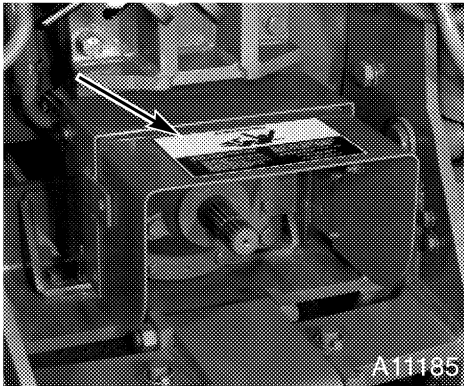
TRIM THIS EDGE

- Never refuel the machine when the engine is hot or running. Never smoke while refueling. R139C
- Check and service cooling system according to maintenance instructions. Hot coolant can spray out if radiator cap is removed while system is hot. To remove radiator cap, let system cool, turn to first notch, then wait until all pressure is released. Scalding can result from fast removal of radiator cap. R141C
- Hydraulic oil or diesel fuel leaking under pressure can penetrate the skin and cause infection or other injury.
To Prevent Personal Injury:
Relieve all pressure, before disconnecting fluid lines.
Before applying pressure, make sure all connections are tight and components are in good condition.
Never use your hand to check for suspected leaks under pressure.
Use a piece of cardboard or wood for this purpose. If injured by leaking fluid, see your doctor immediately. R149B
- Battery explosion and/or damage to electrical components can result from improper connection of booster batteries or charger. Connect positive to positive and negative to negative. Externally, battery acid can cause burns and blindness, and taken internally it is poison. R146B
- It is good practice to carry a fire extinguisher on the machine. Be sure that the extinguisher is properly maintained and be familiar with its proper use. R102B
- Do not turn the steering wheel until everyone is clear of the equipment and the center hinge area. Turning the steering wheel can swing the tractor and equipment from side to side. R303A
- Always use the hand rails when mounting or dismounting from the tractor. Always face the tractor when mounting and dismounting. This will provide more secure hand and feet mobility to help prevent slipping and possible injury. R304A
- Always keep the cab windows and rear view mirrors clean to provide the best all around visibility while operating the tractor. R416
- Fluids such as Gasoline, Kerosene, Diesel Fuel, Hydraulic Oil, etc. contain chemicals that can be dangerous to your health and can cause cancer and/or birth defects. Contact either internally or externally can cause infection or other injury. If any internal or external contact occur, see your local Poison Control Center or doctor IMMEDIATELY. R412

DECALS

IMPORTANT: Install new decals if the old decals are destroyed, lost, painted over or cannot be read. When parts are replaced that have decals, make sure you install a new decal with each new part.

NOTE: New decals are available from your dealer or write to:
Case Corporation
Customer Relations Department
700 State Street
Racine, Wisconsin 53404



TRIM THIS EDGE

⚠ WARNING

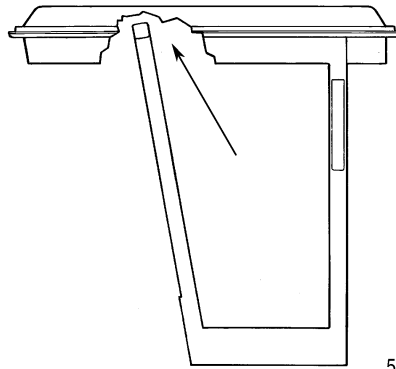
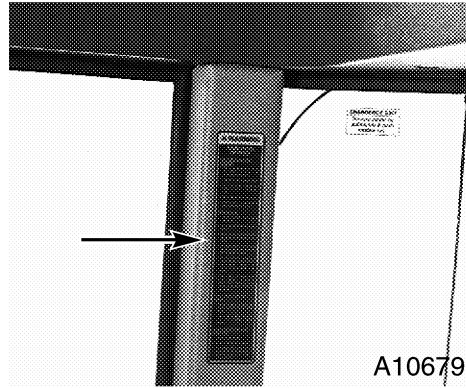


<p>ROTATING DRIVELINE - PERSONAL INJURY OR DEATH CAN RESULT FROM WRAPPING OR ENTANGLEMENT.</p> <ul style="list-style-type: none">• KEEP AWAY, KEEP HANDS, FEET AND CLOTHING AWAY FROM PTO AND OTHER MOVING PARTS.• KEEP ALL SHIELDS & GUARDS IN PLACE FOR YOUR PROTECTION.• DISENGAGE PTO AND SHUT OFF ENGINE BEFORE SERVICING TRACTOR OR IMPLEMENTS OR ATTACHING AND DETACHING IMPLEMENTS.	<p>THIS TRACTOR IS EQUIPPED WITH A 1000 RPM PTO SYSTEM. TO PREVENT POSSIBLE PERSONAL INJURY AND/OR EQUIPMENT DAMAGE DO NOT CONNECT EQUIPMENT DESIGNED TO OPERATE AT 540 RPM.</p> <p>TO PREVENT EQUIPMENT DAMAGE DRAW BAR POSITION TO BE:</p> <p>POSITION FROM GROUND 18.5 IN (470 mm)</p> <p>SHAFT END TO HITCH PIN 20.0 IN (508 mm)</p>
---	--

02-112811

2-7125T1

SAFETY/DECALS



TRIM THIS EDGE

For ROPS canopy models only.



60-5866T1

Decal Location - on top front frame member to right of ROPS certification plate.

⚠ WARNING

AVOID INJURY OR DEATH

BEFORE STARTING ENGINE:

- 1 Read the operator's manual for safety information and operating instructions
- 2 Read all tractor safety signs
- 3 Be sure other people are clear of tractor and equipment
- 4 Start engine only from seat
- 5 Shields are for your protection, keep them in place

OPERATION:

- 1 Always buckle and adjust seat belt.
- 2 No riders on tractor or equipment
- 3 Keep hands, feet and clothing away from power driven parts
- 4 For road travel, use flashing warning lamps and keep the SMV emblem visible
- 5 Do not pull with elastic tow ropes. Elastic stores energy and sudden release will cause an uncontrolled rope recoil
- 6 Stay clear of hinge area when engine is running. Never turn steering wheel unless everyone is clear of equipment

TRACTORS CAN BE UPSET:

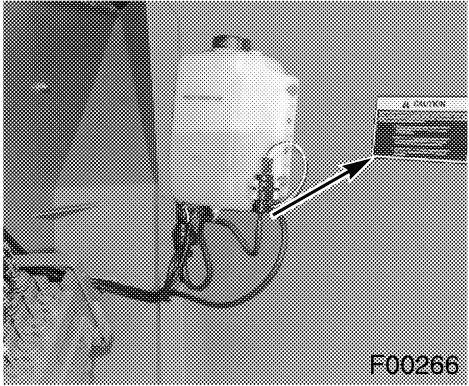
- 1 Reduce speed on turns and rough ground. Avoid steep slopes
- 2 Avoid rear upset. Pull only from drawbar, never higher

WHEN TRACTOR HAS STOPPED:

- 1 Engage park brake
- 2 Lower implement to ground
- 3 Disengage PTO, stop engine and wait for all movement to stop before servicing or clearing equipment

60-6468T1

SAFETY/DECALS



⚠ CAUTION

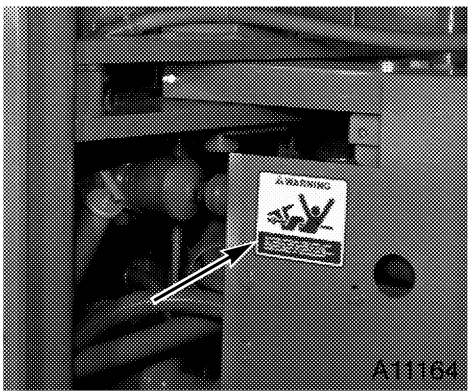
ELECTRICAL SYSTEM IS PARALLEL 12 VOLT NEGATIVE GROUND. WHEN SERVICING ELECTRICAL SYSTEM DISCONNECT GROUND CABLES AT THE BATTERY. WHEN USING BOOSTER BATTERIES WITH JUMPER CABLES, CONNECT WITH CAUTION TO PREVENT PERSONAL INJURY OR ELECTRICAL DAMAGE.

1. Attach one end of jumper cable to positive terminal of vehicle battery & other end to positive terminal of booster battery.
2. Attach one end of second cable to negative terminal of booster battery & the other end to vehicle front frame away from battery. Do not attach to cab.
3. To remove cables, reverse above sequence exactly to avoid sparks. See Operator's Manual for additional information.

02-6875T1

2-6875T1

TRIM THIS EDGE



⚠ WARNING

ROTATING DRIVELINE - KEEP AWAY, KEEP ALL SHIELDS AND GUARDS IN PLACE. PERSONAL INJURY OR DEATH CAN RESULT FROM WRAPPING OR ENTANGLEMENT.

02-7126T1

2-7126T1

Buy Now



Our support email:

ebooklibonline@outlook.com