

**1090 Tractor**  
Operator Manual

9-2741

Reprinted








*THIS SAFETY ALERT SYMBOL INDICATES IMPORTANT SAFETY MESSAGES IN THIS MANUAL. WHEN YOU SEE THIS SYMBOL, CAREFULLY READ THE MESSAGE THAT FOLLOWS AND BE ALERT TO THE POSSIBILITY OF PERSONAL INJURY OR DEATH.*

M171B

If Safety Decals on this machine use the words **Danger, Warning or Caution**, which are defined as follows:

- **DANGER:** Indicates an immediate hazardous situation which if not avoided, will result in death or serious injury. The color associated with Danger is RED.
- **WARNING:** Indicates an potentially hazardous situation which if not avoided, will result in serious injury. The color associated with Warning is ORANGE.
- **CAUTION:** Indicates an potentially hazardous situation which if not avoided, may result in minor or moderate injury. It may also be used to alert against unsafe practices. The color associated with Caution is YELLOW.

If Safety Decals on this machine are ISO two panel Pictorial, decals are defined as follows:

- The first panel indicates the nature of the hazard.
- The second panel indicates the appropriate avoidance of the hazard.
- Background color is YELLOW.
- Prohibition symbols such as   and  if used, are RED.



# WARNING

IMPROPER OPERATION OF THIS MACHINE CAN CAUSE INJURY OR DEATH. BEFORE USING THIS MACHINE, MAKE CERTAIN THAT EVERY OPERATOR:

- Is instructed in safe and proper use of the machine.
- Reads and understands the Manual(s) pertaining to the machine.
- Reads and understands ALL Safety Decals on the machine.
- Clears the area of other persons.
- Learns and practices safe use of machine controls in a safe, clear area before operating this machine on a job site.

It is your responsibility to observe pertinent laws and regulations and follow Case Corporation instructions on machine operation and maintenance.



**1090 Tractor  
Operators Manual**

**Rac Form No 9-2741**

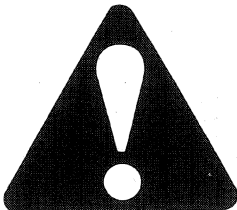
## **TO THE PURCHASER OF A CASE TRACTOR**

The care you give your Case Tractor will greatly determine the satisfaction and service you will obtain from it. Use this manual as your guide. By observing the instructions and suggestions in this manual, your Case Tractor will serve you well for many years.

As an Authorized Case Dealer, we stock Genuine Case Parts, which are manufactured with the same precision and skill as the original equipment. Our factory trained staff is kept well informed on the best methods of servicing Case equipment and is ready and able to help you.

Should you require additional aid or information, contact us.

**Your Authorized Case Dealer**



**LOOK FOR THIS SYMBOL TO POINT  
OUT IMPORTANT SAFETY PRECAUTIONS**

**TO INSURE EFFICIENT AND PROMPT SERVICE, PLEASE  
FURNISH US WITH THE MODEL, SERIAL, ENGINE AND  
TRANSMISSION SERIAL NUMBERS OF YOUR TRACTOR IN ALL  
CORRESPONDENCE OR CONTACTS.**

**PRICE \$1.25**

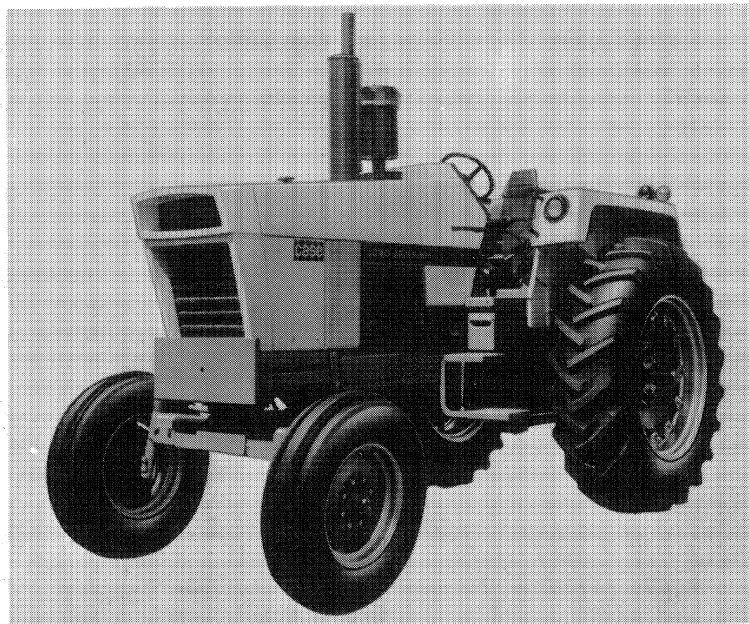


Figure 1

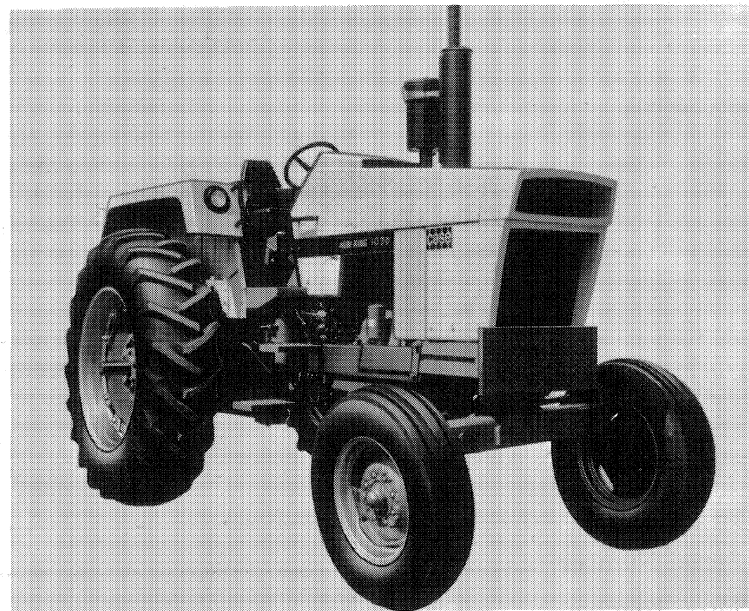


Figure 2

## SERIAL NUMBERS

When ordering parts from your Authorized Case Dealer and in all contacts or correspondence with your dealer, relative to the Tractor always specify the Model, Serial, Engine and Transmission Serial Numbers of your Tractor.

The Model and Serial Numbers are stamped on the number plate located on the outside and lower left hand side of the fire wall assembly, Figure 3. The Engine Number is stamped on a plate fastened to the rear right hand side of the engine block, Figure 4. The transmission Serial Number is stamped on a plate and fastened to the right hand side and to the front of the axle on the transmission housing, Figure 5.

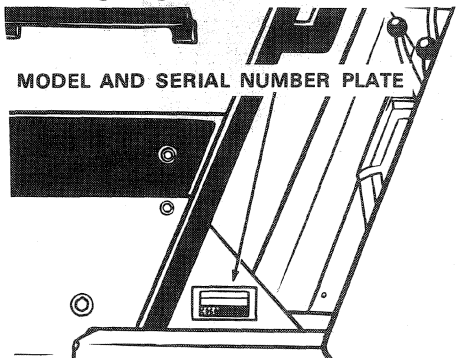


Figure 3

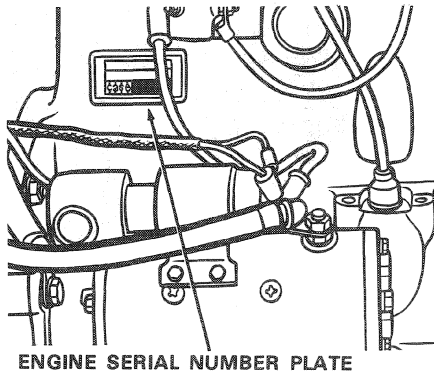


Figure 4

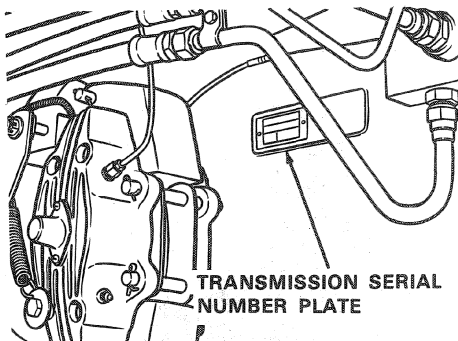


Figure 5

**NOTE** The terms "Right Hand" and "Left Hand" whenever used in this manual, apply to the tractor when facing in the direction the tractor will move in forward operation.

For reference, fill in the Serial Numbers of your tractor in spaces provided below.

Model Designation \_\_\_\_\_

Tractor Serial Number \_\_\_\_\_

Engine Serial Number \_\_\_\_\_

Transmission Serial Number \_\_\_\_\_

# Diesel Engine

## SPECIFICATIONS

### General

Type .....	6 Cylinder, 4 Stroke Cycle, Valve-in-Head.
Firing Order .....	1-5-3-6-2-4
Bore .....	4-3/8 Inches
Stroke .....	5 Inches
Piston Displacement .....	451 Cubic Inches
Compression Ratio .....	16.5 to 1
Cylinder Sleeves .....	Removable Wet Type
No Load Governed Speed .....	2160 RPM
Rated Engine Speed .....	2000 RPM
Engine Idling Speed .....	725 RPM
*Valve Tappet Clearance (Exhaust) .....	(Hot) .020 Inch (Cold) .025 Inch
(Intake) .....	(Hot and Cold) .015 Inch

\*Hot Settings Are Made After The Engine Has Operated At Thermostat Controlled Temperature For At Least Fifteen Minutes.

### Piston and Connecting Rods

Rings per Piston .....	3
Number of Compression Rings .....	2
Number of Oil Rings .....	1
Type Pins .....	Full Floating Type
Type Bearing .....	Replaceable Precision, Steel Back, Copper-Lead Alloy Liners.

### Main Bearings

Number of Bearings .....	7
Type Bearings .....	Replaceable Precision Steel Back, Copper-Lead Alloy Liners.

## **Engine Lubricating System**

Oil Pressure ..... 45 to 55 Pounds with Engine Warm and  
Operating at Rated Engine Speed.

Type System ..... Pressure and Spray Circulation

Oil Pump ..... Gear Type

Oil Filter ..... Full Flow Spin on Type

## **Fuel System**

Fuel Injection Pump ..... Robert Bosch, Type PES  
(Multiple Plunger.)

Pump Timing ..... 30 Degrees Before Top Dead  
Center (Port Closing).

Fuel Injectors ..... Pencil Type  
(Opening Pressure 2800 PSI).

Fuel Transfer Pump ..... Plunger Type, Integral Part of  
Injection Pump.

Governor ..... Variable Speed, Fly-Weight Centrifugal  
Type; Integral Part of Injection Pump.

1st Stage fuel filter ..... Full Flow Spin on Type

2nd Stage fuel filter ..... Full Flow Spin on Type

Hand Primer Pump ..... Located on Fuel Filter Head

Fuel Tank Water Trap and Drain ..... Located in Base  
of Fuel Tank.

Fuel Tank Capacity ..... 50 U.S. Gallons

Fuel Level Gauge ..... Electric, Located on Instrument  
Panel.



## *general specifications*

### **Cooling System**

Capacity .....	40 U.S. Quarts
Type of System .....	Pressurized, Thermostat Controlled By-Pass Type: Forced Circulation, (Impeller Type Pump).
Radiator .....	Heavy Duty Fin and Tube Type
Thermostat .....	Starts to Open at Approximately 180°F., Fully Open at 202°F.
Pressure Cap Required .....	(w/o Cab Air Conditioner) 7 PSI
Pressure Cap Required .....	(w/Cab Air Conditioner) 14 PSI

When using a proper operating radiator pressure cap, the engine temperature can safely rise to 230°F.

### **Electrical System**

Type of System .....	12 Volt Negative Ground
Batteries .....	(2) 12 Volt Batteries Connected in parallel. Group Size 30H, Rated at 1.255 to 1.265 Specific Gravity. Discharge Rate 300 Amps at 0°F. Voltage Drops to 9.2 after 10 seconds. Voltage drops 1.0 Volt per cell after 4 min.
Alternator .....	12 Volt 55 Amp Output
Voltage Regulator .....	12 Volt, Solid State, Mounted on Alternator.
Starter Motor .....	12 Volt with Solenoid Switch
Head Lights (2) .....	12 Volt, 35 Watt, Sealed Beam
Flood Lights (2) .....	12 Volt, 35 Watt, Sealed Beam
Amber Warning Light .....	12 Volt, Double Face, Flasher Type
Rear Tail Light .....	12 Volt, 60 Watt Sealed Beam Combination Tail and Flood Lamp.
Circuit Breaker System over Load check .....	12 Volt Twin 40 AMP Breakers connected in parallel, 80 AMP rating. 60 Amp. Min. Continuous capacity.
Lights Circuit Breaker .....	30 Amp., Located on Light Switch
Parking Brake Warning Light .....	12 Volt, Red Flasher Type
Transmission Oil Filter Warning Light ....	12 Volt, Red Flasher Type

***Buy Now***



Our support email:

[ebooklibonline@outlook.com](mailto:ebooklibonline@outlook.com)