

**Operating and Maintenance
Manual for
1210, 1210 4WD and
1212 Tractors with
Quiet Cab**

Pub. 9-5007

DAVID BROWN®

Supplement to Manual for
Operators of Tractors with
Improved Q-Cab

Pub. 9-5783 November 1977



David Brown Tractors Ltd

A Tenneco Company

Affiliate of J I Case

CONTENTS

	Page
INTRODUCTION	
LEVER FOR PTO CLUTCH.	1
LEVELLING LEVER	2
RIGHT-HAND WINDOW.	2
TRIPLE REAR WINDOW	3
WINDSCREEN WASHER	3
CONTROLS ON ROOF PANEL	4
Heater/Ventilator.	4
Interior Light	4
AIR FILTER (FOR HEATER/VENTILATOR)	5
To replace Air Filter Element	5
SUN VISOR.	6

INTRODUCTION

This supplement is for use with the Manual for Operators of Q-Cab tractors. It gives operating and servicing instructions for equipment added to the improved quiet cab.

LEVER FOR PTO CLUTCH

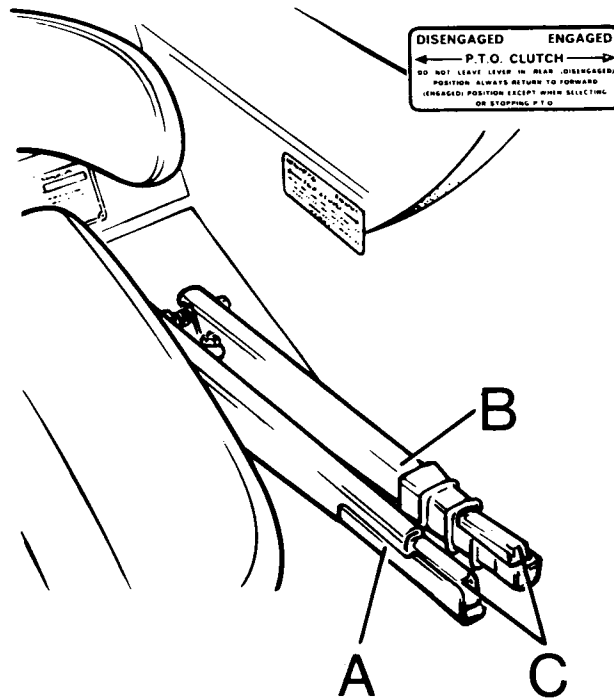


FIGURE 1. PARKING BRAKE AND PTO CLUTCH LEVERS

A. *Parking brake lever*
B. *PTO clutch lever*

C. *Catch lever*

1. To disengage the PTO clutch, pull up lever B.
2. To engage the PTO clutch, pull up lever B, release catch lever C then push down lever B.

LEVELLING LEVER

You can now adjust the levelling lever by using handle A (Figure 2). Turn handle clockwise to raise link.

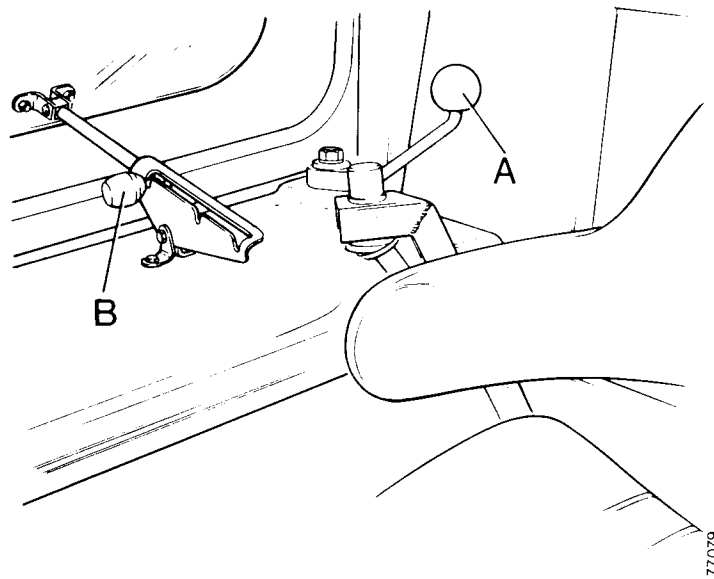


FIGURE 2. LEVELLING LEVER AND RIGHT-HAND WINDOW

A. Levelling lever knob

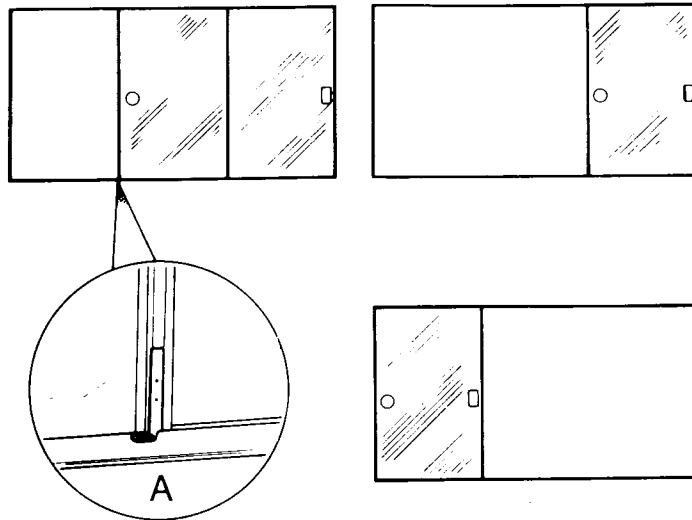
B. Window knob

RIGHT-HAND WINDOW

Fasten the window in one of the two open positions by putting the knob in one of the slots. Put knob in third slot to hold window closed. To prevent dirt from tyre getting on to window, do not open past centre slot.

TRIPLE REAR WINDOW

To open centre panel, lift bolt A (Figure 3). Move panels to left or right for single or double opening as shown.



77080

FIGURE 3. TRIPLE REAR WINDOW

A. Centre panel bolt

WINDSCREEN WASHER

The windscreen washer reservoir is behind the right-hand door pillar on top of the fender. Fill reservoir with clean water. To clean the windscreen, move the windscreen wiper switch towards the driver. Move windscreen wiper switch toward windscreen to actuate wiper.

NOTE: Do not use cooling system anti-freeze in windscreen washer. Use an approved windscreen washer additive.

CONTROLS ON ROOF PANEL

Heater/Ventilator

The controls for heating and ventilation are shown in Fig.4. Turn temperature control knob (A) counter clockwise to increase temperature. Turn temperature control knob fully clockwise for cold air.

Use fan switch (B) to obtain hot or cold air flow. The switch has fast and slow positions. The air flows through ducts to de-mist the screen and through eye-ball ventilators (C). You can adjust the direction and amount of flow through the ventilators. Turn central knobs counter-clockwise to close ventilators, this will increase flow through screen vents for de-misting. (For maximum de-misting use the fast fan speed and maximum heat).

Interior Light

The interior light switch is the light lens. Press lens toward screen to put the light off and toward driver to put the light on.

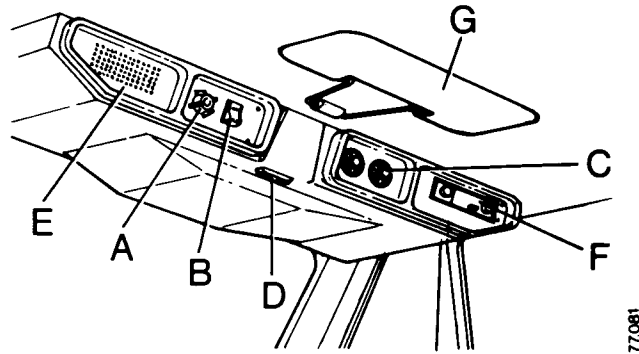


FIGURE 4. ROOF PANEL CONTROLS

- | | | |
|-------------------------|------------------|---------------|
| A. Temperature control | E. Radio speaker | } When fitted |
| B. Fan switch | F. Radio | |
| C. Eye-ball ventilators | G. Sun visor | |
| D. Interior light | | |

AIR FILTER (Heater/Ventilator)

The intake louvres for the heater/ventilator fan are above the triple sliding window on the cab rear panel. The air flows through a filter element (see Fig. 5) before entering the heater/ventilator. Keep louvres clear and replace dirty filter elements to make sure that system operates with efficiency. Note that filter element will need replacing with more frequency in dusty conditions. Replace element once per year under normal conditions.

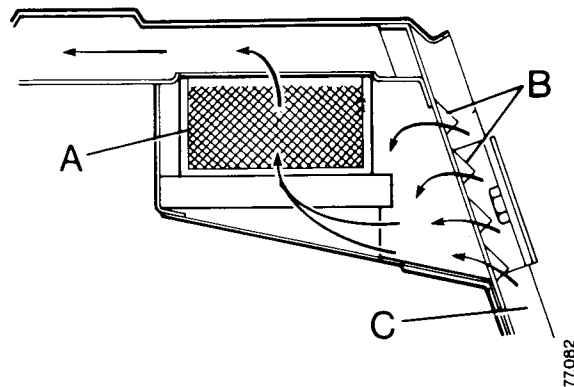


FIGURE 5. AIR FLOW FOR HEATER/VENTILATOR

- A. Filter
B. Air intake louvres
C. Cab rear panel

To Replace Air Filter Element (Heater/Ventilator)

1. You will need a new element (Part No. K952133) and a screwdriver.
2. Use the screwdriver to unscrew eight fasteners (see Fig. 6) and remove the filter access door.

Buy Now



Our support email:

ebooklibonline@outlook.com