



SERVICE MANUAL

LOADALL (ROUGH TERRAIN
VARIABLE REACH TRUCK)
**531-70, 535-95, 536-60, 536-70,
536-70LP, 541-70, 550-80, 560-80**

EN - 9823/0550 - ISSUE 1 - 03/2018

This manual contains original instructions, verified by the manufacturer (or their authorized representative).

Copyright 2018 © JCB SERVICE
All rights reserved. No part of this publication may be reproduced, stored in a retrieval system, or transmitted in any form or by any other means, electronic, mechanical, photocopying or otherwise, without prior permission from JCB SERVICE.

www.jcb.com

Foreword

The Operator's Manual

⚠
You and others can be killed or seriously injured if you operate or maintain the machine without first studying the Operator's Manual. You must understand and follow the instructions in the Operator's Manual. If you do not understand anything, ask your employer or JCB dealer to explain it.

Do not operate the machine without an Operator's Manual, or if there is anything on the machine you do not understand.

Treat the Operator's Manual as part of the machine. Keep it clean and in good condition. Replace the Operator's Manual immediately if it is lost, damaged or becomes unreadable.

Contents

- 01 - Machine**
- 03 - Attachments, Couplings and Load Handling**
- 06 - Body and Framework**
- 09 - Operator Station**
- 12 - Heating, Ventilating and Air-Conditioning (HVAC)**
- 15 - Engine**
- 18 - Fuel and Exhaust System**
- 21 - Cooling System**
- 24 - Brake System**
- 25 - Steering System**
- 27 - Driveline**
- 30 - Hydraulic System**
- 33 - Electrical System**
- 72 - Fasteners and Fixings**
- 75 - Consumable Products**
- 78 - After Sales**

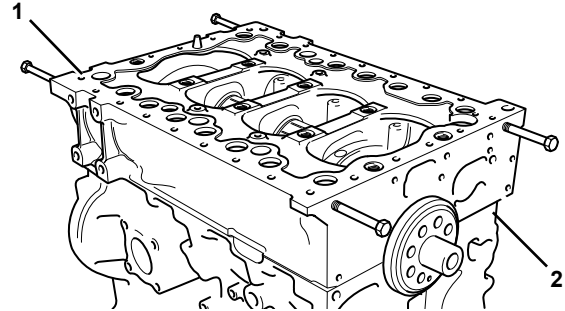
00 - General

[Introduction](#) 15-61
[Remove and Install](#) 15-62

Introduction

The bedplate acts as the main strength component of the engine. It maintains the correct alignment and supports the weight of the internal components.

Figure 171.



- 1 Bedplate
- 2 Crankcase

Remove and Install

Special Tools

Description	Part No.	Qty.
Template for Sealant Bedplate to Crankcase (4 Cyl)	892/12356	1
Torque Wrench (10-100Nm)	993/70111	1

Consumables

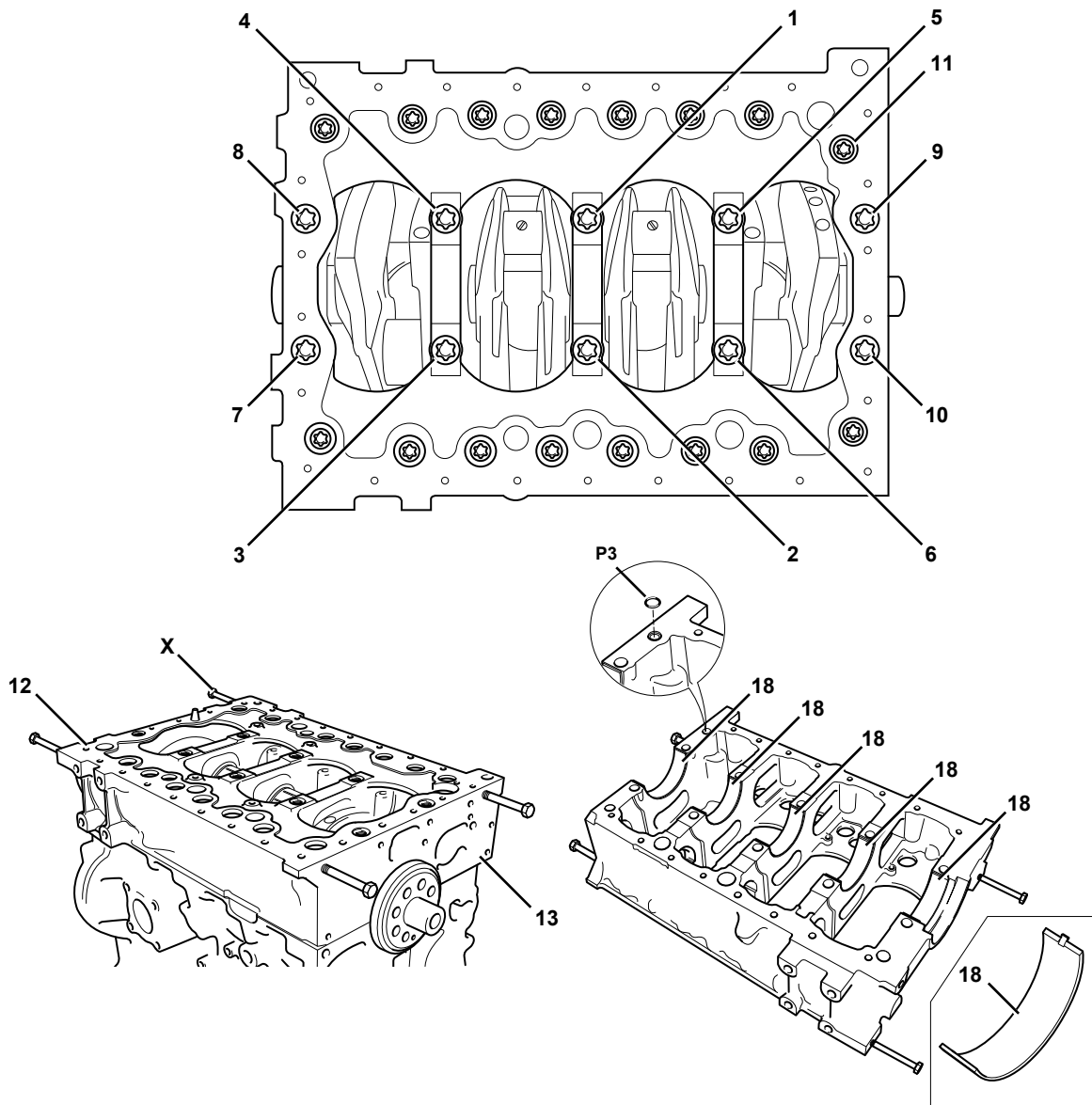
Description	Part No.	Size
Cleaner/Degreaser - General purpose solvent based parts cleaner	4104/1557	0.4L

▲ CAUTION This component is heavy. It must only be removed or handled using a suitable lifting method and device.

Before Removal

- This procedure requires service parts. Make sure you have obtained the correct service parts before you start, refer to Parts Catalogue.
- Make sure that the engine is safe to work on. If the engine has been running, let it cool before you start the service work.
- Remove the engine, refer to (PIL 15-00).
- Remove the drive belt, refer to (PIL 15-18).
- Remove the crankshaft pulley, refer to (PIL 15-12).
- Remove the oil sump, refer to (PIL 15-45).
- Disconnect and remove the fuel pipes from the injectors, refer to (PIL 18-96).
- Remove the rocker cover, refer to (PIL 15-42).
- Remove the fuel injectors, refer to (PIL 18-18).
- Remove the rocker assembly including the push rods, refer to (PIL 15-42).
- It is not necessary to remove the cylinder head assembly to remove the crankshaft. If however the cylinder head needs to be removed for other reasons (for piston and connecting rod removal for example) remove it now, refer to (PIL 15-06).
- Remove the fuel injection pump, refer to (PIL 18-18).
- Remove the starter motor, refer to (PIL 15-75).
- Remove the high duty PTO (Power Take-Off) device (if installed).
- Position the engine upside down in a suitable jig or fixture, supported at the front of the cylinder block.
- Remove the flywheel, refer to (PIL 15-54).
- Remove the flywheel housing, refer to (PIL 15-54).
- Remove the fuel injection pump drive gear, refer to (PIL 15-51).
- Remove the oil pump, refer to (PIL 15-60).
- Remove the high duty PTO idler drive gear (if installed), refer to (PIL 15-51).
- Remove the crankshaft drive gear, refer to (PIL 15-51).
- Remove the camshaft, refer to (PIL 15-15).
- Remove the rear timing case, refer to (PIL 15-51).
- If the pistons and connecting rods have not been removed, undo and remove the main bearing caps, refer to (PIL 15-12).

Figure 172.



- 1-10** Main bearing bolts (x10)
- 12** Bedplate
- 18** Upper bearing shell (x5)
- T1** Lifting bolts (obtain locally)

- 11** Bedplate peripheral bolts (x16)
- 13** Crankcase
- P3** O-ring (if installed)

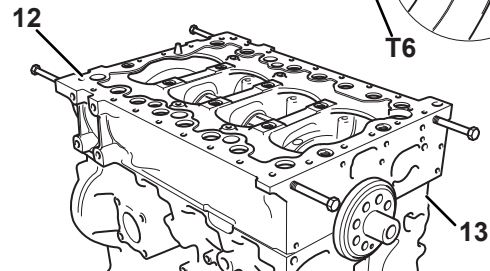
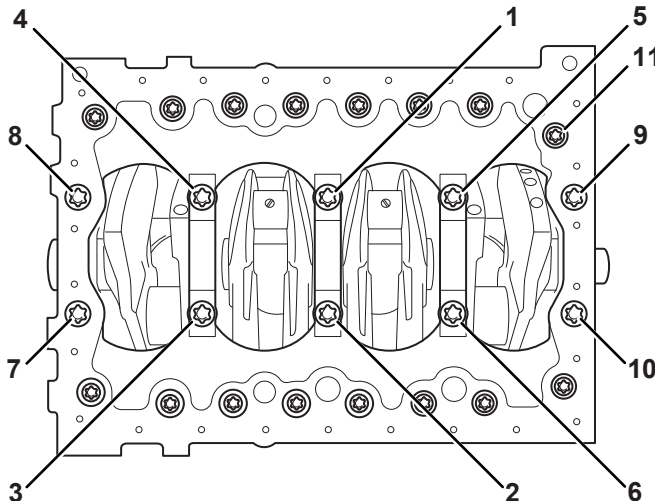
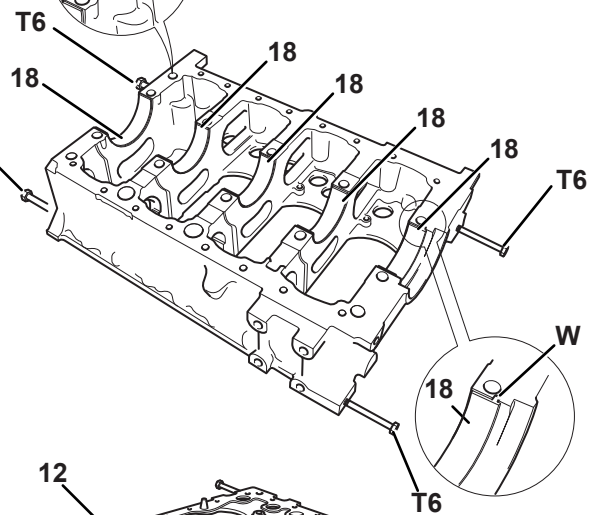
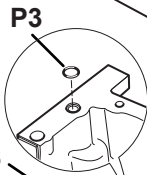
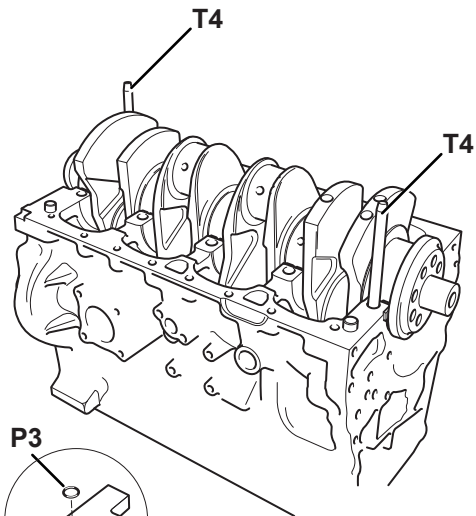
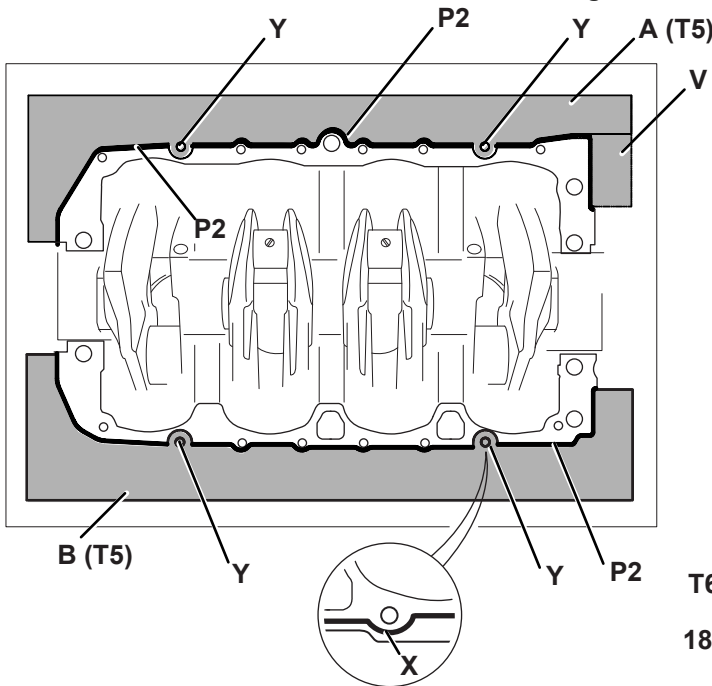
Remove

1. Remove the bedplate peripheral bolts.
2. Progressively remove the main bearing bolts in reverse order starting at bolt 10. The bolts MUST NOT be re-used. Discard the bolts.
3. Install the four temporary lifting bolts. Carefully separate the bedplate from the crankcase. Use

suitable lifting equipment (if the bedplate is lifted manually, two people will be required). DO NOT use a lever to separate the bedplate.

4. Remove and discard the O-ring.
5. Carefully remove the upper bearing shells from the bedplate, remove the bedplate.

Figure 173.



- 1-10 Main bearing bolts
- 12 Bedplate
- 18 Lower bearing shells (x5)
- B Right side template

- 11 Bedplate peripheral bolts (x16)
- 13 Crankcase
- A Left side template
- T3 Angle Gauge (obtain locally)



T4 Guide pins (x2 obtain locally)
T6 Lifting bolts (x4 obtain locally)
W Bearing tab
Y Bearing location tab
P3 O-ring

T5 Sealant template
V Sealant template portion for removal
X Rear main bearing
P2 Anaerobic sealant

Before Installation

1. Clean off all traces of the old sealant compound from the crankcase and bedplate mating faces.
2. Use a suitable degreasing agent to carefully clean the main bearing saddles in the bedplate and crankcase. Take care not to block the oil ways or the piston cooling jets.

Consumable: Cleaner/Degreaser - General purpose solvent based parts cleaner

Important: Anaerobic sealant will not start to cure whilst it is open to the atmosphere, however when air is excluded (for instance when the two parts are put together) it will immediately start to harden. Make sure that all the necessary tools, bolts etc. are readily available prior to assembling the components. The parts must be installed and tightened to the correct torque value within 5 minutes (with a maximum permissible time of 15 minutes).

Important: BEFORE installing the bedplate: DO NOT rotate the crankshaft. Make sure that the upper main bearing shells are flush with the bottom face of the crankcase.

Install

1. The installation procedure is the opposite of the removal procedure. Additionally do the following steps.
2. Make sure that all items are clean and free from damage and corrosion.
3. Install the two guide pins T4 to the crankcase bedplate fixing holes as shown.
4. Install the four lifting bolts T6 to the bedplate as shown.
5. Install a new O-ring at the bedplate.
6. Use a suitable degreasing agent to clean both sides of the lower bearing shells. Assemble the lower bearing shells into the bedplate. Lubricate the lower bearing shells with clean engine oil. Note: Make sure that the location tab W engages in the slot as shown.
7. Note: The sealant template T5 is used on the crankcase, NOT the bedplate. The sealant template T5 comprises of two pieces, A and B. Modify the template A by removing portion V.

Consumable: Cleaner/Degreaser - General purpose solvent based parts cleaner

Special Tool: Template for Sealant Bedplate to Crankcase (4 Cyl) (Qty.: 1)

8. Locate the holes in the templates A and B using four fixing bolts at positions Y. Use the templates

as a guide apply beads of sealant P2 around the crankcase/bedplate mating face as shown to the dimension specified.

Length/Dimension/Distance: 1.5mm

9. Remove the four fixing bolts at positions Y. Remove the templates A and B, make sure you do not smudge the sealant. Discard the templates.
10. Add beads of sealant P2 around the four bolt holes at positions Y, so as to join the sealant beads as shown at X.
11. Make sure that the location guide pins T4 are in position in the crankcase. Assemble the bedplate to the crankcase use the alignment guide pins.
12. Note: The bedplate is heavy. Two people will be required to lift and rotate the bedplate safely on to the crankcase. Install new main bearing bolts 1-10. Tighten the bolts to the correct torque value in pairs, starting in the centre and working outwards (in sequence 1-10) to the 1st stage pre-torque.

Special Tool: Torque Wrench (10-100Nm) (Qty.: 1)

13. Install the bedplate peripheral bolts. Tighten the bolts to the correct torque value.
14. After installation and tightening the bedplate peripheral bolts, further tighten the main bearing bolts in pairs, starting in the centre and working outwards (in sequence 1-10) to the 2nd stage pre-torque.
15. Finally, angle tighten the main bearing bolts in pairs, starting in the centre and working outwards (in sequence 1-10) for the final stage torque. Use the torque and angle method, refer to Fasteners and Fixings, General, Introduction (PIL 72-00).

Important: If the parts have not been tightened to the correct torque value within the maximum 15 minute time period, then the parts must be separated, thoroughly cleaned and fresh sealant applied.

After Installation

1. Check that the crankshaft can be freely rotated by hand. Remove the bedplate lifting bolts T6.
2. Carry out the procedures listed, Before removal in reverse order.

Table 80. Torque Table

Item	Torque Value
1-10 (1st Stage)	50N·m
1-10 (2nd Stage)	115N·m



Item	Torque Value
1-10 (Final Stage)	180°
11	24N·m

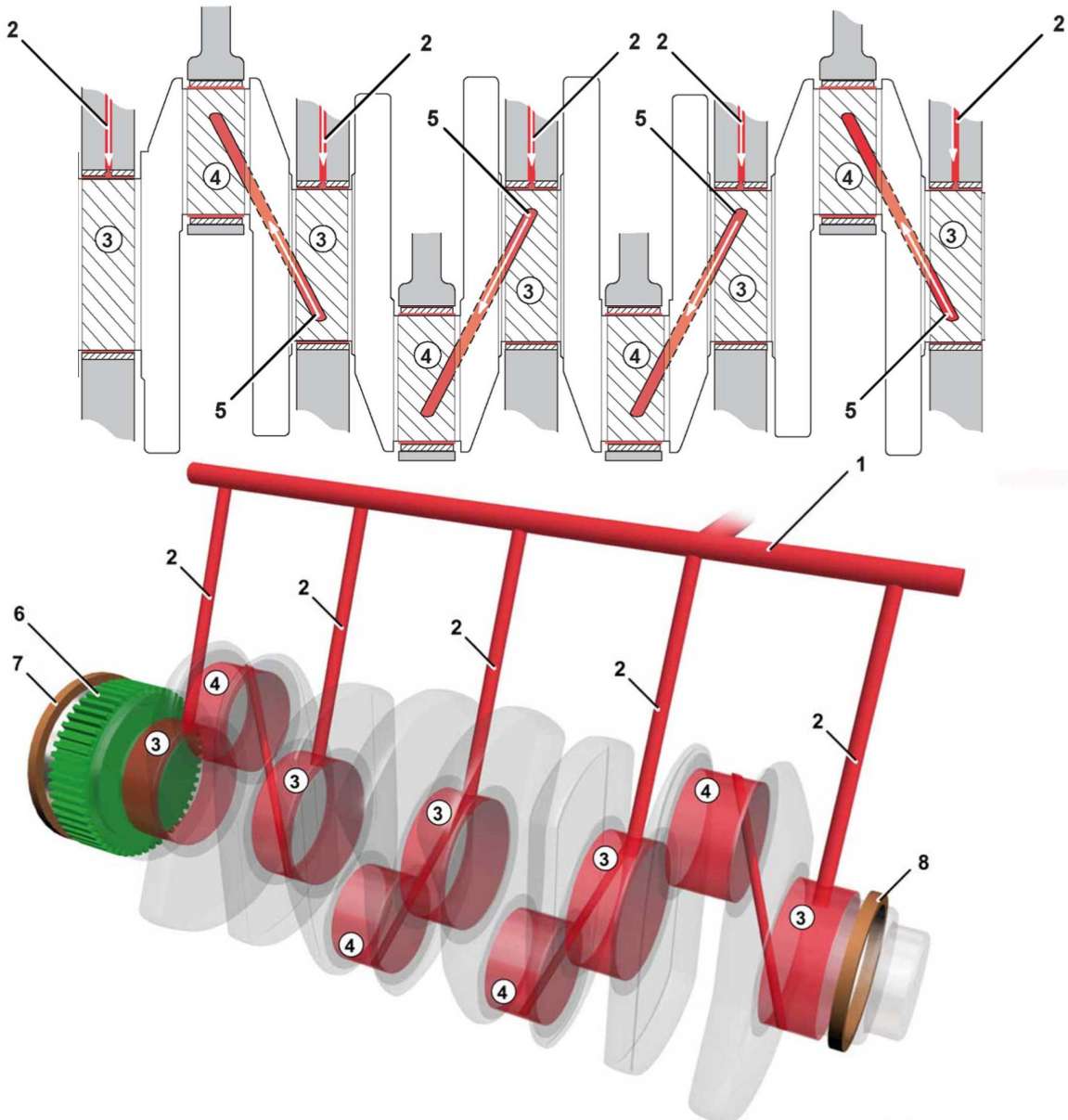
Operation

Lubrication

Oil is fed from the main gallery via five drillings, one to each of the main bearings. A groove around the

diameter of the upper main bearing shell allows oil transfer to cross drillings in the crankshaft to feed each of the big end bearings. Crankshaft gear is 'splash' lubricated. Front and rear crankshaft oil seals prevent oil leakage from, and dirt ingress to, the engine.

Figure 176.



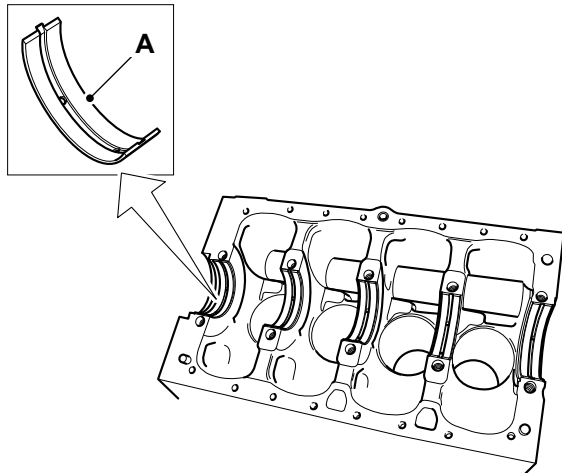
- 1 Main gallery
- 3 Main bearings
- 5 Cross drillings
- 7 Crankshaft oil seal

- 2 Drillings (x5)
- 4 Big end bearings
- 6 Crankshaft gear
- 8 Crankshaft oil seal

Check (Condition)

1. Check the main bearing surfaces for damage and excessive wear.

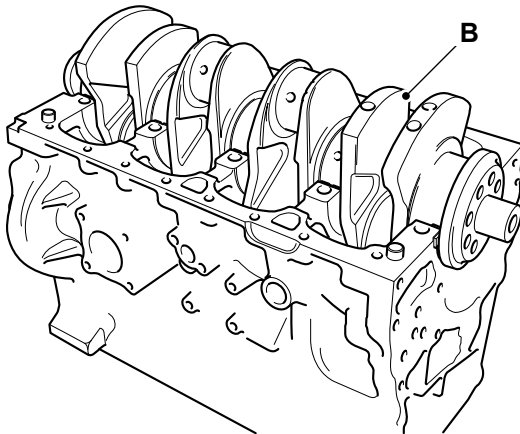
Figure 177.



A Main bearing shells

2. Measure the crankshaft diameters to confirm they are within service limits, refer to Technical Data (PIL 15-12).

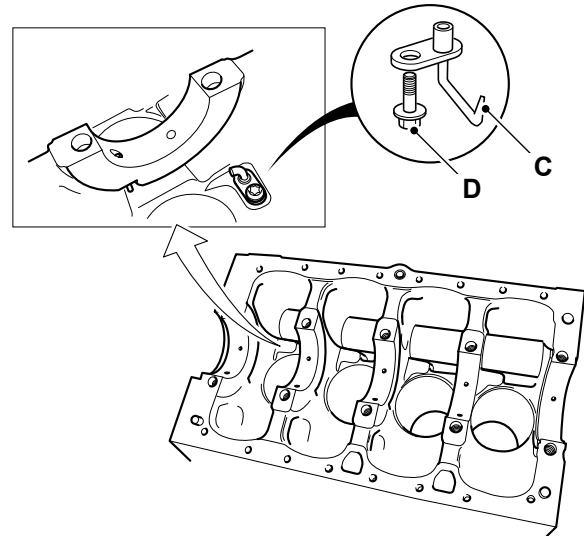
Figure 178.



B Crankshaft

3. Check that the oil-way cross drillings in the crankshaft are clear and free from debris. Blocked or restricted oil-ways will cause oil starvation at the big end bearings.
4. Check that the piston cooling J-jets are clear. If the J-jets cannot be cleared remove the fixing screws. Remove the J-jets and discard them.
5. Install new J-jets.

Figure 179.



C J-jets
D Fixing screws

Remove and Install

Consumables

Description	Part No.	Size
Cleaner/Degreaser - General purpose solvent based parts cleaner	4104/1557	0.4L

▲ CAUTION This component is heavy. It must only be removed or handled using a suitable lifting method and device.

Before Removal

1. This procedure requires service parts. Make sure you have obtained the correct service parts before you start, refer to Parts Catalogue.
2. Make sure that the engine is safe to work on. If the engine has been running, let it cool before you start the service work.
3. Remove the engine, refer to (PIL 15-00).
4. Remove the drive belt, refer to (PIL 15-18).
5. Remove the crankshaft pulley, refer to (PIL 15-12).
6. Remove the oil sump, refer to (PIL 15-45).
7. Disconnect and remove the fuel pipes from the injectors, refer to (PIL 18-96).
8. Remove the rocker cover, refer to (PIL 15-42).
9. Remove the fuel injectors, refer to (PIL 18-18).
10. Remove the rocker assembly including the push rods, refer to (PIL 15-42).
11. It is not necessary to remove the cylinder head assembly to remove the crankshaft. If however the cylinder head needs to be removed for other

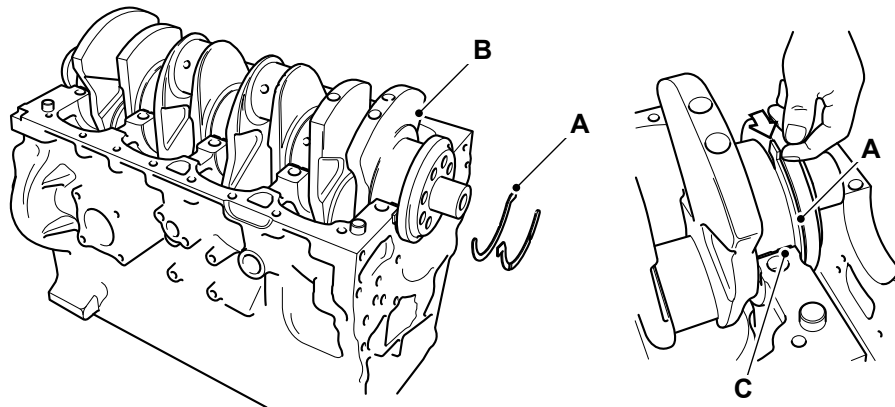
reasons (for piston and connecting rod removal for example) remove it now, refer to (PIL 15-06).

12. Remove the fuel injection pump, refer to (PIL 18-18).
13. Remove the starter motor, refer to (PIL 15-75).
14. Remove the high duty PTO device (if installed).
15. Position the engine upside down in a suitable jig or fixture, supported at the front of the cylinder block.
16. Remove the flywheel, refer to (PIL 15-54).
17. Remove the flywheel housing, refer to (PIL 15-54).
18. Remove the fuel injection pump drive gear, refer to (PIL 15-51).
19. Remove the oil pump, refer to (PIL 15-60).
20. Remove the high duty PTO idler drive gear (if installed), refer to (PIL 15-51).
21. Remove the crankshaft drive gear, refer to (PIL 15-51).
22. Remove the camshaft, refer to (PIL 15-15).
23. Remove the rear timing case, refer to (PIL 15-51).
24. If the pistons and connecting rods have not been removed, undo and remove the main bearing caps, refer to (PIL 15-12).
25. Remove the bedplate, refer to (PIL 15-09).

Remove

1. Remove the thrust washers between the crankshaft and crankcase rear main bearing.

Figure 180.



- A** Thrust Washers
- C** Rear main bearing

- B** Crankshaft

2. Put labels on the thrust washers to make sure that they are installed in the correct positions during assembly.
3. Use suitable lifting equipment to carefully lift the crankshaft from the crankcase (if the crankshaft is lifted manually, two people will be required).
4. Carefully lift out the bearing shells.

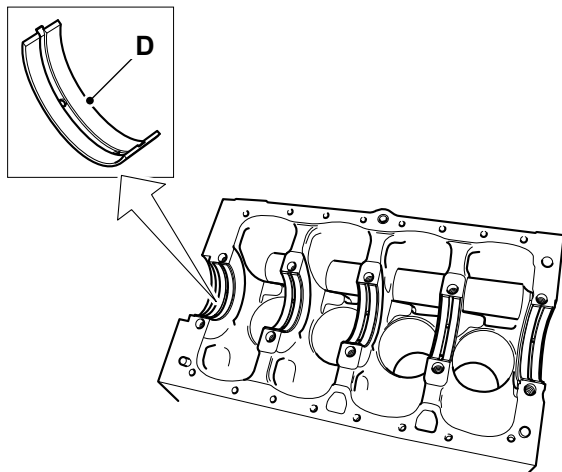
Before Installation

1. Clean off all traces of the old sealant compound from the crankcase and bedplate mating faces.
2. Use a suitable degreasing agent to carefully clean the main bearing saddles in the bedplate and crankcase. Take care not to block the oil ways or the piston cooling jets.

Consumable: [Cleaner/Degreaser - General purpose solvent based parts cleaner](#)

Important: Cleanliness is of the utmost importance. Blocked oil-ways or oil jets will cause engine failure. Before you install the crankshaft make sure that ALL oil-ways and jets are clear and free from debris.

Figure 181.



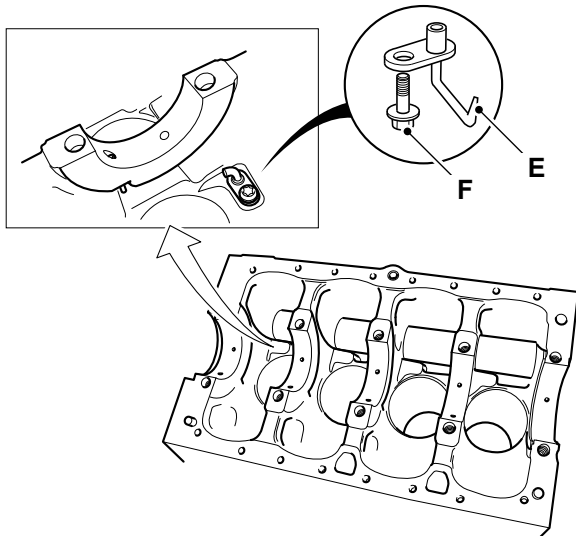
- D** Main bearing shells

5. It is recommended that the bearing shells are replaced. If however they are to be used again, put label on the shells to make sure that they are installed in their original positions during assembly.
6. Inspect the crankshaft and main bearings etc. for damage and excessive wear. Refer to Check Condition (PIL 15-12).

Install

1. The installation procedure is the opposite of the removal procedure. Additionally do the following steps.
2. Make sure that all items are clean and free from damage and corrosion.
3. If removed or a new crankcase is being installed then install cooling J jets as follows:

Figure 182.

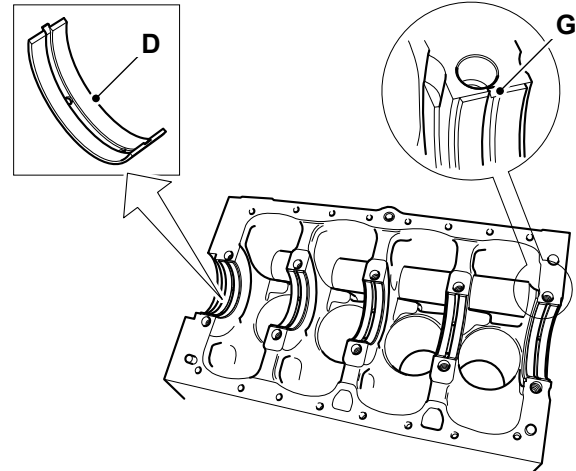


- E** J jets (x4)
- F** Fixing screws

- 3.1. Insert the cooling jets into the crankcase.
- 3.2. Note: There are different types of cooling jets installed depending on the engine application. The jets are colour coded.
- 3.3. Be sure to install the correct jets. Refer to the relevant parts catalogue for the correct cooling jet identification.
- 3.4. Tighten the retaining screws to the correct torque value.

4. Install the upper bearing shells as follows:

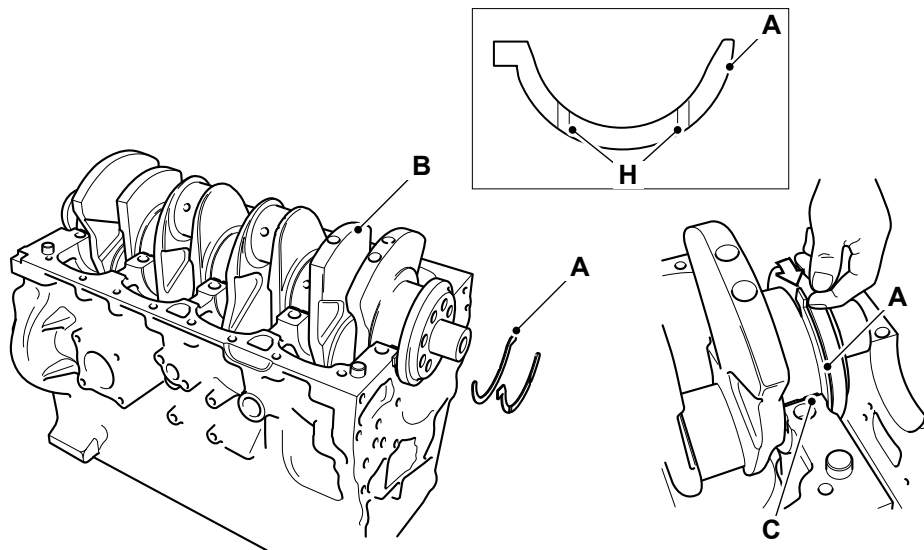
Figure 183.



- D** Main bearing shells
- G** Bearing location tab

- 4.1. Use a suitable degreasing agent to make sure that the surface of the upper bearing shells are clean.
[Consumable: Cleaner/Degreaser - General purpose solvent based parts cleaner](#)
- 4.2. Assemble the bearing shells into the crankcase bearing saddles. Make sure that the location tab engages into the slot as shown.
- 4.3. Important: Make sure that the oil-way holes in the bearing saddles align with the holes in the bearing shell. If the holes are even partially misaligned the piston cooling oil jet will be restricted, causing the engine to fail.
- 4.4. Lubricate the upper bearing shells with clean engine oil.
5. Use suitable lifting equipment (if the crankshaft is lifted manually, two people will be required), to carefully lower the crankshaft into the crankcase. DO NOT rotate the crankshaft, the bearing shells can become dislodged, refer to step 4.
6. Install the thrust washers as follows:

Figure 184.



A Thrust washers
C Rear main bearing

B Crankshaft
H Oil slot - thrust washers

- 6.1. Slide the thrust washers between the crankshaft and the crankcase rear main bearing.
 - 6.2. Make sure that they are installed in the correct positions, with the two slots facing outwards from the bearing saddle.
 - 6.3. If necessary, push the crankshaft forward and then backwards to obtain clearance to install the thrust washers.
 - 6.4. DO NOT rotate the crankshaft, the bearing shells can become dislodged, refer to step 4.
7. Check that the crankshaft end float is within service limits, refer to Technical Data (PIL 15-12).

Table 82. Torque Values

Item	Nm
F	24

Buy Now



Our support email:

ebooklibonline@outlook.com