

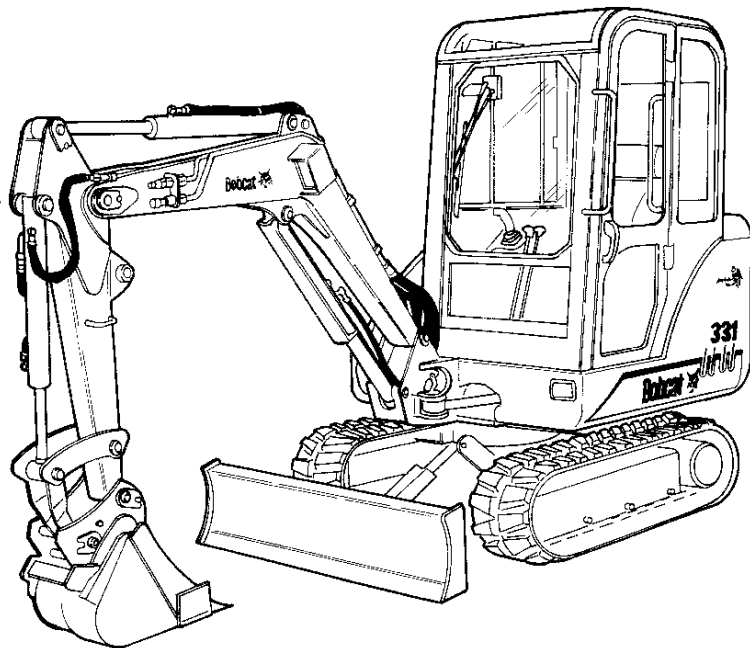
**331  
331E  
334**



**Bobcat®**

# **D-Series Parts Manual**

**331 (S/N 232511001 & Above)  
331E (S/N 232711001 & Above)  
334 (S/N 232611001 & Above)**



Printed in U.S.A.

6901252 (8-01) Revised (2-02)

© Bobcat Company 2002

## 331D/331ED/334D ALPHABETICAL INDEX

ADHESIVE .....	348
ALTERNATOR .....	188
ANTI-FREEZE .....	348
AUGER .....	238, 252
BEARING, SWING .....	44
BLOCK HEATER .....	260
BOOM SWING CYL. ....	174
BREAKER .....	302, 312
BREAKER MOUNTING KIT .....	262, 264
CAMSHAFT .....	213, 214
CYLINDER BLOCK .....	209
CYLINDER, BOOM SWING .....	174
DIPSTICK, ENG. OIL .....	206
ENGINE .....	192
FILTER, ENG. OIL .....	207
GASKET KIT, ENG. ....	192
GLOW PLUG .....	223
HEAD, CYLINDER .....	205
HYD/HYDRO FLUID .....	348
IDLER, FRONT .....	47
INJECTION NOZZLES .....	223, 224
KIT, BREAKER MOUNTING .....	262, 264
LUBRICANT .....	348
MANIFOLD .....	219
OIL .....	348
PAINT .....	348
PAN, OIL .....	206
PISTON, ENGINE .....	212
POLISH .....	348
PUMP, FUEL .....	221, 222
PUMP, INJECTION .....	221, 222
PUMP, OIL .....	210
PUMP, WATER .....	217
ROLLER, TRACK .....	48, 49
SEALANT .....	348
SPROCKET, TRACK .....	44
STARTER .....	190
SWING BEARING .....	44
SWING MOTOR .....	160
SWIVEL JOINT .....	146
THERMOSTAT .....	220
TRACK .....	52
TRACK ROLLER .....	48, 49
TRACK SPROCKET .....	44
VALVE COVER .....	203
VALVE, ENGINE .....	204

## 331D/331ED/334D CONTENTS

<b>MAIN FRAME</b> .....	<b>11-42</b>
UPPERSTRUCTURE .....	11-14
* UPPERSTRUCTURE LOCK .....	15-16
OPERATOR CAB .....	17-20
CAB .....	21-22
CANOPY .....	23-24
R.H. COVER .....	25-26
OPERATOR CAB, DOOR .....	27-28
OPERATOR CAB, FRONT WINDOW .....	29-30
TAILGATE .....	31
* TAILGATE .....	32
R.H. WINDOW .....	33-34
INSULATION .....	35-36
OPERATOR AREA .....	37-38
SEAT .....	39-42
<b>UNDERCARRIAGE</b> .....	<b>43-52</b>
UNDERCARRIAGE .....	43-44
RECOIL SPRING .....	45-46
FRONT IDLER .....	47
TRACK ROLLER .....	48-49
TRACKS .....	51-52
<b>WORK EQUIPMENT</b> .....	<b>53-66</b>
SWING FRAME .....	53-54
ARM & BUCKET LINK .....	55-56
EXTENDIBLE ARM & BUCKET LINK .....	57-60
X-CHANGE <sup>®</sup> .....	61-62
BOOM .....	63-64
BLADE .....	65-66
<b>CONTROL CONSOLE</b> .....	<b>67-80</b>
R.H. CONSOLE .....	67-68
L.H. CONSOLE .....	69-72
CONTROLS .....	73-74
THROTTLE CONTROL .....	75
CONTROLS, BOOM SWING .....	77-78
CONTROLS, TRAVEL .....	79-80
<b>HYDRAULIC CIRCUITRY</b> .....	<b>81-176</b>
HYDRAULIC CIRCUITRY .....	81-88
SELECTOR VALVE ASSY .....	89
HYDRAULIC CIRCUITRY .....	91-112
MANIFOLD ASSY. ....	113-114
* MANIFOLD ASSY. ....	115-116
HYDRAULIC CIRCUITRY .....	117-118
HYDRAULIC CONTROL VALVE .....	119-120
CONTROL VALVE .....	121-122
VALVE SECTION .....	123-142
* HYDRAULIC CONTROL VALVE .....	143-144
SWIVEL JOINT .....	145-146
R.H. JOYSTICK .....	147
* R.H. JOYSTICK .....	148
L.H. JOYSTICK .....	149
* L.H. JOYSTICK .....	150
TRAVEL MOTORS .....	151-154
MOUNT ASSY. ....	155-156
CROSSPORT RELIEF VALVE .....	157
SWING MOTOR .....	159-160
ARM CYLINDER .....	161-164
EXTENDABLE ARM CYLINDER .....	165-166
BLADE CYLINDER .....	167-168
BOOM CYLINDER .....	169-170
BUCKET CYLINDER .....	171-172
SWING CYLINDER .....	173-174
CLAMP CYLINDER .....	175-176
<b>ELECTRICAL</b> .....	<b>177-190</b>
* CAB ELECTRICAL .....	177-178
ELECTRICAL .....	179-186
ALTERNATOR .....	187-188
STARTER .....	189-190

## 331D/331ED/334D CONTENTS (Cont'd)

<b>POWER UNIT</b> .....	<b>191-230</b>
ENGINE & GASKET KITS .....	191-192
ENGINE & ATTACHING PARTS .....	193-202
ROCKER ARM COVER .....	203
VALVE ROCKER ARM .....	204
CYLINDER HEAD .....	205
OIL PAN .....	206
GEARCASE .....	207-208
CRANKCASE .....	209-210
PISTON & CRANKSHAFT .....	211-212
CAMSHAFT .....	213
FUEL CAMSHAFT .....	214
GOVERNOR .....	215
SPEED CONTROL PLATE .....	216
WATER PUMP .....	217
ENGINE STOP LEVER .....	218
MANIFOLDS .....	219
WATER FLANGE & THERMOSTAT .....	220
INJECTION PUMP .....	221-222
INJECTOR NOZZLES .....	223
INJECTOR HOLDER .....	224
FUEL SYSTEM .....	225-228
AIR CLEATNER .....	230
<b>ACCESSORIES &amp; OPTIONS</b> .....	<b>233-388</b>
AIR CONDITIONING UPGRADE KIT .....	233-234
AIR CONDITIONER .....	235-236
AUGER .....	237-250
AUGER MOUNTING KIT .....	251-252
AUGER - HYDRAULIC MOTOR .....	253-258
BLOCK HEATER .....	260
BREAKER MOUNTING KIT .....	261-264
BREAKER MOUNTING PACK .....	265
BUCKET TEETH .....	266
CAB LIGHT KIT .....	267-268
CANOPY ENCLOSURE KIT .....	269-272
CHARGE KIT .....	273
CLAMP .....	275-276
COMPACTOR .....	277-278
COUNTERWEIGHT KIT .....	279
DECALS .....	281-284
DIRECT TO TANK KIT .....	285-286
EXTENDIBLE ARM KIT .....	287-288
HEATER BOX .....	289-290
* HEATER/AIR CONDITIONING BOX .....	291-292
* HEATER INSTALLATION .....	293-294
HEATER KIT .....	295-296
HYDRA-TILT .....	297-298
HYDRA-TILT CYLINDER .....	299
HYDRAULIC BREAKER .....	301-308
HYDRAULIC BREAKER TOOLS .....	310
HYDRAULIC BREAKER .....	311-318
KEYLESS IGNITION KIT .....	319
LONG ARM KIT .....	320
MOTION ALARM KIT .....	321
POWERTILT .....	322-324
PURIFIER .....	325
RIPPER .....	326
SPECIAL APPLICATIONS CAB KIT .....	327-328
SPECIAL APPLICATIONS CANOPY KIT .....	329-330
* STEEL TRACK KIT .....	332
TOP GUARD KIT .....	333
VINYL CAB ENCLOSURE KIT .....	334
WIDE LINK KIT .....	336
X-CHANGE® .....	337-340
X-CHANGE® BREAKER MOUNTING KIT .....	341-342
X-CHANGE® MOUNTED .....	343-344
X-CHANGE® MOUNTED ONLY .....	346
BULK ITEMS .....	347-348
<b>NUMERICAL INDEX</b> .....	<b>349-402</b>
NUMERICAL INDEX .....	349-402

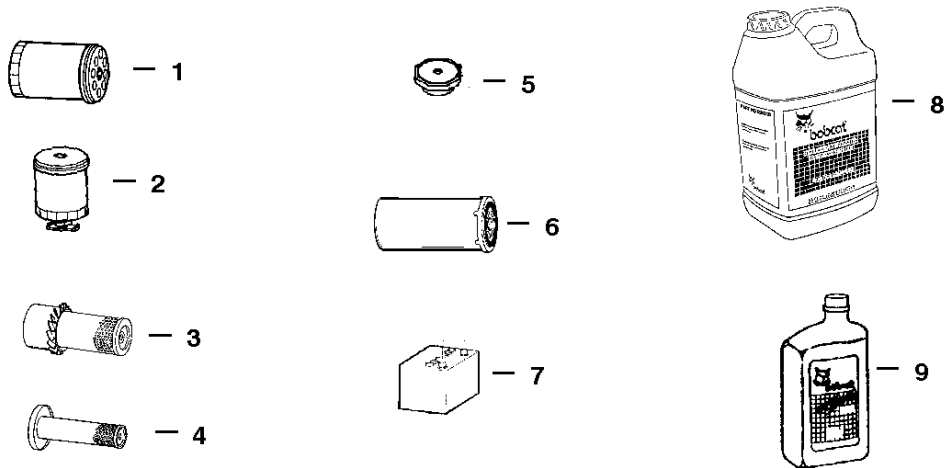
## 331D/331ED/334D CONTENTS

<b>MAIN FRAME</b> .....	<b>11-42</b>
UPPERSTRUCTURE .....	11-14
* UPPERSTRUCTURE LOCK .....	15-16
OPERATOR CAB .....	17-20
CAB .....	21-22
CANOPY .....	23-24
R.H. COVER .....	25-26
OPERATOR CAB, DOOR .....	27-28
OPERATOR CAB, FRONT WINDOW .....	29-30
TAILGATE .....	31
* TAILGATE .....	32
R.H. WINDOW .....	33-34
INSULATION .....	35-36
OPERATOR AREA .....	37-38
SEAT .....	39-42
<b>UNDERCARRIAGE</b> .....	<b>43-52</b>
UNDERCARRIAGE .....	43-44
RECOIL SPRING .....	45-46
FRONT IDLER .....	47
TRACK ROLLER .....	48-49
TRACKS .....	51-52
<b>WORK EQUIPMENT</b> .....	<b>53-66</b>
SWING FRAME .....	53-54
ARM & BUCKET LINK .....	55-56
EXTENDIBLE ARM & BUCKET LINK .....	57-60
X-CHANGE® .....	61-62
BOOM .....	63-64
BLADE .....	65-66
<b>CONTROL CONSOLE</b> .....	<b>67-80</b>
R.H. CONSOLE .....	67-68
L.H. CONSOLE .....	69-72
CONTROLS .....	73-74
THROTTLE CONTROL .....	75
CONTROLS, BOOM SWING .....	77-78
CONTROLS, TRAVEL .....	79-80
<b>HYDRAULIC CIRCUITRY</b> .....	<b>81-176</b>
HYDRAULIC CIRCUITRY .....	81-88
SELECTOR VALVE ASSY .....	89
HYDRAULIC CIRCUITRY .....	91-112
MANIFOLD ASSY. ....	113-114
* MANIFOLD ASSY. ....	115-116
HYDRAULIC CIRCUITRY .....	117-118
HYDRAULIC CONTROL VALVE .....	119-120
CONTROL VALVE .....	121-122
VALVE SECTION .....	123-142
* HYDRAULIC CONTROL VALVE .....	143-144
SWIVEL JOINT .....	145-146
R.H. JOYSTICK .....	147
* R.H. JOYSTICK .....	148
L.H. JOYSTICK .....	149
* L.H. JOYSTICK .....	150
TRAVEL MOTORS .....	151-154
MOUNT ASSY. ....	155-156
CROSSPORT RELIEF VALVE .....	157
SWING MOTOR .....	159-160
ARM CYLINDER .....	161-164
EXTENDABLE ARM CYLINDER .....	165-166
BLADE CYLINDER .....	167-168
BOOM CYLINDER .....	169-170
BUCKET CYLINDER .....	171-172
SWING CYLINDER .....	173-174
CLAMP CYLINDER .....	175-176
<b>ELECTRICAL</b> .....	<b>177-190</b>
* CAB ELECTRICAL .....	177-178
ELECTRICAL .....	179-186
ALTERNATOR .....	187-188
STARTER .....	189-190

## 331D/331ED/334D CONTENTS (Cont'd)

<b>POWER UNIT</b> .....	<b>191-230</b>
ENGINE & GASKET KITS .....	191-192
ENGINE & ATTACHING PARTS .....	193-202
ROCKER ARM COVER .....	203
VALVE ROCKER ARM .....	204
CYLINDER HEAD .....	205
OIL PAN .....	206
GEARCASE .....	207-208
CRANKCASE .....	209-210
PISTON & CRANKSHAFT .....	211-212
CAMSHAFT .....	213
FUEL CAMSHAFT .....	214
GOVERNOR .....	215
SPEED CONTROL PLATE .....	216
WATER PUMP .....	217
ENGINE STOP LEVER .....	218
MANIFOLDS .....	219
WATER FLANGE & THERMOSTAT .....	220
INJECTION PUMP .....	221-222
INJECTOR NOZZLES .....	223
INJECTOR HOLDER .....	224
FUEL SYSTEM .....	225-228
AIR CLEATNER .....	230
<b>ACCESSORIES &amp; OPTIONS</b> .....	<b>233-388</b>
AIR CONDITIONING UPGRADE KIT .....	233-234
AIR CONDITIONER .....	235-236
AUGER .....	237-250
AUGER MOUNTING KIT .....	251-252
AUGER - HYDRAULIC MOTOR .....	253-258
BLOCK HEATER .....	260
BREAKER MOUNTING KIT .....	261-264
BREAKER MOUNTING PACK .....	265
BUCKET TEETH .....	266
CAB LIGHT KIT .....	267-268
CANOPY ENCLOSURE KIT .....	269-272
CHARGE KIT .....	273
CLAMP .....	275-276
COMPACTOR .....	277-278
COUNTERWEIGHT KIT .....	279
DECALS .....	281-284
DIRECT TO TANK KIT .....	285-286
EXTENDIBLE ARM KIT .....	287-288
HEATER BOX .....	289-290
* HEATER/AIR CONDITIONING BOX .....	291-292
* HEATER INSTALLATION .....	293-294
HEATER KIT .....	295-296
HYDRA-TILT .....	297-298
HYDRA-TILT CYLINDER .....	299
HYDRAULIC BREAKER .....	301-308
HYDRAULIC BREAKER TOOLS .....	310
HYDRAULIC BREAKER .....	311-318
KEYLESS IGNITION KIT .....	319
LONG ARM KIT .....	320
MOTION ALARM KIT .....	321
POWERTILT .....	322-324
PURIFIER .....	325
RIPPER .....	326
SPECIAL APPLICATIONS CAB KIT .....	327-328
SPECIAL APPLICATIONS CANOPY KIT .....	329-330
* STEEL TRACK KIT .....	332
TOP GUARD KIT .....	333
VINYL CAB ENCLOSURE KIT .....	334
WIDE LINK KIT .....	336
X-CHANGE® .....	337-340
X-CHANGE® BREAKER MOUNTING KIT .....	341-342
X-CHANGE® MOUNTED .....	343-344
X-CHANGE® MOUNTED ONLY .....	346
BULK ITEMS .....	347-348
<b>NUMERICAL INDEX</b> .....	<b>349-402</b>
NUMERICAL INDEX .....	349-402

**MAINTENANCE ITEMS  
MODEL 331D/331E/334D**



Ref.	Part Number	Description	Remarks	Page
1	6675517	ENGINE OIL FILTER .....		207
2	6667352	FUEL FILTER .....		225
3	6666333	AIR CLEANER (Primary) .....		191
4	6666334	AIR CLEANER (Secondary) .....		191
5	3974310	RADIATOR CAP ..		197
6	6660728	HYDRAULIC FILTER .....		91
	6661248	HYDRAULIC FILTER .....		347
7	6670251	BATTERY .....		347
8	6563328	HYDRUALIC/HYDROSTATIC FLUID 2-2 1/2 Gallon (5 Gal.) .....		347
	6722344	HYDRAULIC/HYDROSTATIC FLUID 5 Gallon .....		347
	6563330	HYDRAULIC/HYDROSTATIC FLUID 55 Gallon Drum .....		347
		( HYDRAULIC -RESERVOIR CAPACITY ) .....	10.5 GALS. (40 L)	
9	6657299	MOTOR OIL	15W40 CE/SG -1 Qt. ....	347
	6724558	MOTOR OIL	15W40 CE/SG -1 Gallon .....	347
	6674204	MOTOR OIL	15W40 CE/SG - 2.5 Gallon. ....	347
	6657301	MOTOR OIL	10W30 CE/SG -1 Qt. ....	347
	6724557	MOTOR OIL	10W30 CE/SG -1 Gallon .....	347
	6674205	MOTOR OIL	10W30 CE/SG - 2.5 Gallon .....	347
	6657303	MOTOR OIL	30 CE/SG -1 Qt. ....	347
	6724559	MOTOR OIL	30 CE/SG -1 Gallon .....	347
	6674206	MOTOR OIL	30 CE/SG -2.5 Gallon .....	347
		( ENGINE OIL W/FILTER CAPACITY ) .....	7.5 QTS. (7,1 L)	

# GENERAL INFORMATION

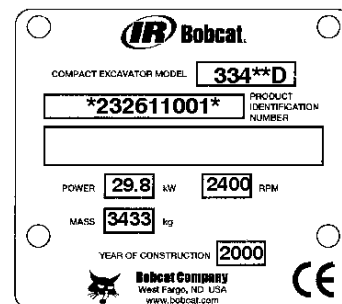
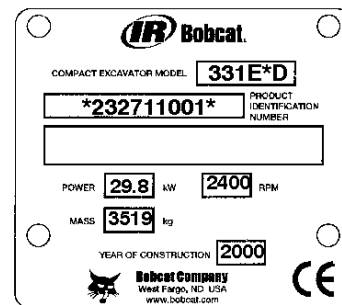
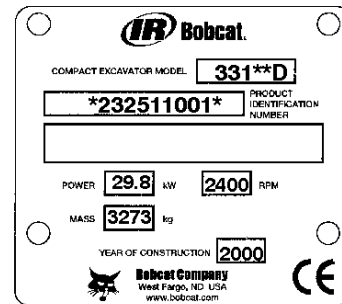
When using the machine serial number, use the complete number.

Some Serial Number breaks are not available at time of printing. These are listed as & Below or & Above.

The number shown in the quantity column in this manual is the number of parts needed for the illustration on the page. For some parts an "x" will be shown in the quantity column. This "x" indicates that the quantity to be used is "As Needed".

When references L.H. and R.H. are used in this manual, it is done from the operator's seat in the forward operating position.

Some of the illustrations and information found in this parts manual were supplied to Bobcat by machine component companies.



## ABBREVIATIONS & SYMBOLS

**SALES** = Order from Gwinner Sales Department

**NSS** = Not Serviced Separately

**NAP** = Not Available as Parts

**\*** = Changed or Added Sections, Pages or Part Numbers

### Disposition Code Definition (Found in the Remarks Column)

**[A]** = Use Up

**[B]** = Use Up on Other Application (See PNI)

**[C]** = File PDR Report With Bobcat Parts Sales

**[D]** = Part Number Error

Explicaciones en francas	Grid Nb	3
Erklärungen auf deutsch	Grid Nb	4
Spiegazioni in italiano	Grid Nb	5
Explicaciones en espanol	Grid Nb	6
Verklaring in het Nederlands	Grid Nb	7



# NOTE D'INFORMATION

Pour toute référence au numéro de série de l'engin, toujours donner le numéro complet.

Le chiffré apparaissant dans la colonne des quantités de ce manuel représentent le nombre de pièces nécessaires pour l'illustration reprise sur la page. Dans certains cas, on lira un "x" dans la colonne des quantités. Cet "x" indique que la quantité nécessaire est "selon besoin".

Pour toute référence vers la GAUCHE ou la DROITE dans ce manuel, considérer que la personne se trouve assise dans le siège de l'opérateur, en position de fonctionnement en marche avant.

Certaines illustrations et informations reprises dans ce manuel de pièces de rechange ont été fournies à Bobcat, par des fabricants de composants.

## ABREVIATIONS & SYMBOLES

<b>SALES</b>	= Commander au Service Ventes à Bruxelles
<b>NSS</b>	= Pas vendu séparément
<b>NAP</b>	= Non disponible comme pièce de rechange
<b>*</b>	= Chapitre, page ou numéro de pièce modifié ou supplémentaire
<b>BTI</b>	= Bobcat Technical Information Bulletin : voir à la fin de la microfiché du modèle concerné ou la microfiche générale reprenant l'ensemble des "BTI".
<b>was 6535403</b>	= était avant 6535403
<b>adj. (adjustment)</b>	= réglage
<b>Assembly</b>	= ensemble
<b>available W/Ref.</b>	= disponible avec réf.
<b>bulk/sold per foot</b>	= en vrac/vendu par pied
<b>does not include</b>	= ne comprend pas
<b>included with</b>	= compris dans
<b>I.D.</b>	= D.I. (diamètre intérieur)
<b>O.D.</b>	= D.E. (diamètre extérieur)
<b>not in kit</b>	= pas en kit
<b>W/ - WO/</b>	= inclus/ - non inclus/
<b>Qty</b>	= quantité requise
<b>see page/ref.</b>	= voir page/réf.
<b>used with ref/</b>	= utilisé avec réf.
<b>0,05 inch thickness</b>	= 0,05 pouce d'épaisseur (un pouce = 25.4 mm)
<b>weld on</b>	= à souder

# ALLGEMEINE INFORMATIONEN

Bei Angabe der Maschinen-Seriennummer stets die komplette Nummer angeben.

Bei der in der Mengenspalte (Anzahl) in diesem Handbuch angegebenen Zahl handelt es sich um die Anzahl von Teilen, die für die Abbildung auf der betreffenden Seite benötigt werden. Bei manchen Teilen in der Mengenspalte ist ein "x" angegeben. Dieses "x" weist darauf hin, dass sich die Anzahl der verwendeten Teile auf den "Bedarf" bezieht.

Bei Verwendung der Seitenangaben links und rechts in diesem Handbuch gelten diese für die Blickrichtung vom Fahrersitz aus, und zwar in Vorwärts-Betriebsrichtung.

Einige der in diesem Ersatzteilhandbuch aufgeführten Abbildungen und Informationen wurden der Bobcat, von den Herstellern von Maschinenbauteilen zur Verfügung gestellt.

## ABKÜRZUNGEN UND SYMBOLE

<b>SALES</b>	= Bestellung bei der Verkaufsabteilung in Brüssel
<b>NSS</b>	= Nicht einzeln erhältlich
<b>NAP</b>	= Nicht als Ersatzteil erhältlich
<b>*</b>	= Geänderte oder hinzugefügte Abschnitte, Seiten oder Teilenummern
<b>BTI</b>	= Bobcat Technical Information Bulletin : Siehe am Ende der Mikrokarte des jeweiligen Modells oder der allgemeinen Mikrokarte der BTI.
<b>was 6535403</b>	= War 6535403
<b>adj.</b>	= Einstellung
<b>Assembly</b>	= Baugruppe
<b>available W/Ref.</b>	= erhältlich mit der Referenz
<b>bulk/sold per foot</b>	= Mengenabnahme / Verkauf pro Fuss
<b>does not include</b>	= beinhaltet nicht
<b>included with</b>	= enthalten in
<b>I.D.</b>	= Innendurchmesser
<b>O.D.</b>	= Aussendurchmesser
<b>not in kit</b>	= nicht in Bausatz
<b>W/ - WO/</b>	= mit/ - ohne/
<b>Qty</b>	= Anzahl
<b>see page/ref.</b>	= Siehe Seite / Referenz
<b>used with ref.</b>	= verwendet mit Referenz
<b>0.05 inch thickness</b>	= Dicke : 0.05 Zoll (ein Zoll = 25.4 mm)
<b>weld on</b>	= anschweißen

# INFORMAZIONI GENERALI

Quando si usa il numero di serie della macchina usare il numero completo.

Il numero mostrato nella colonna della quantità di questo manuale corrisponde al numero di componenti necessari per l'illustrazione della pagina. Per alcuni componenti appare "X" nella colonna delle quantità. Questa "X" indica che la quantità da usare è "come necessario".

See in questo manuale si fa riferimento alla parte destra o sinistra, si intende dal sedile dell'operatore nella posizione in avanti di funzionamento.

Alcune delle illustrazioni e informazioni trovate in questo manuale di componenti sono state fornite alla Bobcat, da società di componenti di macchine.

## SIMBOLI E ABBREVIAZIONI

<b>SALES</b>	= Ordinare al servizio vendite di Bruxelles
<b>NSS</b>	= Non vendute separatamente
<b>NAP</b>	= Non disponibile come componente
<b>*</b>	= Sezioni, pagine o numeri di componente cambiati o aggiunti
<b>BTI</b>	= (Bobcat Technical information) Ved. al termine del microfiche del modello relativo oppure microfiche generale
<b>was 6535403</b>	= era 6535403
<b>adj. (adjustment)</b>	= regol. (regolazione)
<b>Assembly</b>	= Complessivo
<b>available W/ref.</b>	= disponibile con rif.
<b>bulk/sold per foot</b>	= alla rinfusa/venduto al piede
<b>does not include</b>	= non comprende
<b>Included with</b>	= compreso con
<b>I.D.</b>	= d. i.
<b>O.D.</b>	= d. e.
<b>not in kit</b>	= non fa parte del kit
<b>W/ - WO/</b>	= con - senza
<b>Qty</b>	= Qtà
<b>see page/ref</b>	= ved. pagina/rif.
<b>used with ref.</b>	= usato con il rif.
<b>0,05 inch thickness</b>	= spessore 0,05 pollici (un pollice = 25,4 mm)
<b>weld on</b>	= a saldare

# INFORMACION GENERAL

Al utilizar el número de serie de la máquina, debe emplearse el número completo.

El número que figura en la columna de "Unidades" en este manual es el número de piezas que se necesitan para la ilustración que consta en la página. En algunas piezas aparece una "x" en la columna de "Unidades". Esta "x" indica que las unidades a utilizar son "según sea necesario".

Cuando se empleen las referencias izq. y dcha., éstas se entienden mirando desde el asiento del conductor, en posición de marcha adelante.

Algunas de las ilustraciones y la información que figuran en este manual de piezas han sido facilitadas a Bobcat, por empresas de componentes de máquinas.

## ABREVIATURAS Y SIMBOLOS

<b>VENTAS</b>	= Pedido al Departamento de Ventas de Bruselas
<b>NSS</b>	= No se vende por separado
<b>NAP</b>	= No disponible como pieza de repuesto
<b>*</b>	= Secciones, páginas o referencias modificadas o añadidas
<b>BTI</b>	= (Bobcat Technical Information) Ver al final de la microficha del modelo afectado o en la microficha general "Boletín de Información Técnica Bobcat".
<b>was 6535403</b>	= era anteriormente el 6535403
<b>adj. (adjustment)</b>	= ajuste
<b>assembly</b>	= conjunto
<b>available W/Ref.</b>	= disponible con la ref.
<b>bulk/sold per foot</b>	= a granel/vendido por pies
<b>does not include</b>	= no incluye
<b>included with</b>	= incluido en
<b>I.D.</b>	= diámetro interior
<b>O.D.</b>	= diámetro exterior
<b>not in kit</b>	= no en el kit
<b>W/ - WO/</b>	= con/ - sin
<b>Qty</b>	= Unidades
<b>see page /ref.</b>	= ver página/ref.
<b>used with ref.</b>	= empleado con la ref.
<b>0,05 inch thickness</b>	= 0,05 pulgadas de espesor (1 pulgada = 25,4 mm)
<b>weld on</b>	= debe ser soldado

# ALGEMENE INFORMATIE

Als u het serienummer van de machine gebruikt, geef dan het gehele serienummer.

Het cijfer dat voorkomt in de kolom "Aantal", in deze handleiding, is het aantal onderdelen dat nodig is van de illustratie op de pagina. Voor sommige onderdelen staat er een "x" in de kolom "Aantal". Deze "x" betekent dat er een aantal "zoals nodig" vereist is.

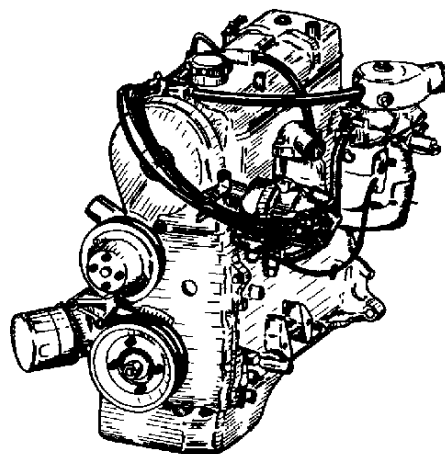
Wanneer er in deze handleiding naar "links" en naar "rechts" gerefereerd wordt, moet dit verstaan worden voor een bestuurder die in de bestuurdersstoel zit in de voorwaartse bedrijfsstand.

Sommige van de illustraties en informatie in deze onderdelen-handleiding werden door firma's van machine-componenten geleverd aan Bobcat.

## AFKORTINGEN EN SYMBOLEN

<b>SALES</b>	= Bestellen bij de Verkoopafdeling te Brussel
<b>NSS</b>	= Niet afzonderlijk te verkrijgen
<b>NAP</b>	= Niet beschikbaar als onderdeel
<b>*</b>	= Gewijzigde of toegevoegde paragrafen, pagina's of onderdeelnummers
<b>BTI</b>	= Bobcat Technical Information Bulletin : Zie einde van de microfiche van het desbetreffende model of einde van de algemene microfiche die het geheel van alle "BTI" herneemt.
<b>was 6535403</b>	= was vroeger 6535403
<b>adj. (adjustment)</b>	= afstelling
<b>Assembly</b>	= geheel
<b>available W/Ref.</b>	= beschikbaar met ref.
<b>bulk/sold per foot</b>	= bulk/aan de meter verkocht
<b>does not include</b>	= bevat niet
<b>includes with</b>	= is bevat in
<b>I.D.</b>	= $\phi$ inw. (inwendige diameter)
<b>O.D.</b>	= $\phi$ uitw. (uitwendige diameter)
<b>not in kit</b>	= niet in de kit
<b>W/ - WO/</b>	= met/ - zonder/
<b>Qty</b>	= vereiste aantal
<b>see page/ref.</b>	= zie pagina/ref.
<b>used with ref/</b>	= gebruikt met ref.
<b>0,05 inch thickness</b>	= 0.05 inch dik (een inch = 25.4 mm)
<b>weld on</b>	= te lassen

**Both new and rebuilt engines are available from Bobcat.**



**Available from Bobcat Parts.**



**Buy Now**



Our support email:

[ebooklibonline@outlook.com](mailto:ebooklibonline@outlook.com)