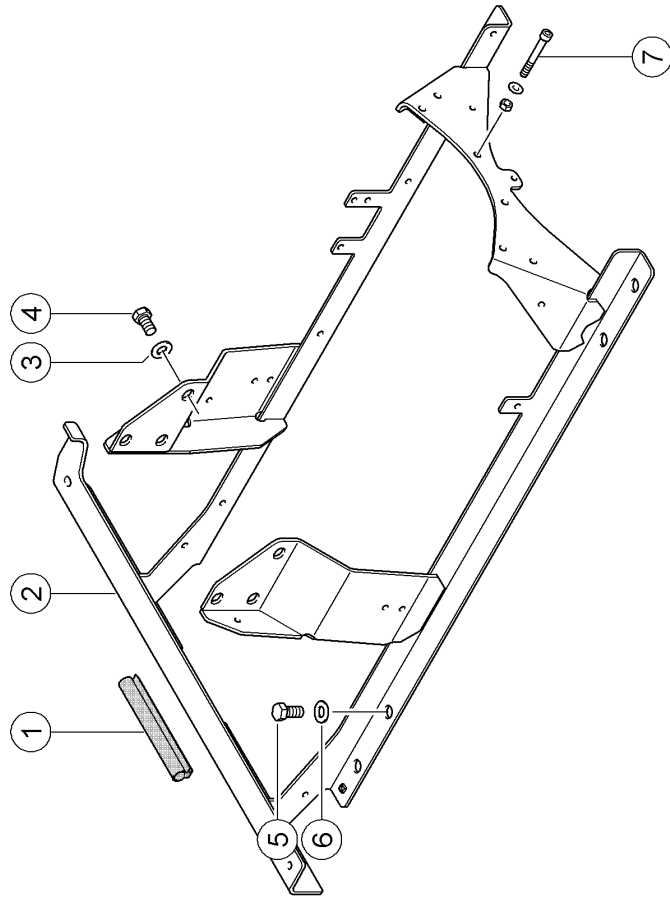


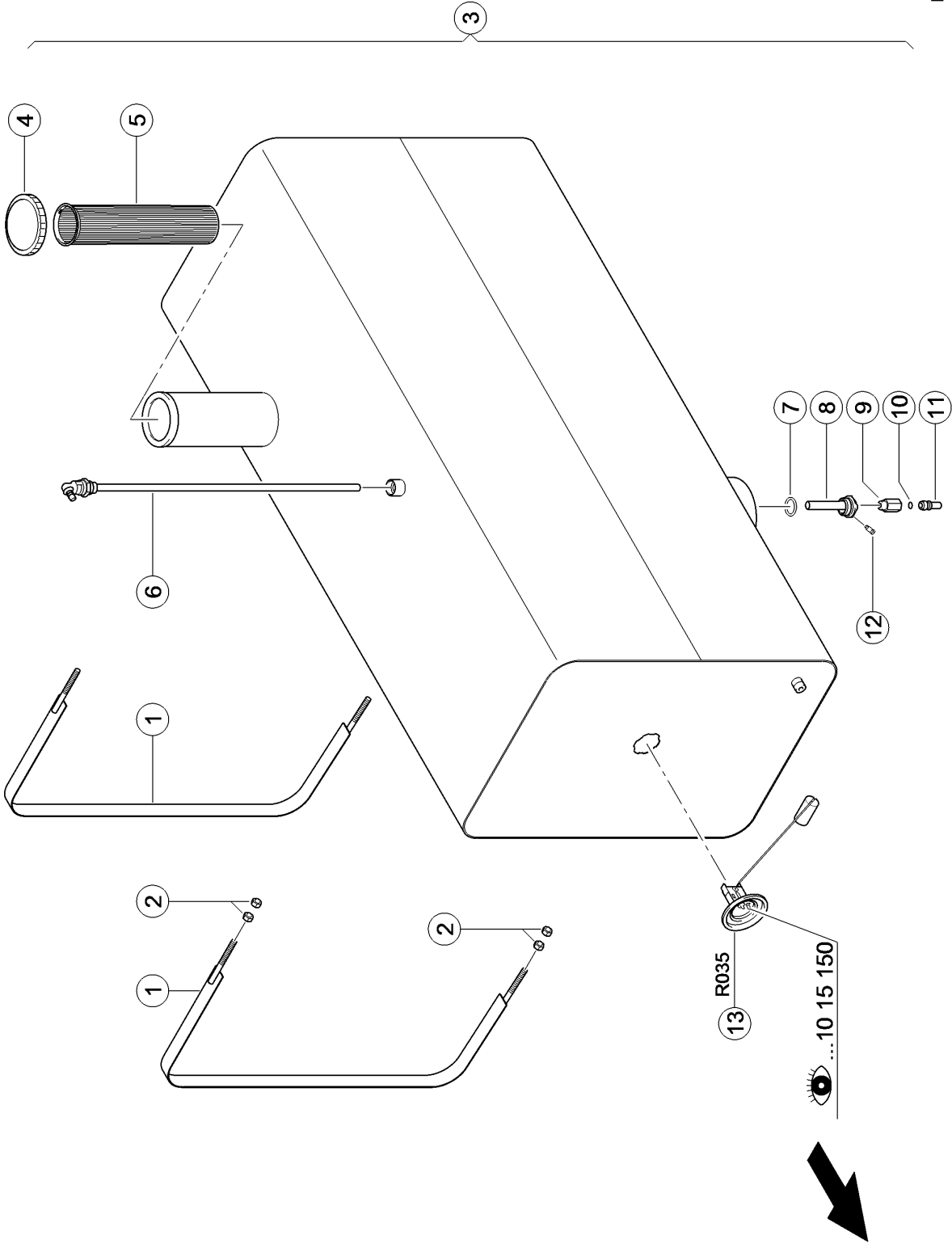
E0127 0105A100A 1



100 ENGINE SUSPENSION

| Pos. | Part No. | Description | Dimension | Quantity | Conditions |
|-------------|----------------------|--------------------|--------------------|-----------------|-------------------|
| 1 | 00 0548 559 0 | SEALING PROFILE | 10M FIXLAENGE | 1 | 1) |
| 2 | 00 0530 093 2 | ENGINE MOUNTING | | 1 | |
| 3 | 00 0239 391 0 | CONTACT WASHER | A16 | 6 | |
| 4 | 00 0237 376 0 | HEXAGON HEAD BOLT | M16X30 | 6 | |
| 5 | 00 0236 230 0 | HEXAGON HEAD BOLT | M16X35 | 8 | |
| 6 | 00 0239 391 0 | CONTACT WASHER | A16 | 8 | |
| 7 | 00 0242 247 0 | SOCKET HEAD SCREW | M10X 80 | 4 | |
| 7 | 00 0239 388 0 | CONTACT WASHER | A10-10,2X22,25X1,6 | 4 | |
| 7 | 00 0236 171 0 | HEXAGONAL NUT | M10 | 4 | |
| 1) | Remarks | 200 long | | | |

E0127 0125A100A 1

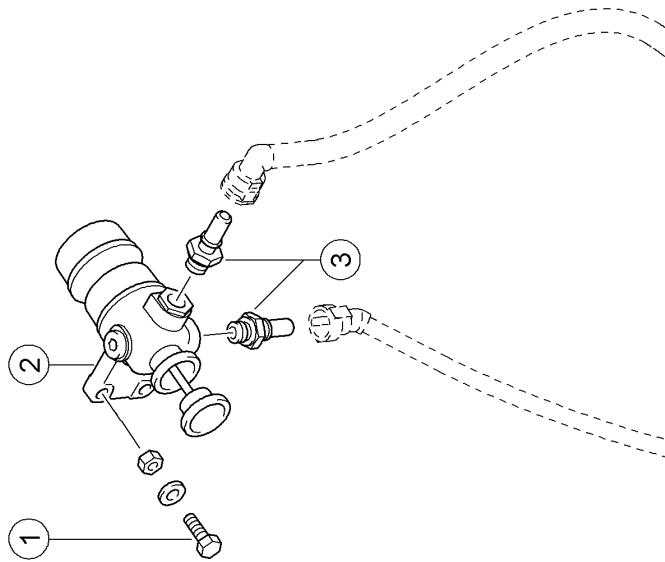


100 FUEL TANK

| Pos. | Part No. | Description | Dimension | Quantity | Conditions |
|------|----------------------|-------------------|-----------------------------|----------|------------|
| 1 | 00 0672 699 1 | BANDAGE | | 2 | |
| 2 | 00 0236 171 0 | HEXAGONAL NUT | M10 | 8 | |
| 3 | 00 0550 789 2 | FUEL TANK | | 1 | |
| 4 | 00 0624 003 1 | CAP | DV 80 GL | 1 | |
| 4 | 00 0177 621 0 | CAP | D80 BELUEFTET, ABSCHLIES | 1 | 1) |
| 5 | 00 0736 238 0 | TANK FILTER | | 1 | |
| 6 | 00 0550 778 0 | RETURN PIPE | | 1 | |
| 7 | 00 0215 958 1 | FLAT SEAL RING | 30X40X3 | 1 | |
| 8 | 00 0783 643 1 | PLUG | WASSER + G3/8" | 1 | |
| 9 | 00 0783 652 0 | BALL-TYPE TAP | DN8-I-G3/8XA-G3/8 | 1 | |
| 10 | 00 0216 366 0 | O-RING | 10,50X1,5 NBR80 | 1 | |
| 11 | 00 0783 644 1 | ADAPTOR | G3/8"- 1/2" SAE J 2044 | 1 | |
| 12 | 00 0687 625 1 | HEXAGON HEAD BOLT | M8X17 F. TANK WASSERABLA | 1 | |
| 13 | 00 0681 855 0 | LEVEL INDICATOR | | 1 | 2) |
| 13 | 00 1811 800 0 | LEVEL INDICATOR | RADIUS 534MM | 1 | 3) |

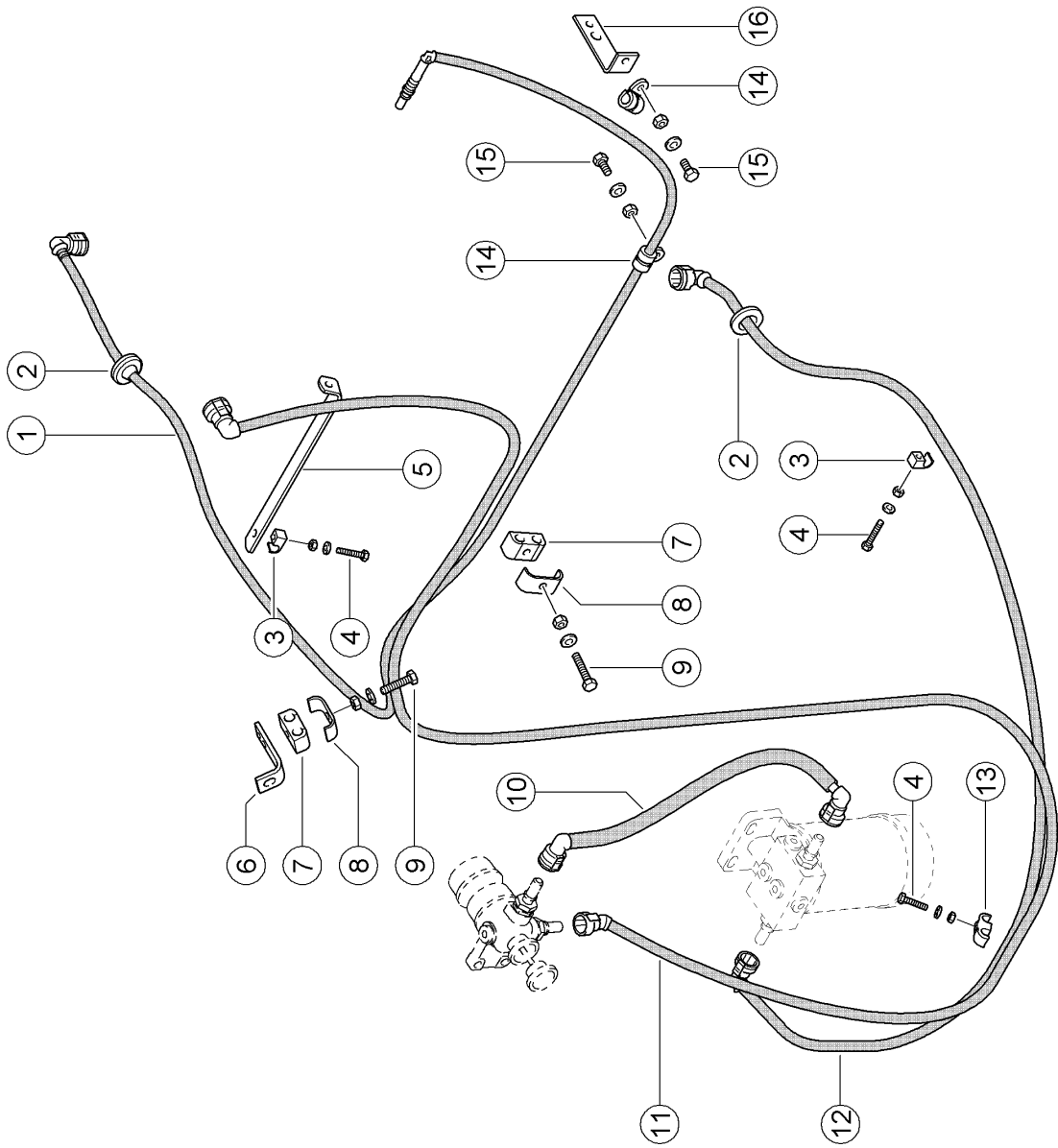
| | | |
|-----------|----------------------------|--|
| 1) | Remarks | LOCKING |
| 2) | machine no. CCN | + up to 45100705 |
| | CCN-R035 | fuel level current value potentiometer |
| 3) | machine no. CCN | + from 45100706 |
| | CCN-R035 | fuel level current value potentiometer |

E0127 0125A120A 1



120 FUEL DELIVERY PUMP

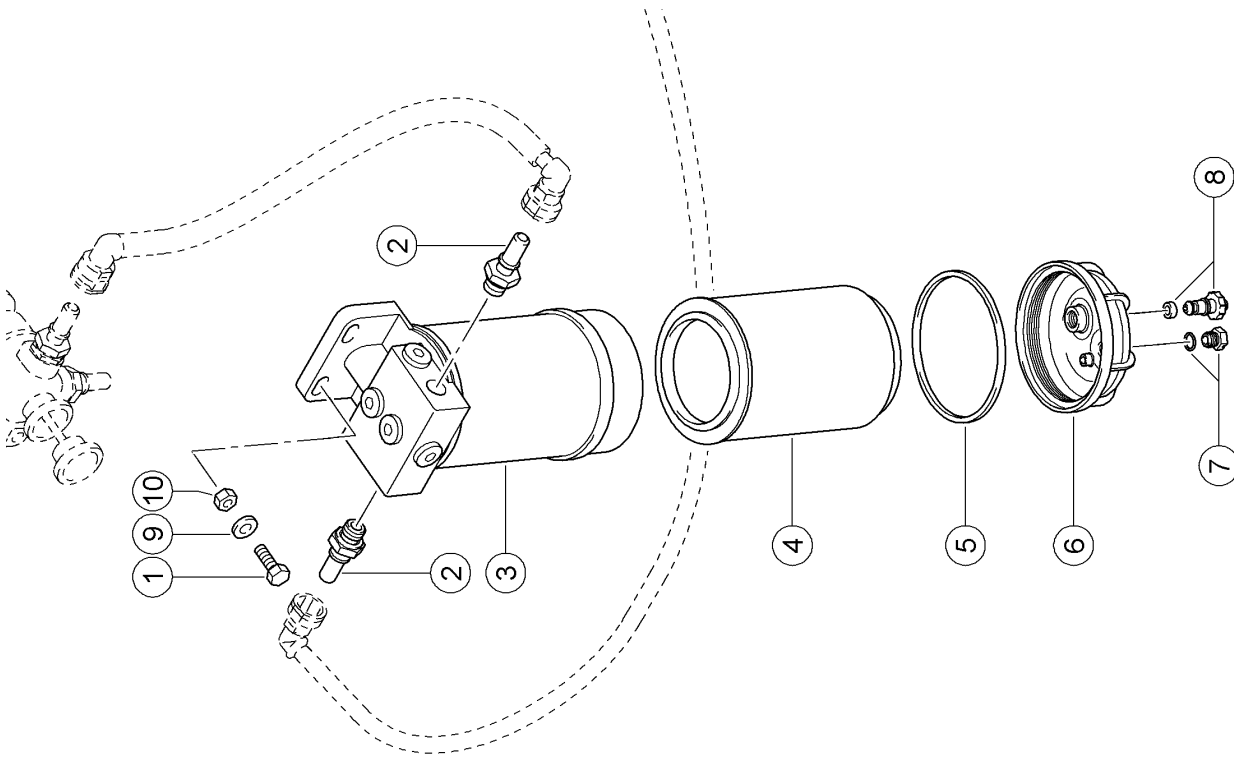
| Pos. | Part No. | Description | Dimension | Quantity | Conditions |
|-------------|----------------------|--------------------|-----------------------------|-----------------|-------------------|
| 1 | 00 0236 200 0 | HEXAGON HEAD BOLT | M8X20 | 2 | |
| 1 | 00 0239 387 0 | CONTACT WASHER | A8-8,2X18X1,4 | 2 | |
| 1 | 00 0236 170 0 | HEXAGONAL NUT | M8 | 2 | |
| 2 | 00 0068 665 0 | HAND PUMP | H11K06 M16X1,5 | 1 | |
| 2 | 00 0077 446 0 | SEALING RING | F. H11 K02 | 1 | |
| 2 | 00 0077 447 0 | INSPECTION GLASS | | 1 | |
| 3 | 00 0798 664 0 | ADAPTER | M16X1,5 / 1/2" SAE J 204 | 2 | |



140 FUEL PIPES

| Pos. | Part No. | Description | Dimension | Quantity | Conditions |
|-------------|----------------------|--------------------|---|-----------------|-------------------|
| 1 | 00 0530 075 1 | FUEL PIPE | MOTOR-TANK 11X1,5 | 1 | |
| 2 | 00 0215 409 0 | GROMMET | C 10-18X30X1,5 | 2 | |
| 3 | 00 0216 117 0 | CLAMP | A 10 | 2 | |
| 4 | 00 0242 442 0 | HEXAGON HEAD BOLT | M 6X30 | 3 | |
| 4 | 00 0239 386 0 | CONTACT WASHER | A 6 | 3 | |
| 4 | 00 0236 169 0 | HEXAGONAL NUT | M6 | 3 | |
| 5 | 00 0723 910 1 | SUPPORT | 4X25X298 | 1 | |
| 6 | 00 0625 072 1 | SUPPORT | 25X5X107 | 1 | |
| 7 | 00 0697 807 0 | RUBBER BEARING | 12/12 | 2 | |
| 8 | 00 0683 254 0 | CLAMP BRACKET | 2X18X25X3 | 2 | |
| 9 | 00 0238 125 0 | HEXAGON HEAD BOLT | M8X40 | 2 | |
| 9 | 00 0239 387 0 | CONTACT WASHER | A8-8,2X18X1,4 | 2 | |
| 9 | 00 0236 170 0 | HEXAGONAL NUT | M8 | 2 | |
| 10 | 00 0798 884 1 | FUEL PIPE | DC | 1 | |
| 11 | 00 0530 074 0 | FUEL PIPE | FILTER-HANDPUMPE HANDP-MOT 12,5X1, 25 | 1 | |
| 12 | 00 0530 076 2 | FUEL PIPE | | 1 | |
| 13 | 00 0723 501 0 | DOUBLE CLAMP | B 12 | 1 | |
| 14 | 00 0216 341 0 | HOLDER CLAMP | D1-12X20 | 2 | |
| 15 | 00 0236 200 0 | HEXAGON HEAD BOLT | M8X20 | 2 | |
| 15 | 00 0239 387 0 | CONTACT WASHER | A8-8,2X18X1,4 | 2 | |
| 15 | 00 0236 170 0 | HEXAGONAL NUT | M8 | 2 | |
| 16 | 00 0725 790 0 | ANGLE | 4X30X128 | 1 | |

E0127 0125A160A 1



160 FUEL FILTER

| Pos. | Part No. | Description | Dimension | Quantity | Conditions |
|------|----------------------|-------------------|-----------------------------|----------|------------|
| 1 | 00 0237 442 0 | HEXAGON HEAD BOLT | M8X25 | 2 | 1) |
| 2 | 00 0798 664 0 | ADAPTER | M16X1,5 / 1/2" SAE J 204 | 2 | 1) |
| 3 | 00 0796 211 0 | FUEL FILTER | | 1 | 2) |
| 4 | 00 0796 213 0 | FILTER ELEMENT | | 1 | 1) |
| 5 | 00 0796 789 0 | SEALING RING | | 1 | 1) |
| 6 | 00 0796 788 0 | WATER CONTAINER | | 1 | 1) |
| 7 | 00 0796 791 0 | SCREW PLUG | | 1 | 1) |
| 8 | 00 0796 790 0 | PLUG | | 1 | 1) |
| 9 | 00 0239 387 0 | CONTACT WASHER | A8-8,2X18X1,4 | 2 | 1) |
| 10 | 00 0236 170 0 | HEXAGONAL NUT | M8 | 2 | 1) |

1) Equipment

MD_P06_0010

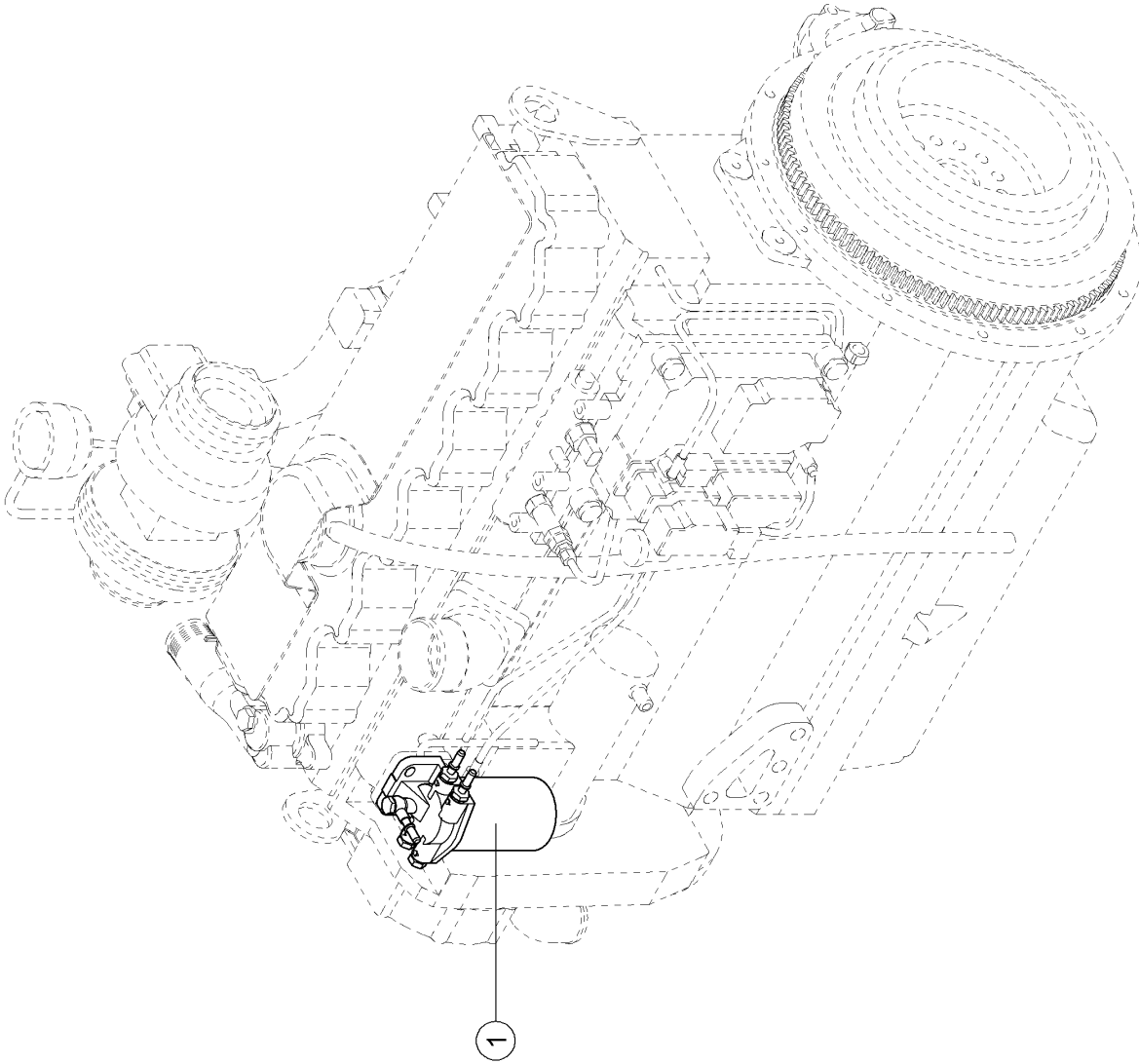
Additional fuel filter

2) Equipment

MD_P06_0010

Additional fuel filter
with Item 4 - 8**Remarks**

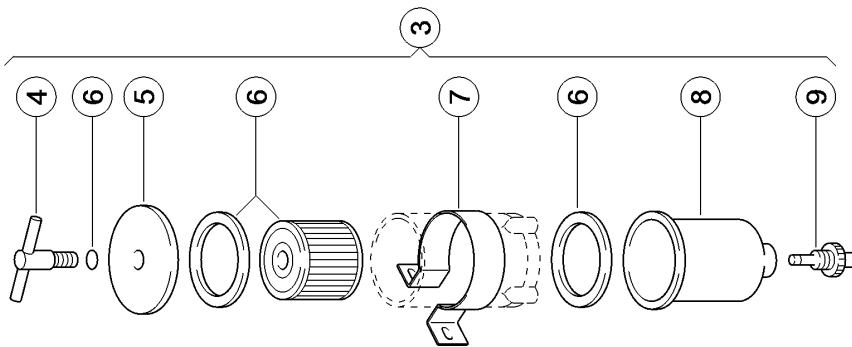
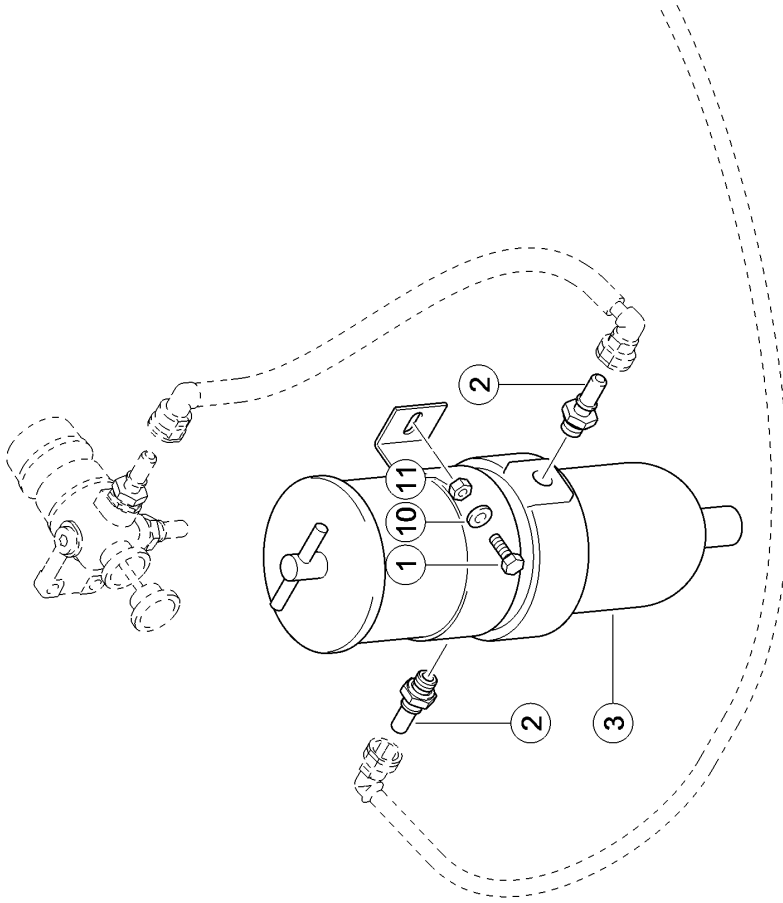
E0127 0125A160A 2



160 FUEL FILTER

| Pos. | Part No. | Description | Dimension | Quantity | Conditions |
|-------------|----------------------|--------------------|------------------|-----------------|-------------------|
| 1 | 00 0530 056 0 | FUEL FILTER | | 1 | |

E0127 0125A160A 3



160 FUEL FILTER

| Pos. | Part No. | Description | Dimension | Quantity | Conditions |
|------|----------------------|-------------------|-------------------|----------|------------|
| 1 | 00 0236 200 0 | HEXAGON HEAD BOLT | M8X20 | 2 | 1) |
| 2 | 00 0798 652 1 | ADAPTER | DN 12 - F-M22X1,5 | 2 | 2) |
| 3 | 00 0796 212 1 | SEPARATOR | | 1 | 2) |
| 4 | 00 0796 024 0 | WING SCREW | | 1 | 1) |
| 5 | 00 0796 023 0 | COVER | | 1 | 1) |
| 6 | 00 0796 214 1 | FILTER ELEMENT | | 1 | 1) |
| 7 | 00 0067 328 1 | SUPPORT | | 1 | 1) |
| 8 | 00 0072 996 1 | WATER CONTAINER | | 1 | 1) |
| 9 | 00 0796 022 0 | DRAIN VALVE | | 1 | 1) |
| 10 | 00 0239 387 0 | CONTACT WASHER | A8-8,2X18X1,4 | 2 | 1) |
| 11 | 00 0236 170 0 | HEXAGONAL NUT | M8 | 2 | 1) |

1) Equipment

MD_P06_0030

Additional fuel filter (OE)

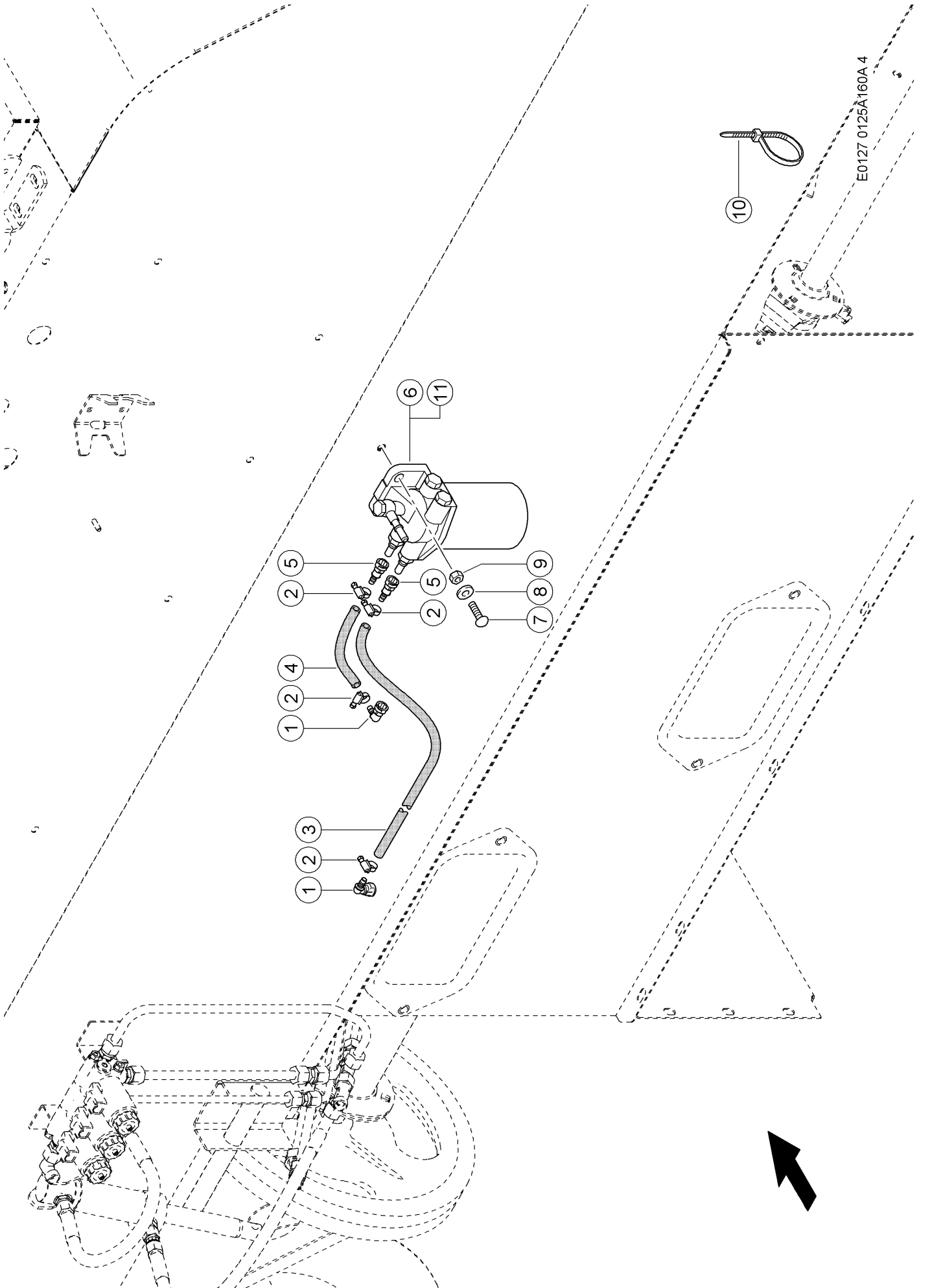
2) Equipment

MD_P06_0030

Additional fuel filter (OE)

MD_P06_0040

Ultrafine filter



E0127 0125A160A 4

Thank you so much for reading.
Please click the “Buy Now!”
button below to download the
complete manual.



After you pay.

You can download the most
perfect and complete manual in
the world immediately.

Our support email:

ebooklibonline@outlook.com