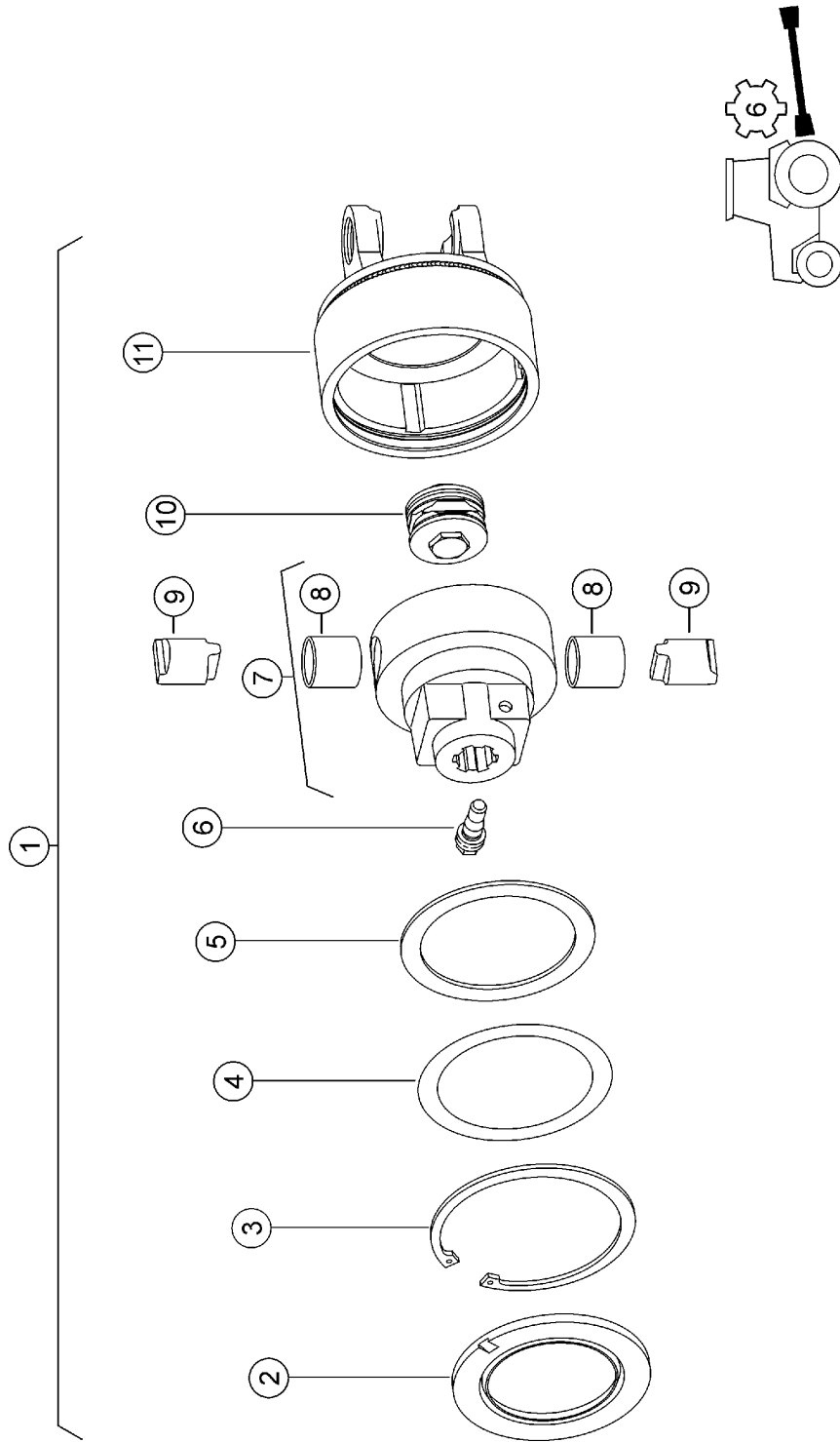


EO453 0260A100A 1

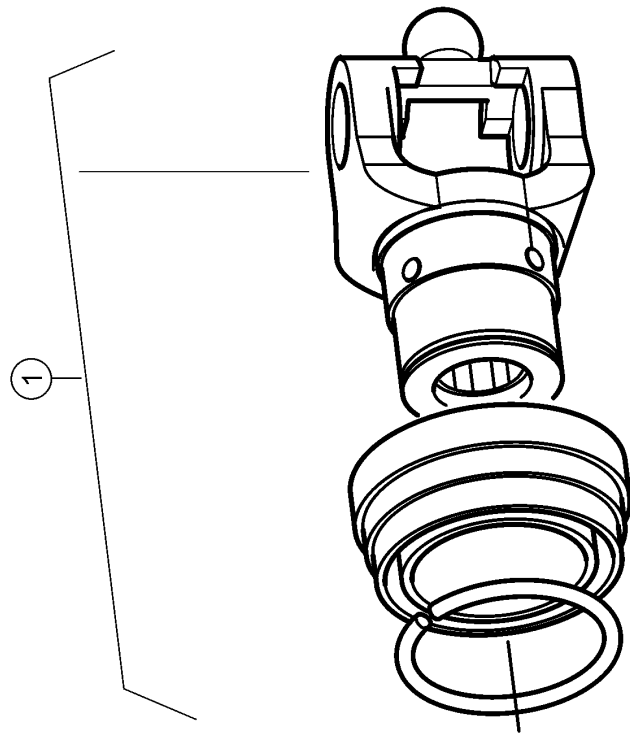
**100 DRIVE SHAFT, MAIN DRIVE 1)**

Pos.	Part No.	Description	Dimension	Quantity	Conditions
1	<b>00 1399 990 0</b>	DRIVE SHAFT		1	
2	<b>00 0151 338 0</b>	OUTER GUARD HALF		1	
3	<b>00 0151 339 0</b>	INNER GUARD HALF		1	
4	<b>00 0850 548 0</b>	SCREW		10	
5	<b>00 0151 342 0</b>	PROTECT.FUNNEL		1	
6	<b>00 0921 858 0</b>	GLIDE RING		1	
7	<b>00 0151 340 0</b>	FORK		1	2)
8	<b>00 0615 209 0</b>	LOCK		1	
9	<b>00 0139 004 0</b>	CENTRE CROSS ASS.		2	
10	<b>00 1335 037 0</b>	GREASE NIPPLE		3	
11	<b>00 0921 852 0</b>	WASHER		4	
12	<b>00 0935 300 0</b>	DOUBLE FORK		1	
13	<b>00 0921 139 0</b>	FORK		1	
14	<b>00 0244 580 0</b>	SPRING PIN	10 X 75	2	
15	<b>00 0138 368 0</b>	PROFILE TUBE		1	
16	<b>00 0920 671 0</b>	GLIDE RING		2	
17	<b>00 0139 031 0</b>	PROTECT.FUNNEL		1	
18	<b>00 0821 104 0</b>	SUPPORTING CHAIN		1	
19	<b>00 0817 323 0</b>	GLIDE RING		1	
20	<b>00 0917 285 0</b>	BACK-UP RING		1	
21	<b>00 0817 326 0</b>	PROTECT.FUNNEL		1	
22	<b>00 0972 297 0</b>	SUPPORTING CHAIN		1	
23	<b>00 0138 371 0</b>	PROFILE TUBE		1	
24	<b>00 0972 472 0</b>	TENSION PIN FORKE		1	
25	<b>00 0075 234 0</b>	CENTRE CROSS ASS.		1	
26	<b>00 0151 341 0</b>	CAM DISK		1	
<b>1)</b>	<b>Equipment</b>	LW_M05_0010	Single wide-angle PTO drive shaft, 6-spline, 1 3/8"		
<b>2)</b>	<b>Remarks</b>		1 3/8" (6)		



**100 DRIVE SHAFT, MAIN DRIVE 1)**

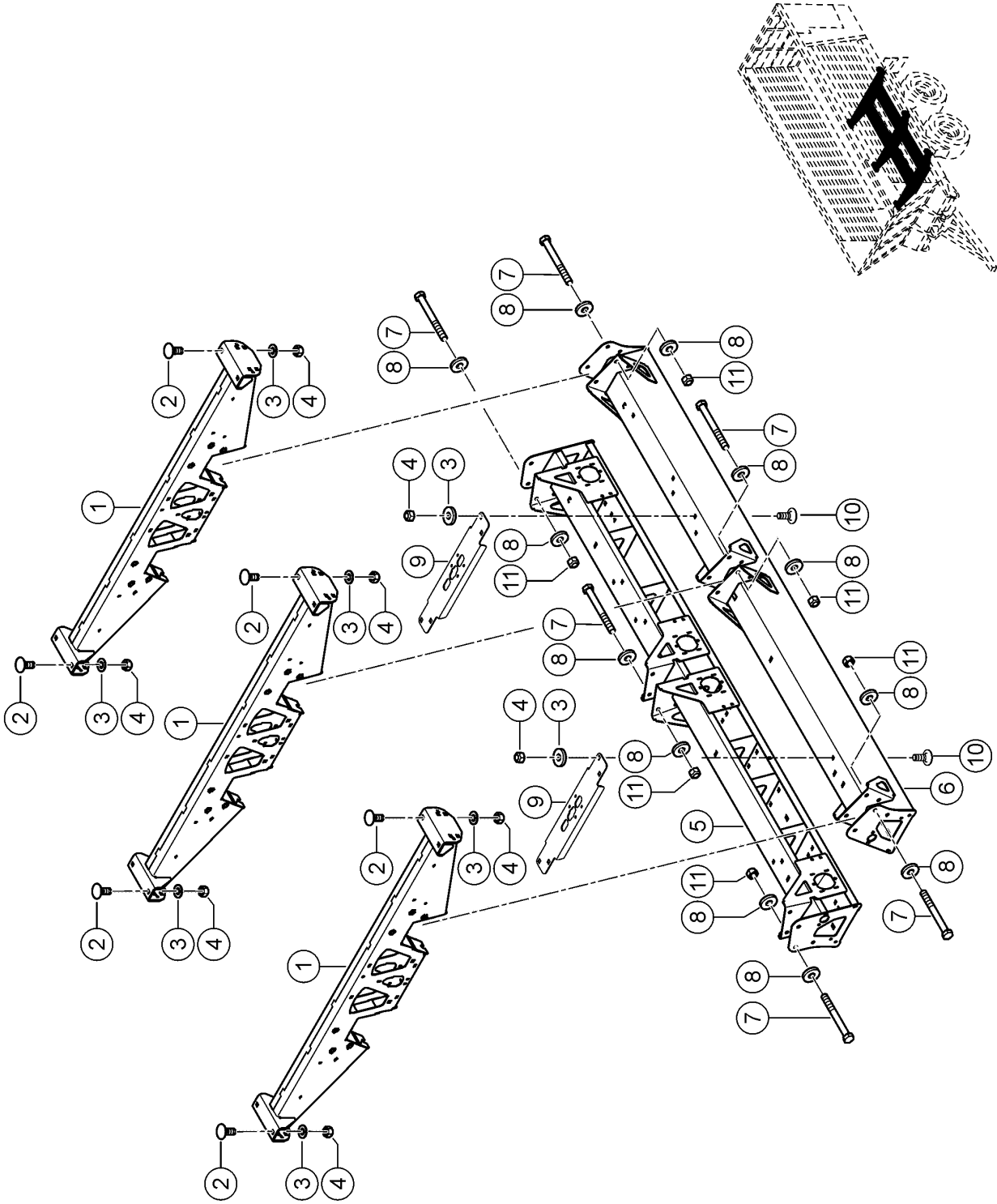
Pos.	Part No.	Description	Dimension	Quantity	Conditions
1	<b>00 0151 341 0</b>	CAM DISK		1	
2	<b>00 0824 459 0</b>	SEALING RING		1	
3	<b>00 0235 195 0</b>	CIRCLIP	115X4	1	
4	<b>00 0138 555 0</b>	SHIM KIT		1	
5	<b>00 0468 271 0</b>	BACK-UP WASHER		2	
6	<b>00 0838 048 0</b>	CLAMP BRACKET		1	
7	<b>00 0151 343 0</b>	HUB		1	
8	<b>00 0138 557 0</b>	BUSHING		2	
9	<b>00 0138 558 0</b>	LOCKING CAM		2	
10	<b>00 0358 516 0</b>	SPRING KIT		1	
11	<b>00 0151 344 0</b>	CLUTCH HOUSING		1	
<hr/>					
<b>1)</b>	<b>Equipment</b>	LW_M05_0010	Single wide-angle PTO drive shaft, 6-spline, 1 3/8"		



**100 DRIVE SHAFT, MAIN DRIVE 1)**

Pos.	Part No.	Description	Dimension	Quantity	Conditions
1	<b>00 1392 708 0</b>	EXTENSION FORKE		1	2)
1	<b>00 1392 707 0</b>	EXTENSION FORKE		1	3)
1	<b>00 0139 427 0</b>	EXTENSION FORKE		1	4)
<b>1)</b>	<b>Equipment</b>	LW_M05_0010	Single wide-angle PTO drive shaft, 6-spline, 1 3/8"		
<b>2)</b>	<b>Remarks</b>		1 3/4" (6)		
<b>3)</b>	<b>Remarks</b>		1 3/4" (20)		
<b>4)</b>	<b>Remarks</b>		1 3/8" (21)		

E0453 0305A100A 1



**100 AXLE SUPPORT**

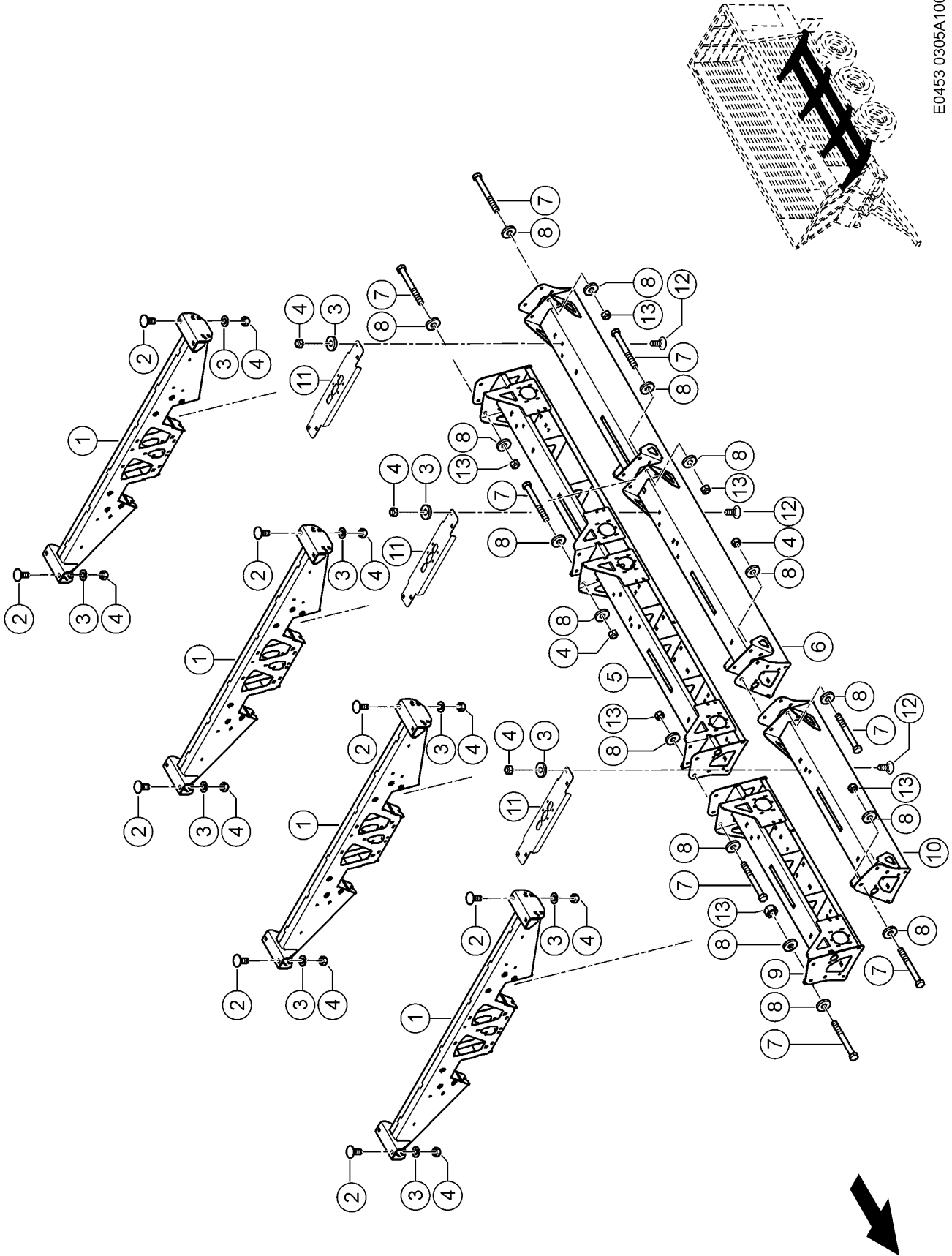
Pos.	Part No.	Description	Dimension	Quantity	Conditions
1	<b>00 1325 470 5</b>	CROSS SUPPORT		3	1)
2	<b>00 0212 928 0</b>	COACH BOLT	M16X 40	12	1)
3	<b>00 0239 391 0</b>	CONTACT WASHER	A16	12	1)
4	<b>00 0238 047 0</b>	LOCK NUT	M16	12	1)
5	<b>00 1325 453 9</b>	SUPPORT R.H.		1	1)
6	<b>00 1325 452 9</b>	SUPPORT L.H.		1	1)
7	<b>00 0214 455 0</b>	HEXAGON HEAD BOLT	M16X150	18	1)
8	<b>00 0233 488 0</b>	WASHER	17X45X8	36	1)
9	<b>00 1392 070 2</b>	BRACE	5X207X 785	2	1)
10	<b>00 0215 814 0</b>	COACH BOLT	M16X40-F=7	8	1)
11	<b>00 0211 630 0</b>	LOCK NUT	M16	18	1)

**1) Equipment**

LW_N08_0610	Tandem axle, 18 t axle loading, mechanical suspension
LW_N08_0620	Tandem axle, 18 t axle loading, with hydraulic suspension
LW_N08_0630	Tandem axle, 20 t axle loading, mechanical suspension
LW_N08_0640	Tandem axle, 20 t axle loading, with hydraulic suspension



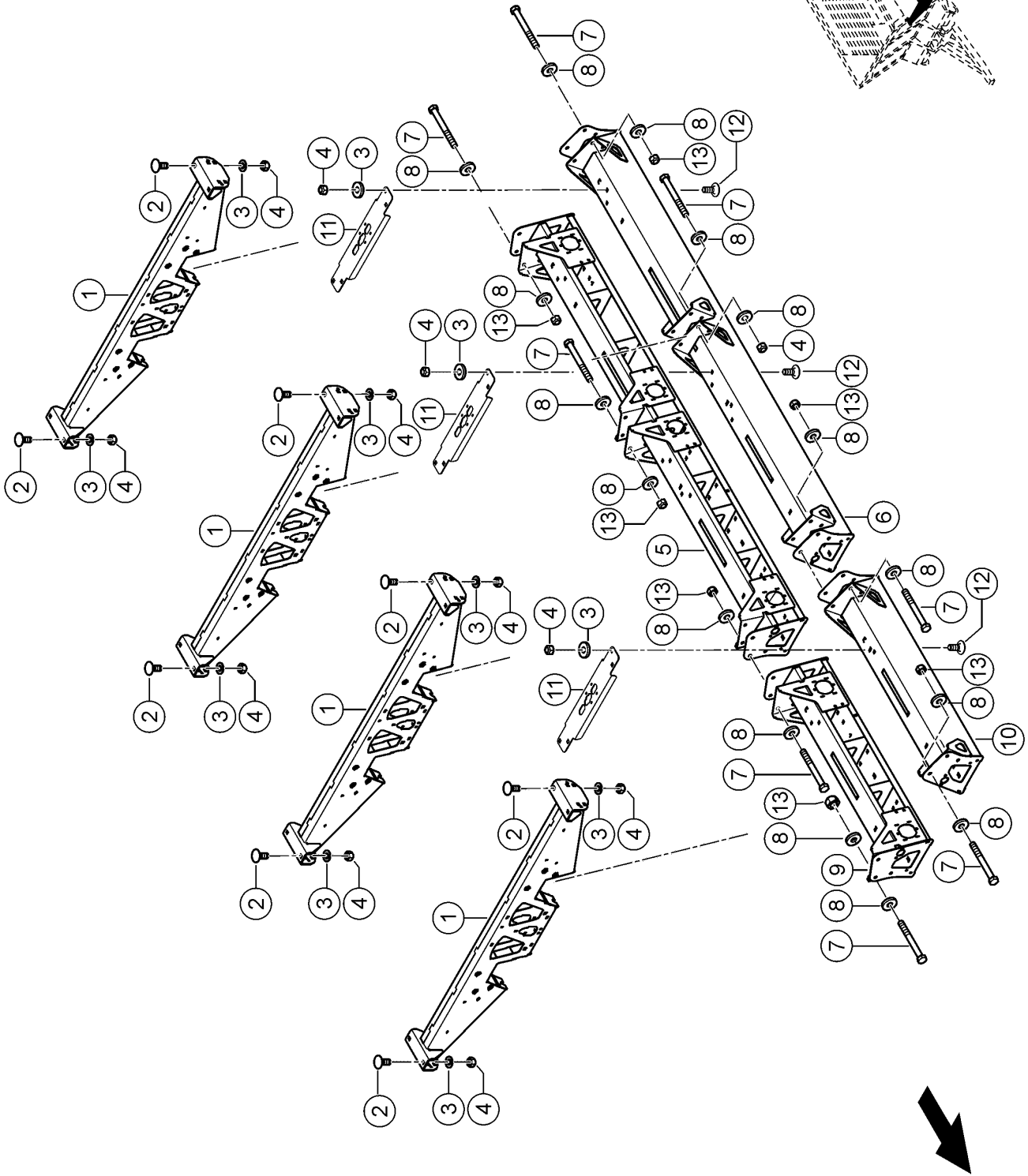
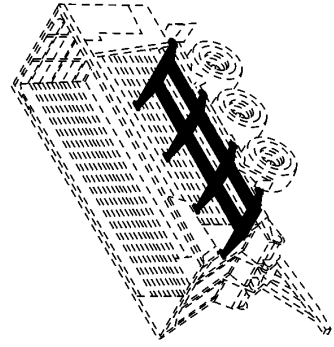
E0453 0305A100A 2



**100 AXLE SUPPORT**

Pos.	Part No.	Description	Dimension	Quantity	Conditions
1	<b>00 1325 470 5</b>	CROSS SUPPORT		4	1)
2	<b>00 0212 928 0</b>	COACH BOLT	M16X 40	16	1)
3	<b>00 0239 391 0</b>	CONTACT WASHER	A16	28	1)
4	<b>00 0238 047 0</b>	LOCK NUT	M16	22	1)
5	<b>00 1325 453 9</b>	SUPPORT R.H.		1	1)
6	<b>00 1325 452 9</b>	SUPPORT L.H.		1	1)
7	<b>00 0214 455 0</b>	HEXAGON HEAD BOLT	M16X150	18	1)
8	<b>00 0233 488 0</b>	WASHER	17X45X8	36	1)
9	<b>00 1392 266 6</b>	SUPPORT		1	1)
10	<b>00 1392 265 6</b>	SUPPORT		1	1)
11	<b>00 1392 070 2</b>	BRACE	5X207X 785	2	1)
12	<b>00 0215 814 0</b>	COACH BOLT	M16X40-F=7	12	1)
13	<b>00 0211 630 0</b>	LOCK NUT	M16	18	1)
<b>1)</b>	<b>Equipment</b>				
		LW_N08_0650			Tridem axle, 27 t axle loading, with hydraulic suspension
		LW_N08_0670			Tridem axle, 27 t axle loading, mechanical suspension

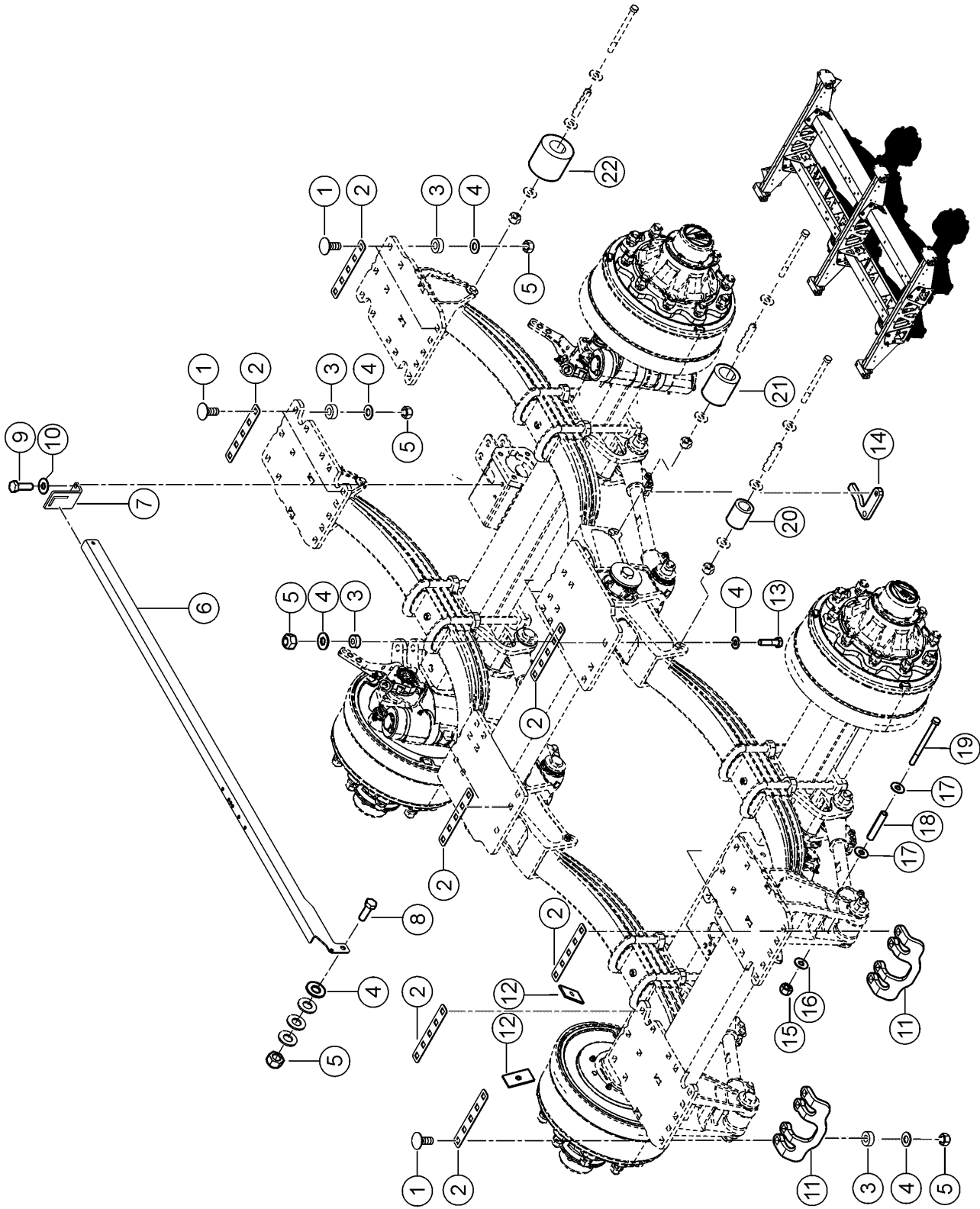
E0453 0305A100A 3



**100 AXLE SUPPORT**

Pos.	Part No.	Description	Dimension	Quantity	Conditions
1	<b>00 1325 470 5</b>	CROSS SUPPORT		4	1)
2	<b>00 0212 928 0</b>	COACH BOLT	M16X 40	16	1)
3	<b>00 0239 391 0</b>	CONTACT WASHER	A16	28	1)
4	<b>00 0238 047 0</b>	LOCK NUT	M16	22	1)
5	<b>00 1325 453 9</b>	SUPPORT R.H.		1	1)
6	<b>00 1325 452 9</b>	SUPPORT L.H.		1	1)
7	<b>00 0214 455 0</b>	HEXAGON HEAD BOLT	M16X150	24	1)
8	<b>00 0233 488 0</b>	WASHER	17X45X8	36	1)
9	<b>00 1392 298 5</b>	SUPPORT		1	1)
10	<b>00 1392 297 5</b>	SUPPORT		1	1)
11	<b>00 1392 070 2</b>	BRACE	5X207X 785	2	1)
12	<b>00 0215 814 0</b>	COACH BOLT	M16X40-F=7	12	1)
13	<b>00 0211 630 0</b>	LOCK NUT	M16	18	1)
<b>1)</b>	<b>Equipment</b>				
		LW_N08_0660			Tridem axle, 30 t axle loading, with hydraulic suspension
		LW_N08_0680			Tridem axle, 30 t axle loading, mechanical suspension

E0453 0305A100A 4



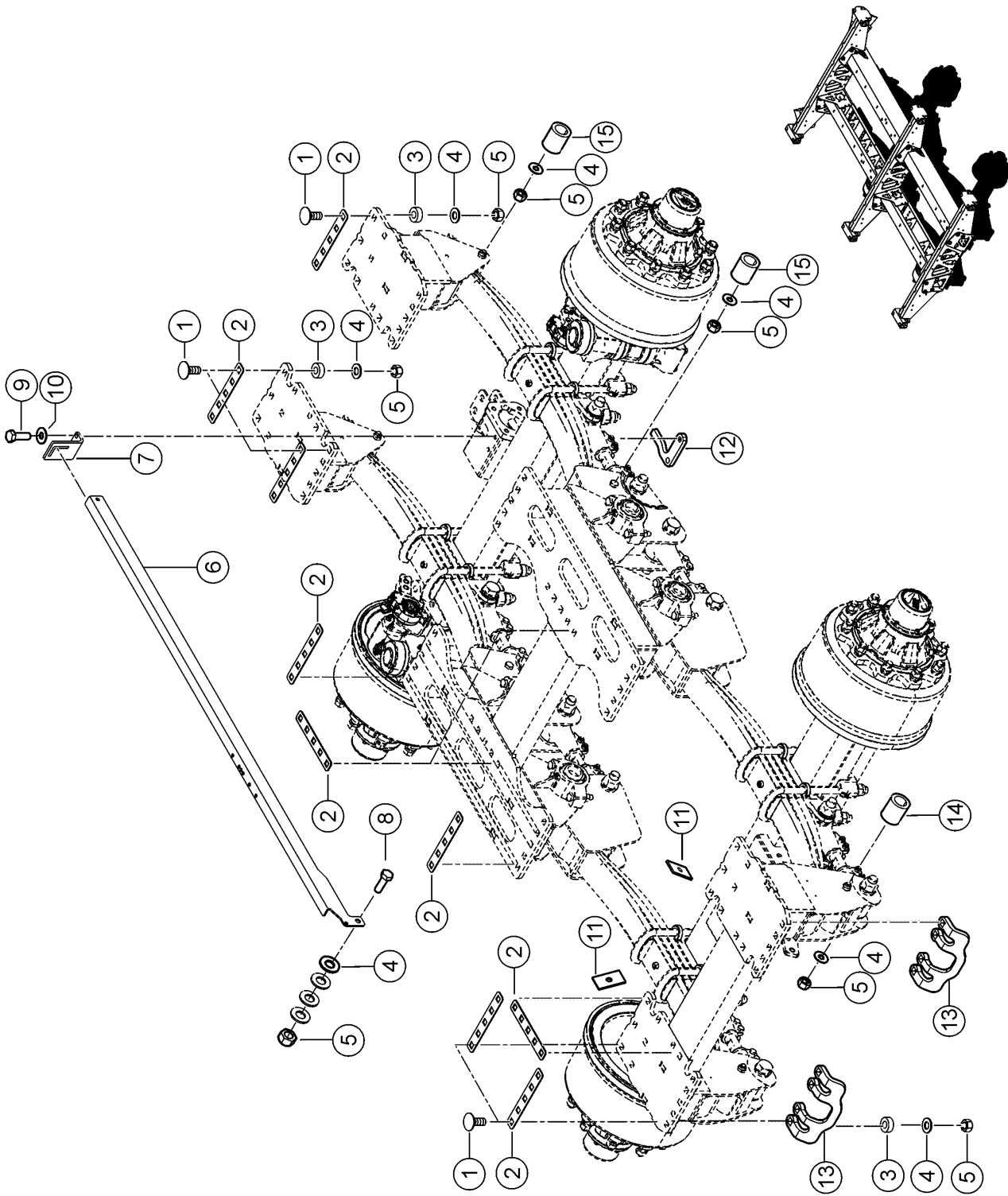
**100 AXLE SUPPORT**

Pos.	Part No.	Description	Dimension	Quantity	Conditions
1	<b>00 0220 506 0</b>	COACH BOLT	M16X 60	42	1)
2	<b>00 1325 481 2</b>	PLATE	3X 38X 244	14	1)
3	<b>00 0499 458 0</b>	BUSHING	17X 35H9X 14	38	1)
4	<b>00 0239 391 0</b>	CONTACT WASHER	A16	50	1)
5	<b>00 0238 047 0</b>	LOCK NUT	M16	46	1)
6	<b>00 1392 283 2</b>	ANGLE	5X136X1880	1	1)
7	<b>00 1392 282 0</b>	ANGLE	8X 75X 156	1	1)
8	<b>00 0244 403 0</b>	HEXAGON HEAD BOLT	M16X65	1	1)
9	<b>00 0237 572 0</b>	HEXAGON HEAD BOLT	M12X35	2	1)
10	<b>00 0239 389 0</b>	CONTACT WASHER	A12	2	1)
11	<b>00 2629 296 0</b>	SUPPORT	VERZURROESE	2	1)
12	<b>00 0656 255 0</b>	COUNTER PLATE	25X3X46	4	1)
13	<b>00 0235 588 0</b>	HEXAGON HEAD BOLT	M16X60-B=38	4	1)
14	<b>00 1392 073 1</b>	THREADED PLATE	8X 76X 85	1	1)
15	<b>00 0233 323 0</b>	LOCK NUT	M12	8	1)
16	<b>00 0239 389 0</b>	CONTACT WASHER	A12	8	1)
17	<b>00 0234 226 0</b>	WASHER	13X26X1	16	1)
18	<b>00 2674 780 0</b>	TUBE	D20/13	8	1)
19	<b>00 0219 785 0</b>	HEX.HEAD BOLT	M12X150	8	1)
20	<b>00 2674 513 0</b>	TUBE	D70/50	2	1)
21	<b>00 2674 515 0</b>	TUBE	D80/52	2	1)
22	<b>00 2679 666 0</b>	TUBE	D100/50	2	1)

**1) Equipment**

LW\_N08\_0610

Tandem axle, 18 t axle loading, mechanical suspension



Thank you so much for reading.  
Please click the “Buy Now!”  
button below to download the  
complete manual.



After you pay.

You can download the most  
perfect and complete manual in  
the world immediately.

Our support email:

[ebooklibonline@outlook.com](mailto:ebooklibonline@outlook.com)