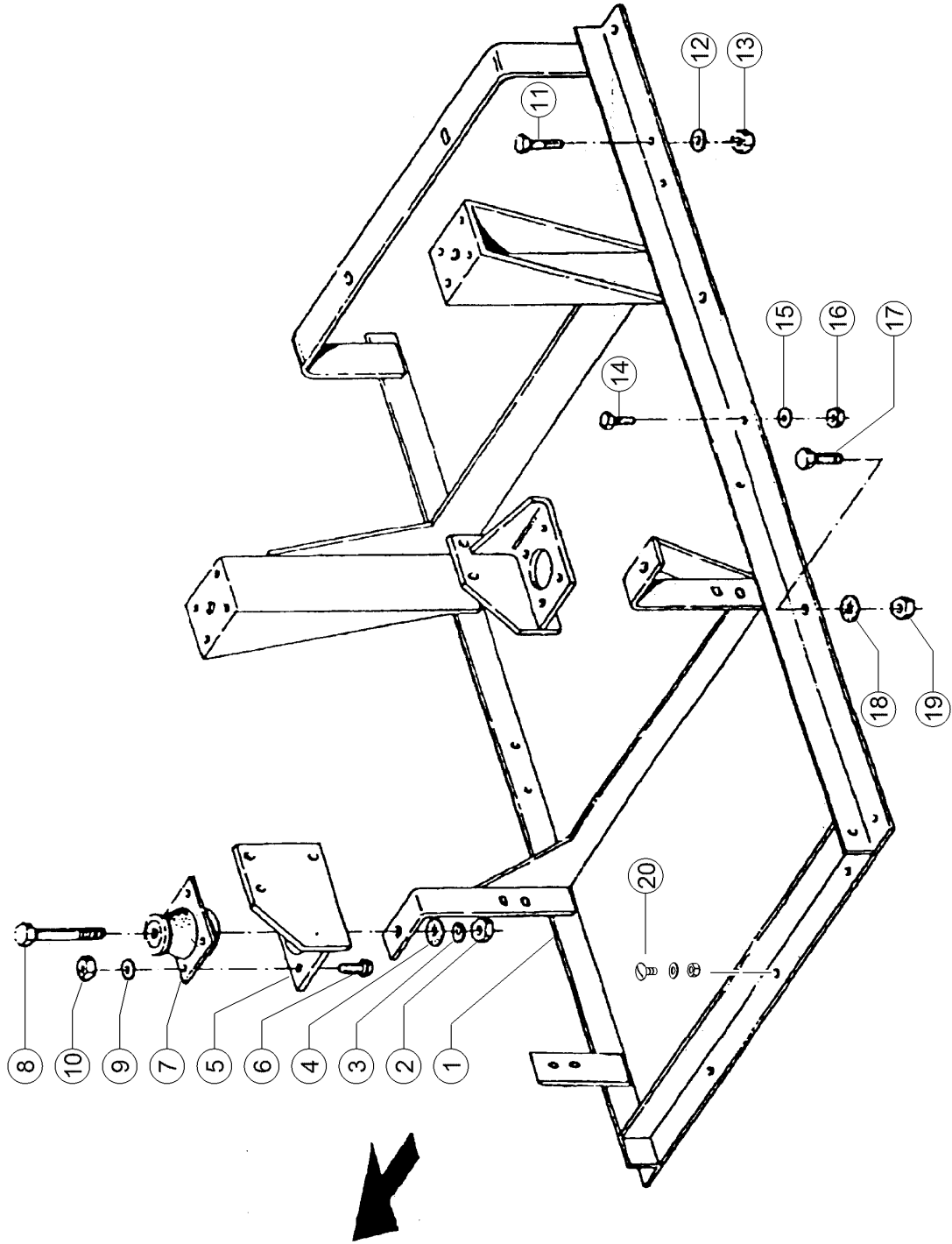


**010 COMPLETE ENGINE**

<b>Pos.</b>	<b>Part No.</b>	<b>Description</b>	<b>Dimension</b>	<b>Quantity</b>	<b>Conditions</b>
1	<b>00 0020 202 3</b>	ENGINE		1	1)
1	<b>00 0025 535 0</b>	ENGINE		1	2)
1	<b>00 0025 534 0</b>	ENGINE		1	
1	<b>00 0025 205 0</b>	ENGINE	TATA 4SPNA RTV (61HP)	1	
2	<b>00 2210 905 0</b>	GUARD CAP	D22,4-F	1	
<b>1)</b>	<b>machine no.</b>				+ up to 07052655
<b>2)</b>	<b>machine no.</b>				+ from 07052656



**100 ENGINE SUSPENSION**

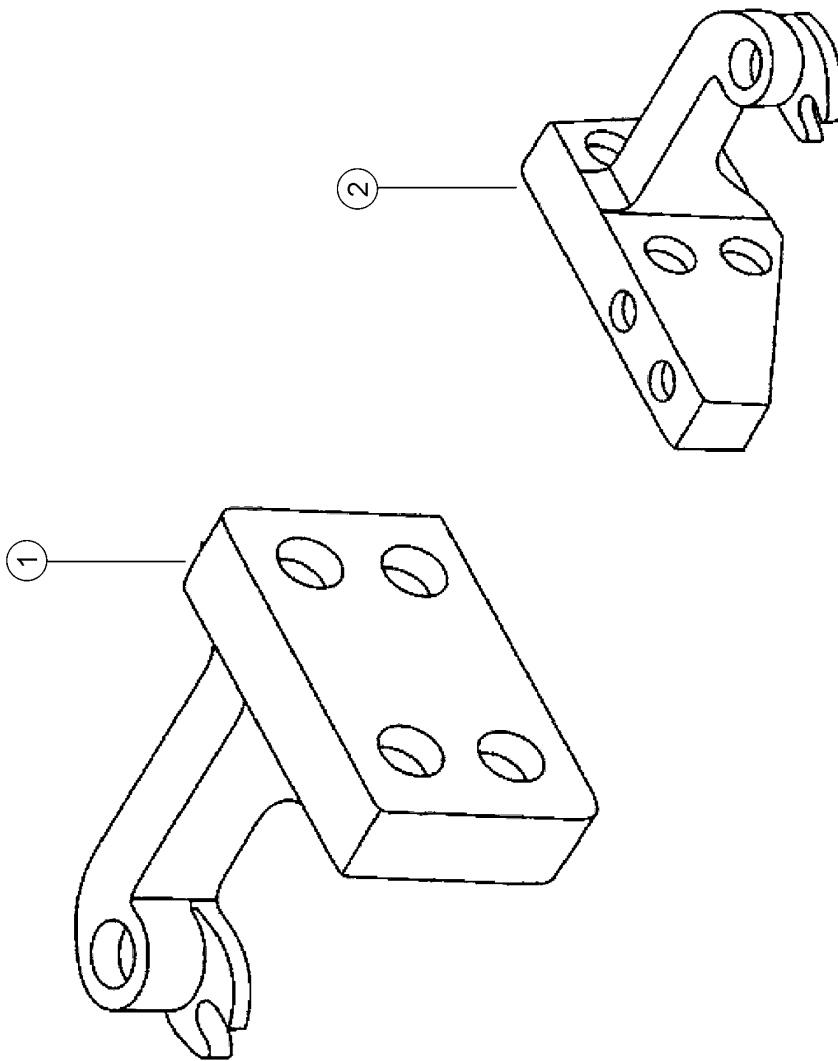
Pos.	Part No.	Description	Dimension	Quantity	Conditions
1	<b>00 0379 230 0</b>	ENGINE MOUNTING		1	1)
1	<b>00 0380 438 1</b>	ENGINE MOUNTING		1	2)
2	<b>00 0236 173 0</b>	HEXAGONAL NUT	M16	4	
3	<b>00 0235 131 1</b>	SPRING WASHER	6 -6,1X11,8X1,3	4	
4	<b>00 0235 127 2</b>	WASHER	16 - 17X30X3	4	
5	<b>00 0020 068 2</b>	SUPPORT		1	3)
5	<b>00 0020 067 2</b>	SUPPORT		1	4)
6	<b>00 0237 382 0</b>	HEXAGON HEAD BOLT	M10X20	16	1)
6	<b>00 0237 383 0</b>	HEXAGON HEAD BOLT	M10X25	27	2)
7	<b>00 0020 055 0</b>	MEGU BUSHING		4	1)
7	<b>00 0025 332 0</b>	MEGU BUSHING		4	2)
8	<b>00 0242 394 0</b>	HEXAGON HEAD BOLT	M16X100	2	
9	<b>00 0239 388 0</b>	CONTACT WASHER	A10-10,2X22,25X1,6	16	1)
9	<b>00 0239 388 0</b>	CONTACT WASHER	A10-10,2X22,25X1,6	29	2)
10	<b>00 0236 171 0</b>	HEXAGONAL NUT	M10	16	1)
10	<b>00 0236 171 0</b>	HEXAGONAL NUT	M10	22	2)
10	<b>00 0236 171 0</b>	HEXAGONAL NUT	M10	23	
11	<b>00 0237 461 0</b>	HEXAGON HEAD BOLT	M12X30	2	
11	<b>00 0237 572 0</b>	HEXAGON HEAD BOLT	M12X35	2	
12	<b>00 0239 389 0</b>	CONTACT WASHER	A12	2	
13	<b>00 0236 172 0</b>	HEXAGONAL NUT	M12	4	
14	<b>00 0237 383 0</b>	HEXAGON HEAD BOLT	M10X25	4	
15	<b>00 0239 388 0</b>	CONTACT WASHER	A10-10,2X22,25X1,6	4	
16	<b>00 0236 171 0</b>	HEXAGONAL NUT	M10	4	
17	<b>00 0237 453 0</b>	HEXAGON HEAD BOLT	M10X30	2	
18	<b>00 0239 388 0</b>	CONTACT WASHER	A10-10,2X22,25X1,6	2	
19	<b>00 0236 171 0</b>	HEXAGONAL NUT	M10	2	
20	<b>00 0239 393 1</b>	CONTACT WASHER	B 8 -8,2X22X1,9	7	
20	<b>00 0239 387 0</b>	CONTACT WASHER	A8-8,2X18X1,4	7	

**1) machine no.** + up to 07052655

**2) machine no.** + from 07052656

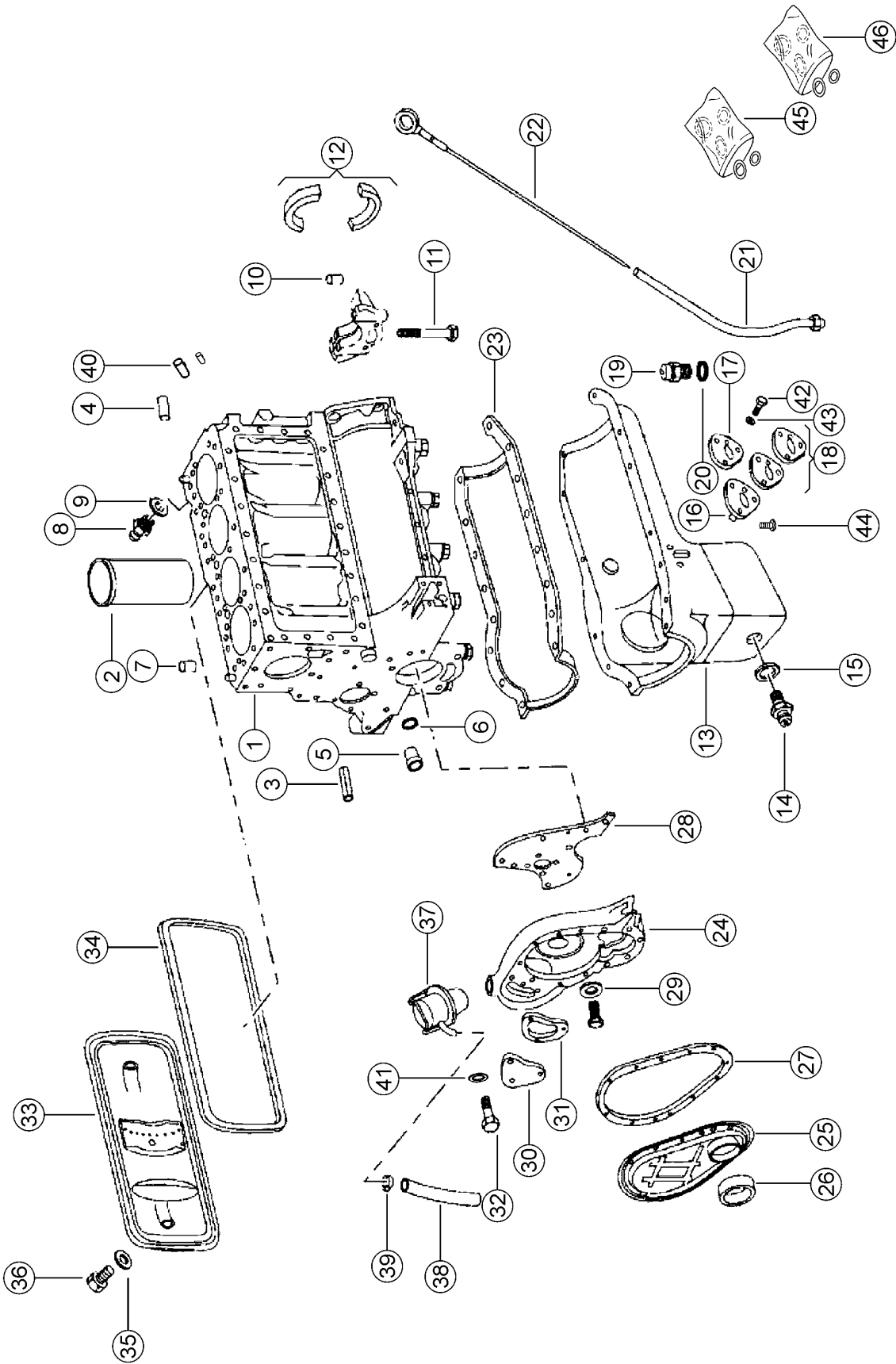
**3) Remarks** right

**4) Remarks** left



**100 ENGINE SUSPENSION**

<b>Pos.</b>	<b>Part No.</b>	<b>Description</b>	<b>Dimension</b>	<b>Quantity</b>	<b>Conditions</b>
1	<b>00 2213 623 0</b>	BRACKET		1	
2	<b>00 2213 624 0</b>	BRACKET		1	



**100 CRANKCASE**

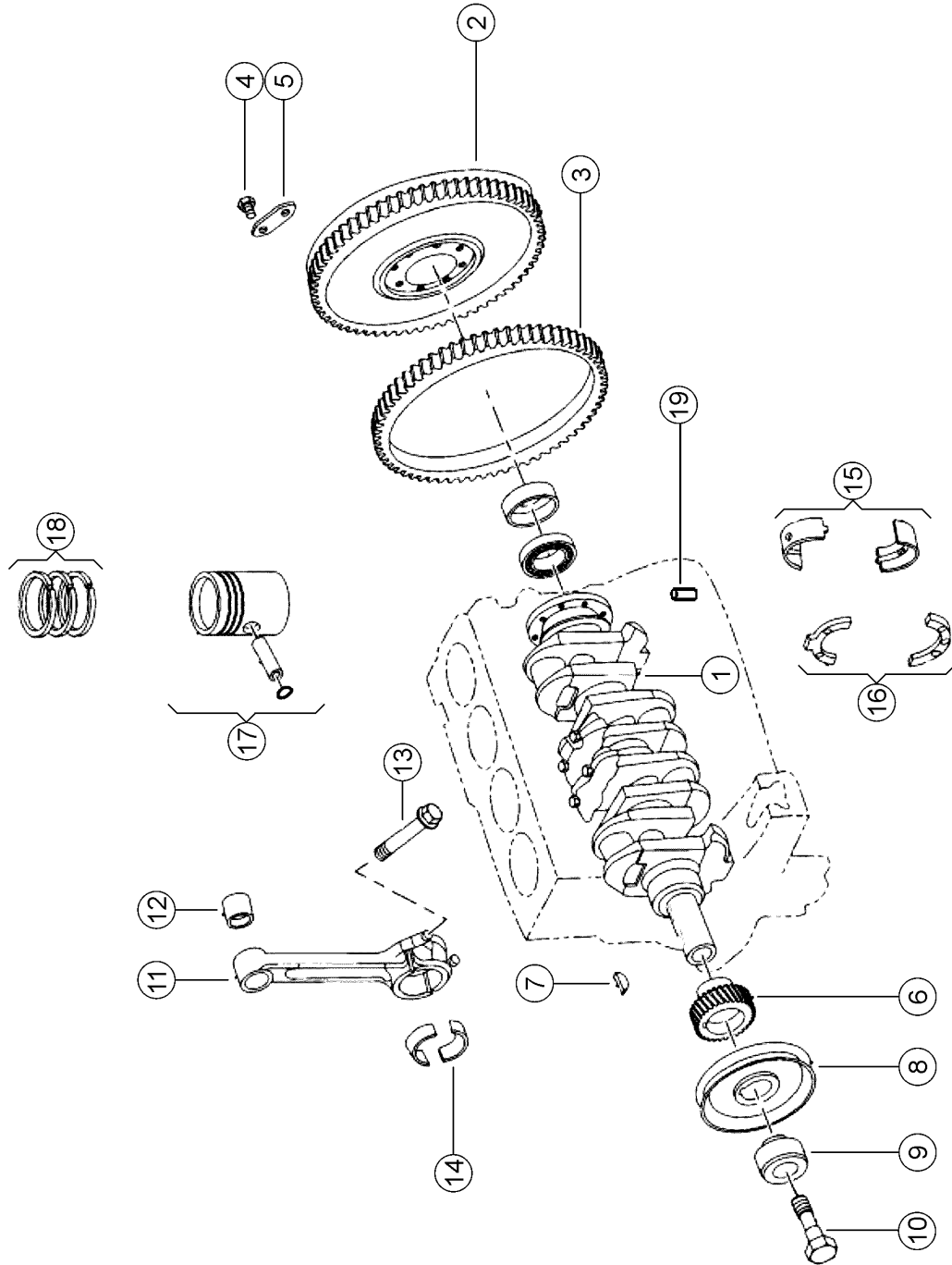
Pos.	Part No.	Description	Dimension	Quantity	Conditions
1	<b>00 2213 367 0</b>	CYL.-CRANKCASE		1	
2	<b>00 2213 368 0</b>	CYLINDER LINER		4	
2	<b>00 2213 068 0</b>	CENTERING PIN		2	
3	<b>00 2213 061 0</b>	TAPER LOCK SLEEVE		1	
3	<b>00 2213 060 0</b>	BUSHING		1	
4	<b>00 2213 062 0</b>	PIN		2	
5	<b>00 2213 373 0</b>	PLUG		2	
6	<b>00 2213 374 0</b>	SEALING WASHER		2	
6	<b>00 2213 375 0</b>	COVER		1	1)
7	<b>00 2213 064 0</b>	PIN		2	
8	<b>00 2213 059 0</b>	SEALING PLUG		1	
9	<b>00 2213 086 0</b>	WASHER		1	
10	<b>00 2213 065 0</b>	GRUB SCREW		10	
11	<b>00 2213 380 0</b>	SCREW		10	
12	<b>00 2213 381 0</b>	HALF BEARINGS		2	
13	<b>00 2213 382 0</b>	OIL SUMP		1	
14	<b>00 2213 087 0</b>	DRAIN SCREW		1	
15	<b>00 2213 086 0</b>	WASHER		1	
16	<b>00 2213 092 0</b>	FLANGE		1	
17	<b>00 2213 088 0</b>	FLANGE		1	
18	<b>00 2213 386 0</b>	GASKET		2	
18	<b>00 2213 090 0</b>	SCREW		1	
18	<b>00 2213 089 0</b>	DISC SPRING		1	
18	<b>00 2213 197 0</b>	SCREW		3	
19	<b>00 2213 095 0</b>	SOCKET		1	
20	<b>00 2213 094 0</b>	WASHER		1	
21	<b>00 2213 388 0</b>	TUBE		1	
22	<b>00 2213 069 0</b>	DIP STICK		1	
23	<b>00 2213 053 0</b>	GASKET	MATERIAL: GUMMI	1	
23	<b>00 2213 096 0</b>	SCREW		12	
23	<b>00 2213 391 0</b>	CLAMP		1	
24	<b>00 2213 392 0</b>	SEMI GEAR CASE		1	
24	<b>00 2213 065 0</b>	GRUB SCREW		2	
24	<b>00 2213 394 0</b>	CYLINDRICAL PIN		2	
25	<b>00 2213 395 0</b>	HOUSING COVER		1	
26	<b>00 2213 079 0</b>	GASKET		1	
27	<b>00 2213 397 0</b>	GASKET		1	
27	<b>00 2213 398 0</b>	SCREW		4	
27	<b>00 2213 399 0</b>	SCREW		9	
28	<b>00 2213 400 0</b>	GASKET		1	
29	<b>00 2213 076 0</b>	FUSE		3	
30	<b>00 2213 402 0</b>	COVER		1	
31	<b>00 2213 403 0</b>	GASKET		1	
32	<b>00 2213 404 0</b>	SCREW		3	
34	<b>00 2213 406 0</b>	GASKET		1	
34	<b>00 2213 407 0</b>	GASKET		1	
36	<b>00 2213 121 0</b>	SPACER		1	
37	<b>00 2213 410 0</b>	BREATHER		1	
38	<b>00 2213 411 0</b>	HOSE		1	
39	<b>00 2213 412 0</b>	HOSE CLIP		1	
39	<b>00 2213 413 0</b>	CLAMP		1	
40	<b>00 2213 060 0</b>	BUSHING		1	
41	<b>00 2213 089 0</b>	DISC SPRING		2	
42	<b>00 2213 090 0</b>	SCREW		2	



**100 CRANKCASE**

<b>Pos.</b>	<b>Part No.</b>	<b>Description</b>	<b>Dimension</b>	<b>Quantity</b>	<b>Conditions</b>
43	<b>00 2213 058 0</b>	WASHER		1	
44	<b>00 2213 096 0</b>	SCREW		12	
45	<b>00 2213 365 0</b>	SEAL KIT		1	
46	<b>00 2213 366 0</b>	SEAL KIT		1	

<b>1) Remarks</b>	As per requirement.
-------------------	---------------------

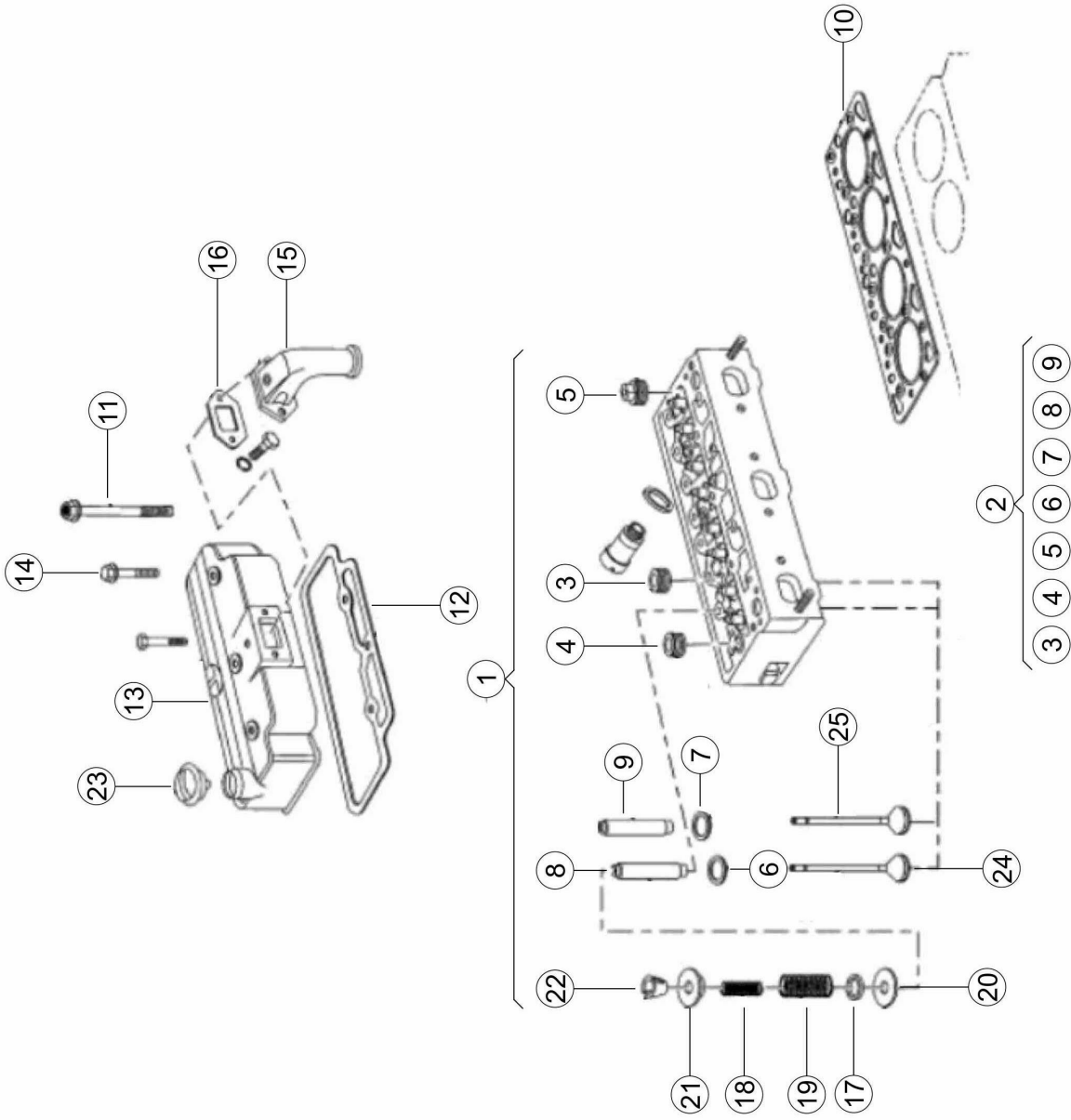


**140 CRANKSHAFT**

Pos.	Part No.	Description	Dimension	Quantity	Conditions
1	<b>00 2213 442 0</b>	CRANKSHAFT		1	
2	<b>00 2213 443 0</b>	FLYWHEEL		1	
3	<b>00 2213 444 0</b>	RING GEAR		1	
4	<b>00 2213 445 0</b>	SCREW		8	
5	<b>00 2213 446 0</b>	LOCKING PLATE		4	
6	<b>00 2213 117 0</b>	CRANKSHAFT GEAR		1	
7	<b>00 2213 118 0</b>	PARALLEL KEY		1	
8	<b>00 2213 449 0</b>	V-BELT PULLEY		1	
9	<b>00 2213 122 0</b>	SPACER BUSH		1	
10	<b>00 2213 123 0</b>	DAMPER		1	
11	<b>00 2213 452 0</b>	CONNECTING ROD		4	
12	<b>00 2213 453 0</b>	BUSHING		1	
12	<b>00 2213 454 0</b>	BUSHING		1	
13	<b>00 2213 129 0</b>	SCREW		8	
14	<b>00 2213 456 0</b>	BEARING BOX	PLEULLAGER SET STANDARD	1	
14	<b>00 2213 457 0</b>	BEARING BOX	PLEULLAGER SET R/S I	1	
14	<b>00 2213 458 0</b>	BEARING BOX	PLEULLAGER SET R/S II	1	
14	<b>00 2213 459 0</b>	BEARING BOX	PLEULLAGER SET R/S III	1	
14	<b>00 2213 460 0</b>	BEARING BOX	PLEULLAGER SET R/S IV	1	
15	<b>00 2213 461 0</b>	MAIN BEARING		1	
15	<b>00 2213 462 0</b>	MAIN BEARING		1	
15	<b>00 2213 463 0</b>	MAIN BEARING		1	
15	<b>00 2213 464 0</b>	MAIN BEARING		1	
15	<b>00 2213 465 0</b>	MAIN BEARING		1	
16	<b>00 2213 466 0</b>	WASHER SET		1	
16	<b>00 2213 467 0</b>	WASHER SET		1	
16	<b>00 2213 468 0</b>	WASHER SET		1	
17	<b>00 2213 469 0</b>	PLUNGER		1	1)
18	<b>00 2213 470 0</b>	PISTON RING SET		1	
19	<b>00 2213 068 0</b>	CENTERING PIN		1	

**1) Remarks**

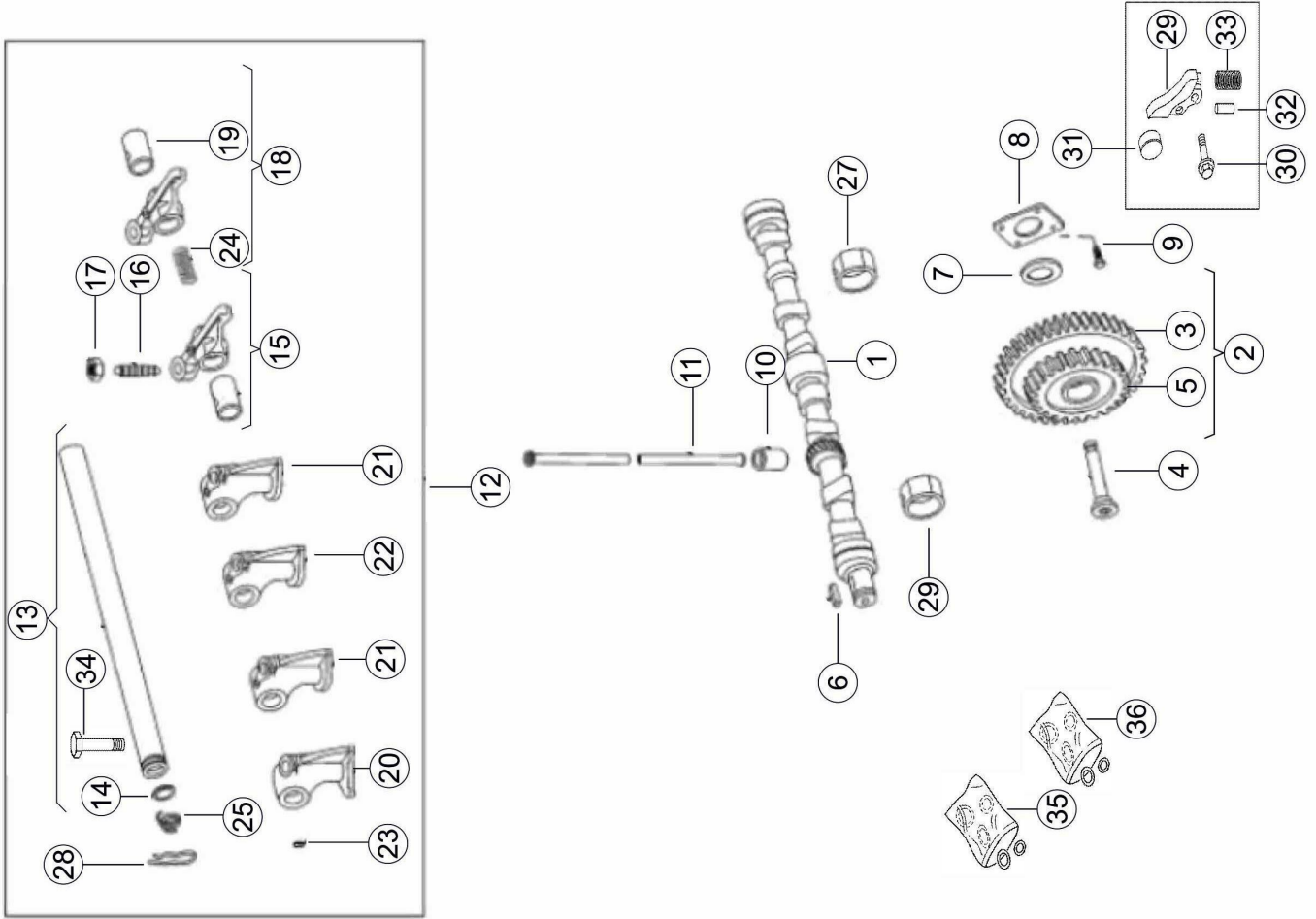
1 set = 4 each



**100 CYLINDER HEAD**

<b>Pos.</b>	<b>Part No.</b>	<b>Description</b>	<b>Dimension</b>	<b>Quantity</b>	<b>Conditions</b>
1	<b>00 2213 414 0</b>	CYLINDER HEAD		1	
2	<b>00 2213 415 0</b>	CYLINDER HEAD		1	
3	<b>00 2213 098 0</b>	FUSE		3	
4	<b>00 2213 101 0</b>	FUSE		2	
5	<b>00 2213 418 0</b>	PLUG		1	
6	<b>00 2213 106 0</b>	VALVE SEAT RING		4	
7	<b>00 2213 107 0</b>	VALVE SEAT RING		4	
8	<b>00 2213 102 0</b>	VALVE GUIDE		4	
9	<b>00 2213 104 0</b>	VALVE GUIDE		4	
9	<b>00 2213 423 0</b>	LOCK		4	
10	<b>00 2213 424 0</b>	CYLINDER HEAD GASKET		1	
11	<b>00 2213 425 0</b>	BOLT		17	
12	<b>00 2213 045 0</b>	GASKET		1	
13	<b>00 2213 427 0</b>	CYLINDER HEAD COVER		1	
14	<b>00 2213 428 0</b>	PIN		3	
15	<b>00 2213 429 0</b>	TUBE ELBOW		1	
16	<b>00 2213 050 0</b>	GASKET	MATERIAL: NON ASBESTOS	1	
17	<b>00 2213 103 0</b>	VALVE GUIDE		4	
17	<b>00 2213 105 0</b>	VALVE GUIDE		4	
18	<b>00 2213 432 0</b>	VALVE SPRING		8	
19	<b>00 2213 433 0</b>	VALVE SPRING		8	
20	<b>00 2213 166 0</b>	VALVE SPRING		8	
21	<b>00 2213 435 0</b>	SPRING GUIDE		8	
22	<b>00 2213 167 0</b>	CYLINDRIC. SLEEVE		16	
23	<b>00 2213 437 0</b>	LOCKING COVER		1	
23	<b>00 2213 438 0</b>	GASKET		1	
24	<b>00 2213 440 0</b>	INLET VALVE		4	
25	<b>00 2213 441 0</b>	OUTLET VALVE		4	

E0214 0120A180A 1



**180 CAMSHAFT, CAMSHAFT BEARING BUSHES**

<b>Pos.</b>	<b>Part No.</b>	<b>Description</b>	<b>Dimension</b>	<b>Quantity</b>	<b>Conditions</b>
1	<b>00 2213 471 0</b>	CAM SHAFT		1	
1	<b>00 2213 133 0</b>	COLLAR SCREW		8	
2	<b>00 2213 473 0</b>	TOOTH WHEEL CPL.		1	
3	<b>00 2213 131 0</b>	CAMSHAFT WHEEL		1	
3	<b>00 2213 132 0</b>	SEGMENT		4	
4	<b>00 2213 142 0</b>	PIN		1	
5	<b>00 2213 136 0</b>	DRIVING GEAR		1	
5	<b>00 2213 139 0</b>	COMPRESS.SPRING		2	
5	<b>00 2213 137 0</b>	SENDER UNIT		2	
5	<b>00 2213 141 0</b>	PIN		2	
6	<b>00 2213 140 0</b>	PARALLEL KEY		1	
7	<b>00 2213 138 0</b>	RING		1	
8	<b>00 2213 134 0</b>	WASHER		1	
9	<b>00 2213 135 0</b>	SCREW		4	
10	<b>00 2213 143 0</b>	VALVE TAPPET		8	
11	<b>00 2213 486 0</b>	VALVE TAPPET		8	
12	<b>00 2213 152 0</b>	TILT LEVER		1	
13	<b>00 2213 488 0</b>	SHAFT		1	
14	<b>00 2213 154 0</b>	CAP		2	
15	<b>00 2213 146 0</b>	TILT LEVER		4	
16	<b>00 2213 149 0</b>	VALVE TAPPET		8	
17	<b>00 2213 150 0</b>	HEXAGONAL NUT		8	
18	<b>00 2213 147 0</b>	TILT LEVER		4	
19	<b>00 2213 494 0</b>	BUSH		8	
19	<b>00 2213 148 0</b>	BUSHING		8	
20	<b>00 2213 158 0</b>	TILT LEVER		1	
21	<b>00 2213 159 0</b>	TILT LEVER		2	
22	<b>00 2213 160 0</b>	TILT LEVER		1	
23	<b>00 2213 163 0</b>	THREADED PIN		1	
24	<b>00 2213 151 0</b>	SPRING		3	
25	<b>00 2213 164 0</b>	SPRING		2	
28	<b>00 2213 165 0</b>	SPRING CLIP		2	
28	<b>00 2213 161 0</b>	PIN		3	
28	<b>00 2213 162 0</b>	SCREW		1	
29	<b>00 2213 132 0</b>	SEGMENT		2	
30	<b>00 2213 133 0</b>	COLLAR SCREW		4	
31	<b>00 2213 137 0</b>	SENDER UNIT		2	
32	<b>00 2213 141 0</b>	PIN		2	
33	<b>00 2213 139 0</b>	COMPRESS.SPRING		2	
34	<b>00 2213 162 0</b>	SCREW		1	
35	<b>00 2213 506 0</b>	SEAL KIT		1	
36	<b>00 2213 507 0</b>	SEAL KIT		1	

Thank you so much for reading.  
Please click the “Buy Now!”  
button below to download the  
complete manual.



After you pay.

You can download the most  
perfect and complete manual in  
the world immediately.

Our support email:

[ebooklibonline@outlook.com](mailto:ebooklibonline@outlook.com)