

1

Parts kit instruction

21820300

Power Exchange Long Engines

This PKI applies to 1100 Series three, four and six cylinder engines, models DC, DD, DE, DF, DG, DJ, DK, RE, RF, RG, RH, RJ, RK and VK. The Power Exchange Long Engine is supplied with a cylinder head and valve train with a protective cover. The long engine is supplied with the number one piston at top dead centre. This is to allow easier fuel pump assembly and timing. In all applications, the fuel injection gear will need to be transferred to the new long engine.

This long engine is supplied with a slave sump and slave cylinder head cover. The sump, oil suction pipe and cylinder head cover should be transferred from the original engine to the new long engine and the slave components that are supplied should be returned to the core engine. The slave sump and slave cylinder head cover must not be used in service.

A plate on the side of the cylinder block is stamped to indicate the crankshaft and bore size of the long engine. Crankshaft identification is also marked on the first lobe. The following suffixes apply: A = 0.010 undersize, B = 0.020 undersize and C = 0.030 undersize.

The three and four cylinder long engines may be supplied with oversize pistons and rings, the six cylinder engines are supplied with standard size liners, pistons and rings.

The assembled long engine is built to the latest specification and may have improved internal design features when compared to the original engine. To identify components, the long engine number is stamped on the engine serial number plate and must be used when long engine components are ordered.

To ensure that components that are moved from the original engine to the long engine continue to be correctly identified, it is important that the original engine serial number and Temporary Parts Listing (TPL) number are stamped onto the long engine serial number plate when the engine is fully assembled.

Some timing cases do not allow adjustment of the front seal position. If the crankshaft pulley has a groove worn in the spigot, it can be reconditioned with a crankshaft wear sleeve. For 1100 Series engines, use wear sleeve (Perkins part number 21820104). Refer to the Service Manual for the correct procedure to install the wear sleeve.

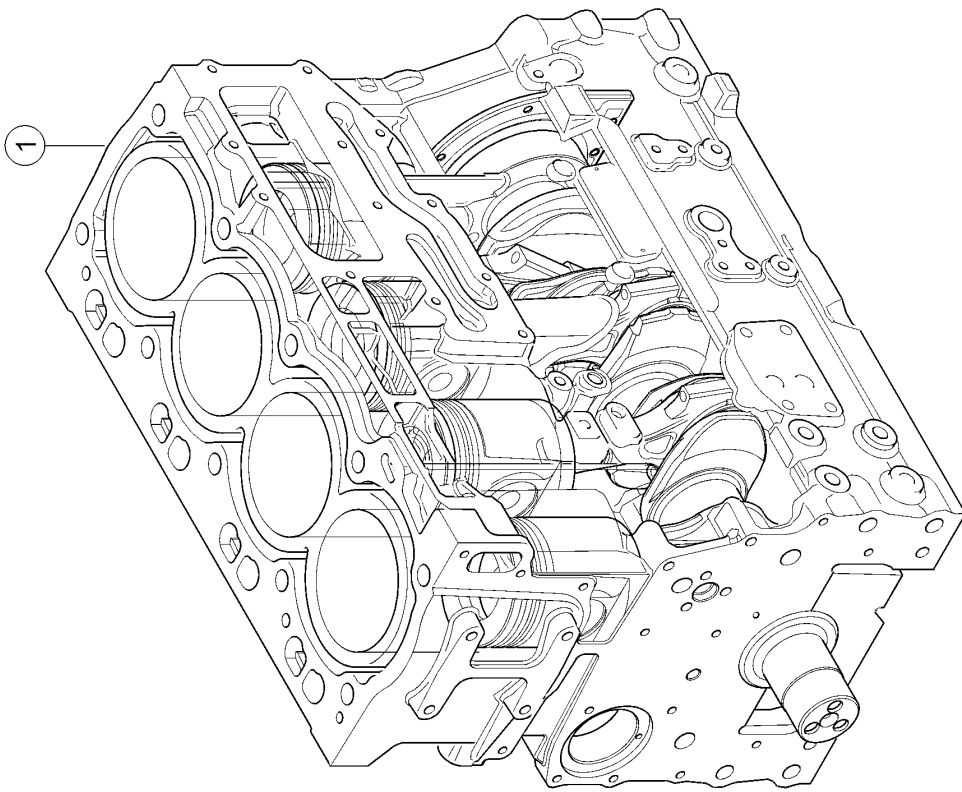
The contents that are shown on SP12 for these Power Exchange Long Engines are major components only, if you need to check what other part numbers are included please contact the Perkins Parts Helpdesk through your Perkins Distributor by email partshelpdesk@perkins.com.

End

Issued by Perkins Engines Company Limited 2013, Peterborough, England. © Proprietary information of Perkins Engines Company Limited 2013, all rights reserved. The information is correct at the time of going to press. This instruction is for technical information only and cannot be used as a basis for a warranty claim.

010 COMPLETE ENGINE 1)

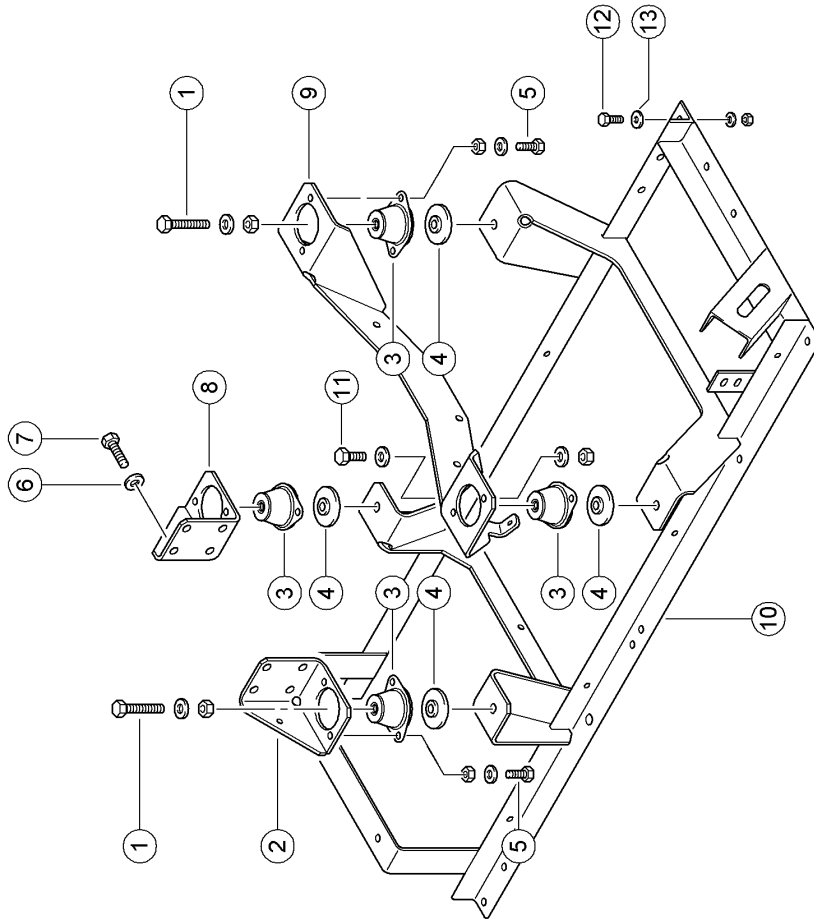
Pos.	Part No.	Description	Dimension	Quantity	Conditions
1	00 1998 118 0	ENGINE		1	2)
2	00 1998 128 0	ENGINE		1	
3	00 1998 095 0	CYLINDER HEAD		1	3)
1)	Equipment	MD_P02_0007	Perkins engine 1104A-44 56KW @2,200I/min		
2)	Remarks		with Item 2 - 3		
3)	Remarks		set		



010 COMPLETE ENGINE 1)

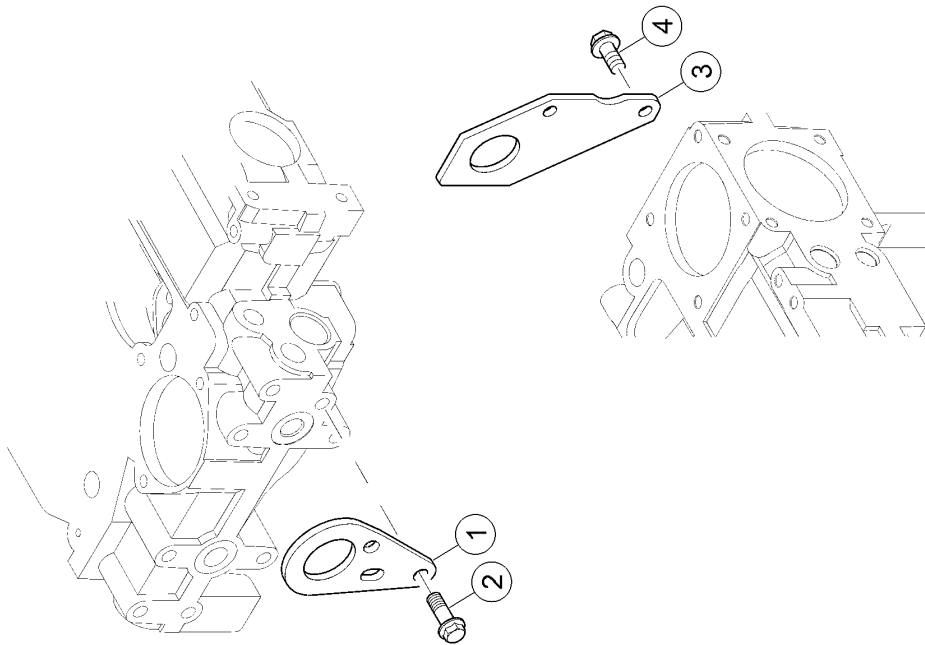
Pos.	Part No.	Description	Dimension	Quantity	Conditions
1	00 1998 128 0	ENGINE		1	2)
2	00 1998 146 0	CYLINDER BLOCK		1	3)
3	00 1137 071 0	SEALING RING		1	
4	00 1137 072 0	SCREW		10	
5	00 1137 045 0	BRACE		1	
6	00 1137 044 0	SCREW		2	
7	00 1152 480 0	CRANKSHAFT		1	
8	00 1998 119 0	PLUNGER		4	
10	00 1136 996 0	PLUG		1	
11	00 1136 985 0	SCREW		1	
12	00 1136 986 0	FLAT GASKET		1	
13	00 1136 984 0	PLUG		1	
1)	Equipment	MD_P02_0007	Perkins engine 1104A-44 56KW @2,200l/min		
2)	Remarks		with item 2 - 13		
3)	Remarks		set		

E0101 0105A100A 1



100 ENGINE SUSPENSION

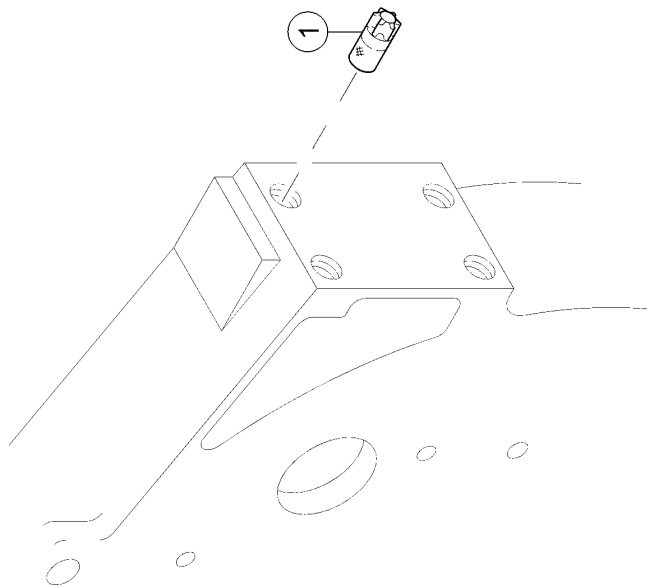
Pos.	Part No.	Description	Dimension	Quantity	Conditions
1	00 0235 560 0	HEXAGON HEAD BOLT	M12X80	4	
1	00 0239 389 0	CONTACT WASHER	A12	4	
1	00 0236 172 0	HEXAGONAL NUT	M12	4	
2	00 0798 343 0	BRACKET	6X195,3X214,8	1	
3	00 0798 450 0	RUBBER BEARING	102 X 57 SHORE 60 A	4	
4	00 0720 424 1	RECEIVER WINDOW	D60X11	4	
5	00 0237 382 0	HEXAGON HEAD BOLT	M10X20	8	
5	00 0239 388 0	CONTACT WASHER	A10-10,2X22,25X1,6	8	
5	00 0236 171 0	HEXAGONAL NUT	M10	8	
6	00 0239 389 0	CONTACT WASHER	A12	8	
7	00 0233 244 0	HEXAGON HEAD BOLT	M12X40-MKL	8	
8	00 0798 332 0	BRACKET	6X195,3X214,8	1	
9	00 0798 331 0	BRACKET	6X262,5X694	1	
10	00 0798 327 1	ENGINE MOUNTING		1	
11	00 0237 461 0	HEXAGON HEAD BOLT	M12X30	1	
11	00 0239 389 0	CONTACT WASHER	A12	2	
11	00 0239 418 0	HEXAGONAL NUT	M12	1	
12	00 0237 442 0	HEXAGON HEAD BOLT	M8X25	4	
12	00 0239 387 0	CONTACT WASHER	A8-8,2X18X1,4	4	
12	00 0236 170 0	HEXAGONAL NUT	M8	4	
13	00 0239 393 1	CONTACT WASHER	B 8 -8.2X22X1,9	4	



100 ENGINE SUSPENSION

Pos.	Part No.	Description	Dimension	Quantity	Conditions
1	00 1998 127 0	SUPPORT		1	1)
2	00 1137 332 0	SCREW		2	1)
3	00 1998 143 0	SUPPORT		1	1)
4	00 1137 332 0	SCREW		2	1)
<hr/>					
1)	Equipment	MD_P02_0007	Perkins engine 1104A-44 56KW @2,200I/min		

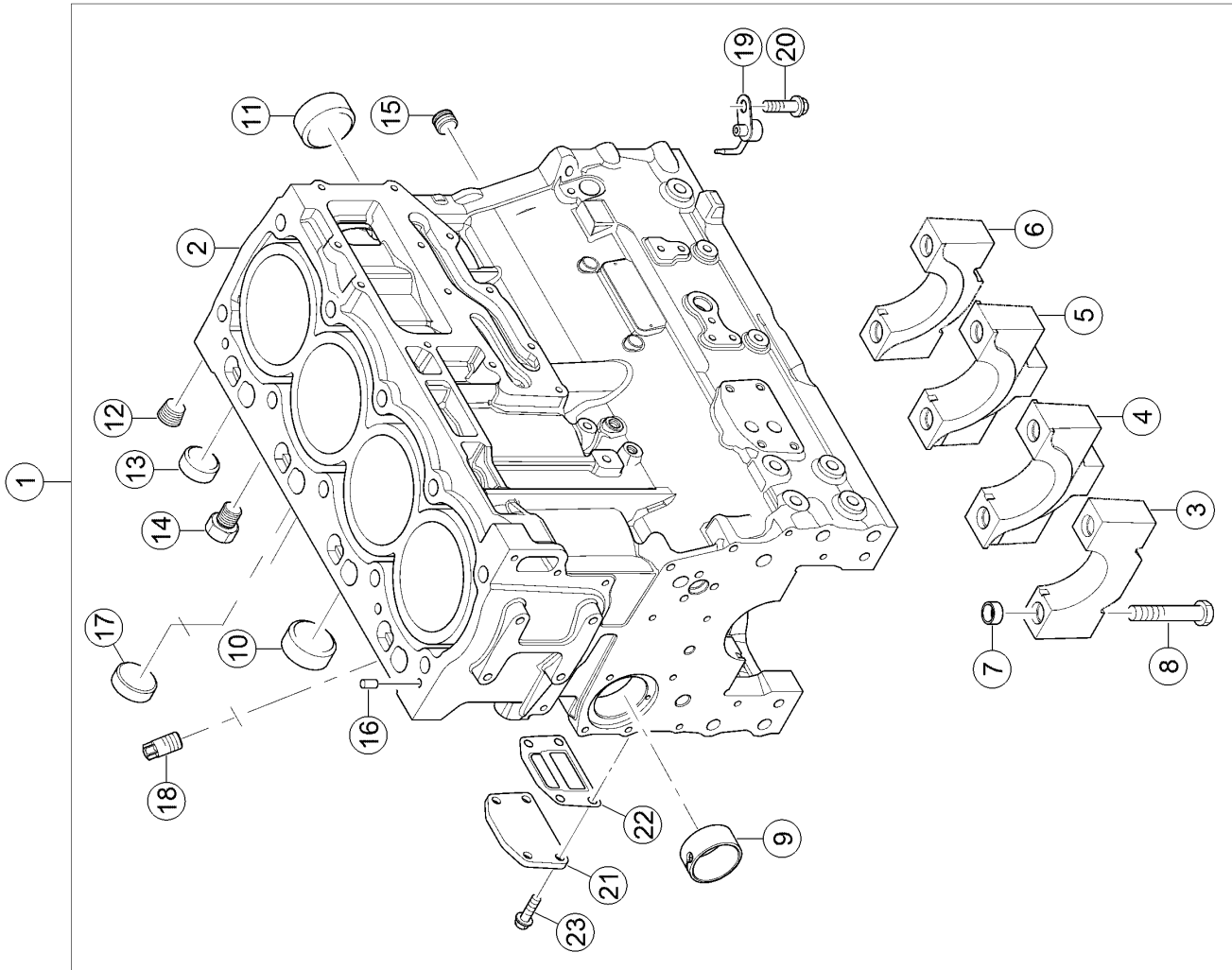
PKZCHR1175



100 ENGINE SUSPENSION

Pos.	Part No.	Description	Dimension	Quantity	Conditions
1	00 1998 079 0	PLUG		4	1)
1)	Equipment	MD_P02_0007	Perkins engine 1104A-44 56KW @2,200I/min		

PKACHR0092A



100 CRANKCASE 1)

Pos.	Part No.	Description	Dimension	Quantity	Conditions
1	00 1998 148 0	CYLINDER BLOCK		1	2)
7	77 0103 156 6	SPACER		10	
8	00 1136 987 0	SCREW		10	
9	00 1143 775 0	BEARING		1	
10	00 1136 994 0	PLUG		2	
11	00 1136 979 0	PLUG		1	
12	00 2486 700 7	PLUG		1	
13	01 2268 100 0	PLUG		1	
14	00 1136 995 0	PLUG		2	
15	00 1136 980 0	PLUG		1	
16	00 1136 993 0	LOCATING PIN		2	
17	00 1998 144 0	PLUG		1	
18	00 1998 145 0	PLUG		1	
19	00 1136 981 0	NOZZLE		4	
20	00 1136 983 0	SCREW		4	
21	00 1996 959 0	LOCKING PLATE		1	
22	00 1137 297 0	FLAT GASKET		1	
23	00 1137 210 0	SCREW		4	

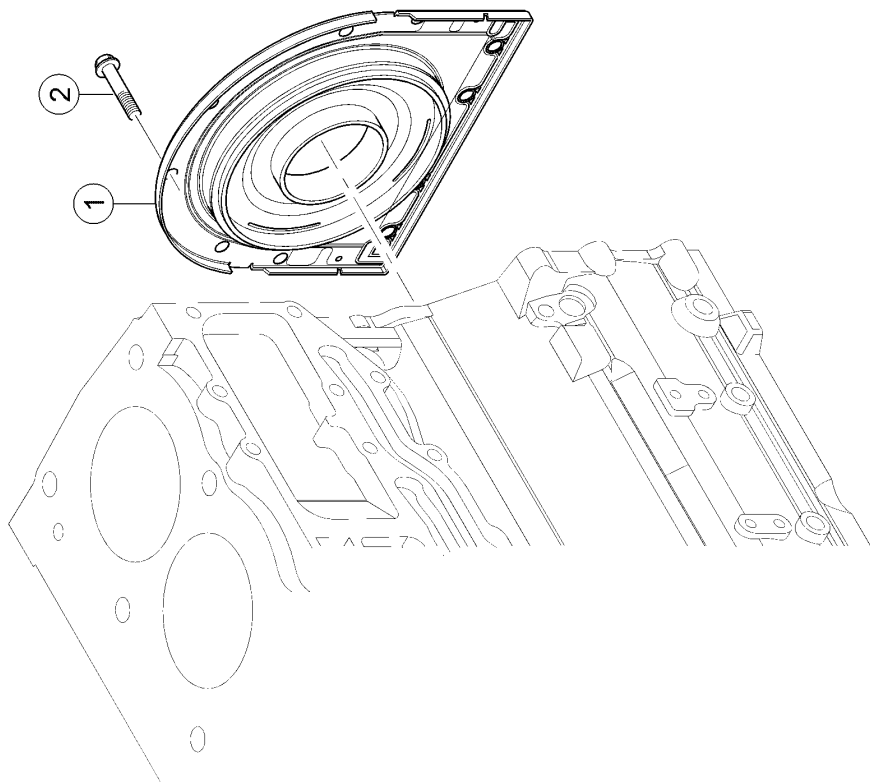
1) Equipment

MD_P02_0007

Perkins engine 1104A-44 56KW @2,200I/min

2) Remarks

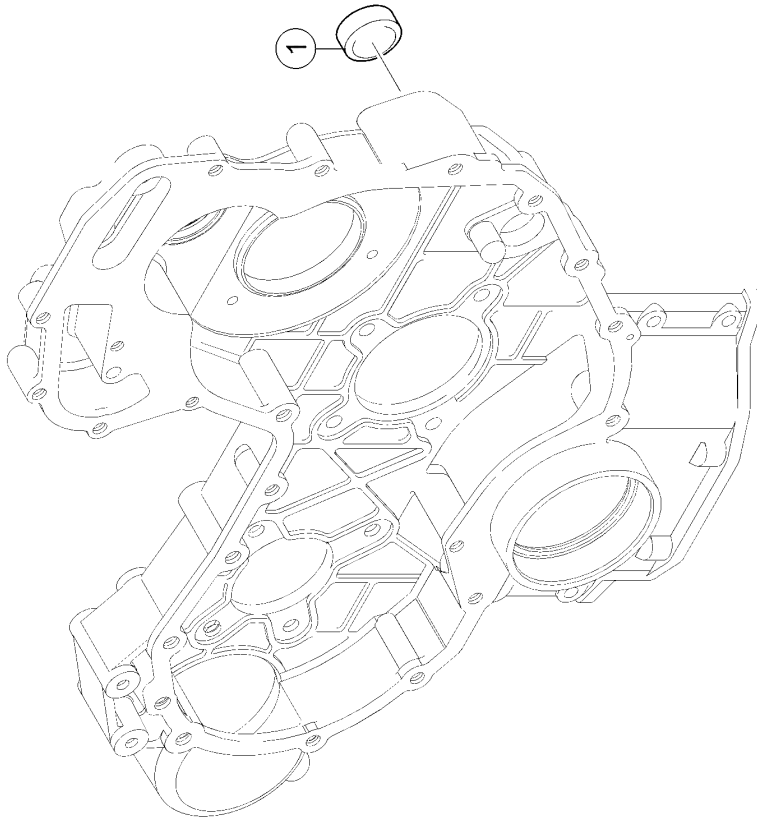
with Item 2 - 23



100 CRANKCASE 1)

Pos.	Part No.	Description	Dimension	Quantity	Conditions
1	00 1137 071 0	SEALING RING		1	
2	00 1137 072 0	SCREW		10	
<hr/>					
1)	Equipment				
		MD_P02_0007			Perkins engine 1104A-44 56KW @2,200l/min

PKHHR3282D



Thank you so much for reading.
Please click the “Buy Now!”
button below to download the
complete manual.



After you pay.

You can download the most
perfect and complete manual in
the world immediately.

Our support email:

ebooklibonline@outlook.com