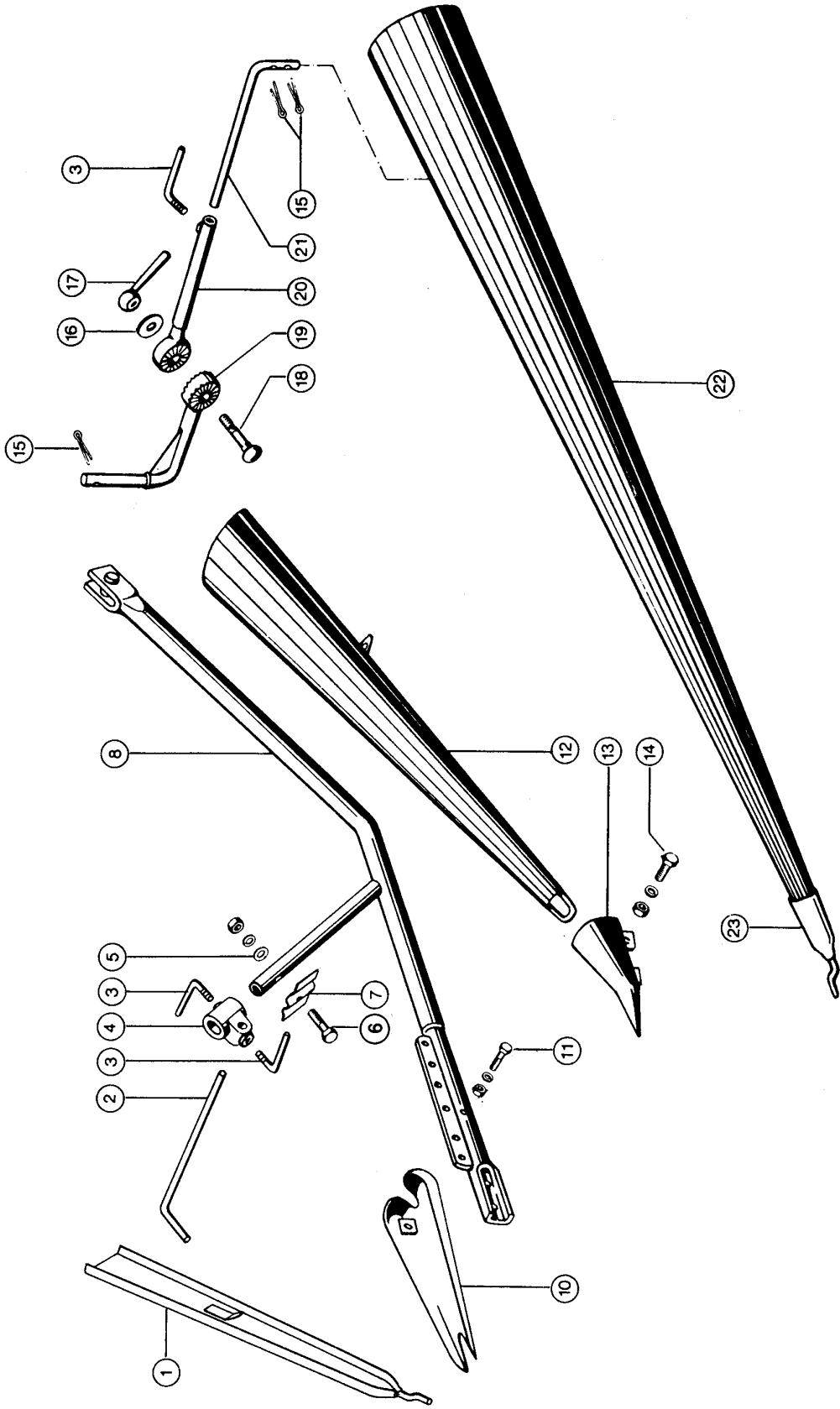


1

Dominator 106



CLAAS

DIVIDER, VAR. 2556 (LOMG) AND VAR. 2527 (SHORT)

Pos.	Part No.	Description	Dimension	Quantity	Conditions
1	00 0612 558 1	INT.DIVIDER LONG	870 LANG	2	1)
1	00 0610 245 1	INT.DIVIDER LONG		2	2)
1	00 0612 579 0	INT.DIVIDER SHORT	600 LANG	2	3)
1	00 0616 210 1	INT.DIVIDER SHORT		2	2)
2	00 0616 214 1	ADJUSTING ROD	D 12X490	2	
3	00 0500 924 2	TOMMY SCREW	M 12	6	
4	00 0609 887 0	CROSS BEARING		2	
5	00 0236 913 2	FLAT WASHER	10-10,5X20X2	4	
6	00 0235 533 0	HEX.HEAD BOLT	M10X45	4	
6	00 0236 171 0	HEXAGONAL NUT	M10	4	
6	00 0239 388 0	CONTACT WASHER	A10-10,2X22,25X1,6	4	
7	00 0609 888 1	INTERMED.PIECE	1,5X37X58	4	
8	00 0609 893 1	DIVIDER SUPP.TUBE	1800 LG	2	
8	00 0609 867 1	DIVIDER SUPP.TUBE	1540 LG	2	
10	00 0610 236 0	GLIDE SKID		2	
11	00 0235 519 0	HEXAGON HEAD BOLT	M 8X50	2	
11	00 0236 170 0	HEXAGONAL NUT	M8	2	
11	00 0239 387 0	CONTACT WASHER	A8-8,2X18X1,4	2	
12	00 0674 389 3	CENTR. SEPARAT.	1160 LANG	2	
12	00 0670 372 2	DIVIDER CEN.PLATE	840 LANG	2	
13	00 0520 020 0	DIVIDER POINT	.	2	
14	00 0237 383 0	HEXAGON HEAD BOLT	M10X25	4	
14	00 0236 171 0	HEXAGONAL NUT	M10	4	
14	00 0239 388 0	CONTACT WASHER	A10-10,2X22,25X1,6	4	
15	00 0235 097 0	SPLIT PIN	5X36	6	
16	00 0233 575 0	WASHER	13X40X3	2	
17	00 0504 504 0	HANDLE	N 100	2	
18	00 0238 913 0	COACH BOLT	M12X 60	2	
19	00 0609 873 0	ADJUSTING PLATE		2	
20	00 0609 876 0	ADJUSTING TUBE	625 LANG	2	
20	00 0609 861 0	ADJUSTING TUBE	330 LANG	2	
21	00 0610 209 0	ADJUSTING ROD	D20X660	2	
21	00 0610 278 0	ADJUSTING ROD	300 LANG	2	
22	00 0609 885 2	OUTER DIVIDER		2	
22	00 0610 274 3	PUSH SWITCH		2	
23	00 0610 268 1	STRIPPER POINT	GG 18	2	4)

1) Remarks from cutterbar 225906

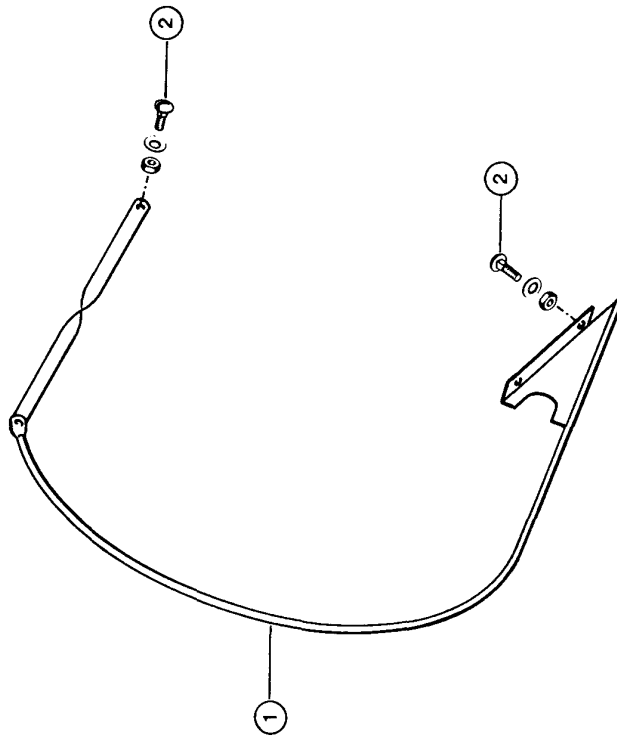
2) Remarks BIS SCHNEIDW. 225905

3) Remarks AB SCHNEIDWERK 225906

4) Remarks to cutterbar 228750

2

Dominator 106



CLAAS

DOMINATOR 106

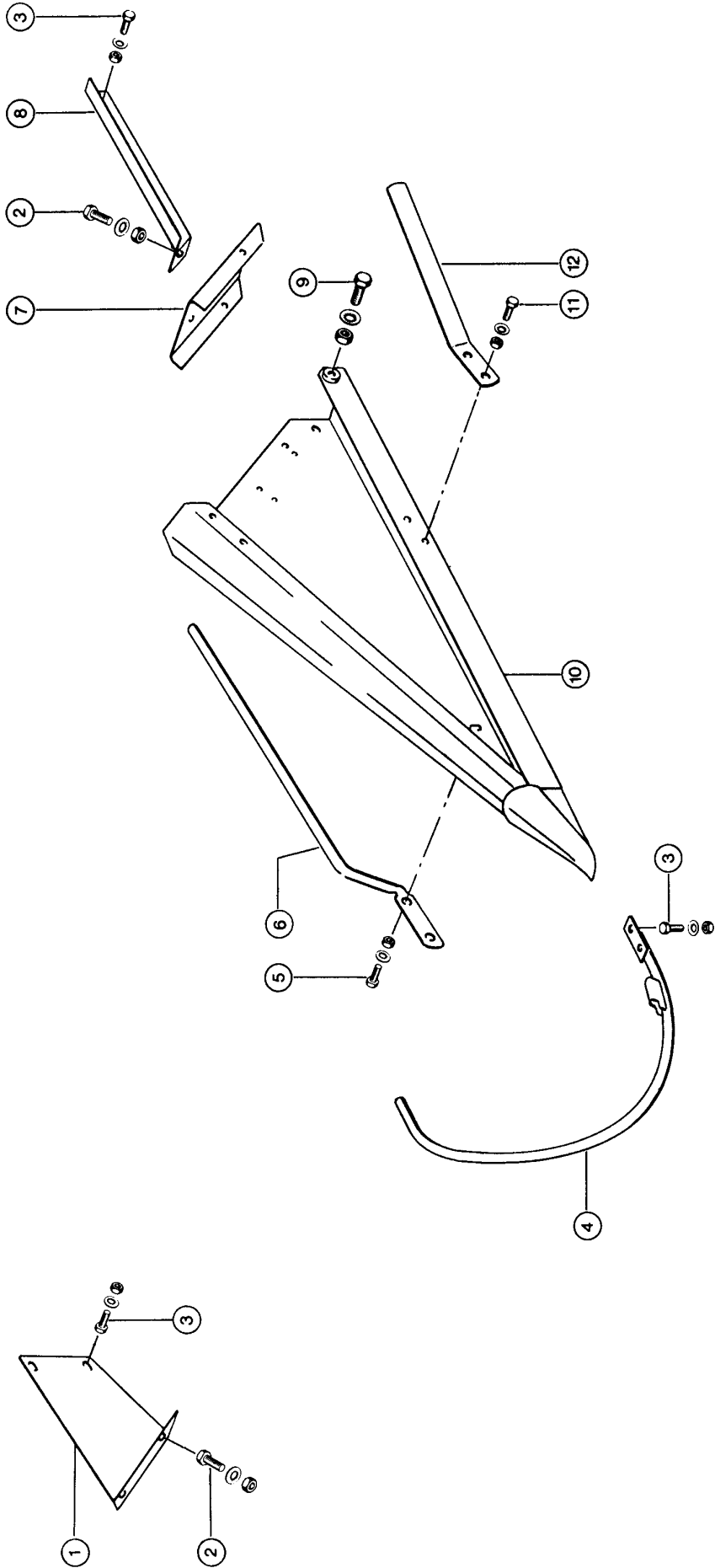
100288

HOOP DIVIDER, VAR. 2591 1)

Pos.	Part No.	Description	Dimension	Quantity	Conditions
1	00 0674 392 0	BEND DIVIDER		2	
2	00 0502 511 0	COACH BOLT	M10X25X20-F=3	6	
2	00 0236 171 0	HEXAGONAL NUT	M10	6	
2	00 0239 394 1	CONTACT WASHER	B10	6	
1)	Remarks		OPTION BIS BAUJAHR 1983		

2A

CLAS



Dominator 106

100289

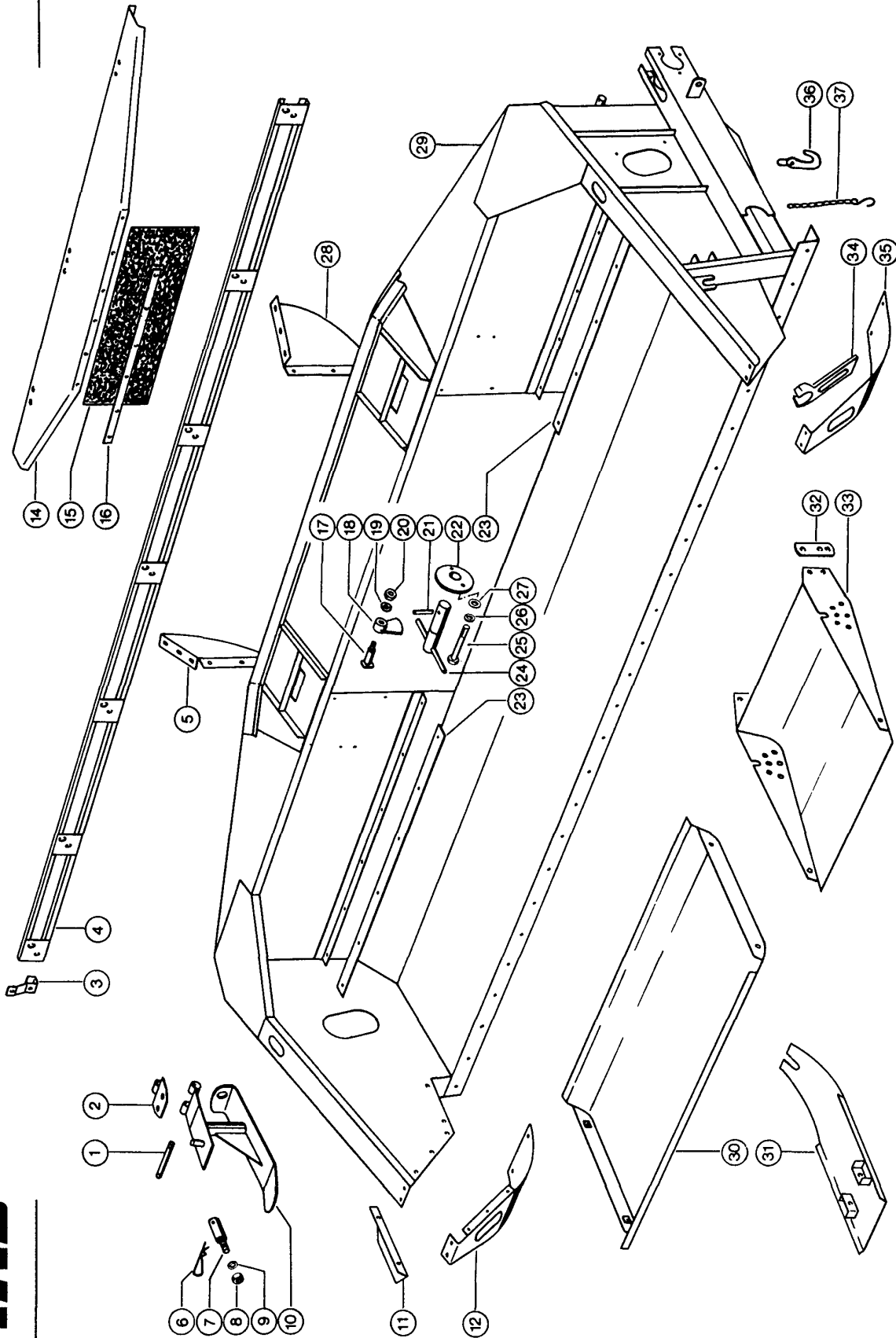
CPECIAL CROP DIVIDER, VAR. 4282 1)

Pos.	Part No.	Description	Dimension	Quantity	Conditions
1	00 0688 980 0	SUPPORT R.H.	4X156X381,5	1	2)
2	00 0237 423 0	HEXAGON HEAD BOLT	M10X28	3	
2	00 0236 171 0	HEXAGONAL NUT	M10	3	
2	00 0239 388 0	CONTACT WASHER	A10-10,2X22,25X1,6	3	
3	00 0237 442 0	HEXAGON HEAD BOLT	M8X25	6	
3	00 0236 170 0	HEXAGONAL NUT	M8	6	
3	00 0239 387 0	CONTACT WASHER	A8-8,2X18X1,4	6	
4	00 0688 025 0	BEND DIVIDER		2	
5	00 0234 953 0	COACH BOLT	M8X20X13	4	
5	00 0236 170 0	HEXAGONAL NUT	M8	4	
5	00 0239 387 0	CONTACT WASHER	A8-8,2X18X1,4	4	
6	00 0688 975 1	DEFLECTOR INNER		2	
7	00 0688 974 0	SUPPORT	4X161X200	2	
8	00 0688 977 0	SUPPORT L.H.		1	3)
9	00 0236 056 0	HEXAGON HEAD BOLT	M12X25	4	
9	00 0236 172 0	HEXAGONAL NUT	M12	4	
9	00 0239 389 0	CONTACT WASHER	A12	4	
10	00 0688 969 1	DIVIDER L.H.		1	
10	00 0688 970 1	DIVIDER R.H.		1	
11	00 0237 439 0	HEXAGON HEAD BOLT	M8X16	4	
11	00 0236 170 0	HEXAGONAL NUT	M8	4	
11	00 0239 387 0	CONTACT WASHER	A8-8,2X18X1,4	4	
12	00 0688 976 0	DEFLECTOR OUTER	3,0X0030X0400	2	

1) Remarks	OPTION AB BAUJAHR 1984
2) Remarks	for right side
3) Remarks	for left side

3

Dominator 106



CLASH

CUTTERBAR DRIVE

Pos.	Part No.	Description	Dimension	Quantity	Conditions
1	00 0677 758 0	PIN	15H9X 88	1	1)
2	00 0677 752 1	SUPPORTING PLATE		1	1)
3	00 0677 803 2	SUPPORT	25X5X154	4	
4	00 0688 168 0	KNIFE SUPPORT	3,9 M	1	2)
4	00 0690 492 0	KNIFE SUPPORT	4,2 M	1	3)
4	00 0688 169 0	KNIFE SUPPORT	4,5 M	1	4)
4	00 0688 170 0	KNIFE SUPPORT	5,1 M 17°	1	5)
4	00 0688 171 0	KNIFE SUPPORT	5,7 M 19°	1	6)
5	00 0670 152 3	GUSSET PLATE R.H.	5X390X261	1	
6	00 0673 749 0	SPRING CLIP	4,5X90	1	1)
7	00 0765 233 0	BEARING BOLT	D20X 65	1	1)
8	00 0236 172 0	HEXAGONAL NUT	M12	1	1)
9	00 0239 389 0	CONTACT WASHER	A12	1	1)
10	00 0677 749 2	SUPPORT		1	1)
11	00 0604 253 1	GUARD PLATE R.H.	1,5X124X280	1	
12	00 0670 066 4	OUTER SHOE RH.	5X126X836	1	1)
12	00 0670 352 1	OUTER SHOE RH.	5X126X904	1	7)
12	00 0676 136 1	OUTER SHOE RH.	5X125X873	1	8)
14	00 0688 102 3	DUST SHIELD	1,5X265X1400	1	9)
14	00 0688 101 1	DUST SHIELD		1	10)
15	00 0688 104 0	RUBBER PROTECTION	1,5X200X580	1	11)
16	00 0688 106 0	COUNTER STRIP	16X2X570	1	11)
17	00 0653 251 1	PIN	16XH11X19X36	2	
18	00 0670 155 2	FUSE		2	
19	00 0239 389 0	CONTACT WASHER	A12	2	
20	00 0236 172 0	HEXAGONAL NUT	M12	2	
21	00 0244 578 0	SPRING PIN	10 X 40 -ST	2	
22	00 0670 156 1	GUIDE		2	
23	00 0670 074 2	STRIPPER	3X35X1170	2	2)
23	00 0690 497 0	STRIPPER	3X35X1322	2	3)
23	00 0670 282 2	STRIPPER	3X35X1475	2	4)
23	00 0674 251 2	STRIPPER	3X35X1780	2	5)
23	00 0674 304 2	STRIPPER L.H.	1685 LANG	1	6)
23	00 0674 305 2	STRIPPER R.H.	2485 LANG	1	6)
24	00 0670 160 2	BOLT		2	
25	00 0237 820 0	HEXAGON HEAD BOLT	M12X90	4	
25	00 0237 453 0	HEXAGON HEAD BOLT	M10X30	4	
26	00 0239 389 0	CONTACT WASHER	A12	4	
27	00 0235 124 3	FLAT WASHER	12- 13X24X2,5	16	
28	00 0688 098 1	GUSSET PLATE L.H.	ERS.D.6880982	1	
29	00 0677 702 1	TROUGH	3,90M	1	1)
29	00 0690 807 0	TROUGH	4,20M S	1	12)
29	00 0677 704 5	TROUGH	4,50M	1	12)
29	00 0677 706 4	TROUGH	5,10M S	1	12)
29	00 0680 680 5	TROUGH		1	12)
29	00 0677 701 2	TROUGH		1	7)
29	00 0677 703 4	TROUGH		1	7)
29	00 0677 705 3	TROUGH		1	7)
29	00 0676 080 3	TROUGH		1	7)
30	00 0673 781 4	SKID SHOE		1	1)
31	00 0673 787 0	SKID SHOE	.KURZE M.	6	13)
31	00 0676 130 0	SKID		7	8)
32	00 0603 899 1	CONNECTING PLATE	30X10X98	4	1)
33	00 0603 902 0	SKID SHOE		2	1)

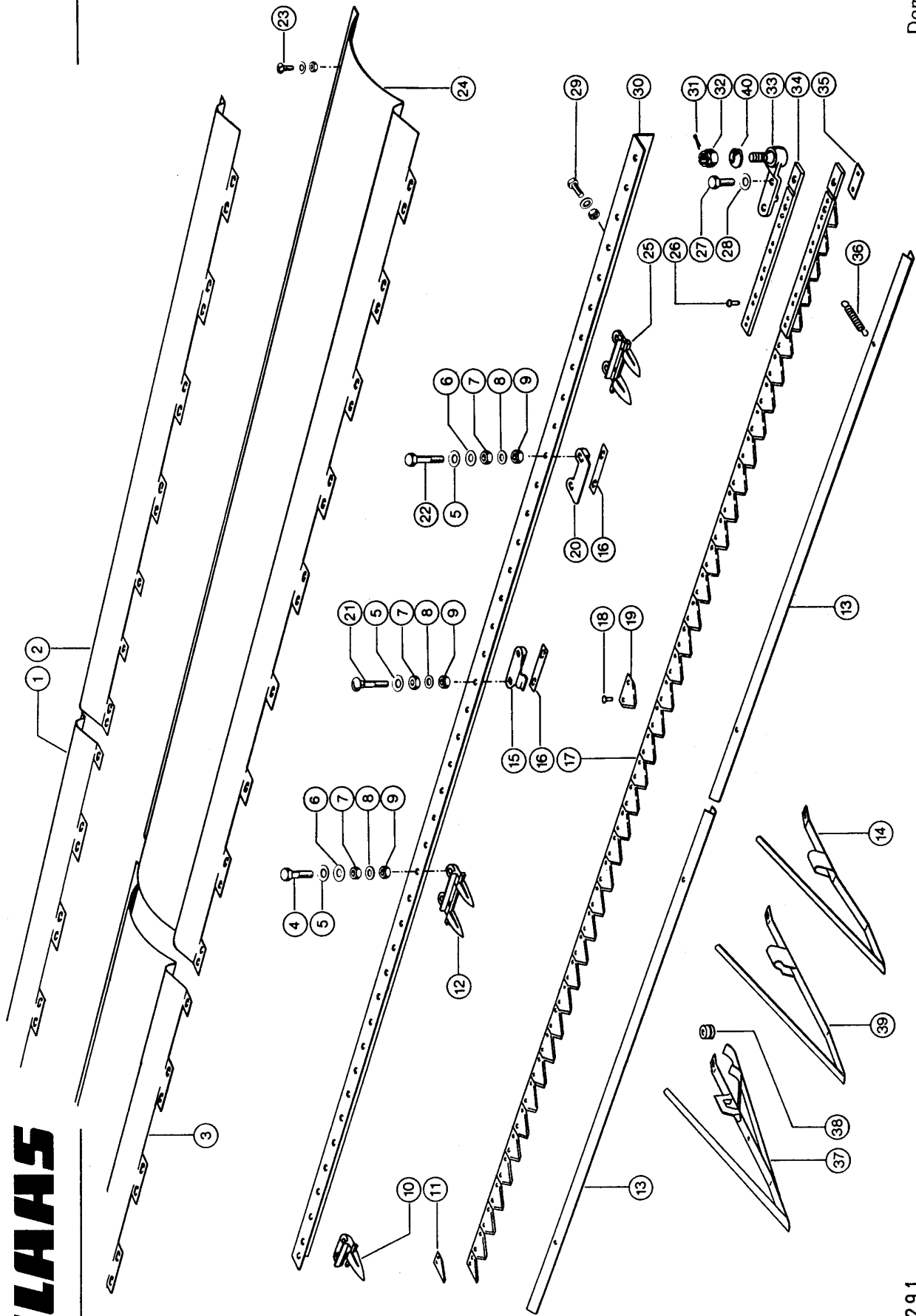
CUTTERBAR DRIVE

Pos.	Part No.	Description	Dimension	Quantity	Conditions
34	00 0603 868 1	DIVIDER SUPPORT		2	
35	00 0670 065 3	OUTER SHOE LH.	5X223X836	1	1)
35	00 0670 351 0	OUTER SHOE LH.	23X904	1	7)
35	00 0676 135 0	OUTER SHOE LH.	23X873	1	8)
36	00 0641 214 0	HOOK		1	
37	00 0673 763 0	LOCK CHAIN		2	
1)	Remarks	at long. cutterbar			
2)	Remarks	at 3.9 m cutterbar			
3)	Remarks	BEI 4,2 M SCHNEIDWERK			
4)	Remarks	BEI 4,5 M SCHNEIDWERK			
5)	Remarks	BEI 5,1 M SCHNEIDWERK			
6)	Remarks	BEI 5,7 M SCHNEIDWERK			
7)	Remarks	BEI KURZ. SCHNEIDWERK			
8)	Remarks	BEI 5,7 M. KURZ			
9)	Remarks	from cutterbar 246000			
10)	Remarks	BIS SCHNEIDW. 245999			
11)	Remarks	to cutterbar 245999			
12)	Remarks	BEI LANG. SCHNEIDWERK			
13)	Remarks	at short cutterbar			

4

CLAAS

Dominator 106



100291

CUTTER BAR 1)

Pos.	Part No.	Description	Dimension	Quantity	Conditions
1	00 0673 771 0	GUIDING PLATE	1,5X150X1297	1	2)
1	00 0670 354 0	GUIDING PLATE	1,5X150X1907	1	3)
1	00 0674 250 0	GUIDING PLATE	1,5X150X610	1	4)
1	00 0676 138 0	GUIDE PLATE	X251X1220	1	5)
1	00 0676 139 0	GUIDE PLATE	X251X1907	1	5)
2	00 0670 353 0	GUIDING PLATE	1,5X150X2638	1	6)
2	00 0676 137 0	GUIDE PLATE	X251X2638	1	5)
3	00 0677 098 0	GUIDING PLATE	1,5X478X1297	1	7)
3	00 0690 466 0	GUIDING PLATE	1,5X478X1602	1	8)
3	00 0677 099 0	GUIDING PLATE	1,5X0478X1907	1	9)
3	00 0677 198 0	GUIDING PLATE	1,5X478X610	1	10)
3	00 0677 199 0	GUIDE PLATE	1,5X478X1220	1	11)
4	00 0235 534 1	HEXAGON HEAD BOLT	M10X50X29	26	
5	00 0239 388 0	CONTACT WASHER	A10-10,2X22,25X1,6	42	
6	00 0238 292 0	WASHER	10,5X 22 X1	22	
7	00 0236 171 0	HEXAGONAL NUT	M10	42	
8	00 0236 831 0	WASHER	10,5X25X2	42	
9	00 0237 947 0	HEX. NUT WITH CLAMP. PART	M10	42	
10	00 0676 241 4	END FINGER		1	
11	00 0611 204 1	KNIFE SECTION		1	12)
11	00 0611 317 0	KNIFE SECTION		1	13)
11	00 0676 233 1	KNIFE SECTION		1	14)
11	00 0611 319 0	KNIFE SECTION PL.		1	15)
11	00 0676 240 0	KNIFE SECTION PL.		1	14)
12	00 0676 235 3	DOUBLE FINGER		20	16)
13	00 0770 489 0	SAFETY BAR	2X46,5X1800	1	
13	00 0770 488 0	SAFETY BAR	2 X 46,5X2100	1	
13	00 0770 490 0	SAFETY BAR	2 X 46,5X2400	1	
13	00 0610 059 0	SAFETY BAR	2X46,5X3020	1	
14	00 0610 272 3	CROP LIFTER		1	17)
14	00 0610 290 2	CROP LIFTER		1	18)
15	00 0676 236 0	PRESSURE THUMB		10	19)
16	00 0673 753 1	SHIM		68	20)
17	00 0611 222 2	MOWER KNIFE,SERRATED		1	21)
17	00 0676 307 2	MOWER KNIFE, SERRATED		1	22)
17	00 0676 306 1	MOWER KNIFE, PLAIN		1	23)
17	00 0611 022 0	MOWER KNIFE,SERRATED		1	24)
17	00 0690 476 0	KNIFE, SERRATED		1	25)
17	00 0611 213 2	MOWER KNIFE,SERRATED		1	26)
17	00 0676 237 2	MOWER KNIFE, SERRATED		1	27)
17	00 0676 321 1	MOWER KNIFE, PLAIN		1	28)
17	00 0611 214 2	MOWER KNIFE,SERRATED		1	29)
17	00 0676 230 2	KNIFE, SERRATED		1	30)
17	00 0676 322 1	MOWER KNIFE, PLAIN		1	31)
17	00 0611 215 2	KNIFE,SERRATED		1	32)
17	00 0676 238 2	KNIFE, SERRATED		1	33)
17	00 0676 323 1	MOW BLADE, PLAIN		1	34)
18	00 0237 663 0	COUNTERSUNK RIVET	6X17	1	
19	00 0611 203 1	KNIFE SECTION		1	12)
19	00 0611 316 0	KNIFE SECTION		1	13)
19	00 0676 234 1	KNIFE SECTION		1	14)
19	00 0611 318 0	KNIFE SECTION PL.		1	15)
19	00 0676 239 0	KNIFE SECTION PL.		1	14)
20	00 0613 017 2	KNIFE CLIP		2	

CUTTER BAR 1)

Pos.	Part No.	Description	Dimension	Quantity	Conditions
21	00 0236 462 0	COACH BOLT	M10X60	20	16)
22	00 0237 808 0	HEXAGON HEAD BOLT	M10X75	4	
23	00 0665 564 1	COACH BOLT	M6X12	5	
23	00 0236 169 0	HEXAGONAL NUT	M6	5	
23	00 0239 386 0	CONTACT WASHER	A 6	5	
24	00 0677 096 0	GUIDING PLATE	1,5X0478X2634	1	35)
25	00 0676 249 1	DOUBLE FINGER		4	
26	00 0237 054 0	COUNTERSUNK RIVET	6 X30	14	
26	00 0237 664 0	COUNTERSUNK RIVET	6X20	3	
27	00 0236 056 0	HEXAGON HEAD BOLT	M12X25	2	
28	00 0239 389 0	CONTACT WASHER	A12	2	
29	00 0237 383 0	HEXAGON HEAD BOLT	M10X25	15	
29	00 0236 171 0	HEXAGONAL NUT	M10	15	
29	00 0239 388 0	CONTACT WASHER	A10-10,2X22,25X1,6	15	
30	00 0673 774 1	KNIFE CUTTERBAR	50X50X4220	1	36)
30	00 0690 475 0	KNIFE CUTTERBAR	50X50X7X4510	1	37)
30	00 0673 752 2	KNIFE CUTTERBAR	50X50X7X4815	1	28)
30	00 0674 256 1	KNIFE CUTTERBAR	50X50X7X5440	1	31)
30	00 0674 307 2	KNIFE CUTTERBAR	50X50X7X6035	1	34)
31	00 0235 090 0	SPLIT PIN	4 X 28	1	
32	00 0244 455 0	CASTELLATED NUT	M16X1,5	1	
33	00 0670 120 1	BALL JOINT	27 X 25	1	
34	00 0676 231 0	CONNCETION-STEEL		1	
35	00 0676 232 0	GUIDE	ERS.D.616286.0	1	
36	00 0610 049 0	TENSION SPRING	2 X 16,5X 65	4	
37	00 0176 044 0	CROP LIFTER		1	38)
38	00 0176 045 0	CROP LIFTER		1	38)
39	00 0610 294 3	CROP LIFTER		1	38)
40	00 0645 370 0	RUBBER CAP	D 37	1	

1) Remarks	* = AB SCHNEIDWERK 242593 + = BIS SCHNEIDWERK 242592
2) Remarks	at 3.9 m. short
3) Remarks	BEI 4,5 + 5,1 M. KURZ
4) Remarks	BEI 5,1 M. KURZ
5) Remarks	BEI 5,7 M. KURZ
6) Remarks	at 3.9 - 5.1 m. short
7) Remarks	at 3.9 m. long
8) Remarks	BEI 4,2 M. LANG
9) Remarks	BEI 4,5 - 5,7 M. LANG
10) Remarks	BEI 5,1 M. LANG
11) Remarks	BEI 5,7 M. LANG
12) Remarks	from cutterbar 242593
13) Remarks	NR. 225308 - 242592
14) Remarks	BIS SCHNEIDW. 225307
15) Remarks	AB SCHNEIDWERK 225308
16) Remarks	(22, 26, 30, 34)
17) Remarks	from cutterbar 242530
18) Remarks	BIS SCHNEIDW. 242529

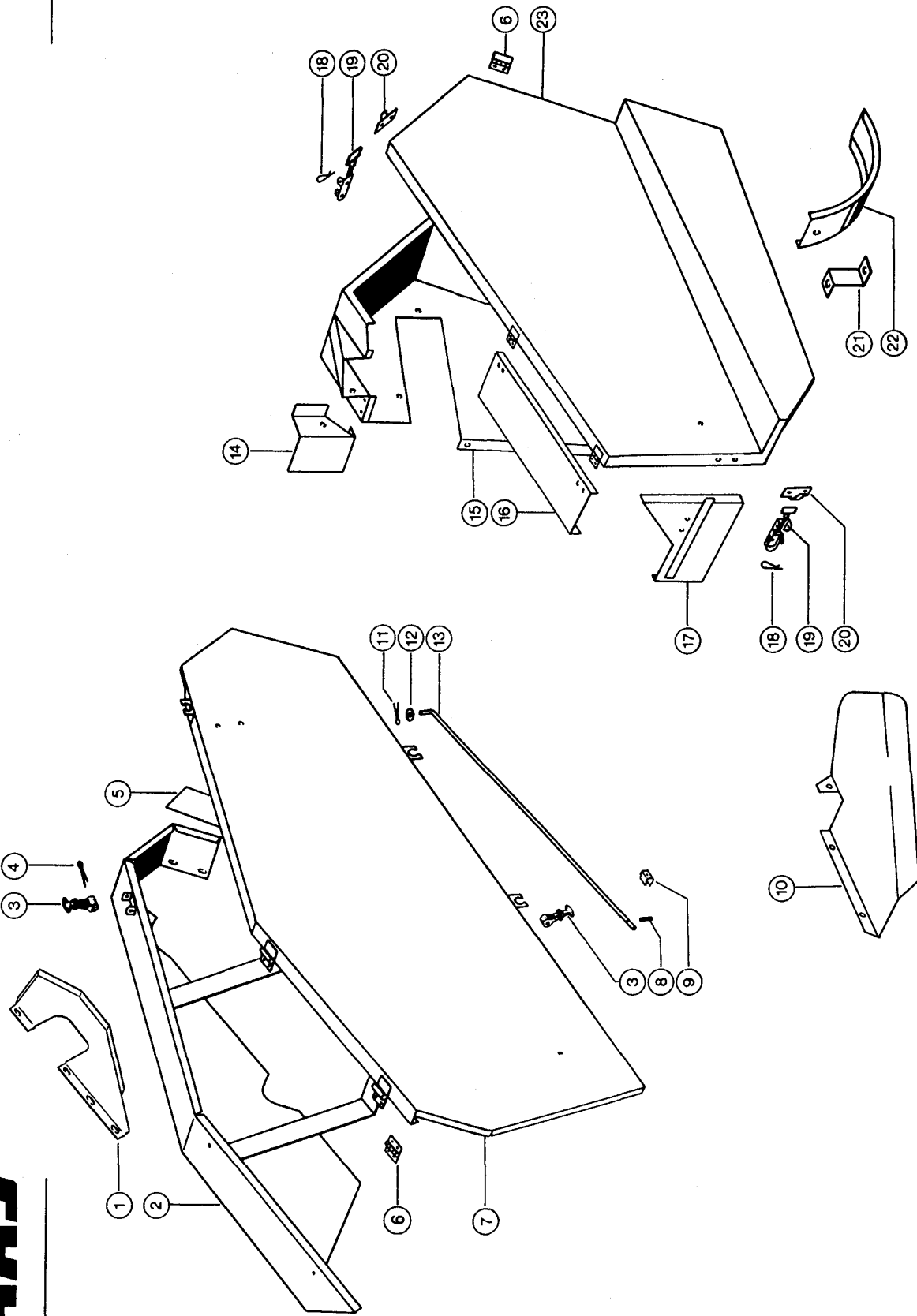
CUTTER BAR 1)

19) Remarks	(11, 13, 15, 17)
20) Remarks	(76, 92, 100, 108)
21) Remarks	at 3.9 m cutterbar *
22) Remarks	BEI 3,9 M SCHNEIDW. +
23) Remarks	BEI 3,9 M SCHNEIDWERK
24) Remarks	BEI 4,2 M SCHNEIDW. *
25) Remarks	BEI 4,2 M SCHNEIDW. +
26) Remarks	BEI 4,5 M SCHNEIDW. *
27) Remarks	BEI 4,5 M SCHNEIDW9 +
28) Remarks	BEI 4,5 M SCHNEIDWERK
29) Remarks	BEI 5,1 M SCHNEIDW. *
30) Remarks	BEI 5,1 M SCHNEIDW. +
31) Remarks	BEI 5,1 M SCHNEIDWERK
32) Remarks	BEI 5,7 M SCHNEIDW. *
33) Remarks	BEI 5,7 M SCHNEIDW. +
34) Remarks	BEI 5,7 M SCHNEIDWERK
35) Remarks	at long. cutterbar
36) Remarks	at 3.9 m cutterbar
37) Remarks	BEI 4,2 M SCHNEIDWERK
38) Remarks	optional

5

Dominator 106

CLAAS



100292

CUTTERBAR GUARD

Pos.	Part No.	Description	Dimension	Quantity	Conditions
1	00 0674 368 2	COVER	1,5X547,5X211	1	
2	00 0674 353 4	COVER	S	1	
3	00 0804 951 0	HOOD HOLDER	64 X 40 X 16	3	
4	00 0236 096 0	SPLIT PIN	5 X 28	3	
5	00 0677 814 1	COVER PLATE	1,5X100X180	1	
6	00 0725 773 0	HINGE	48X 45	4	
7	00 0674 350 2	GUARD		1	
8	00 0237 783 0	SPRING PIN	3 X 16	2	1)
9	00 0652 433 0	CLAMP SPRING	12X18X15X0,75	2	1)
10	00 0680 217 1	GUARD		1	2)
10	00 0674 381 1	GUARD		1	3)
11	00 0235 112 0	SPLIT PIN	3,2X 12	2	1)
12	00 0236 912 2	FLAT WASHER	8 - 8,4X16X1,6	2	1)
13	00 0674 377 0	SUPPORT	D7,75X817	2	1)
14	00 0677 816 2	COVER PLATE	1,5X176X172	1	
15	00 0688 870 0	REAR PANEL	S	1	
16	00 0675 247 0	SUPPORT	3X175X450	1	4)
17	00 0688 873 0	SUPPORT PLATE		1	
18	00 0801 834 0	ATT.CLIP SPRING	3X 90	3	
19	00 0659 176 0	LOCK	115X20 46-57	3	
20	00 0604 447 0	SUPPORT	3X60X43	3	
21	00 0674 383 0	SUPPORT	6,5X40X171	1	
22	00 0674 382 0	GUARD SHORT		1	
23	00 0675 237 0	COVER		1	4)
23	00 0688 871 0	IS SUBSTITUTED		1	5)

1)	Remarks	(1)
2)	Remarks	from cutterbar 228244
3)	Remarks	BIS SCHNEIDW. 228243
4)	Remarks	from cutterbar 222144
5)	Remarks	BIS SCHNEIDW. 222143

Thank you so much for reading.
Please click the “Buy Now!”
button below to download the
complete manual.



After you pay.

You can download the most
perfect and complete manual in
the world immediately.

Our support email:

ebooklibonline@outlook.com