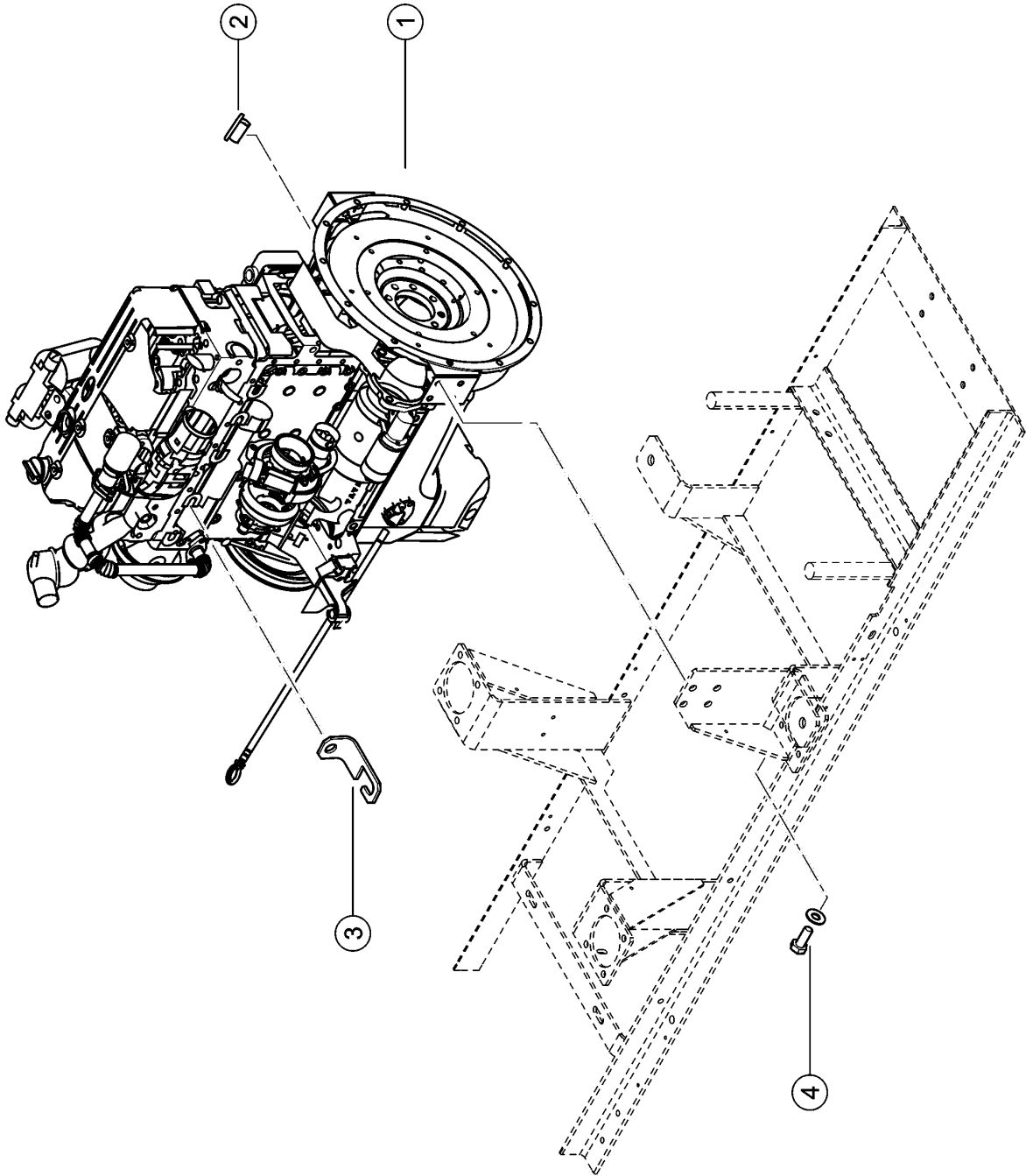
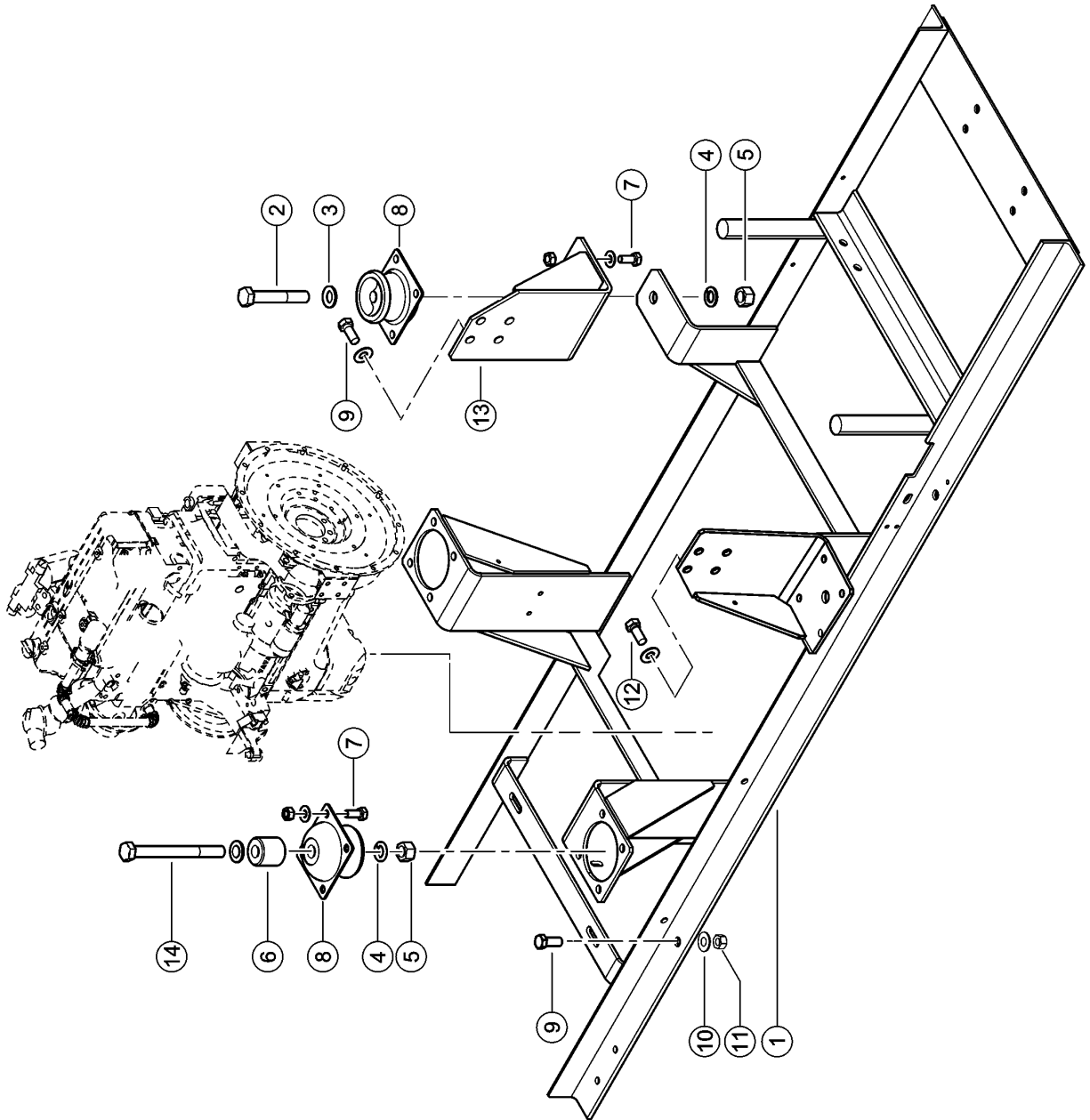


E0386 0102A010A 1



010 COMPLETE ENGINE

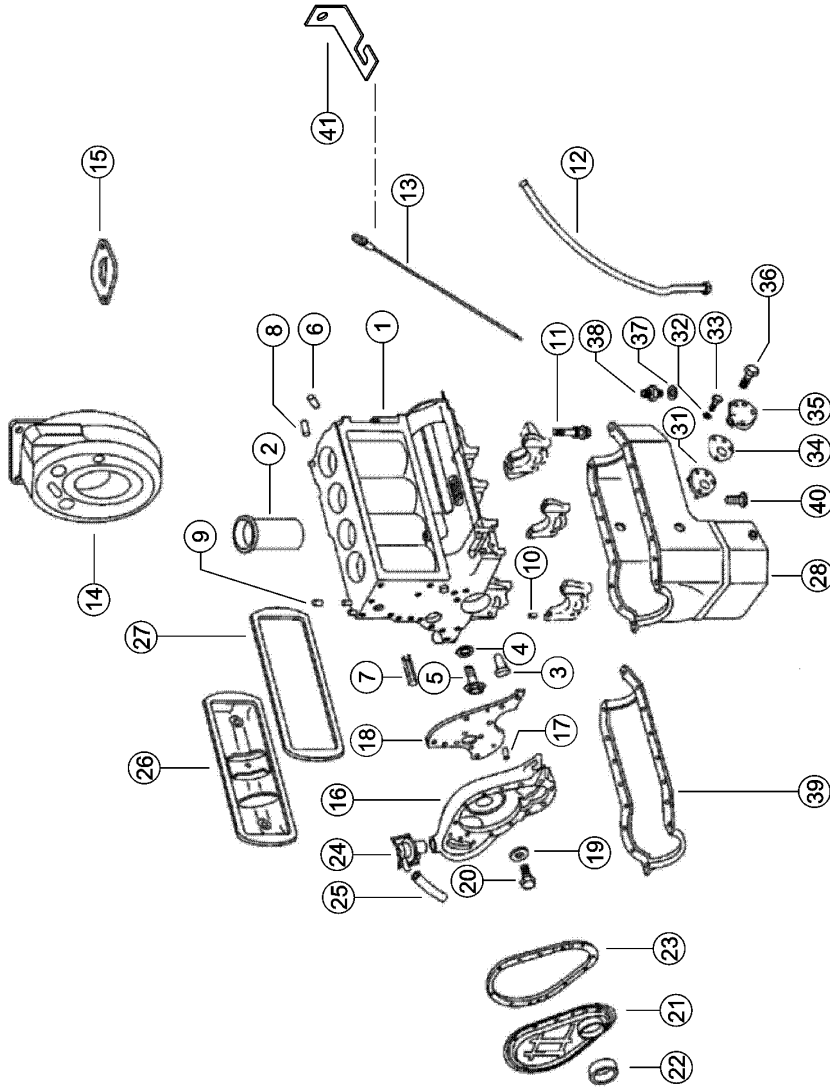
Pos.	Part No.	Description	Dimension	Quantity	Conditions
1	00 2223 102 0	ENGINE	497 TCIC BSIII (CEV) 76H	1	
2	00 2210 905 0	GUARD CAP	D22,4-F	1	1)
3	00 2225 343 0	BRACKET		1	
4	00 0236 200 0	HEXAGON HEAD BOLT	M8X20	1	
4	00 0239 387 0	CONTACT WASHER	A8-8,2X18X1,4	1	
1)	machine no.				+ up to 55000013



100 ENGINE SUSPENSION

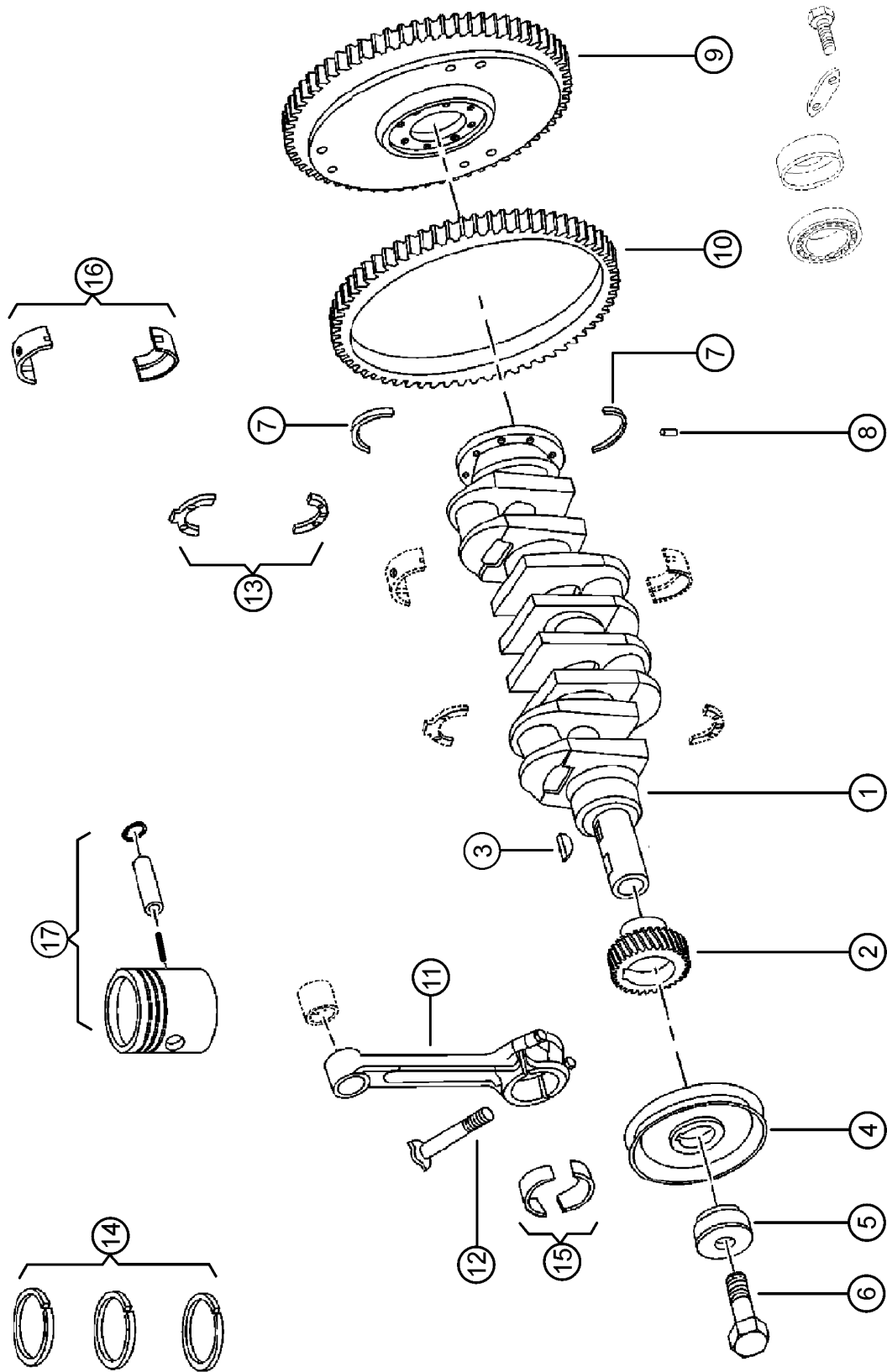
Pos.	Part No.	Description	Dimension	Quantity	Conditions
1	00 2354 175 3	MOUNTING WD		1	
2	00 0242 394 0	HEXAGON HEAD BOLT	M16X100	2	
3	00 0235 127 2	WASHER	16 - 17X30X3	4	
4	00 0235 135 1	SPRING WASHER	16- 16,2X27,4X2,8	4	
5	00 0236 173 0	HEXAGONAL NUT	M16	4	
6	00 2223 186 1	SPACER PIECE		2	
7	00 0237 383 0	HEXAGON HEAD BOLT	M10X25	16	
7	00 0239 388 0	CONTACT WASHER	A10-10,2X22,25X1,6	16	
7	00 0236 171 0	HEXAGONAL NUT	M10	16	
8	00 0025 332 0	MEGU BUSHING		4	
9	00 0237 461 0	HEXAGON HEAD BOLT	M12X30	9	
10	00 0239 389 0	CONTACT WASHER	A12	12	
11	00 0236 172 0	HEXAGONAL NUT	M12	4	
12	00 0236 056 0	HEXAGON HEAD BOLT	M12X25	6	
13	00 2223 115 1	BRACKET		2	
14	00 0242 831 0	HEXAGON HEAD SCREW	M16X160	2	
14	00 0215 898 0	HEXAGON HEAD BOLT	M16X160	2	

E03860110A100A1



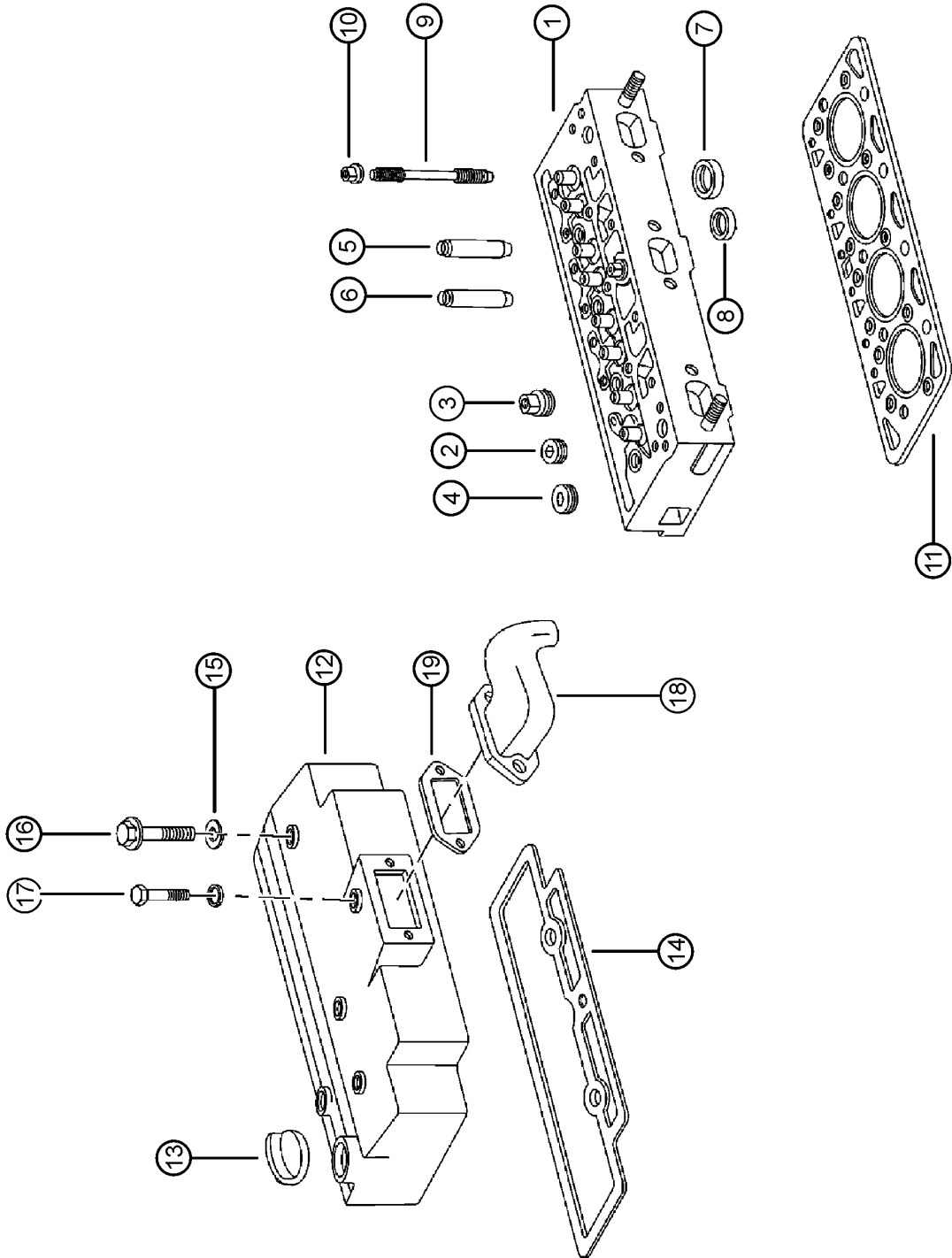
100 CRANKCASE

Pos.	Part No.	Description	Dimension	Quantity	Conditions
1	00 2213 628 0	CYLINDER BLOCK		1	
2	00 2213 629 0	BUSH		4	
3	00 2213 057 0	SCREW PLUG		1	
4	00 2213 058 0	WASHER		1	
5	00 2213 059 0	SEALING PLUG		1	
6	00 2213 060 0	BUSHING		1	
7	00 2213 061 0	TAPER LOCK SLEEVE		1	
8	00 2213 062 0	PIN		2	
9	00 2213 064 0	PIN		2	
10	00 2213 065 0	GRUB SCREW		10	
11	00 2213 067 0	SCREW		10	
12	00 2213 630 0	TUBE		1	
13	00 2213 069 0	DIP STICK		1	
14	00 2213 071 0	FLYWHEEL		1	
15	00 2213 072 0	COVER		1	
16	00 2213 073 0	CONTROL HOUSING		1	
17	00 2213 065 0	GRUB SCREW		2	
18	00 2213 075 0	GASKET		1	
19	00 2213 076 0	FUSE		3	
20	00 2213 077 0	SCREW		3	
21	00 2213 078 0	COVERING		1	
22	00 2213 079 0	GASKET		1	
23	00 2213 080 0	GASKET		1	
24	00 2213 081 0	VALVE		1	
25	00 2213 082 0	HOSE		1	
26	00 2213 083 0	COVERING		1	
27	00 2213 084 0	GASKET		1	
28	00 2213 085 0	OIL SUMP		1	
31	00 2213 088 0	FLANGE		1	
32	00 2213 089 0	DISC SPRING		2	
33	00 2213 090 0	SCREW		2	
34	00 2213 091 0	GASKET		2	
35	00 2213 092 0	FLANGE		1	
36	00 2213 093 0	SCREW		2	
37	00 2213 094 0	WASHER		1	
38	00 2213 095 0	SOCKET		1	
39	00 2213 046 0	GASKET		1	
40	00 2213 096 0	SCREW		12	
41	00 2225 343 0	BRACKET		1	



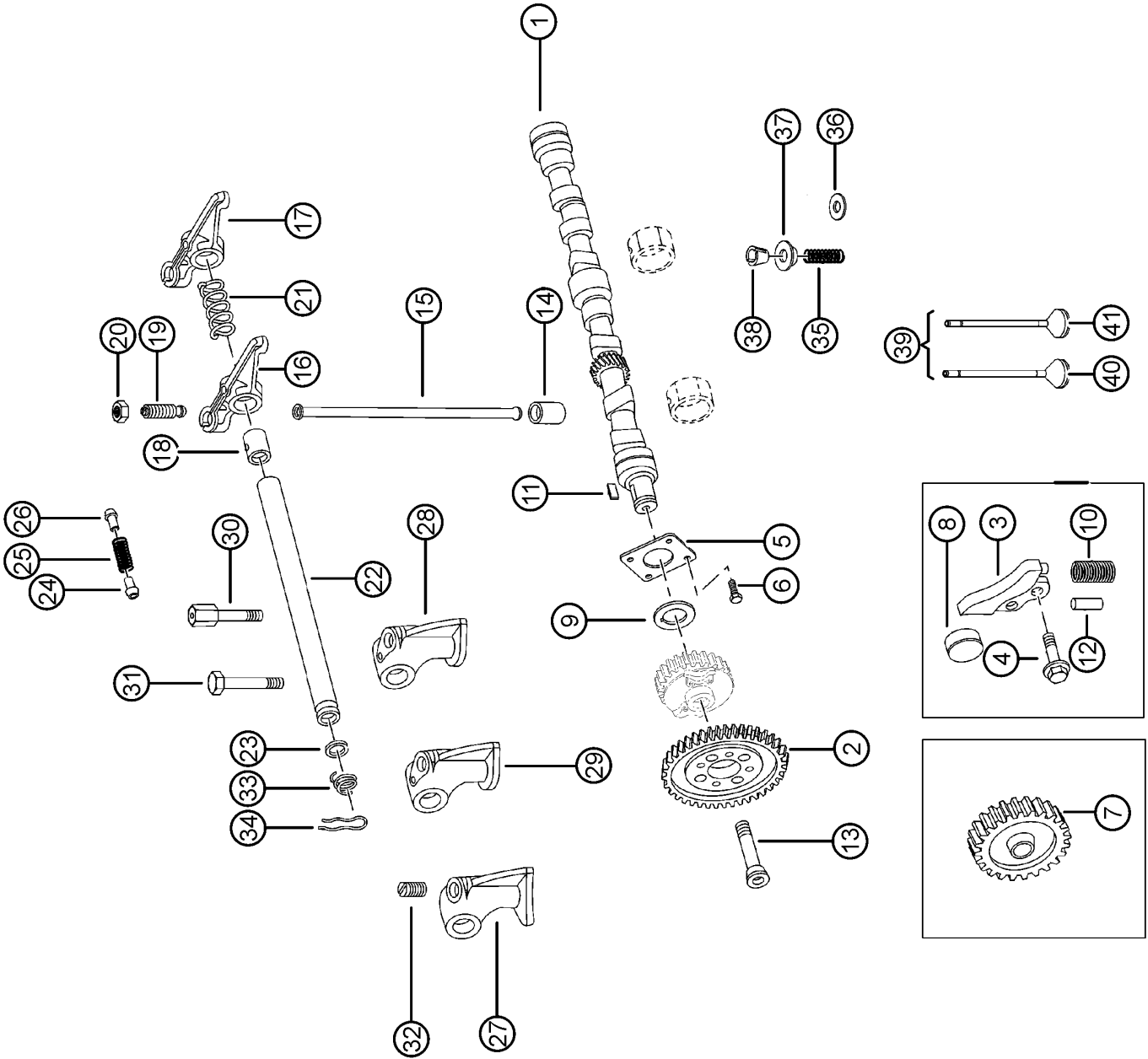
140 CRANKSHAFT

Pos.	Part No.	Description	Dimension	Quantity	Conditions
1	00 2213 632 0	CRANKSHAFT		1	
2	00 2213 117 0	CRANKSHAFT GEAR		1	
3	00 2213 118 0	PARALLEL KEY		2	
4	00 2213 119 0	V-BELT PULLEY		1	
5	00 2213 122 0	SPACER BUSH		1	
6	00 2213 123 0	DAMPER		1	
7	00 2213 124 0	GASKET		2	
8	00 2213 068 0	CENTERING PIN		1	
9	00 2213 126 0	FLYWHEEL		1	
10	00 2213 127 0	TOOTHED RIM		1	
11	00 2213 128 0	CONNECTING ROD		4	
12	00 2213 129 0	SCREW		8	
13	00 2213 638 0	THRUST WASHER		1	
13	00 2213 639 0	THRUST WASHER		1	
13	00 2213 640 0	THRUST WASHER		1	
14	00 2213 643 0	PISTON RING		1	
14	00 2213 644 0	PISTON RING		1	
15	00 2213 456 0	BEARING BOX	PLEULLAGER SET STANDARD	1	
15	00 2213 457 0	BEARING BOX	PLEULLAGER SET R/S I	1	
15	00 2213 458 0	BEARING BOX	PLEULLAGER SET R/S II	1	
15	00 2213 459 0	BEARING BOX	PLEULLAGER SET R/S III	1	
15	00 2213 460 0	BEARING BOX	PLEULLAGER SET R/S IV	1	
16	00 2213 633 0	MAIN BEARING	HAUPTLAGER SET STANDARD	1	
16	00 2213 634 0	MAIN BEARING	HAUPTLAGER SET R/S I	1	
16	00 2213 635 0	MAIN BEARING	HAUPTLAGER SET R/S II	1	
16	00 2213 636 0	MAIN BEARING	HAUPTLAGER SET R/S III	1	
16	00 2213 637 0	MAIN BEARING	HAUPTLAGER SET R/S IV	1	
17	00 2213 641 0	PLUNGER		1	
17	00 2213 642 0	PLUNGER		1	



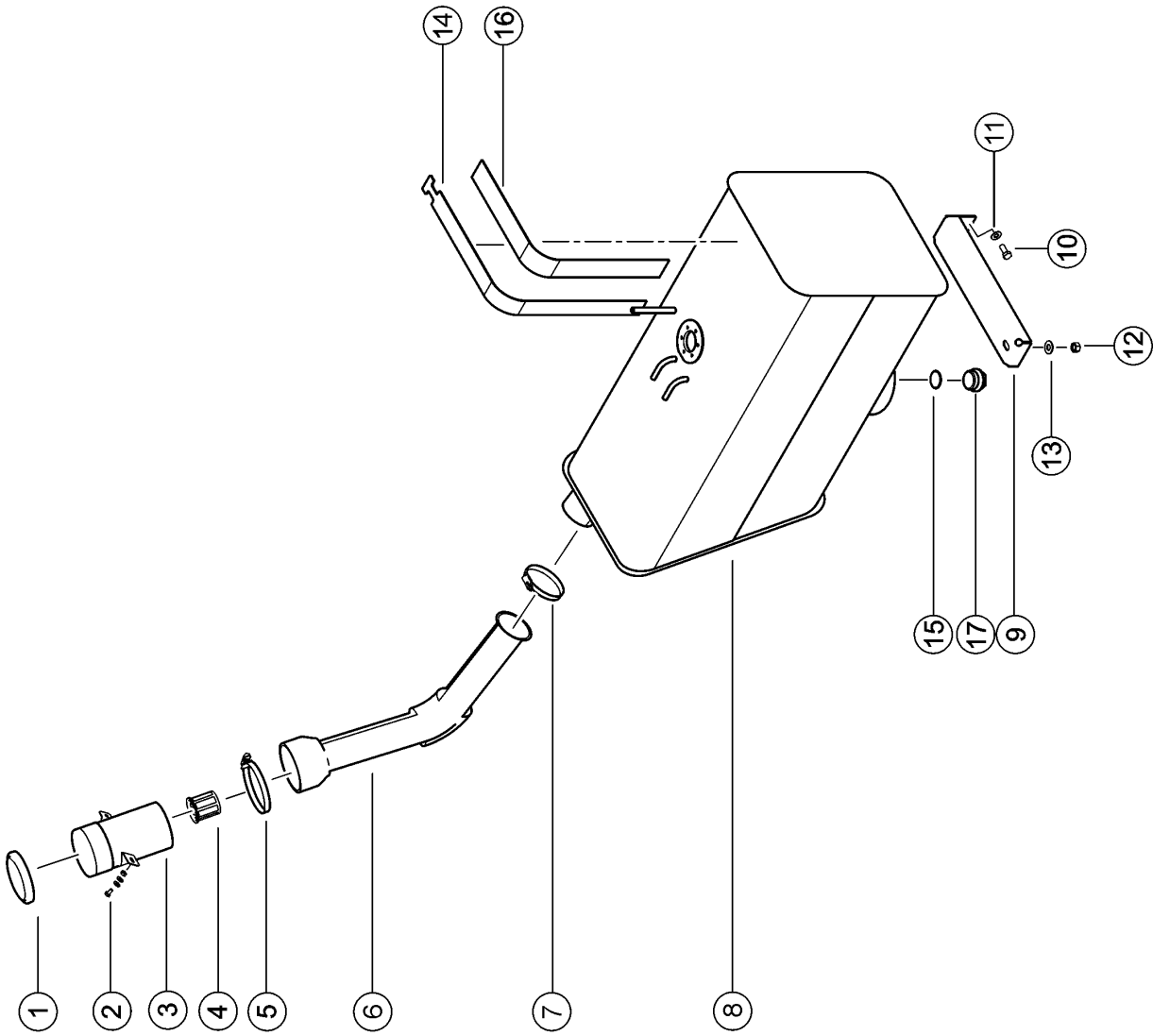
100 CYLINDER HEAD

Pos.	Part No.	Description	Dimension	Quantity	Conditions
1	00 2213 631 0	CYLINDER HEAD		1	
2	00 2213 098 0	FUSE		3	
3	00 2213 100 0	PLUG		1	
4	00 2213 101 0	FUSE		2	
5	00 2213 102 0	VALVE GUIDE		4	
6	00 2213 104 0	VALVE GUIDE		4	
7	00 2213 106 0	VALVE SEAT RING		4	
8	00 2213 107 0	VALVE SEAT RING		4	
9	00 2213 108 0	STUD BOLT		17	
10	00 2213 109 0	HEXAGONAL NUT		1	
11	00 2213 110 0	CYLINDER HEAD GASKET		1	
12	00 2213 111 0	COVER		1	
13	00 2213 112 0	SUPPORT		1	
14	00 2213 045 0	GASKET		1	
15	00 2213 113 0	WASHER		4	
16	00 2213 114 0	EXPANSION SCREW		3	
17	00 2213 115 0	SCREW		1	
18	00 2213 116 0	INLET MANIFOLD		1	
19	00 2213 041 0	SUCTION PIPE		1	



180 CAMSHAFT, CAMSHAFT BEARING BUSHES

Pos.	Part No.	Description	Dimension	Quantity	Conditions
1	00 2213 130 0	CAM SHAFT		1	
2	00 2213 131 0	CAMSHAFT WHEEL		1	
3	00 2213 132 0	SEGMENT		2	
4	00 2213 133 0	COLLAR SCREW		4	
5	00 2213 134 0	WASHER		1	
6	00 2213 135 0	SCREW		4	
7	00 2213 136 0	DRIVING GEAR		1	
8	00 2213 137 0	SENDER UNIT		2	
9	00 2213 138 0	RING		1	
10	00 2213 139 0	COMPRESS.SPRING		2	
11	00 2213 140 0	PARALLEL KEY		1	
12	00 2213 141 0	PIN		2	
13	00 2213 142 0	PIN		1	
14	00 2213 143 0	VALVE TAPPET		8	
15	00 2213 144 0	THRUST ROD		8	
15	00 2213 145 0	THRUST ROD		8	
16	00 2213 146 0	TILT LEVER		4	
17	00 2213 147 0	TILT LEVER		4	
18	00 2213 148 0	BUSHING		4	
19	00 2213 149 0	VALVE TAPPET		4	
20	00 2213 150 0	HEXAGONAL NUT		4	
21	00 2213 151 0	SPRING		3	
22	00 2213 153 0	SHAFT		1	
23	00 2213 154 0	CAP		2	
24	00 2213 155 0	GREASE NIPPLE		1	
25	00 2213 156 0	SPRING		1	
26	00 2213 157 0	GREASE NIPPLE		1	
27	00 2213 158 0	TILT LEVER		1	
28	00 2213 159 0	TILT LEVER		2	
29	00 2213 160 0	TILT LEVER		1	
30	00 2213 161 0	PIN		3	
31	00 2213 162 0	SCREW		1	
32	00 2213 163 0	THREADED PIN		1	
33	00 2213 164 0	SPRING		2	
34	00 2213 165 0	SPRING CLIP		2	
35	00 2213 647 0	VALVE SPRING		8	
36	00 2213 166 0	VALVE SPRING		8	
37	00 2213 648 0	MOUNT		8	
38	00 2213 167 0	CYLINDRIC. SLEEVE		16	
39	00 2213 649 0	VALVE		1	
40	00 2213 650 0	INLET VALVE		1	
41	00 2213 651 0	OUTLET VALVE		1	



100 FUEL TANK

Pos.	Part No.	Description	Dimension	Quantity	Conditions
1	00 0025 700 0	END CAP		1	
2	00 0237 464 0	HEXAGON HEAD BOLT	M06X12	2	
2	00 0239 386 0	CONTACT WASHER	A 6	3	
2	00 0236 169 0	HEXAGONAL NUT	M6	1	
3	00 2228 870 0	TUBE-FUEL WD		1	
4	00 0020 043 1	FILTER		1	
5	00 0215 476 2	HOSE CLAMP	A - 100-120X12	1	
6	00 2228 853 0	HOSE	D110X5X555	1	
7	00 0238 908 2	HOSE CLAMP	A - 70-90X12	1	
8	00 2228 934 1	FUEL TANK		1	1)
8	00 2229 055 0	FUEL TANK WD		1	2)
8	00 2765 250 0	FUEL TANK WD		1	3)
9	00 2354 173 0	SUPPORT	3X176X474	2	4)
9	00 2765 287 0	SUPPORT	3X176X474	1	3)
10	00 0237 383 0	HEXAGON HEAD BOLT	M10X25	4	3)
11	00 0239 388 0	CONTACT WASHER	A10-10,2X22,25X1,6	4	
12	00 0236 172 0	HEXAGONAL NUT	M12	4	
13	00 0239 389 0	CONTACT WASHER	A12	4	
14	00 2228 942 1	CLAMP WD		2	
15	00 0023 237 0	SEALING RING	A 33X39X2	1	
16	00 2228 944 0	STRIP-RUBBER	3X50X613	3	
17	00 0687 607 0	DRAIN SCREW	M33X2	1	

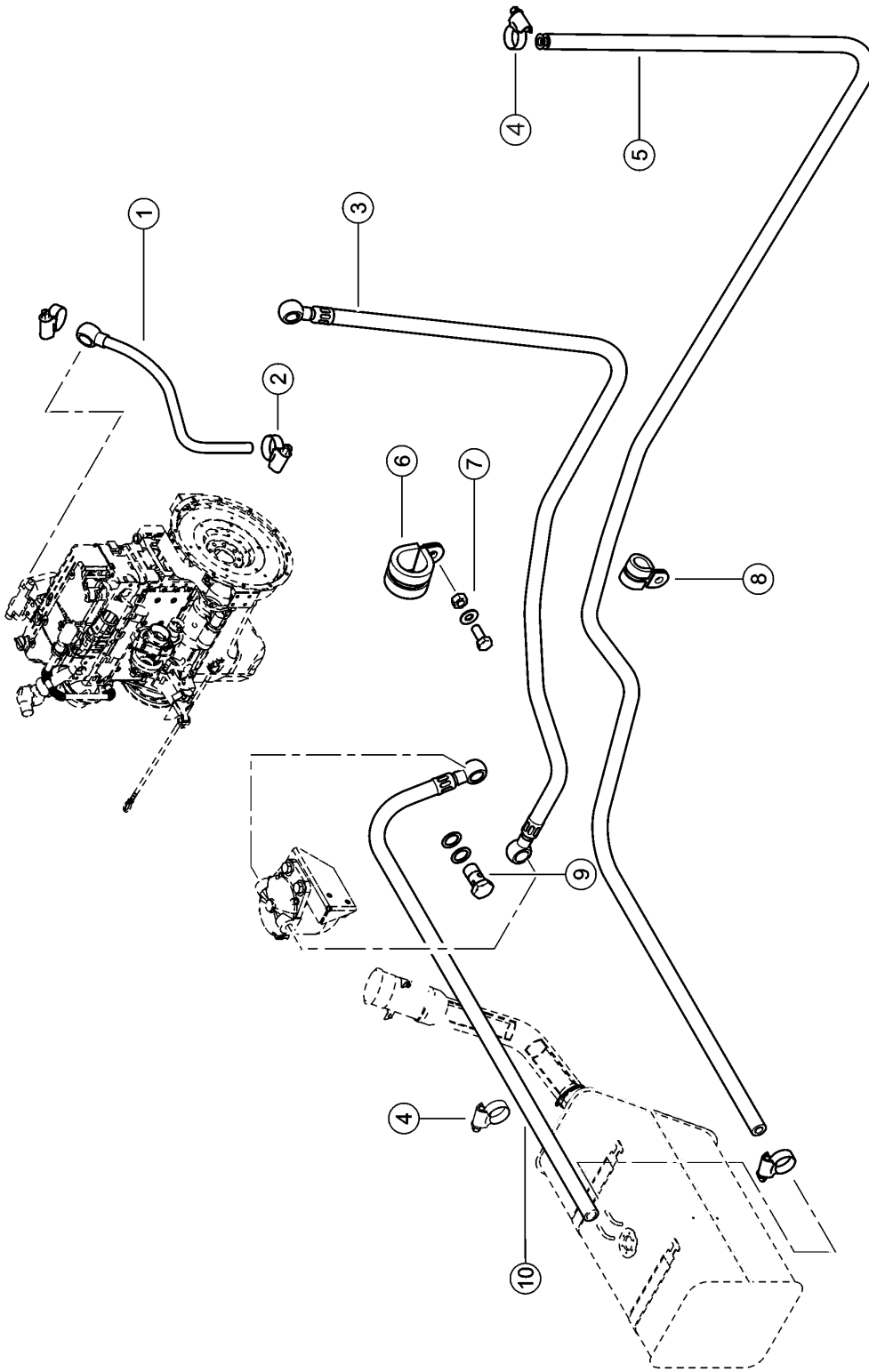
1) machine no. + up to 55000013

2) machine no. + up to 55000199
+ from 55000014

3) machine no. + from 55000200

4) machine no. + up to 55000199

E03860125A140A1



Thank you so much for reading.
Please click the “Buy Now!”
button below to download the
complete manual.



After you pay.

You can download the most
perfect and complete manual in
the world immediately.

Our support email:

ebooklibonline@outlook.com