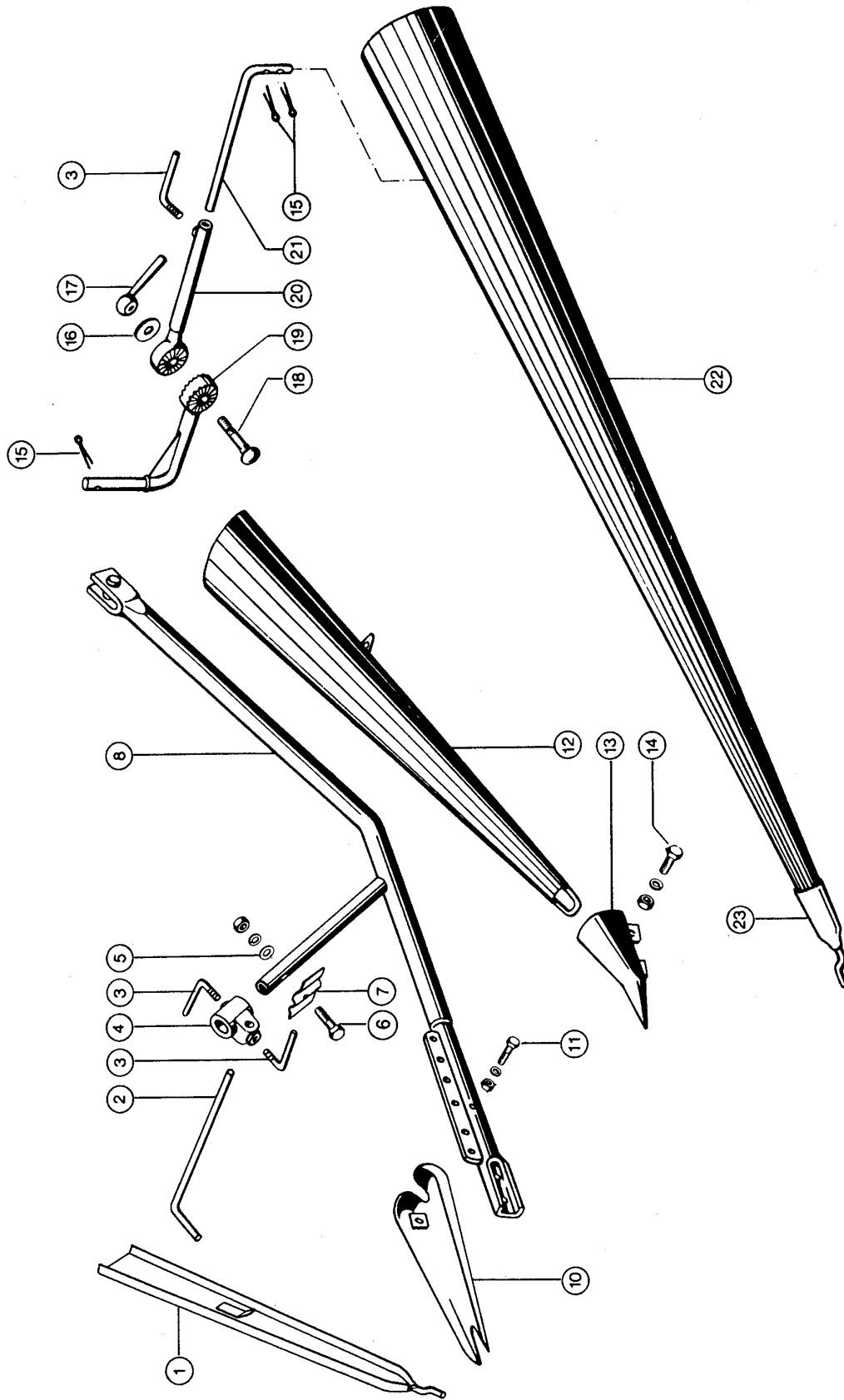


1

Dominator 96



**CLAAS**

**DIVIDER, VAR. 2556 (LONG) AND VAR. 2527(SHORT)**

Pos.	Part No.	Description	Dimension	Quantity	Conditions
1	<b>00 0612 558 1</b>	INT.DIVIDER LONG	870 LANG	2	1)
1	<b>00 0610 245 1</b>	INT.DIVIDER LONG		2	2)
1	<b>00 0612 579 0</b>	INT.DIVIDER SHORT	600 LANG	2	3)
1	<b>00 0616 210 1</b>	INT.DIVIDER SHORT		2	2)
2	<b>00 0616 214 1</b>	ADJUSTING ROD	D 12X490	2	
3	<b>00 0500 924 2</b>	TOMMY SCREW	M 12	6	
4	<b>00 0609 887 0</b>	CROSS BEARING		2	
5	<b>00 0236 913 2</b>	FLAT WASHER	10-10,5X20X2	4	
6	<b>00 0235 533 0</b>	HEX.HEAD BOLT	M10X45	4	
6	<b>00 0236 171 0</b>	HEXAGONAL NUT	M10	4	
6	<b>00 0239 388 0</b>	CONTACT WASHER	A10-10,2X22,25X1,6	4	
7	<b>00 0609 888 1</b>	INTERMED.PIECE	1,5X37X58	4	
8	<b>00 0609 893 1</b>	DIVIDER SUPP.TUBE	1800 LG	2	
8	<b>00 0609 867 1</b>	DIVIDER SUPP.TUBE	1540 LG	2	
10	<b>00 0610 236 0</b>	GLIDE SKID		2	
11	<b>00 0235 519 0</b>	HEXAGON HEAD BOLT	M 8X50	2	
11	<b>00 0236 170 0</b>	HEXAGONAL NUT	M8	2	
11	<b>00 0239 387 0</b>	CONTACT WASHER	A8-8,2X18X1,4	2	
12	<b>00 0674 389 3</b>	CENTR. SEPARAT.	1160 LANG	2	
12	<b>00 0670 372 2</b>	DIVIDER CEN.PLATE	840 LANG	2	
13	<b>00 0520 020 0</b>	DIVIDER POINT	.	2	
14	<b>00 0237 383 0</b>	HEXAGON HEAD BOLT	M10X25	4	
14	<b>00 0236 171 0</b>	HEXAGONAL NUT	M10	4	
14	<b>00 0239 388 0</b>	CONTACT WASHER	A10-10,2X22,25X1,6	4	
15	<b>00 0235 097 0</b>	SPLIT PIN	5X36	6	
16	<b>00 0233 575 0</b>	WASHER	13X40X3	2	
17	<b>00 0504 504 0</b>	HANDLE	N 100	2	
18	<b>00 0238 913 0</b>	COACH BOLT	M12X 60	2	
19	<b>00 0609 873 0</b>	ADJUSTING PLATE		2	
20	<b>00 0609 876 0</b>	ADJUSTING TUBE	625 LANG	2	
20	<b>00 0609 861 0</b>	ADJUSTING TUBE	330 LANG	2	
21	<b>00 0610 209 0</b>	ADJUSTING ROD	D20X660	2	
21	<b>00 0610 278 0</b>	ADJUSTING ROD	300 LANG	2	
22	<b>00 0609 885 2</b>	OUTER DIVIDER		2	
22	<b>00 0610 274 3</b>	PUSH SWITCH		2	
23	<b>00 0610 268 1</b>	STRIPPER POINT	GG 18	2	4)

**1) Remarks** from cutterbar 225906

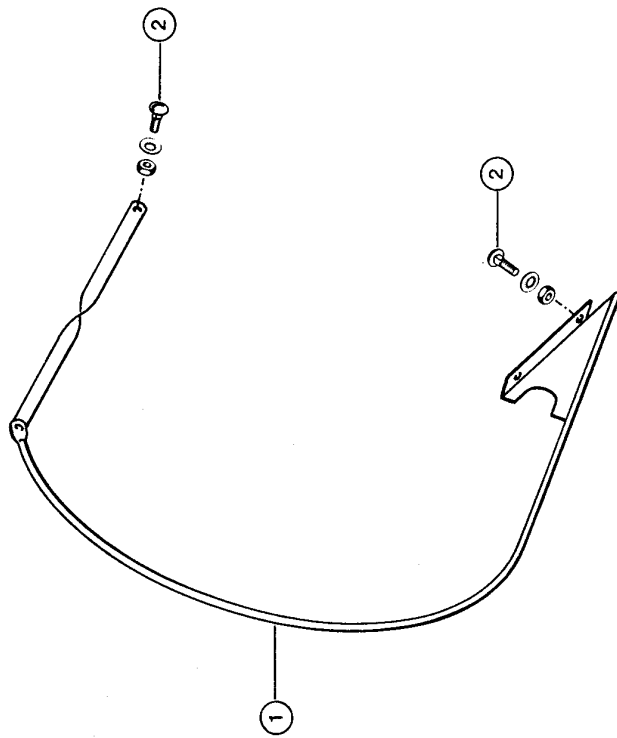
**2) Remarks** BIS SCHNEIDW. 225905

**3) Remarks** AB SCHNEIDWERK 225906

**4) Remarks** to cutterbar 228750

2

Dominator 96



**CLAAS**

100621

**BEND DIVIDER, VAR. 2591, OPTION 1)**

<b>Pos.</b>	<b>Part No.</b>	<b>Description</b>	<b>Dimension</b>	<b>Quantity</b>	<b>Conditions</b>
1	<b>00 0674 392 0</b>	BEND DIVIDER		2	
2	<b>00 0502 511 0</b>	COACH BOLT	M10X25X20-F=3	6	
2	<b>00 0236 171 0</b>	HEXAGONAL NUT	M10	6	
2	<b>00 0239 394 1</b>	CONTACT WASHER	B10	6	

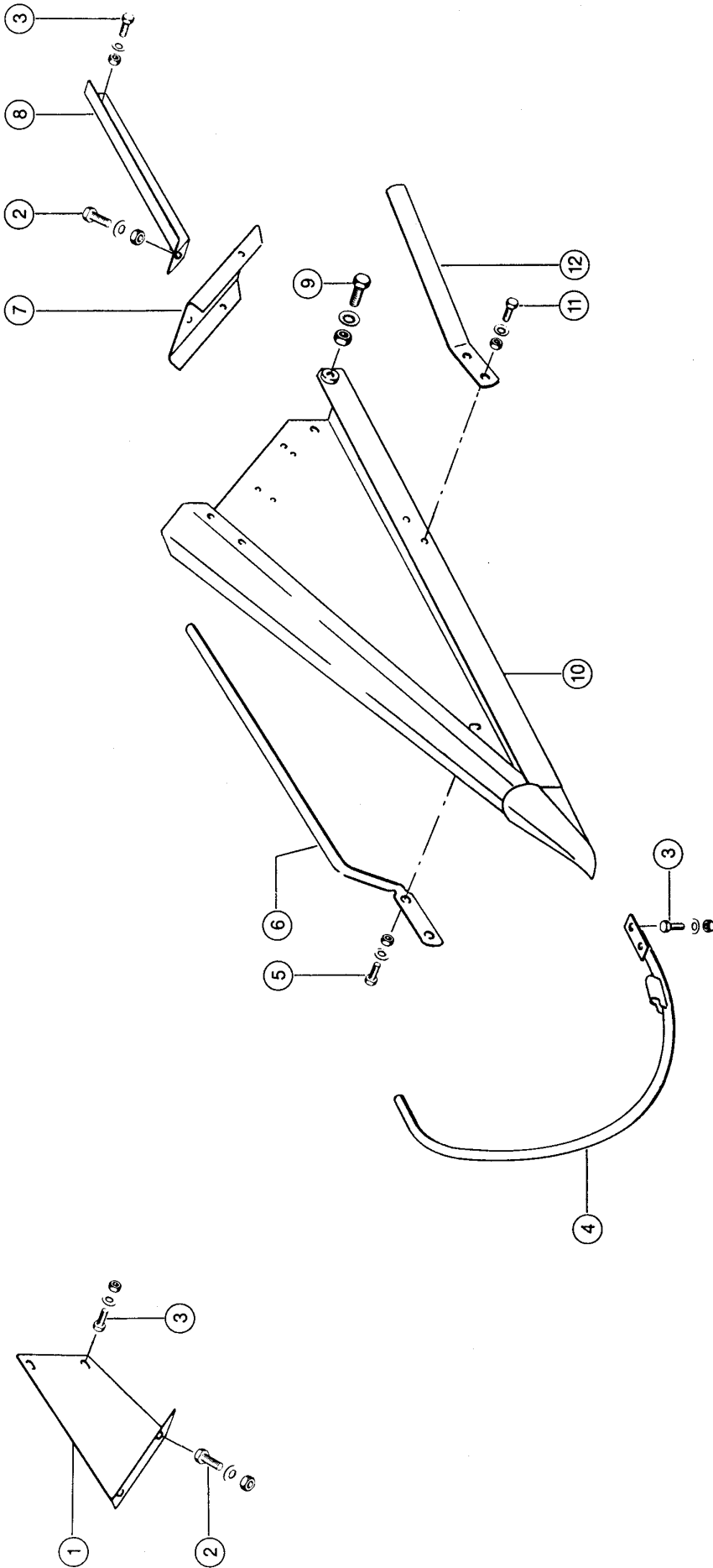
**1) Remarks**

UP TO 1983 PRODUCT. MACHINES

2A

CLAS

DOMINATOR 96



Dominator 96

100622

**SPECIAL CROP DIVIDER, VAR. 4282, OPTION 1)**

Pos.	Part No.	Description	Dimension	Quantity	Conditions
1	<b>00 0688 980 0</b>	SUPPORT R.H.	4X156X381,5	1	2)
2	<b>00 0237 423 0</b>	HEXAGON HEAD BOLT	M10X28	3	
2	<b>00 0236 171 0</b>	HEXAGONAL NUT	M10	3	
2	<b>00 0239 388 0</b>	CONTACT WASHER	A10-10,2X22,25X1,6	3	
3	<b>00 0237 442 0</b>	HEXAGON HEAD BOLT	M8X25	6	
3	<b>00 0236 170 0</b>	HEXAGONAL NUT	M8	6	
3	<b>00 0239 387 0</b>	CONTACT WASHER	A8-8,2X18X1,4	6	
4	<b>00 0688 025 0</b>	BEND DIVIDER		2	
5	<b>00 0234 953 0</b>	COACH BOLT	M8X20X13	4	
5	<b>00 0236 170 0</b>	HEXAGONAL NUT	M8	4	
5	<b>00 0239 387 0</b>	CONTACT WASHER	A8-8,2X18X1,4	4	
6	<b>00 0688 975 1</b>	DEFLECTOR INNER		2	
7	<b>00 0688 974 0</b>	SUPPORT	4X161X200	2	
8	<b>00 0688 977 0</b>	SUPPORT L.H.		1	3)
9	<b>00 0236 056 0</b>	HEXAGON HEAD BOLT	M12X25	4	
9	<b>00 0236 172 0</b>	HEXAGONAL NUT	M12	4	
9	<b>00 0239 389 0</b>	CONTACT WASHER	A12	4	
10	<b>00 0688 969 1</b>	DIVIDER L.H.		1	
10	<b>00 0688 970 1</b>	DIVIDER R.H.		1	
11	<b>00 0237 439 0</b>	HEXAGON HEAD BOLT	M8X16	4	
11	<b>00 0236 170 0</b>	HEXAGONAL NUT	M8	4	
11	<b>00 0239 387 0</b>	CONTACT WASHER	A8-8,2X18X1,4	4	
12	<b>00 0688 976 0</b>	DEFLECTOR OUTER	3,0X0030X0400	2	

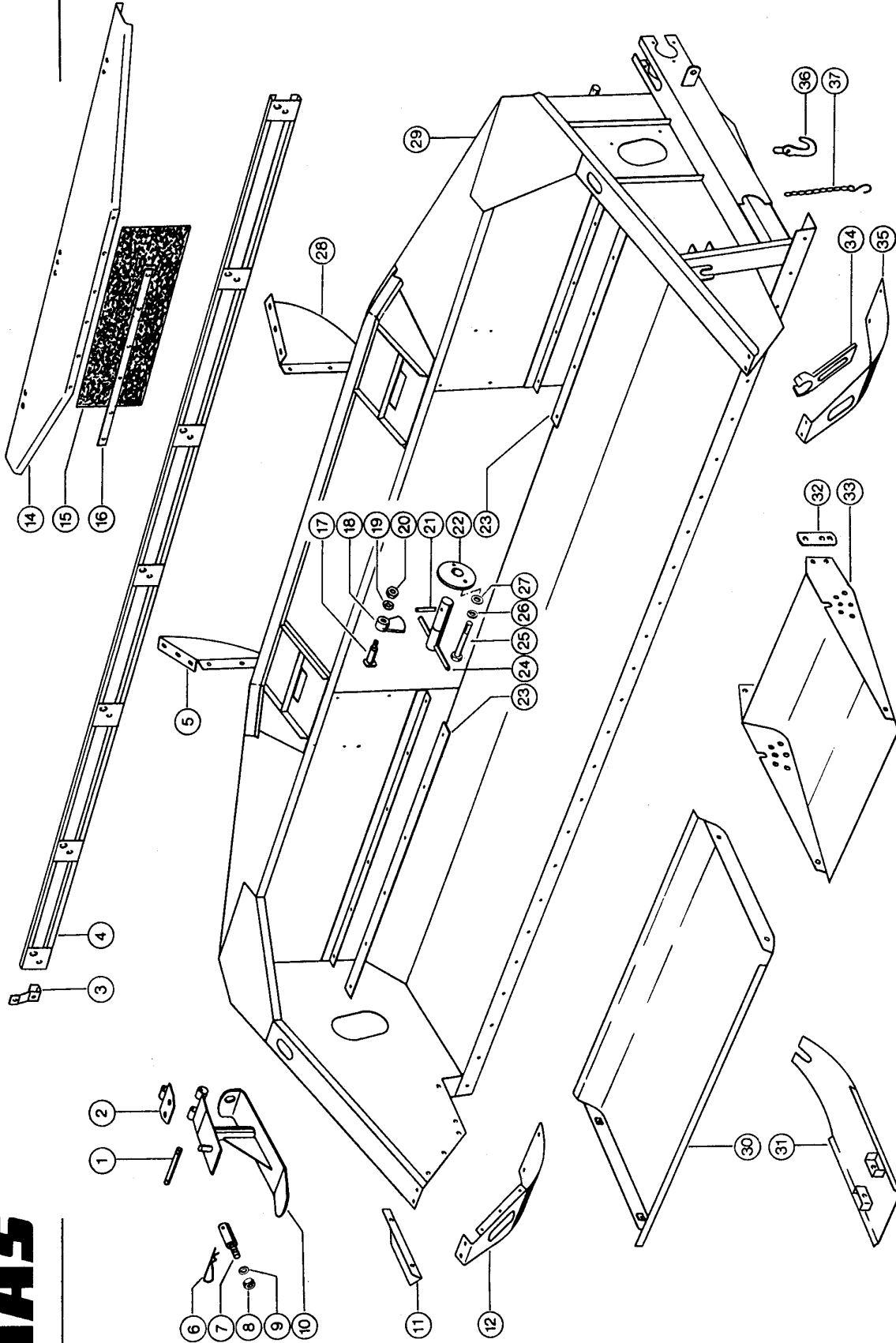
<b>1)</b>	<b>Remarks</b>	AS FROM 1984 PRODUCT.MACHINES
<b>2)</b>	<b>Remarks</b>	for right side
<b>3)</b>	<b>Remarks</b>	for left side

3

**CLAAS**

DOMINATOR 96

Dominator 96



100623

**CUTTERBAR DRIVE**

Pos.	Part No.	Description	Dimension	Quantity	Conditions
1	<b>00 0677 758 0</b>	PIN	15H9X 88	1	1)
2	<b>00 0677 752 1</b>	SUPPORTING PLATE		1	1)
3	<b>00 0677 803 2</b>	SUPPORT	25X5X154	4	
4	<b>00 0688 167 0</b>	KNIFE SUPPORT		1	2)
4	<b>00 0688 168 0</b>	KNIFE SUPPORT	3,9 M	1	3)
4	<b>00 0690 492 0</b>	KNIFE SUPPORT	4,2 M	1	4)
4	<b>00 0688 169 0</b>	KNIFE SUPPORT	4,5 M	1	5)
4	<b>00 0688 170 0</b>	KNIFE SUPPORT	5,1 M 17'	1	6)
4	<b>00 0688 171 0</b>	KNIFE SUPPORT	5,7 M 19'	1	7)
5	<b>00 0670 152 3</b>	GUSSET PLATE R.H.	5X390X261	1	
6	<b>00 0673 749 0</b>	SPRING CLIP	4,5X90	1	1)
7	<b>00 0765 233 0</b>	BEARING BOLT	D20X 65	1	1)
8	<b>00 0236 172 0</b>	HEXAGONAL NUT	M12	1	1)
9	<b>00 0239 389 0</b>	CONTACT WASHER	A12	1	1)
10	<b>00 0677 749 2</b>	SUPPORT		1	1)
11	<b>00 0604 253 1</b>	GUARD PLATE R.H.	1,5X124X280	1	
12	<b>00 0670 066 4</b>	OUTER SHOE RH.	5X126X836	1	1)
12	<b>00 0670 352 1</b>	OUTER SHOE RH.	5X126X904	1	8)
12	<b>00 0676 136 1</b>	OUTER SHOE RH.	5X125X873	1	9)
14	<b>00 0688 102 3</b>	DUST SHIELD	1,5X265X1400	1	10)
14	<b>00 0688 101 1</b>	DUST SHIELD		1	11)
15	<b>00 0688 104 0</b>	RUBBER PROTECTION	1,5X200X580	1	12)
16	<b>00 0688 106 0</b>	COUNTER STRIP	16X2X570	1	12)
17	<b>00 0653 251 1</b>	PIN	16XH11X19X36	2	
18	<b>00 0670 155 2</b>	FUSE		2	
19	<b>00 0239 389 0</b>	CONTACT WASHER	A12	2	
20	<b>00 0236 172 0</b>	HEXAGONAL NUT	M12	2	
21	<b>00 0244 578 0</b>	SPRING PIN	10 X 40 -ST	2	
22	<b>00 0670 156 1</b>	GUIDE		2	
23	<b>00 0688 053 2</b>	STRIPPER	3X35X1017	2	2)
23	<b>00 0670 074 2</b>	STRIPPER	3X35X1170	2	3)
23	<b>00 0690 497 0</b>	STRIPPER	3X35X1322	2	4)
23	<b>00 0670 282 2</b>	STRIPPER	3X35X1475	2	5)
23	<b>00 0674 251 2</b>	STRIPPER	3X35X1780	2	6)
23	<b>00 0674 304 2</b>	STRIPPER L.H.	1685 LANG	1	7)
23	<b>00 0674 305 2</b>	STRIPPER R.H.	2485 LANG	1	7)
24	<b>00 0670 160 2</b>	BOLT		2	
25	<b>00 0237 820 0</b>	HEXAGON HEAD BOLT	M12X90	4	
25	<b>00 0237 453 0</b>	HEXAGON HEAD BOLT	M10X30	4	
26	<b>00 0239 389 0</b>	CONTACT WASHER	A12	4	
27	<b>00 0235 124 3</b>	FLAT WASHER	12- 13X24X2,5	16	
28	<b>00 0688 098 1</b>	GUSSET PLATE L.H.	ERS.D.6880982	1	
29	<b>00 0688 051 0</b>	TROUGH	3,60M	1	1)
29	<b>00 0677 702 1</b>	TROUGH	3,90M	1	13)
29	<b>00 0690 807 0</b>	TROUGH	4,20M S	1	13)
29	<b>00 0677 704 5</b>	TROUGH	4,50M	1	13)
29	<b>00 0677 706 4</b>	TROUGH	5,10M S	1	13)
29	<b>00 0680 680 5</b>	TROUGH		1	13)
29	<b>00 0677 701 2</b>	TROUGH		1	8)
29	<b>00 0677 703 4</b>	TROUGH		1	8)
29	<b>00 0677 705 3</b>	TROUGH		1	8)
29	<b>00 0676 080 3</b>	TROUGH		1	8)
30	<b>00 0673 781 4</b>	SKID SHOE		1	1)
31	<b>00 0673 787 0</b>	SKID SHOE	.KURZE M.	6	14)



**CUTTERBAR DRIVE**

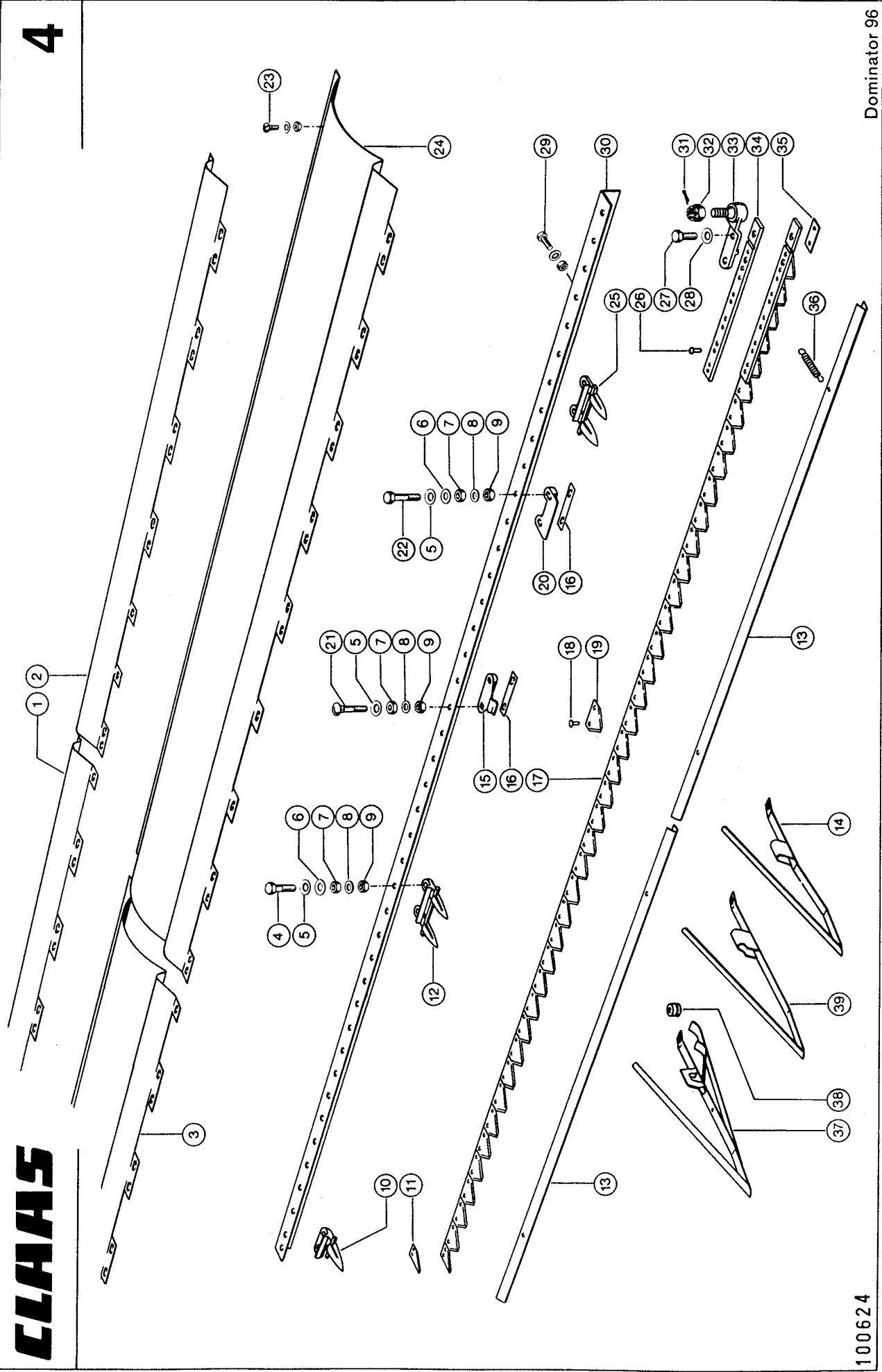
Pos.	Part No.	Description	Dimension	Quantity	Conditions
31	<b>00 0676 130 0</b>	SKID		7	9)
32	<b>00 0603 899 1</b>	CONNECTING PLATE	30X10X98	4	1)
33	<b>00 0603 902 0</b>	SKID SHOE		2	1)
34	<b>00 0603 868 1</b>	DIVIDER SUPPORT		2	
35	<b>00 0670 065 3</b>	OUTER SHOE LH.	5X223X836	1	1)
35	<b>00 0670 351 0</b>	OUTER SHOE LH.	23X904	1	8)
35	<b>00 0676 135 0</b>	OUTER SHOE LH.	23X873	1	9)
36	<b>00 0641 214 0</b>	HOOK		1	
37	<b>00 0673 763 0</b>	LOCK CHAIN		2	

<b>1) Remarks</b>	at long. cutterbar
<b>2) Remarks</b>	at 3,6 m cutterbar
<b>3) Remarks</b>	BEI 3,9 M SCHNEIDWERK
<b>4) Remarks</b>	BEI 4,2 M SCHNEIDWERK
<b>5) Remarks</b>	BEI 4,5 M SCHNEIDWERK
<b>6) Remarks</b>	BEI 5,1 M SCHNEIDWERK
<b>7) Remarks</b>	BEI 5,7 M SCHNEIDWERK
<b>8) Remarks</b>	BEI KURZ. SCHNEIDWERK
<b>9) Remarks</b>	BEI 5,7 M. KURZ
<b>10) Remarks</b>	from cutterbar 246000
<b>11) Remarks</b>	BIS SCHNEIDW. 245999
<b>12) Remarks</b>	to cutterbar 245999
<b>13) Remarks</b>	BEI LANG. SCHNEIDWERK
<b>14) Remarks</b>	at short cutterbar

4

CLAAS

Dominator 96



100624

**CUTTER BAR 1)**

Pos.	Part No.	Description	Dimension	Quantity	Conditions
1	<b>00 0673 771 0</b>	GUIDING PLATE	1,5X150X1297	1	2)
1	<b>00 0670 354 0</b>	GUIDING PLATE	1,5X150X1907	1	3)
1	<b>00 0674 250 0</b>	GUIDING PLATE	1,5X150X610	1	4)
1	<b>00 0676 138 0</b>	GUIDE PLATE	X251X1220	1	5)
1	<b>00 0676 139 0</b>	GUIDE PLATE	X251X1907	1	5)
2	<b>00 0670 353 0</b>	GUIDING PLATE	1,5X150X2638	1	6)
2	<b>00 0676 137 0</b>	GUIDE PLATE	X251X2638	1	5)
3	<b>00 0688 052 0</b>	GUIDING PLATE	1,5X478X992	1	7)
3	<b>00 0677 098 0</b>	GUIDING PLATE	1,5X478X1297	1	8)
3	<b>00 0690 466 0</b>	GUIDING PLATE	1,5X478X1602	1	9)
3	<b>00 0677 099 0</b>	GUIDING PLATE	1,5X0478X1907	1	10)
3	<b>00 0677 198 0</b>	GUIDING PLATE	1,5X478X610	1	11)
3	<b>00 0677 199 0</b>	GUIDE PLATE	1,5X478X1220	1	12)
4	<b>00 0235 534 1</b>	HEXAGON HEAD BOLT	M10X50X29	26	
5	<b>00 0239 388 0</b>	CONTACT WASHER	A10-10,2X22,25X1,6	42	
6	<b>00 0238 292 0</b>	WASHER	10,5X 22 X1	22	
7	<b>00 0236 171 0</b>	HEXAGONAL NUT	M10	42	
8	<b>00 0236 831 0</b>	WASHER	10,5X25X2	42	
9	<b>00 0237 947 0</b>	HEX. NUT WITH CLAMP. PART	M10	42	
10	<b>00 0676 241 4</b>	END FINGER		1	
11	<b>00 0611 204 1</b>	KNIFE SECTION		1	13)
11	<b>00 0611 317 0</b>	KNIFE SECTION		1	14)
11	<b>00 0676 233 1</b>	KNIFE SECTION		1	15)
11	<b>00 0611 319 0</b>	KNIFE SECTION PL.		1	16)
11	<b>00 0676 240 0</b>	KNIFE SECTION PL.		1	15)
12	<b>00 0676 235 3</b>	DOUBLE FINGER		20	17)
13	<b>00 0770 489 0</b>	SAFETY BAR	2X46,5X1800	1	
13	<b>00 0770 488 0</b>	SAFETY BAR	2 X 46,5X2100	1	
13	<b>00 0770 490 0</b>	SAFETY BAR	2 X 46,5X2400	1	
13	<b>00 0610 059 0</b>	SAFETY BAR	2X46,5X3020	1	
14	<b>00 0610 272 3</b>	CROP LIFTER		1	18)
14	<b>00 0610 290 2</b>	CROP LIFTER		1	19)
15	<b>00 0676 236 0</b>	PRESSURE THUMB		10	20)
16	<b>00 0673 753 1</b>	SHIM		68	21)
17	<b>00 0611 229 2</b>	MOWER KNIFE,SERRATED		1	22)
17	<b>00 0688 065 2</b>	MOWER KNIFE, SERRATED		1	23)
17	<b>00 0688 070 1</b>	MOWER KNIFE, PLAIN		1	24)
17	<b>00 0611 222 2</b>	MOWER KNIFE,SERRATED		1	25)
17	<b>00 0676 307 2</b>	MOWER KNIFE, SERRATED		1	26)
17	<b>00 0676 306 1</b>	MOWER KNIFE, PLAIN		1	27)
17	<b>00 0611 022 0</b>	MOWER KNIFE,SERRATED		1	28)
17	<b>00 0690 476 0</b>	KNIFE, SERRATED		1	29)
17	<b>00 0611 213 2</b>	MOWER KNIFE,SERRATED		1	30)
17	<b>00 0676 237 2</b>	MOWER KNIFE, SERRATED		1	31)
17	<b>00 0676 321 1</b>	MOWER KNIFE, PLAIN		1	32)
17	<b>00 0611 214 2</b>	MOWER KNIFE,SERRATED		1	33)
17	<b>00 0676 230 2</b>	KNIFE, SERRATED		1	34)
17	<b>00 0676 322 1</b>	MOWER KNIFE, PLAIN		1	35)
17	<b>00 0611 215 2</b>	KNIFE,SERRATED		1	36)
17	<b>00 0676 238 2</b>	KNIFE, SERRATED		1	37)
17	<b>00 0676 323 1</b>	MOW BLADE, PLAIN		1	38)
18	<b>00 0237 663 0</b>	COUNTERSUNK RIVET	6X17	1	
19	<b>00 0611 203 1</b>	KNIFE SECTION		1	13)
19	<b>00 0611 316 0</b>	KNIFE SECTION		1	14)

**CUTTER BAR 1)**

Pos.	Part No.	Description	Dimension	Quantity	Conditions
19	<b>00 0676 234 1</b>	KNIFE SECTION		1	15)
19	<b>00 0611 318 0</b>	KNIFE SECTION PL.		1	16)
19	<b>00 0676 239 0</b>	KNIFE SECTION PL.		1	15)
20	<b>00 0613 017 2</b>	KNIFE CLIP		2	
21	<b>00 0236 462 0</b>	COACH BOLT	M10X60	20	17)
22	<b>00 0237 808 0</b>	HEXAGON HEAD BOLT	M10X75	4	
23	<b>00 0665 564 1</b>	COACH BOLT	M6X12	5	
23	<b>00 0236 169 0</b>	HEXAGONAL NUT	M6	5	
23	<b>00 0239 386 0</b>	CONTACT WASHER	A 6	5	
24	<b>00 0677 096 0</b>	GUIDING PLATE	1,5X0478X2634	1	39)
25	<b>00 0676 249 1</b>	DOUBLE FINGER		4	
26	<b>00 0237 054 0</b>	COUNTERSUNK RIVET	6 X30	14	
26	<b>00 0237 664 0</b>	COUNTERSUNK RIVET	6X20	3	
27	<b>00 0236 056 0</b>	HEXAGON HEAD BOLT	M12X25	2	
28	<b>00 0239 389 0</b>	CONTACT WASHER	A12	2	
29	<b>00 0237 383 0</b>	HEXAGON HEAD BOLT	M10X25	15	
29	<b>00 0236 171 0</b>	HEXAGONAL NUT	M10	15	
29	<b>00 0239 388 0</b>	CONTACT WASHER	A10-10,2X22,25X1,6	15	
30	<b>00 0688 064 1</b>	KNIFE CUTTERBAR	50X50X3915	1	40)
30	<b>00 0673 774 1</b>	KNIFE CUTTERBAR	50X50X4220	1	27)
30	<b>00 0690 475 0</b>	KNIFE CUTTERBAR	50X50X7X4510	1	41)
30	<b>00 0673 752 2</b>	KNIFE CUTTERBAR	50X50X7X4815	1	32)
30	<b>00 0674 256 1</b>	KNIFE CUTTERBAR	50X50X7X5440	1	35)
30	<b>00 0674 307 2</b>	KNIFE CUTTERBAR	50X50X7X6035	1	38)
31	<b>00 0235 090 0</b>	SPLIT PIN	4 X 28	1	
32	<b>00 0244 455 0</b>	CASTELLATED NUT	M16X1,5	1	
33	<b>00 0670 120 1</b>	BALL JOINT	27 X 25	1	
33	<b>00 0645 370 0</b>	RUBBER CAP	D 37	1	
34	<b>00 0676 231 0</b>	CONNCTION-STEEL		1	
35	<b>00 0676 232 0</b>	GUIDE	ERS.D.616286.0	1	
36	<b>00 0610 049 0</b>	TENSION SPRING	2 X 16,5X 65	4	
37	<b>00 0176 044 0</b>	CROP LIFTER		1	42)
38	<b>00 0176 045 0</b>	CROP LIFTER		1	42)
39	<b>00 0610 294 3</b>	CROP LIFTER		1	42)

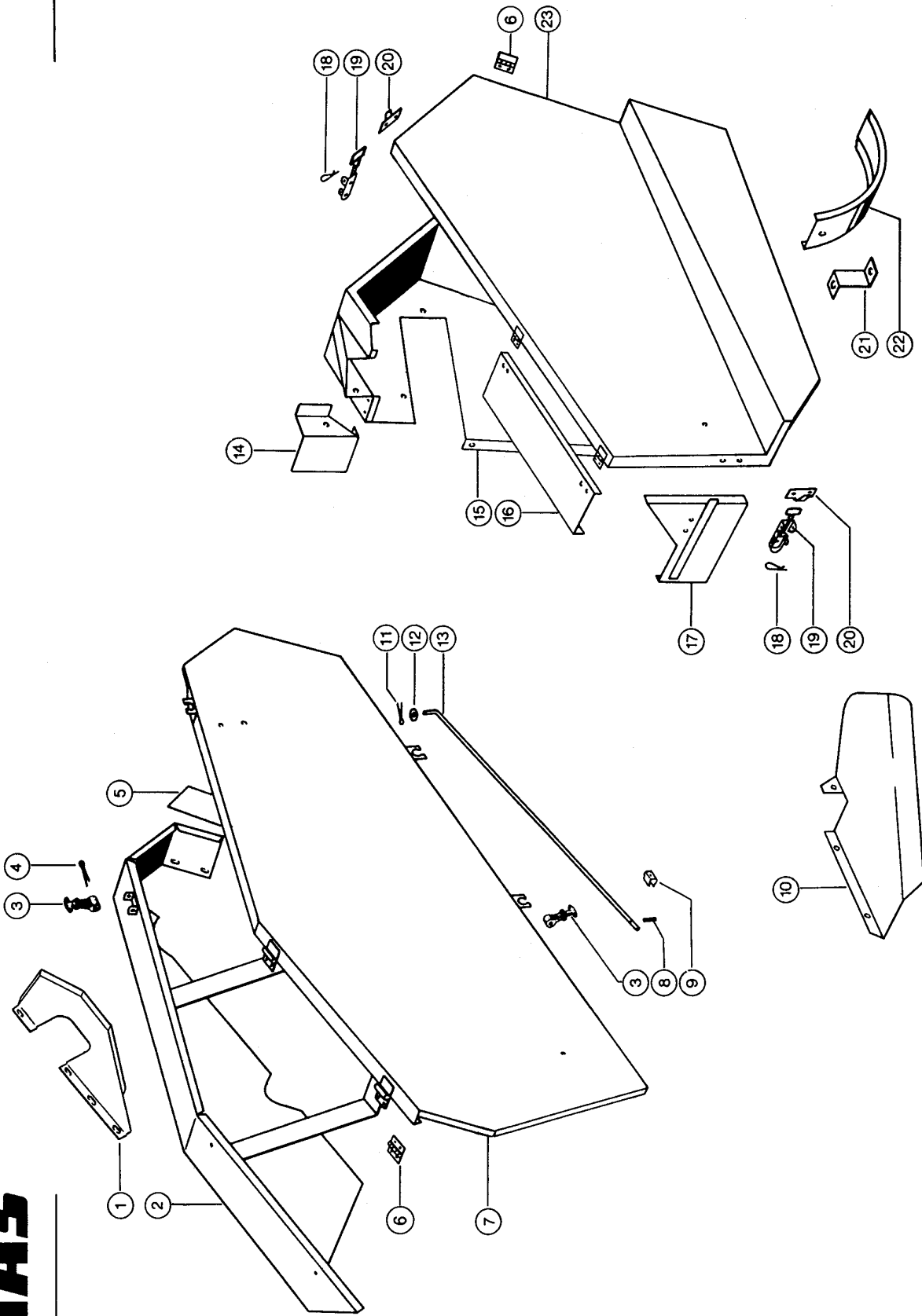
<b>1) Remarks</b>	* = AB SCHNEIDWERK 242593 + = BIS SCHNEIDWERK 242592
<b>2) Remarks</b>	at 3.9 m. short
<b>3) Remarks</b>	BEI 4,5 + 5,1 M. KURZ
<b>4) Remarks</b>	BEI 5,1 M. KURZ
<b>5) Remarks</b>	BEI 5,7 M. KURZ
<b>6) Remarks</b>	at 3.9 - 5.1 m. short
<b>7) Remarks</b>	at 3.6 m. long
<b>8) Remarks</b>	BEI 3,9 M. LANG
<b>9) Remarks</b>	BEI 4,2 M. LANG
<b>10) Remarks</b>	BEI 4,5 - 5,7 M. LANG
<b>11) Remarks</b>	BEI 5,1 M. LANG
<b>12) Remarks</b>	BEI 5,7 M. LANG
<b>13) Remarks</b>	from cutterbar 242593
<b>14) Remarks</b>	NR. 225308 - 242592

**CUTTER BAR 1)**

<b>15) Remarks</b>	BIS SCHNEIDW. 225307
<b>16) Remarks</b>	AB SCHNEIDWERK 225308
<b>17) Remarks</b>	(22, 26, 30, 34)
<b>18) Remarks</b>	from cutterbar 242530
<b>19) Remarks</b>	BIS SCHNEIDW. 242529
<b>20) Remarks</b>	(11, 13, 15, 17)
<b>21) Remarks</b>	(76, 92, 100, 108)
<b>22) Remarks</b>	at 3.6 m cutterbar *
<b>23) Remarks</b>	BEI 3,6 M SCHNEIDW. +
<b>24) Remarks</b>	BEI 3,6 M SCHNEIDWERK
<b>25) Remarks</b>	BEI 3,9 M SCHNEIDW. *
<b>26) Remarks</b>	BEI 3,9 M SCHNEIDW. +
<b>27) Remarks</b>	BEI 3,9 M SCHNEIDWERK
<b>28) Remarks</b>	BEI 4,2 M SCHNEIDW. *
<b>29) Remarks</b>	BEI 4,2 M SCHNEIDW. +
<b>30) Remarks</b>	BEI 4,5 M SCHNEIDW. *
<b>31) Remarks</b>	BEI 4,5 M SCHNEIDW. +
<b>32) Remarks</b>	BEI 4,5 M SCHNEIDWERK
<b>33) Remarks</b>	BEI 5,1 M SCHNEIDW. *
<b>34) Remarks</b>	BEI 5,1 M SCHNEIDW. +
<b>35) Remarks</b>	BEI 5,1 M SCHNEIDWERK
<b>36) Remarks</b>	BEI 5,7 M SCHNEIDW. *
<b>37) Remarks</b>	BEI 5,7 M SCHNEIDW. +
<b>38) Remarks</b>	BEI 5,7 M SCHNEIDWERK
<b>39) Remarks</b>	at long. cutterbar
<b>40) Remarks</b>	at 3.6 m cutterbar
<b>41) Remarks</b>	BEI 4,2 M SCHNEIDWERK
<b>42) Remarks</b>	optional

5

Dominator 96



**CLAAS**

**CUTTERBAR GUARD**

Pos.	Part No.	Description	Dimension	Quantity	Conditions
1	<b>00 0674 368 2</b>	COVER	1,5X547,5X211	1	
2	<b>00 0674 353 4</b>	COVER	S	1	
3	<b>00 0804 951 0</b>	HOOD HOLDER	64 X 40 X 16	3	
4	<b>00 0236 096 0</b>	SPLIT PIN	5 X 28	3	
5	<b>00 0677 814 1</b>	COVER PLATE	1,5X100X180	1	
6	<b>00 0725 773 0</b>	HINGE	48X 45	4	1)
6	<b>00 0505 737 2</b>	HINGE		4	2)
7	<b>00 0674 350 2</b>	GUARD		1	
8	<b>00 0237 783 0</b>	SPRING PIN	3 X 16	2	3)
9	<b>00 0652 433 0</b>	CLAMP SPRING	12X18X15X0,75	2	3)
10	<b>00 0680 217 1</b>	GUARD		1	1)
10	<b>00 0674 381 1</b>	GUARD		1	2)
11	<b>00 0235 112 0</b>	SPLIT PIN	3,2X 12	2	3)
12	<b>00 0236 912 2</b>	FLAT WASHER	8 - 8,4X16X1,6	2	3)
13	<b>00 0674 377 0</b>	SUPPORT	D7,75X817	2	3)
14	<b>00 0677 816 2</b>	COVER PLATE	1,5X176X172	1	
15	<b>00 0688 870 0</b>	REAR PANEL	S	1	
16	<b>00 0675 247 0</b>	SUPPORT	3X175X450	1	4)
17	<b>00 0688 873 0</b>	SUPPORT PLATE		1	
18	<b>00 0801 834 0</b>	ATT.CLIP SPRING	3X 90	3	
19	<b>00 0659 176 0</b>	LOCK	115X20 46-57	3	
20	<b>00 0604 447 0</b>	SUPPORT	3X60X43	3	
21	<b>00 0674 383 0</b>	SUPPORT	6,5X40X171	1	
22	<b>00 0674 382 0</b>	GUARD SHORT		1	
23	<b>00 0675 237 0</b>	COVER		1	4)
23	<b>00 0688 871 0</b>	IS SUBSTITUTED		1	5)

**1) Remarks** from cutterbar 228244

**2) Remarks** BIS SCHNEIDW. 228243

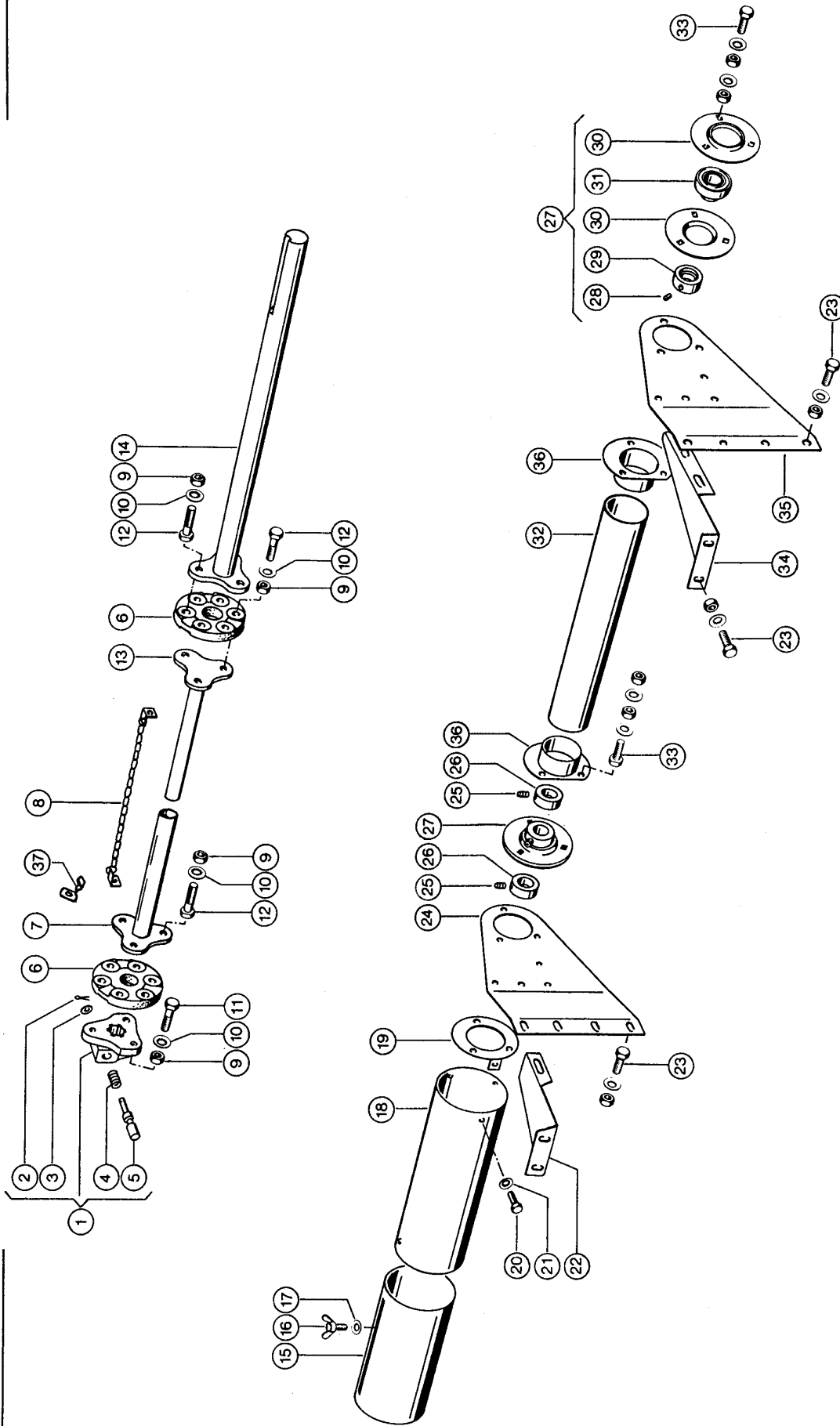
**3) Remarks** (1)

**4) Remarks** from cutterbar 222144

**5) Remarks** BIS SCHNEIDW. 222143

# 6

# CLAAS



100626

Dominator 96



**CUTTERBAR DRIVE**

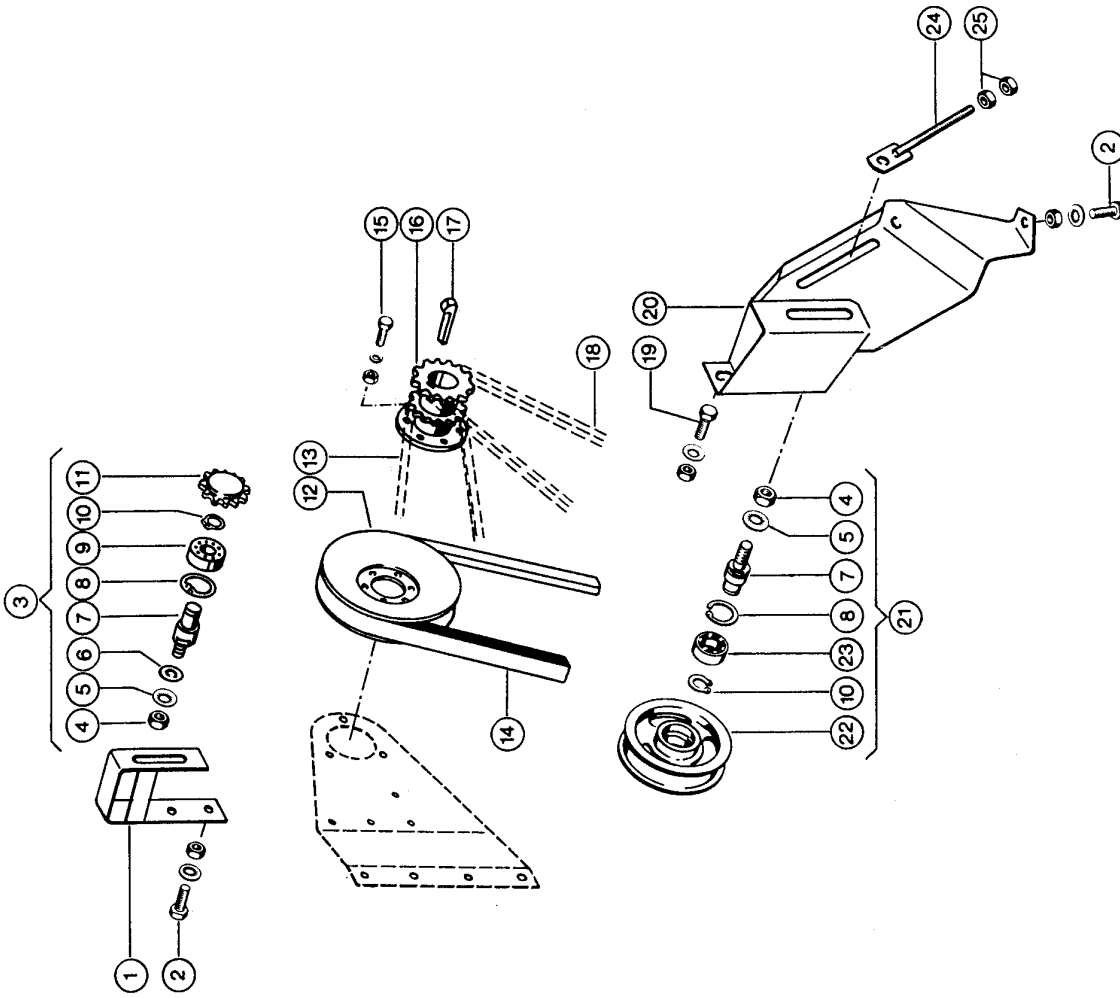
Pos.	Part No.	Description	Dimension	Quantity	Conditions
1	<b>00 0608 007 0</b>	SPLINED COUPLING		1	
2	<b>00 0235 112 0</b>	SPLIT PIN	3,2X 12	1	
3	<b>00 0237 787 0</b>	WASHER	7 X 12 X 1,6	1	
4	<b>00 0000 877 0</b>	COMPRESS.SPRING	1,25X11,55X 30	1	
5	<b>00 0500 812 1</b>	SLIDING PIN	D 13X95	1	
6	<b>00 0608 014 1</b>	COUPLING DISK		2	
7	<b>00 0608 009 1</b>	PROFILE TUBE	250 LANG	1	
8	<b>00 0608 015 1</b>	SUPPORTING CHAIN		1	1)
9	<b>00 0237 947 0</b>	HEX. NUT WITH CLAMP. PART	M10	12	
10	<b>00 0239 394 1</b>	CONTACT WASHER	B10	12	
11	<b>00 0215 010 0</b>	HEXAGON HEAD BOLT	M10X60	3	
12	<b>00 0238 010 0</b>	HEXAGON HEAD BOLT	M10X50	9	
13	<b>00 0608 012 0</b>	PROFILE SHAFT	260 LANG	1	
14	<b>00 0608 055 0</b>	COUNTERSHAFT	D 35, 556 LANG	1	2)
14	<b>00 0608 017 0</b>	COUNTERSHAFT	D 35, 705 LANG	1	3)
14	<b>00 0690 804 0</b>	COUNTERSHAFT	D 35, 858 LANG	1	4)
14	<b>00 0608 025 0</b>	COUNTERSHAFT	D 35,1010 LANG	1	5)
14	<b>00 0608 033 0</b>	COUNTERSHAFT	D 35,1315 LANG	1	6)
14	<b>00 0608 036 0</b>	COUNTERSHAFT	D 35,1229 LANG	1	7)
15	<b>00 0608 023 1</b>	SLIDING TUBE	1,5X240X488	1	8)
15	<b>00 0608 030 2</b>	SLIDING TUBE	1,5X390X488	1	9)
16	<b>00 0238 949 0</b>	WING SCREW	M 8X 16-C	1	
17	<b>00 0239 393 1</b>	CONTACT WASHER	B 8 -8.2X22X1,9	1	
18	<b>00 0608 020 1</b>	PROTECTIVE TUBE	340 LANG	1	8)
18	<b>00 0608 028 2</b>	PROTECTIVE TUBE	383 LANG	1	9)
19	<b>00 0608 070 1</b>	FLANGE		1	
20	<b>00 0237 439 0</b>	HEXAGON HEAD BOLT	M8X16	3	
21	<b>00 0239 387 0</b>	CONTACT WASHER	A8-8,2X18X1,4	3	
22	<b>00 0608 074 1</b>	REINFORCING PLATE	4X154X270	1	10)
23	<b>00 0237 383 0</b>	HEXAGON HEAD BOLT	M10X25	13	
23	<b>00 0236 171 0</b>	HEXAGONAL NUT	M10	13	
23	<b>00 0239 394 1</b>	CONTACT WASHER	B10	13	
24	<b>00 0608 058 0</b>	BEARING PLATE	6X255X386	1	2)
24	<b>00 0670 079 0</b>	BEARING PLATE	5X255X361	1	11)
25	<b>00 0236 552 0</b>	THREADED PIN	M10X 8	2	
26	<b>00 0503 414 1</b>	ADJUSTING RING	A 35X50X15-M10	2	
27	<b>00 0616 065 0</b>	LOCK COLLAR BEAR.	PEA 207	2	
28	<b>00 0236 325 0</b>	THREADED PIN	M8X10	2	
29	<b>00 0616 067 0</b>	LOCK COLLAR	W.ERS.D.6160671	2	
30	<b>00 0616 068 0</b>	METAL FLANGE	W.ERS.D.616068.1	4	
31	<b>00 0616 066 0</b>	LOCK COLLAR BEAR.	YEN 207	2	
32	<b>00 0608 057 0</b>	PROTECTIVE TUBE	72X 2X 275	1	2)
32	<b>00 0608 019 0</b>	PROTECTIVE TUBE	DI 72X430	1	3)
32	<b>00 0603 734 0</b>	PROTECTIVE TUBE	72X2X480	1	4)
32	<b>00 0608 027 0</b>	PROTECTIVE TUBE	DI 72X625	1	5)
32	<b>00 0608 032 0</b>	PROTECTIVE TUBE	DI 72X805	1	12)
33	<b>00 0235 532 0</b>	HEX.HEAD BOLT	M10X40	6	
33	<b>00 0236 171 0</b>	HEXAGONAL NUT	M10	12	
33	<b>00 0239 388 0</b>	CONTACT WASHER	A10-10,2X22,25X1,6	12	
34	<b>00 0608 074 1</b>	REINFORCING PLATE	4X154X270	1	2)
34	<b>00 0670 080 5</b>	REINFORCING PLATE	4X153X296	1	11)
35	<b>00 0673 388 0</b>	BEARING PLATE	5X255X361	1	
36	<b>00 0604 389 1</b>	FLANGE	1,5XD125	2	
37	<b>00 0608 080 0</b>	CLAMP SPRING		1	13)

**CUTTERBAR DRIVE**

<b>1) Remarks</b>	to cutterbar 225064
<b>2) Remarks</b>	at 3.6 m cutterbar
<b>3) Remarks</b>	BEI 3,9 M SCHNEIDWERK
<b>4) Remarks</b>	BEI 4,2 M SCHNEIDWERK
<b>5) Remarks</b>	BEI 4,5 M SCHNEIDWERK
<b>6) Remarks</b>	BEI 5,1 M SCHNEIDWERK
<b>7) Remarks</b>	BEI 5,7 M SCHNEIDWERK
<b>8) Remarks</b>	to 3.9 m cutterbar
<b>9) Remarks</b>	AB 4,2 M SCHNEIDWERK
<b>10) Remarks</b>	from 3.9 m cutterbar
<b>11) Remarks</b>	AB 3,9 M SCHNEIDWERK
<b>12) Remarks</b>	AB 5,1 M SCHNEIDWERK
<b>13) Remarks</b>	from cutterbar 225065

7

Dominator 96



**CLAAS**

**CUTTERBAR DRIVE**

Pos.	Part No.	Description	Dimension	Quantity	Conditions
1	<b>00 0676 187 0</b>	BRACKET		1	
2	<b>00 0237 383 0</b>	HEXAGON HEAD BOLT	M10X25	3	
2	<b>00 0236 171 0</b>	HEXAGONAL NUT	M10	3	
2	<b>00 0239 388 0</b>	CONTACT WASHER	A10-10,2X22,25X1,6	3	
3	<b>00 0673 329 2</b>	CHAIN PINION	15 Z.	1	
4	<b>00 0236 172 0</b>	HEXAGONAL NUT	M12	2	
5	<b>00 0239 395 1</b>	CONTACT WASHER	B12	2	
6	<b>00 0236 844 0</b>	WASHER	13X30X3	1	
7	<b>00 0772 620 0</b>	PIN	M12X20J6X 56	2	
8	<b>00 0235 181 0</b>	CIRCLIP	47X1,75	2	
9	<b>00 0235 911 0</b>	GRVD.BALL BEARING	6204-Z	1	
10	<b>00 0235 155 0</b>	CIRCLIP	20X1,2	2	
11	<b>00 0673 309 2</b>	TENSION PINION	15 Z.	1	
12	<b>00 0673 715 1</b>	V-BELT PULLEY	D 190 MM	1	
13	<b>00 0670 229 2</b>	ROLLER CHAIN	RE 317X72 E	1	1)
14	<b>00 0629 214 1</b>	V-BELT		1	2)
15	<b>00 0236 200 0</b>	HEXAGON HEAD BOLT	M8X20	6	
15	<b>00 0236 170 0</b>	HEXAGONAL NUT	M8	6	
15	<b>00 0239 387 0</b>	CONTACT WASHER	A8-8,2X18X1,4	6	
16	<b>00 0673 330 1</b>	DRIVING HUB		1	
17	<b>00 0238 458 0</b>	GIB-HEAD KEY	10X 8X 90	1	
18	<b>00 0676 277 0</b>	ROLLER CHAIN	19,05 T 109RO	1	3)
19	<b>00 0237 453 0</b>	HEXAGON HEAD BOLT	M10X30	2	
19	<b>00 0236 171 0</b>	HEXAGONAL NUT	M10	2	
19	<b>00 0239 394 1</b>	CONTACT WASHER	B10	2	
20	<b>00 0688 514 0</b>	SUPPORT		1	
21	<b>00 0772 170 2</b>	TENSION ROLL ASS	D 174 MM	1	
22	<b>00 0772 169 1</b>	TENSION PULLEY	D 160	1	
23	<b>00 0235 872 0</b>	GRVD.BALL BEARING	6204-RS*	1	
24	<b>00 0680 539 0</b>	TENSION SCREW		1	
25	<b>00 0236 171 0</b>	HEXAGONAL NUT	M10	2	

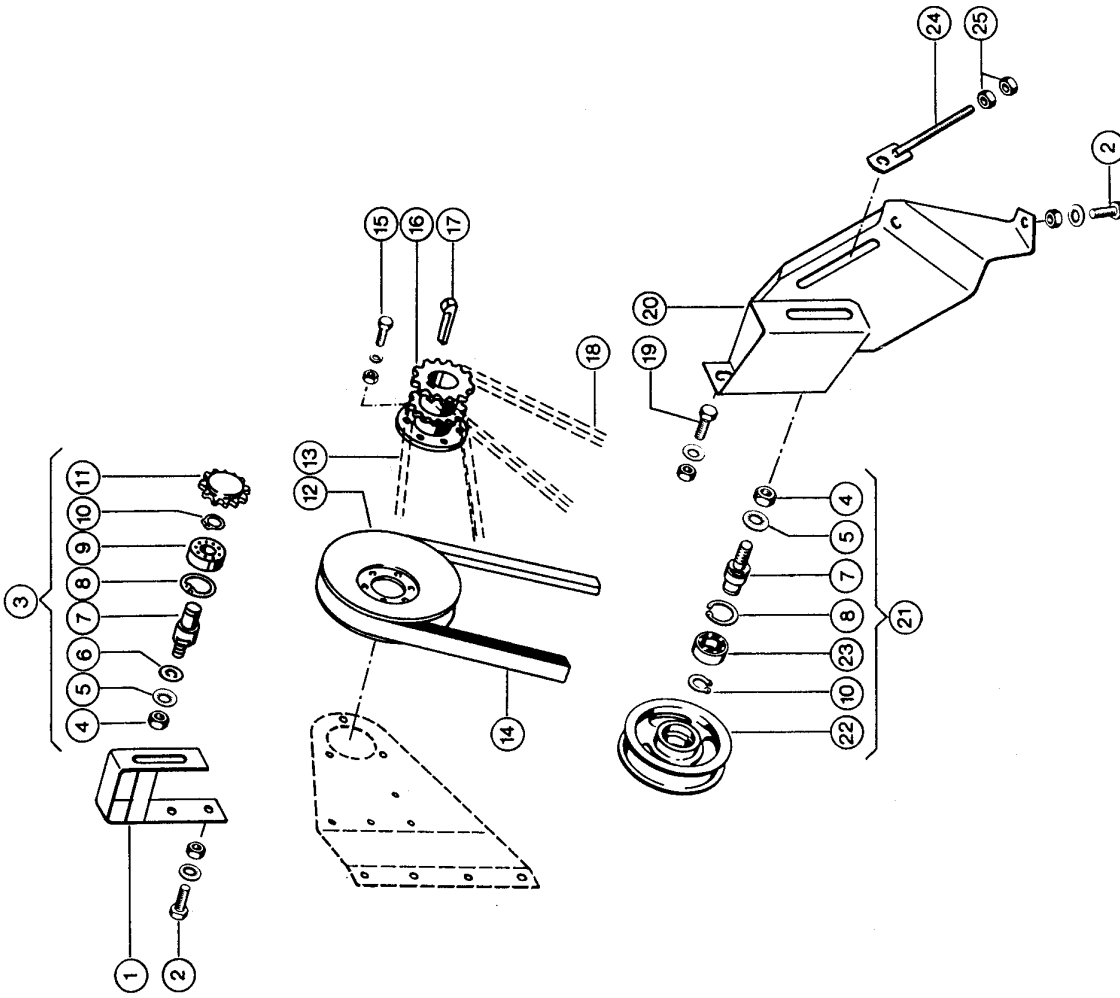
**1) Remarks** for variable speed drive

**2) Remarks** for knife drive

**3) Remarks** to the feeder drum

7

Dominator 96



**CLAAS**

Thank you so much for reading.  
Please click the “Buy Now!”  
button below to download the  
complete manual.



After you pay.

You can download the most  
perfect and complete manual in  
the world immediately.

Our support email:

[ebooklibonline@outlook.com](mailto:ebooklibonline@outlook.com)