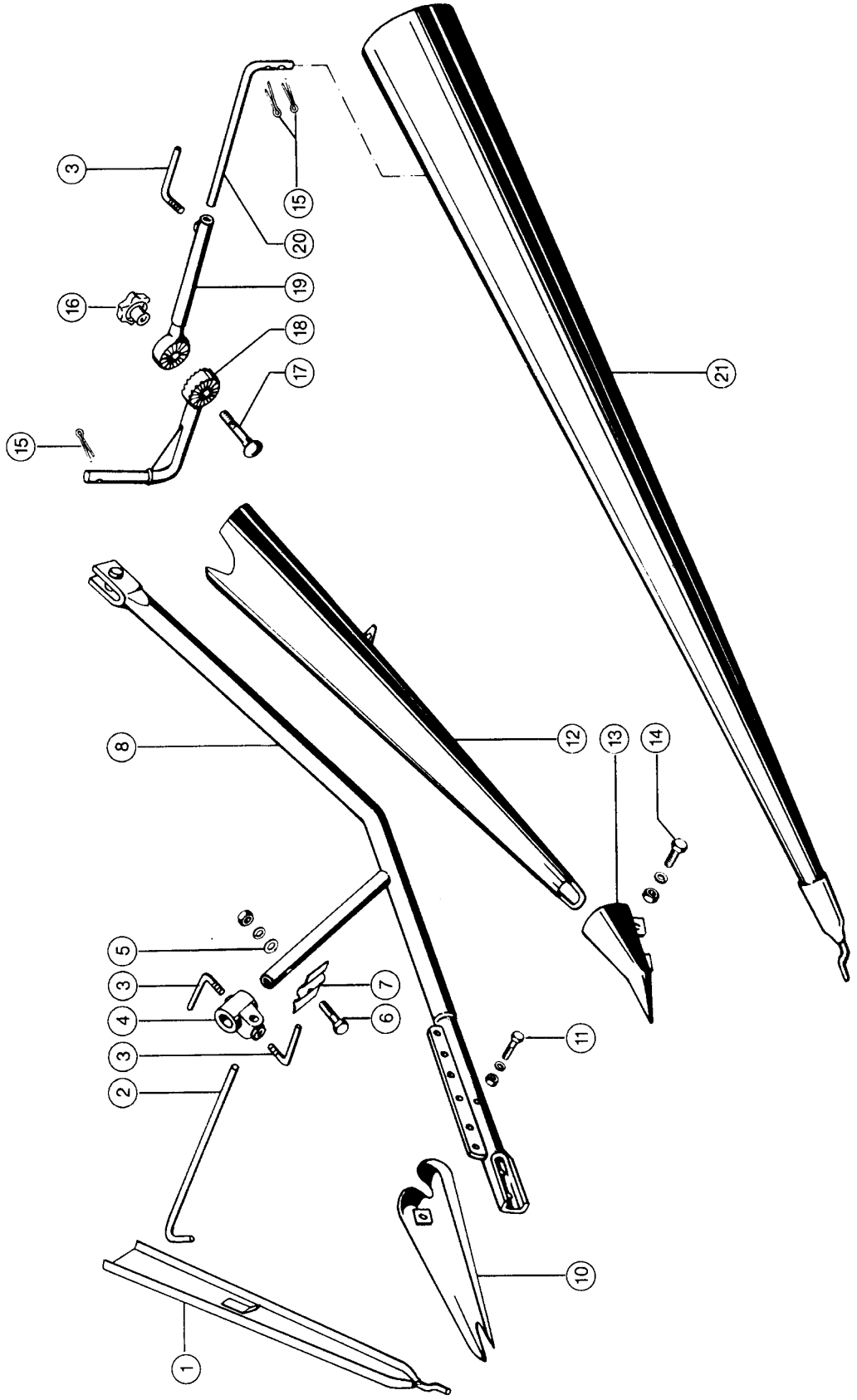


1

Dominator 98



CLAAS

DIVIDER, VAR. 2556, 2527 1)

Pos.	Part No.	Description	Dimension	Quantity	Conditions
1	00 0612 558 1	INT.DIVIDER LONG	870 LANG	2	2)
1	00 0612 579 0	INT.DIVIDER SHORT	600 LANG	2	3)
2	00 0616 214 1	ADJUSTING ROD	D 12X490	2	
3	00 0500 924 2	TOMMY SCREW	M 12	6	
4	00 0609 887 0	CROSS BEARING		2	
5	00 0236 913 2	FLAT WASHER	10-10,5X20X2	4	
6	00 0235 533 0	HEX.HEAD BOLT	M10X45	4	
6	00 0236 171 0	HEXAGONAL NUT	M10	4	
6	00 0239 388 0	CONTACT WASHER	A10-10,2X22,25X1,6	4	
7	00 0609 888 1	INTERMED.PIECE	1,5X37X58	4	
8	00 0609 893 1	DIVIDER SUPP.TUBE	1800 LG	2	2)
8	00 0609 867 1	DIVIDER SUPP.TUBE	1540 LG	2	3)
10	00 0610 236 1	GLIDE SKID	320X115X50	2	
11	00 0235 519 0	HEXAGON HEAD BOLT	M 8X50	2	
11	00 0236 170 0	HEXAGONAL NUT	M8	2	
11	00 0239 387 0	CONTACT WASHER	A8-8,2X18X1,4	2	
12	00 0674 389 4	DIVIDER CEN.PLATE	1000 LANG	2	2)
12	00 0670 372 3	DIVIDER CEN.PLATE	840 LANG	2	3)
13	00 0520 020 1	POINT	230X105X90	2	
14	00 0237 383 0	HEXAGON HEAD BOLT	M10X25	4	
14	00 0236 171 0	HEXAGONAL NUT	M10	4	
14	00 0239 388 0	CONTACT WASHER	A10-10,2X22,25X1,6	4	
15	00 0235 097 0	SPLIT PIN	5X36	6	
16	00 0504 504 0	HANDLE	N 100	1	4)
16	00 0238 056 0	CONTROL KNOB	K 63-M12	1	4)
16	00 0238 056 0	CONTROL KNOB	K 63-M12	2	5)
17	00 0238 913 0	COACH BOLT	M12X 60	1	4)
17	00 0211 180 1	COACH BOLT	M12X 55	1	4)
17	00 0211 180 1	COACH BOLT	M12X 55	2	5)
18	00 0609 873 0	ADJUSTING PLATE		2	
19	00 0609 861 0	ADJUSTING TUBE	330 LANG	2	6)
19	00 0609 876 0	ADJUSTING TUBE	625 LANG	2	7)
19	00 0609 861 0	ADJUSTING TUBE	330 LANG	2	3)
20	00 0610 579 0	SUPPORT	D20X312	2	8)
20	00 0610 209 0	ADJUSTING ROD	D20X660	2	9)
21	00 0610 274 4	OUTER DIVIDER		2	10)
21	00 0609 885 2	OUTER DIVIDER		2	11)
21	00 0610 274 4	OUTER DIVIDER		2	3)

1) Remarks Var. 2556 = Long Divider
Var. 2527 = Short Divider

2) Remarks Var. 2556

3) Remarks Var. 2527

4) Remarks from cutterbar 267062

5) Remarks to cutterbar 267061

6) Remarks Var. 2556
from cutterbar 267062

7) Remarks Var. 2556
to cutterbar 267061

8) Remarks from cutterbar 264387

9) Remarks to cutterbar 264386

DIVIDER, VAR. 2556, 2527 1)

10) Remarks

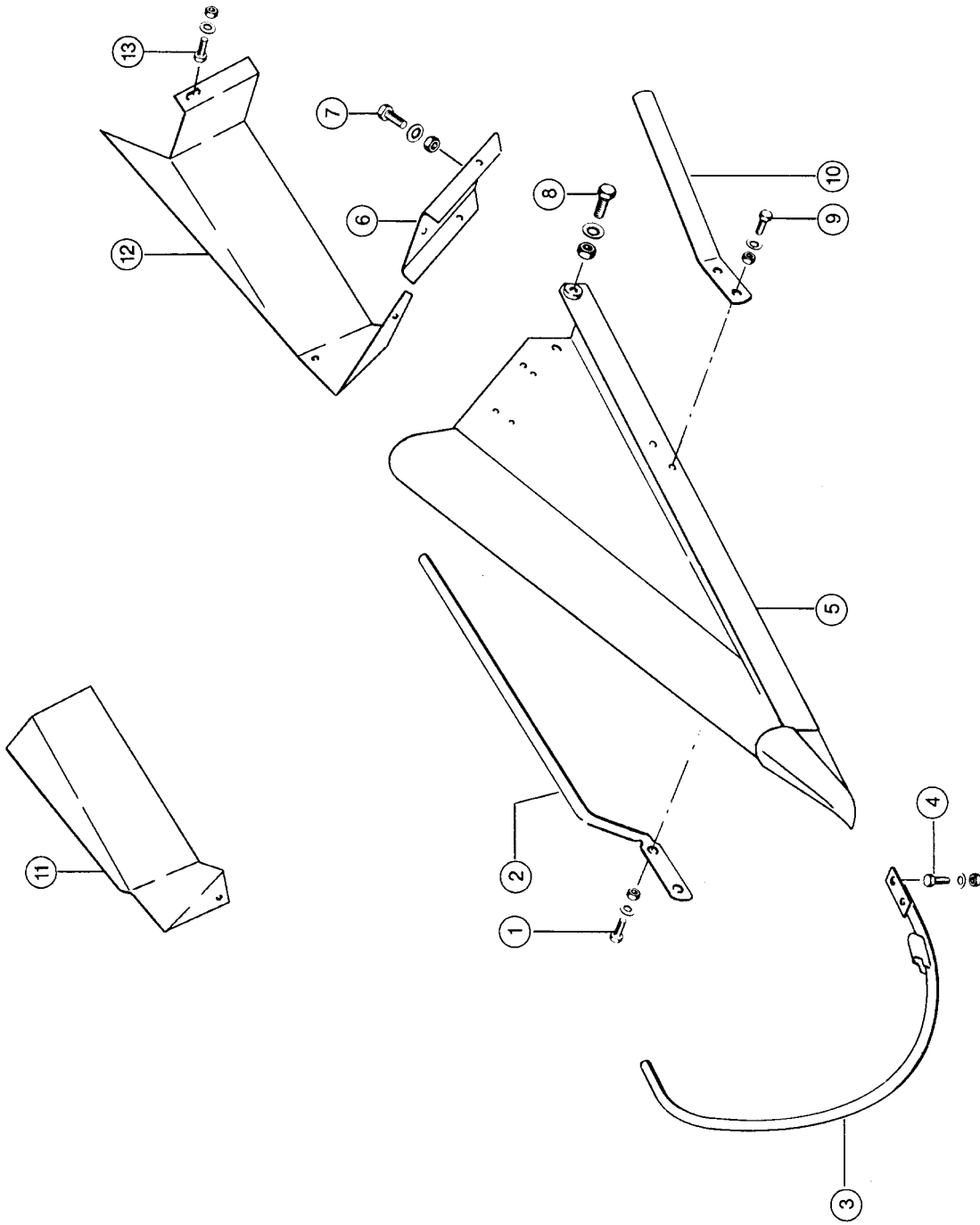
Var. 2556
from cutterbar 264387

11) Remarks

Var. 2556
to cutterbar 264386

2

Dominator 98



CLAAS

SPECIAL CROP DIVIDER, VAR. 4282 1)

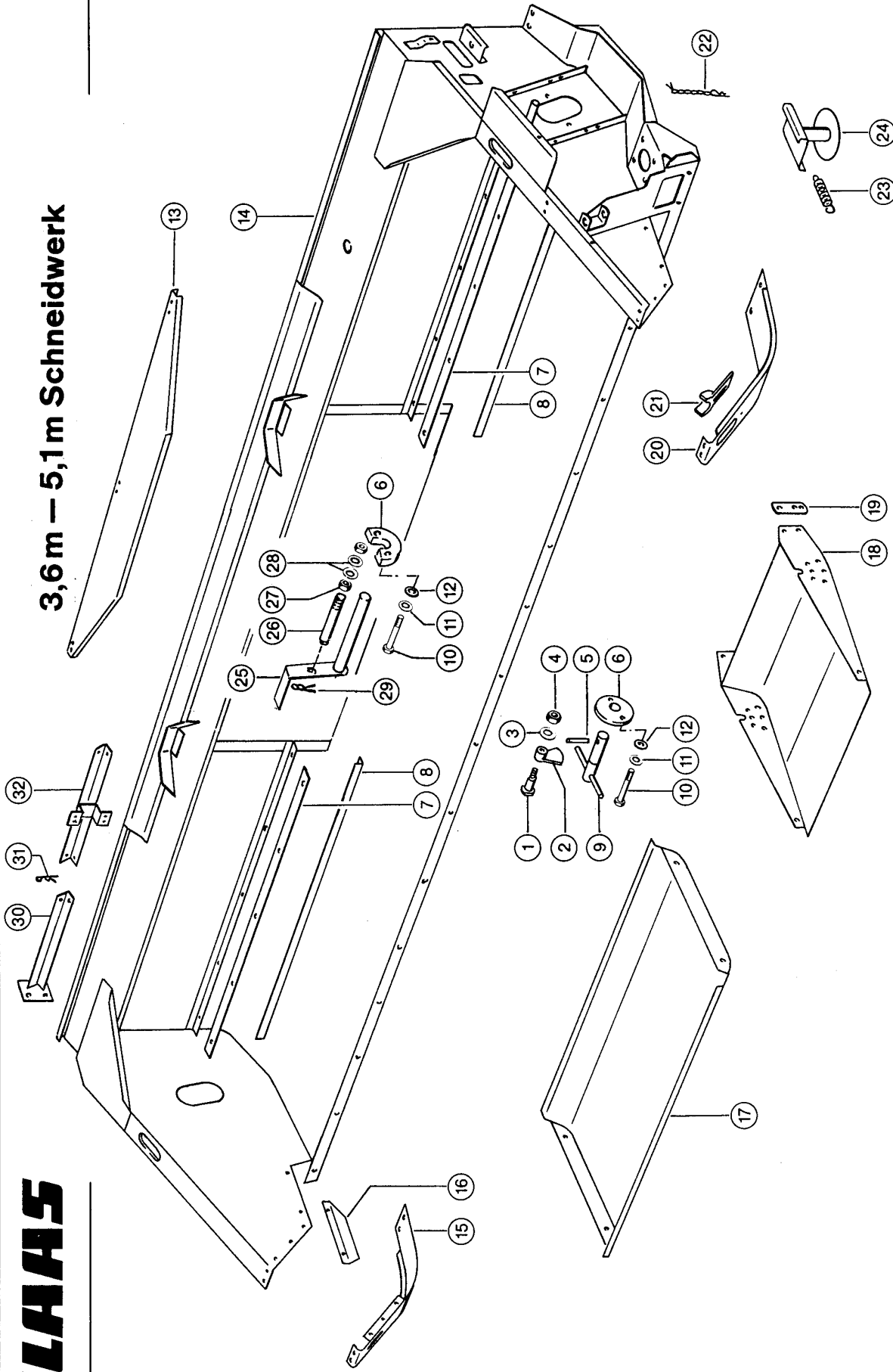
Pos.	Part No.	Description	Dimension	Quantity	Conditions
1	00 0234 953 0	COACH BOLT	M8X20X13	4	2)
1	00 0236 170 0	HEXAGONAL NUT	M8	4	2)
1	00 0239 387 0	CONTACT WASHER	A8-8,2X18X1,4	4	2)
2	00 0688 975 1	DEFLECTOR INNER		2	2)
3	00 0688 025 0	BEND DIVIDER		2	2)
4	00 0237 442 0	HEXAGON HEAD BOLT	M8X25	4	2)
4	00 0236 170 0	HEXAGONAL NUT	M8	4	2)
4	00 0239 387 0	CONTACT WASHER	A8-8,2X18X1,4	4	2)
5	00 0688 969 1	DIVIDER L.H.		1	
5	00 0688 970 1	DIVIDER R.H.		1	
6	00 0688 974 1	SUPPORT	4X161X200	2	
7	00 0237 423 0	HEXAGON HEAD BOLT	M10X28	4	
7	00 0236 171 0	HEXAGONAL NUT	M10	4	
7	00 0239 388 0	CONTACT WASHER	A10-10,2X22,25X1,6	4	
8	00 0236 056 0	HEXAGON HEAD BOLT	M12X25	4	
8	00 0236 172 0	HEXAGONAL NUT	M12	4	
8	00 0239 389 0	CONTACT WASHER	A12	4	
9	00 0237 439 0	HEXAGON HEAD BOLT	M8X16	4	
9	00 0236 170 0	HEXAGONAL NUT	M8	4	
9	00 0239 387 0	CONTACT WASHER	A8-8,2X18X1,4	4	
10	00 0688 976 0	DEFLECTOR OUTER	3,0X0030X0400	2	
11	00 0670 069 1	DEFLECTOR R.H.	1,5X278,5X600	1	3)
12	00 0670 070 1	DEFLECTOR L.H.	1,5X0280X0600	1	3)
13	00 0237 439 0	HEXAGON HEAD BOLT	M8X16	2	3)
13	00 0236 170 0	HEXAGONAL NUT	M8	2	3)
13	00 0239 387 0	CONTACT WASHER	A8-8,2X18X1,4	4	3)

1) Remarks	optional
2) Remarks	not at Var. 4282
3) Remarks	from cutterbar 262525

3

3,6 m – 5,1 m Schneidwerk

CLAAS



Dominator 98

107061

CUTTERBAR DRIVE 1)

Pos.	Part No.	Description	Dimension	Quantity	Conditions
1	00 0235 554 0	HEXAGON HEAD BOLT	M12X50	2	2)
1	00 0653 251 1	PIN	16XH11X19X36	2	3)
2	00 0670 155 2	FUSE		2	4)
3	00 0239 389 0	CONTACT WASHER	A12	2	4)
4	00 0236 172 0	HEXAGONAL NUT	M12	2	4)
5	00 0244 578 0	SPRING PIN	10 X 40 -ST	2	4)
6	00 0670 156 1	GUIDE		2	
7	00 0688 053 2	STRIPPER	3X35X1017	2	5)
7	00 0670 074 2	STRIPPER	3X35X1170	2	6)
7	00 0690 497 0	STRIPPER	3X35X1322	2	7)
7	00 0670 282 2	STRIPPER	3X35X1475	2	8)
7	00 0674 251 2	STRIPPER	3X35X1780	2	9)
8	00 0650 281 1	STRIPPER ANGLE	30X20X862,5	2	5)
8	00 0650 297 2	STRIPPER ANGLE	30X20X3X1015	2	6)
8	00 0688 016 1	STRIPPER ANGLE	30X20X3X1167,5	2	7)
8	00 0688 045 2	STRIPPER ANGLE	30X20X3X1320	2	8)
8	00 0688 017 2	STRIPPER ANGLE	30X20X3X1625	2	9)
9	00 0670 160 2	BOLT		2	4)
10	00 0235 563 0	HEXAGON HEAD BOLT	M12X100	2	10)
10	00 0237 572 0	HEXAGON HEAD BOLT	M12X35	2	10)
10	00 0237 820 0	HEXAGON HEAD BOLT	M12X90	2	3)
10	00 0237 260 0	HEXAGON HEAD SCREW	W.ERS.D.2374610	2	3)
11	00 0239 389 0	CONTACT WASHER	A12	4	
12	00 0235 124 3	FLAT WASHER	12- 13X24X2,5	16	
13	00 0688 102 3	DUST SHIELD	1,5X265X1400	1	
14	00 0650 220 1	CUTTERBAR TABLE	3,60M	1	5)
14	00 0650 230 1	CUTTERBAR TABLE	3,90M	1	6)
14	00 0650 240 1	CUTTERBAR TABLE	4,20M S	1	7)
14	00 0650 110 2	CUTTERBAR TABLE	4,50M S	1	8)
14	00 0650 002 1	CUTTERBAR TABLE	5,10M S	1	9)
15	00 0650 054 0	OUTER SHOE RH.	5X141X827	1	
16	00 0604 253 1	GUARD PLATE R.H.	1,5X124X280	1	
17	00 0673 781 4	SKID SHOE		1	
18	00 0603 902 0	SKID SHOE		2	
19	00 0603 899 1	CONNECTING PLATE	30X10X98	4	
20	00 0650 049 1	OUTER SHOE LH.	5X219,5X827	1	
21	00 0603 868 1	DIVIDER SUPPORT		2	
22	00 0673 763 0	LOCK CHAIN		2	
23	00 0942 497 0	TENSION SPRING	2,5 X 25 X 96	2	11)
24	00 0645 802 0	SUPPORT		2	11)
25	00 0650 916 0	PLUG		2	12)
26	00 0615 756 0	PIN	12H9X140	2	12)
27	00 0236 172 0	HEXAGONAL NUT	M12	4	12)
28	00 0239 389 0	CONTACT WASHER	A12	4	12)
29	00 0673 749 0	SPRING CLIP	4,5X90	4	12)
30	00 0707 865 1	SUPPORT		1	13)
31	00 0665 666 0	SPRING CLIP	3X90	2	
32	00 0708 151 1	SUPPORT	3.6, 3.9, 4.2M	1	14)

1) Remarks With 3.6 m - 5.1 m Cutterbar

2) Remarks cutterbar 260200-85003344

3) Remarks to cutterbar 260199

4) Remarks to cutterbar 85003344

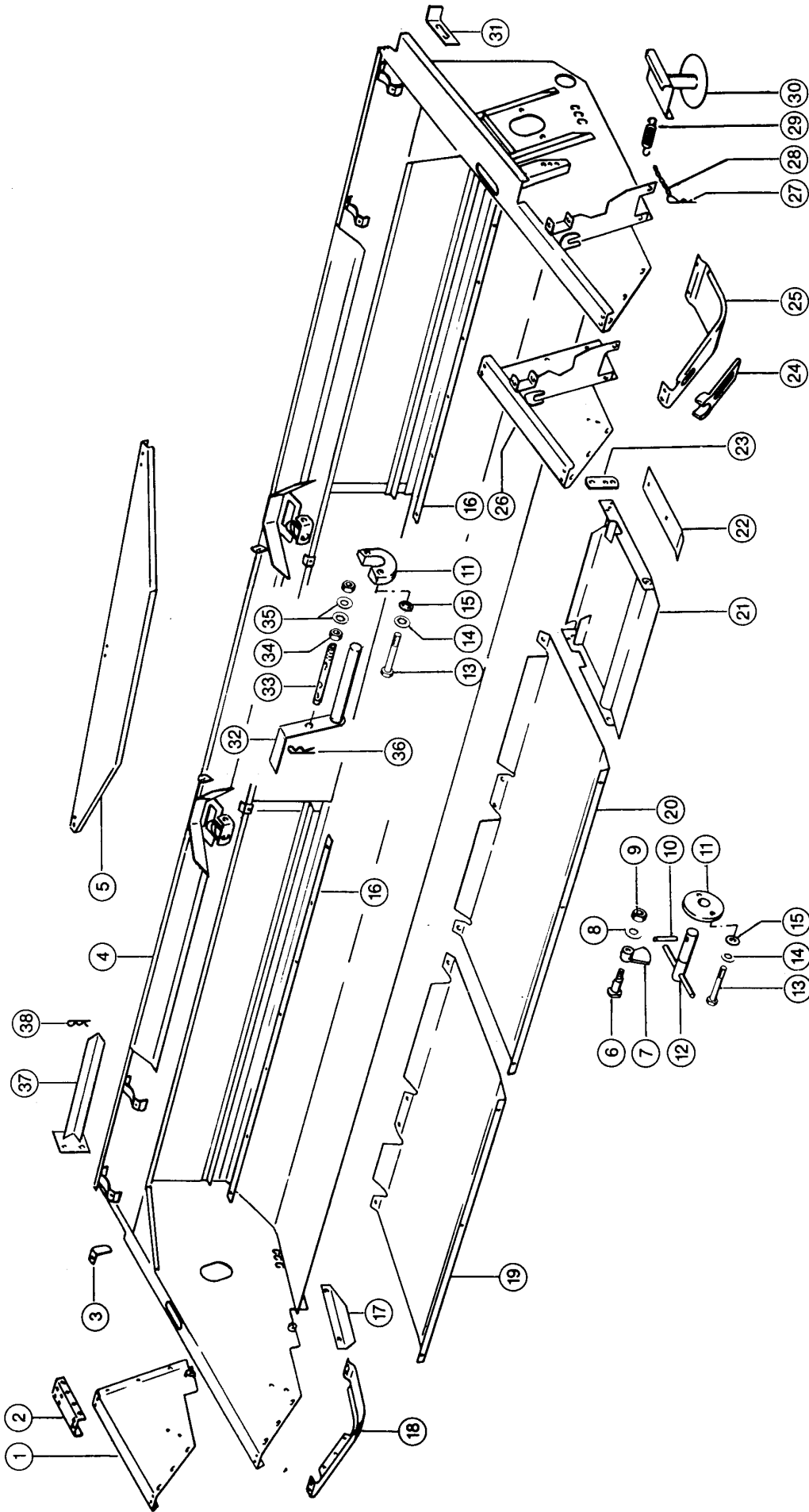
CUTTERBAR DRIVE 1)

5) Remarks	at 3.6 m cutterbar
6) Remarks	at 3.9 m cutterbar
7) Remarks	at 4.2 m cutterbar
8) Remarks	at 4.5 m cutterbar
9) Remarks	at 5.1 m cutterbar
10) Remarks	from cutterbar 260200
11) Remarks	(1)
12) Remarks	from cutterbar 85003345
13) Remarks	from cutterbar 70200411
14) Remarks	from cutterbar 70100051

CLAAS

**5,1 m Schneidwerk
"VERSTÄRKT"**

3A



107062

Dominator 98

CUTTERBAR TROUGH, VAR. 9432, 7606 1)

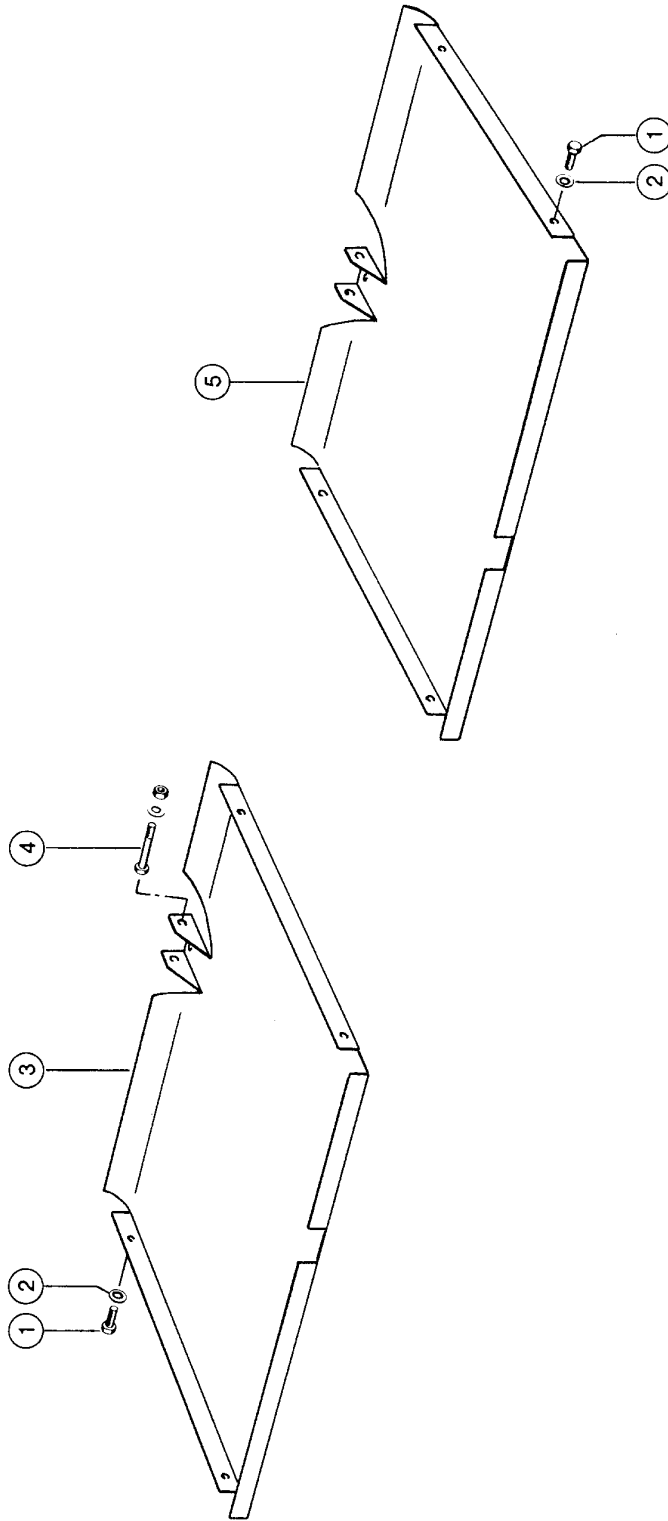
Pos.	Part No.	Description	Dimension	Quantity	Conditions
1	00 0645 477 3	SIDE WALL R.H.		1	2)
2	00 0645 959 1	U-PLATE	2,5X148,4X198	2	2)
3	00 0651 428 1	ANGLE	25X5X76	1	
4	00 0650 598 5	CUTTERBAR TABLE	510 SO CA S	1	
5	00 0688 102 3	DUST SHIELD	1,5X265X1400	1	
6	00 0235 554 0	HEXAGON HEAD BOLT	M12X50	2	3)
7	00 0670 155 2	FUSE		2	3)
8	00 0239 389 0	CONTACT WASHER	A12	2	3)
9	00 0236 172 0	HEXAGONAL NUT	M12	2	3)
10	00 0244 578 0	SPRING PIN	10 X 40 -ST	2	3)
11	00 0670 156 1	GUIDE		2	
12	00 0670 160 2	BOLT		2	3)
13	00 0235 563 0	HEXAGON HEAD BOLT	M12X100	2	
13	00 0237 572 0	HEXAGON HEAD BOLT	M12X35	2	
14	00 0239 389 0	CONTACT WASHER	A12	4	
15	00 0235 124 3	FLAT WASHER	12- 13X24X2,5	16	
16	00 0674 251 2	STRIPPER	3X35X1780	2	
17	00 0604 253 1	GUARD PLATE R.H.	1,5X124X280	1	
18	00 0645 423 2	OUTER SHOE RH.		1	
19	00 0645 408 0	STONE GUARD	3X779X1814	1	
20	00 0645 407 0	STONE GUARD	3X779X1522	1	
21	00 0645 409 2	SKID SHOE		2	
22	00 0645 412 0	COVERING	3X100X364	2	4)
23	00 0603 899 1	CONNECTING PLATE	30X10X98	4	
24	00 0603 868 1	DIVIDER SUPPORT		2	
25	00 0645 422 4	OUTER SHOE LH.	5X219,5X804	1	
26	00 0645 466 2	SIDE WALL L.H.		1	2)
27	00 0673 749 0	SPRING CLIP	4,5X90	2	
28	00 0778 096 0	KNOT CHAIN	2X 28X 3GL	2	
29	00 0942 497 0	TENSION SPRING	2,5 X 25 X 96	2	
30	00 0645 802 0	SUPPORT		2	
31	00 0645 504 0	KNIFE SUPPORT	6X30X180	1	
32	00 0650 916 0	PLUG		2	5)
33	00 0615 756 0	PIN	12H9X140	2	5)
34	00 0236 172 0	HEXAGONAL NUT	M12	4	5)
35	00 0239 389 0	CONTACT WASHER	A12	4	5)
36	00 0673 749 0	SPRING CLIP	4,5X90	4	5)
37	00 0707 865 1	SUPPORT		1	6)
38	00 0665 666 0	SPRING CLIP	3X90	2	

1)	Remarks	From Cutterbar No. 277709 With 5,1 m Cutterbar "reinforced"
2)	Remarks	to cutterbar 288352
3)	Remarks	to cutterbar 85003344
4)	Remarks	to cutterbar 286195
5)	Remarks	from cutterbar 85003345
6)	Remarks	from cutterbar 70200411

CLAAS

3,6 m – 5,1 m Schneidwerk

4



107063

Dominator 98

STONE GUARD, VAR. 4944, 4945, 4946 1)

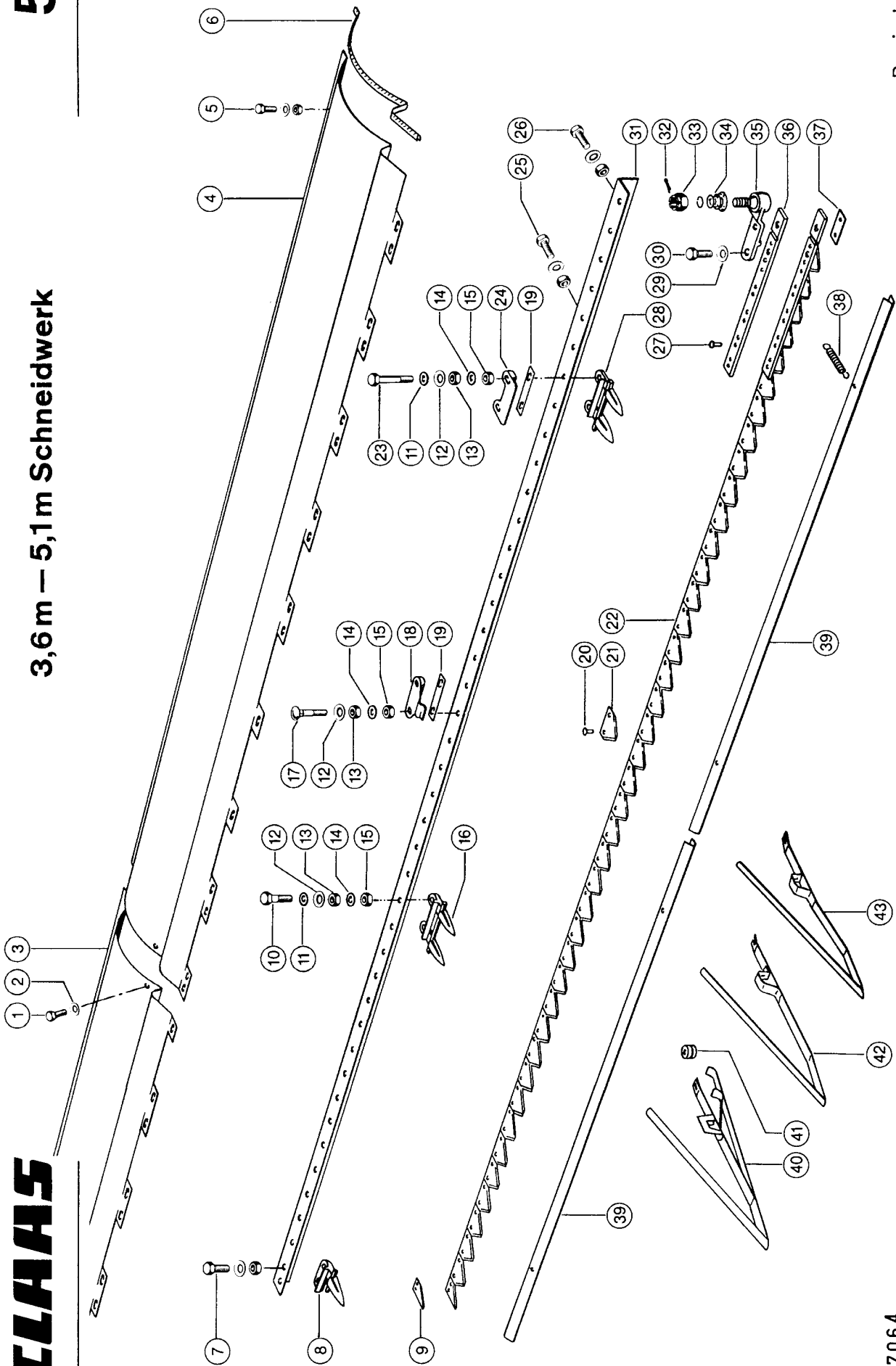
Pos.	Part No.	Description	Dimension	Quantity	Conditions
1	00 0237 383 0	HEXAGON HEAD BOLT	M10X25	8	
2	00 0239 388 0	CONTACT WASHER	A10-10,2X22,25X1,6	8	
3	00 0650 313 0	STONE GUARD, R.H.	661 LANG	1	2)
3	00 0650 318 0	STONE GUARD, R.H.	814 LANG	1	3)
3	00 0650 323 0	STONE GUARD, R.H.	966 LANG	1	4)
3	00 0650 328 0	STONE GUARD, R.H.	1119 LANG	1	5)
3	00 0688 021 0	STONE GUARD, R.H.	1424 LANG	1	6)
4	00 0235 223 1	HEXAGON HEAD BOLT	M10X100	2	
4	00 0236 171 0	HEXAGONAL NUT	M10	2	
4	00 0239 388 0	CONTACT WASHER	A10-10,2X22,25X1,6	2	
4	00 0236 913 2	FLAT WASHER	10-10,5X20X2	2	
5	00 0650 312 0	STONE GUARD, L.H.	661 LANG	1	2)
5	00 0650 317 0	STONE GUARD, L.H.	814 LANG	1	3)
5	00 0650 322 0	STONE GUARD, L.H.	966 LANG	1	4)
5	00 0650 327 0	STONE GUARD, L.H.	1119 LANG	1	5)
5	00 0688 020 0	STONE GUARD, L.H.	1424 LANG	1	6)

1) Remarks	optional
2) Remarks	at 3.6 m cutterbar
3) Remarks	at 3.9 m cutterbar
4) Remarks	at 4.2 m cutterbar
5) Remarks	at 4.5 m cutterbar
6) Remarks	at 5.1 m cutterbar

CLAAS

3,6 m – 5,1 m Schneidwerk

5



Dominator 98

107064

CUTTER BAR 1)

Pos.	Part No.	Description	Dimension	Quantity	Conditions
1	00 0610 097 1	COACH BOLT	M8X16	2	
2	00 0239 387 0	CONTACT WASHER	A8-8,2X18X1,4	2	
3	00 0650 305 0	GUIDING PLATE	1,5X0483X1095	1	2)
3	00 0650 306 0	GUIDING PLATE	1,5X0483X1400	1	3)
3	00 0650 307 0	GUIDING PLATE	1,5X483X1705	1	4)
3	00 0650 157 0	GUIDING PLATE	1,5X483X2010	1	5)
3	00 0650 095 0	GUIDING PLATE	1,5X483X2620	1	6)
4	00 0650 125 0	GUIDING PLATE	1,5X0483X2505	1	
5	00 0237 439 0	HEXAGON HEAD BOLT	M8X16	1	
5	00 0236 170 0	HEXAGONAL NUT	M8	1	
5	00 0239 387 0	CONTACT WASHER	A8-8,2X18X1,4	1	
6	00 0200 909 0	SEALING PROFILE	20,5X9,25X1,5	1	7)
7	00 0237 874 0	HEXAGON HEAD BOLT	M10X35	3	
7	00 0236 171 0	HEXAGONAL NUT	M10	3	
7	00 0239 388 0	CONTACT WASHER	A10-10,2X22,25X1,6	3	
8	00 0676 241 4	END FINGER		1	
9	00 0611 204 1	KNIFE SECTION		1	
9	00 0611 319 0	KNIFE SECTION PL.		1	
10	00 0235 534 1	HEXAGON HEAD BOLT	M10X50X29	23	8)
11	00 0238 292 0	WASHER	10,5X 22 X1	27	9)
12	00 0235 133 1	SPRING WASHER	10 -10,2X18,1X1,8	47	10)
13	00 0236 171 0	HEXAGONAL NUT	M10	47	10)
14	00 0236 831 0	WASHER	10,5X25X2	47	10)
15	00 0237 947 0	HEX. NUT WITH CLAMP. PART	M10	47	10)
16	00 0676 235 3	DOUBLE FINGER		20	11)
16	00 0648 406 0	DOUBLE FINGER		1	12)
17	00 0236 462 0	COACH BOLT	M10X60	20	11)
18	00 0676 236 0	PRESSURE THUMB		10	13)
19	00 0673 753 1	SHIM		68	14)
19	00 0688 957 0	SHIM		1	
20	00 0237 663 0	COUNTERSUNK RIVET	6X17	1	
21	00 0611 203 1	KNIFE SECTION		1	
21	00 0611 318 0	KNIFE SECTION PL.		1	
22	00 0611 229 2	MOWER KNIFE,SERRATED		2	2)
22	00 0688 070 1	MOWER KNIFE, PLAIN		2	2)
22	00 0611 222 3	MOWER KNIFE		2	3)
22	00 0676 306 1	MOWER KNIFE, PLAIN		2	3)
22	00 0611 022 0	MOWER KNIFE,SERRATED		2	4)
22	00 0611 213 3	MOWER KNIFE		2	5)
22	00 0676 321 1	MOWER KNIFE, PLAIN		2	5)
22	00 0611 214 3	MOWER KNIFE		2	6)
22	00 0676 322 1	MOWER KNIFE, PLAIN		2	6)
23	00 0237 808 0	HEXAGON HEAD BOLT	M10X75	4	
24	00 0613 017 2	KNIFE CLIP		2	
25	00 0237 383 0	HEXAGON HEAD BOLT	M10X25	13	15)
25	00 0236 171 0	HEXAGONAL NUT	M10	13	15)
25	00 0239 388 0	CONTACT WASHER	A10-10,2X22,25X1,6	13	15)
26	00 0237 874 0	HEXAGON HEAD BOLT	M10X35	2	
26	00 0236 171 0	HEXAGONAL NUT	M10	2	
26	00 0239 388 0	CONTACT WASHER	A10-10,2X22,25X1,6	2	
27	00 0237 054 0	COUNTERSUNK RIVET	6 X30	14	
27	00 0237 664 0	COUNTERSUNK RIVET	6X20	3	
28	00 0676 249 1	DOUBLE FINGER		4	
28	00 0648 407 0	DOUBLE FINGER		1	12)

CUTTER BAR 1)

Pos.	Part No.	Description	Dimension	Quantity	Conditions
29	00 0239 389 0	CONTACT WASHER	A12	2	
30	00 0236 056 0	HEXAGON HEAD BOLT	M12X25	2	
31	00 0688 064 1	KNIFE CUTTERBAR	50X50X3915	1	2)
31	00 0673 774 1	KNIFE CUTTERBAR	50X50X4220	1	3)
31	00 0650 273 0	KNIFE CUTTERBAR	50X50X7X4510	1	4)
31	00 0673 752 2	KNIFE CUTTERBAR	50X50X7X4815	1	5)
31	00 0674 256 1	KNIFE CUTTERBAR	50X50X7X5440	1	6)
32	00 0235 090 0	SPLIT PIN	4 X 28	1	
33	00 0244 455 0	CASTELLATED NUT	M16X1,5	1	
34	00 0645 370 0	RUBBER CAP	D 37	1	
35	00 0670 120 1	BALL JOINT	27 X 25	1	
36	00 0676 231 0	CONNCETION-STEEL		1	
37	00 0616 286 0	SCRAPER BLADE		1	16)
37	00 0676 232 0	GUIDE	ERS.D.616286.0	1	17)
38	00 0610 049 0	TENSION SPRING	2 X 16,5X 65	4	
39	00 0770 488 0	SAFETY BAR	2 X 46,5X2100	1	
39	00 0770 489 0	SAFETY BAR	2X46,5X1800	1	
39	00 0770 490 0	SAFETY BAR	2 X 46,5X2400	1	
39	00 0610 059 0	SAFETY BAR	2X46,5X3020	1	
40	00 0176 044 0	CROP LIFTER		1	18)
40	00 0176 078 0	LOCKING CLIP		1	
41	00 0176 045 0	CROP LIFTER		1	18)
42	00 0610 294 3	CROP LIFTER		1	18)
43	00 0610 272 3	CROP LIFTER		1	

1) Remarks	With 3.6 m - 5.1 m Cutterbar
2) Remarks	at 3.6 m cutterbar
3) Remarks	at 3.9 m cutterbar
4) Remarks	at 4.2 m cutterbar
5) Remarks	at 4.5 m cutterbar
6) Remarks	at 5.1 m cutterbar
7) Remarks	500 long
8) Remarks	(25, 27, 29, 33)
9) Remarks	(29, 31, 33, 37)
10) Remarks	(51, 55, 59, 67)
11) Remarks	(22, 24, 26, 30)
12) Remarks	reinforced
13) Remarks	(11, 12, 13, 15)
14) Remarks	(76, 84, 92, 100)
15) Remarks	(13, 15, 15, 17)
16) Remarks	from cutterbar 281432
17) Remarks	to cutterbar 281432
18) Remarks	optional

Thank you so much for reading.
Please click the “Buy Now!”
button below to download the
complete manual.



After you pay.

You can download the most
perfect and complete manual in
the world immediately.

Our support email:

ebooklibonline@outlook.com