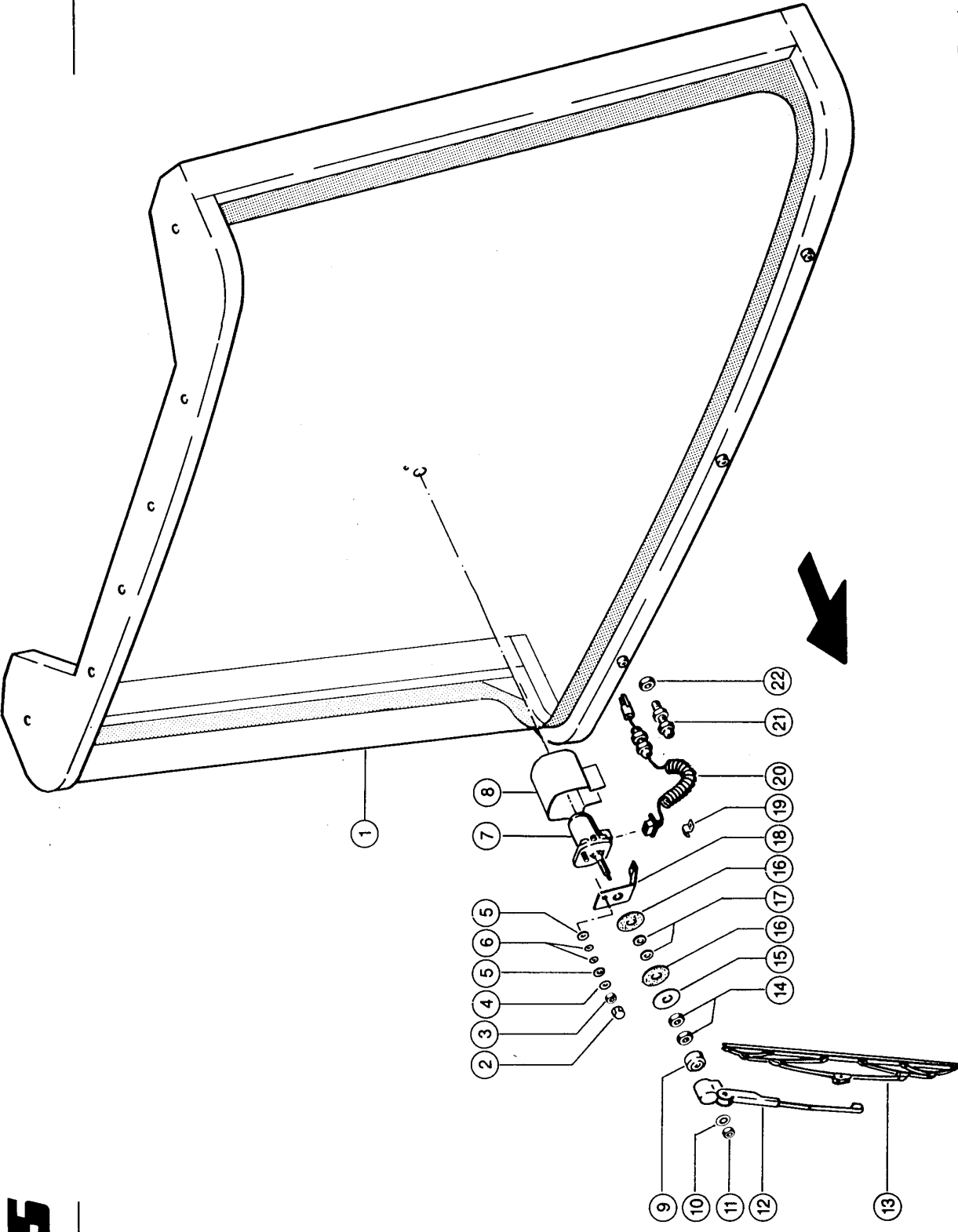


1



Dominator 98 VX

**CLAAS**

**CAB, FRONT**

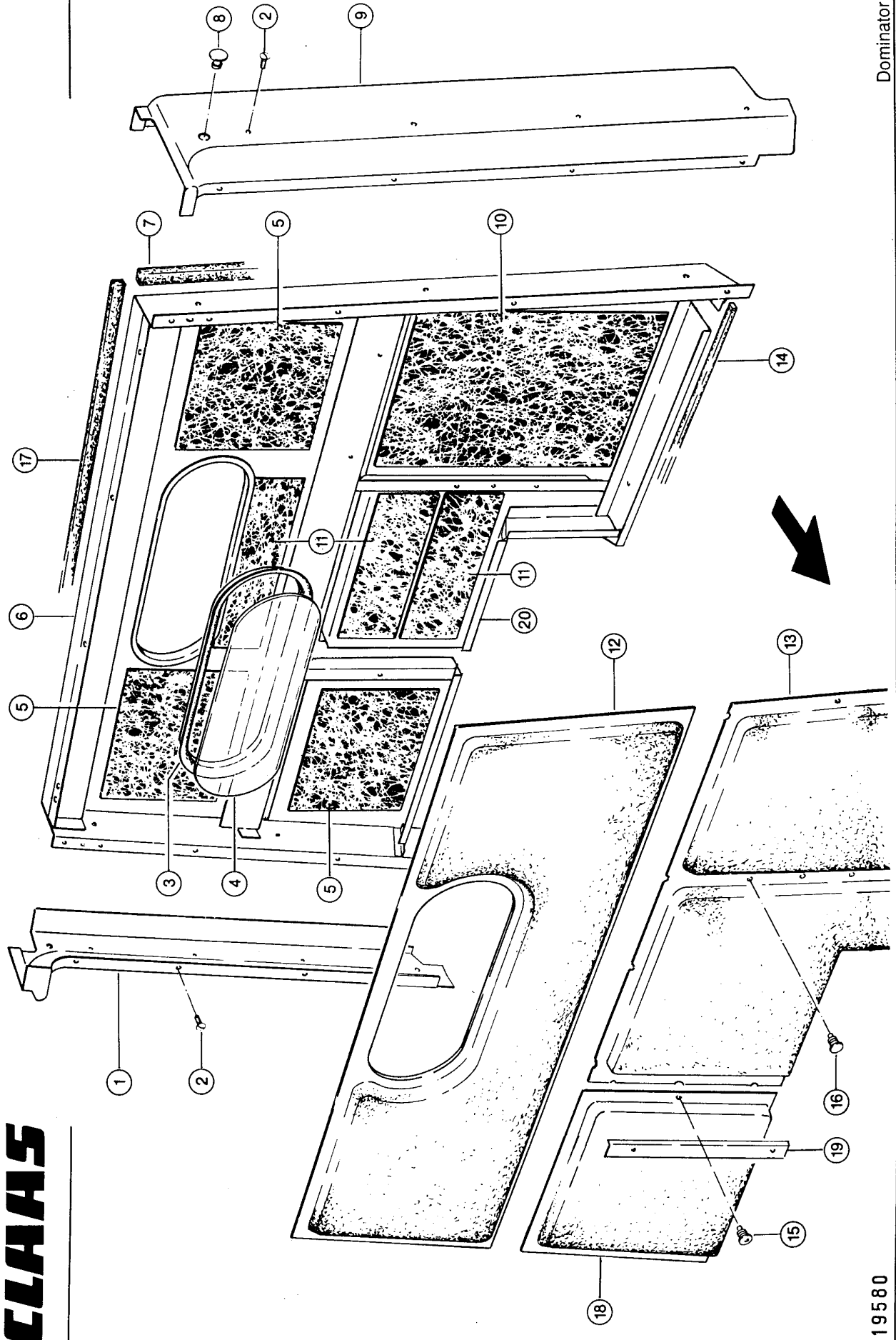
Pos.	Part No.	Description	Dimension	Quantity	Conditions
1	<b>00 0625 505 0</b>	FRONT FRAME	KPL.M.SCHEIBE	1	
2	<b>00 0215 431 0</b>	GUARD CAP	SW 8-M 5	1	
3	<b>00 0237 216 0</b>	HEXAGONAL NUT	M05	1	
4	<b>00 0236 910 2</b>	FLAT WASHER	5 -5,3X10X1	1	
5	<b>00 0622 642 0</b>	RUBBER DISC		2	
6	<b>00 0622 673 0</b>	RUBBER DISC		2	
7	<b>00 0625 826 0</b>	WIPER MOTOR		1	
8	<b>00 0625 824 0</b>	CAP	F.WISCHERMOTOR	1	
9	<b>00 0622 641 0</b>	CAP		1	
10	<b>00 0215 034 0</b>	SERRATED L.WASHER	A 6,4	1	
11	<b>00 0236 169 0</b>	HEXAGONAL NUT	M6	1	
12	<b>00 0622 636 0</b>	WIPER ARM		1	
13	<b>00 0622 637 1</b>	WIPER BLADE		1	
14	<b>00 0622 640 0</b>	HEXAGONAL NUT	M14X1	2	
15	<b>00 0622 639 0</b>	WASHER	14,5X50X2	1	
16	<b>00 0622 638 0</b>	RUBBER DISC		2	
17	<b>00 0622 644 0</b>	RUBBER DISC		2	
18	<b>00 0010 136 0</b>	ANGLE	1,5X40X144,5	1	
19	<b>00 0236 400 0</b>	ATTACHING CLAMP	1X 8-5,2	1	
20	<b>00 0010 135 0</b>	WIRING LOOM	SCHEIBENWISCHER	1	
21	<b>00 0417 261 0</b>	CABLE SCREW	PG 11 POZB	1	
22	<b>00 0412 459 0</b>	COUNTER NUT	PG 11	1	
22	<b>00 0241 690 1</b>	SEALING COMPOUND	300ML KARTUSCHE BOSTIK 2	1	1)

**1) Remarks**

ZUR ABDICHTUNG

2

Dominator 98 VX



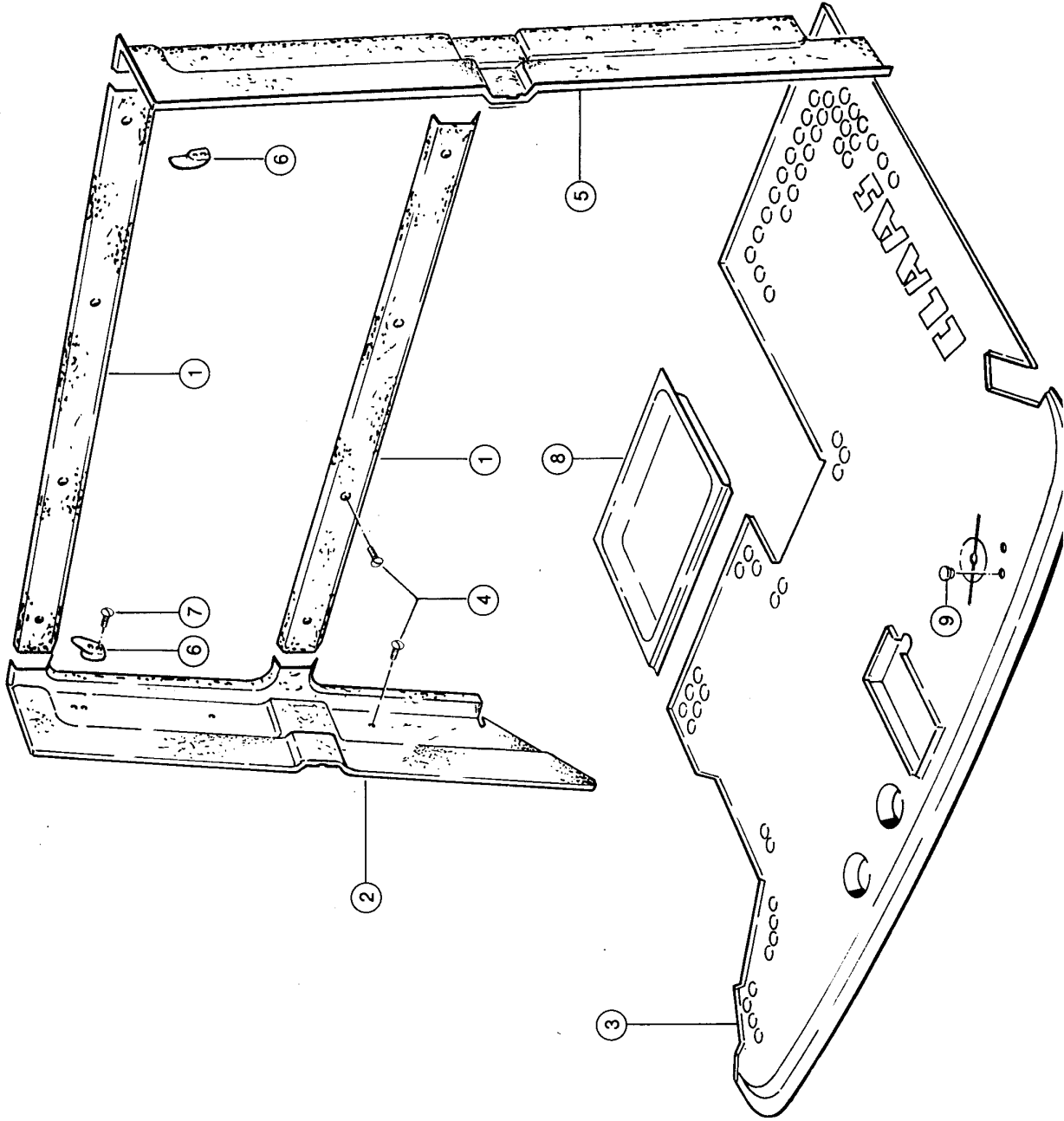
**CLHHS**

**CAB, BACK PANEL**

Pos.	Part No.	Description	Dimension	Quantity	Conditions
1	<b>00 0625 901 1</b>	COLUMN R.H.		1	
2	<b>00 0215 720 0</b>	FILL.HEAD SCREW	ST4,2X13-C-KFR-Z	16	
3	<b>00 0200 985 2</b>	SECTION		1	1)
4	<b>00 0622 756 0</b>	REAR PANEL GLASS	6X570X190	1	
5	<b>00 0622 745 0</b>	INSULATION	2X330X400	3	
6	<b>00 0546 050 0</b>	REAR PANEL	GESCHW.	1	
7	<b>00 0205 350 0</b>	SEALING PROFILE	19X30X2000	1	2)
8	<b>00 0625 757 0</b>	PLUG	D16,5	2	
9	<b>00 0625 900 0</b>	COLUMN L.H.		1	
10	<b>00 0625 613 0</b>	SOUND PROOFING M.	2X 330X 700	1	
11	<b>00 0622 744 0</b>	INSULATION	2X200X530	3	
12	<b>00 0625 940 0</b>	REAR PANEL COVER	50X534,2X1401,5	1	
12	<b>00 0136 545 0</b>	GLUE	TIVOGUM 8400/31	1	
13	<b>00 0546 066 0</b>	COVER		1	
13	<b>00 0136 545 0</b>	GLUE	TIVOGUM 8400/31	1	
14	<b>00 0201 480 0</b>	WOOD PULP STRIP	12X4 SELBSTKLEB	1	3)
15	<b>00 0215 587 0</b>	PLASTIC PLUG	D 8 22,75LG	2	
16	<b>00 0215 614 0</b>	PVC-PLUG	D 6 18LG	5	
17	<b>00 0625 788 0</b>	MOLDING	30X20X1400	1	
18	<b>00 0546 058 0</b>	COVER		1	
19	<b>00 0546 059 0</b>	COVER PLATE	493X40X1	1	
19	<b>00 0215 720 0</b>	FILL.HEAD SCREW	ST4,2X13-C-KFR-Z	2	
20	<b>00 0546 060 0</b>	REAR PANEL	GESCHW.	1	
<b>1)</b>	<b>Remarks</b>			1400 long	
<b>2)</b>	<b>Remarks</b>			4500 long	
<b>3)</b>	<b>Remarks</b>			3500 long	

3

Dominator 98 VX



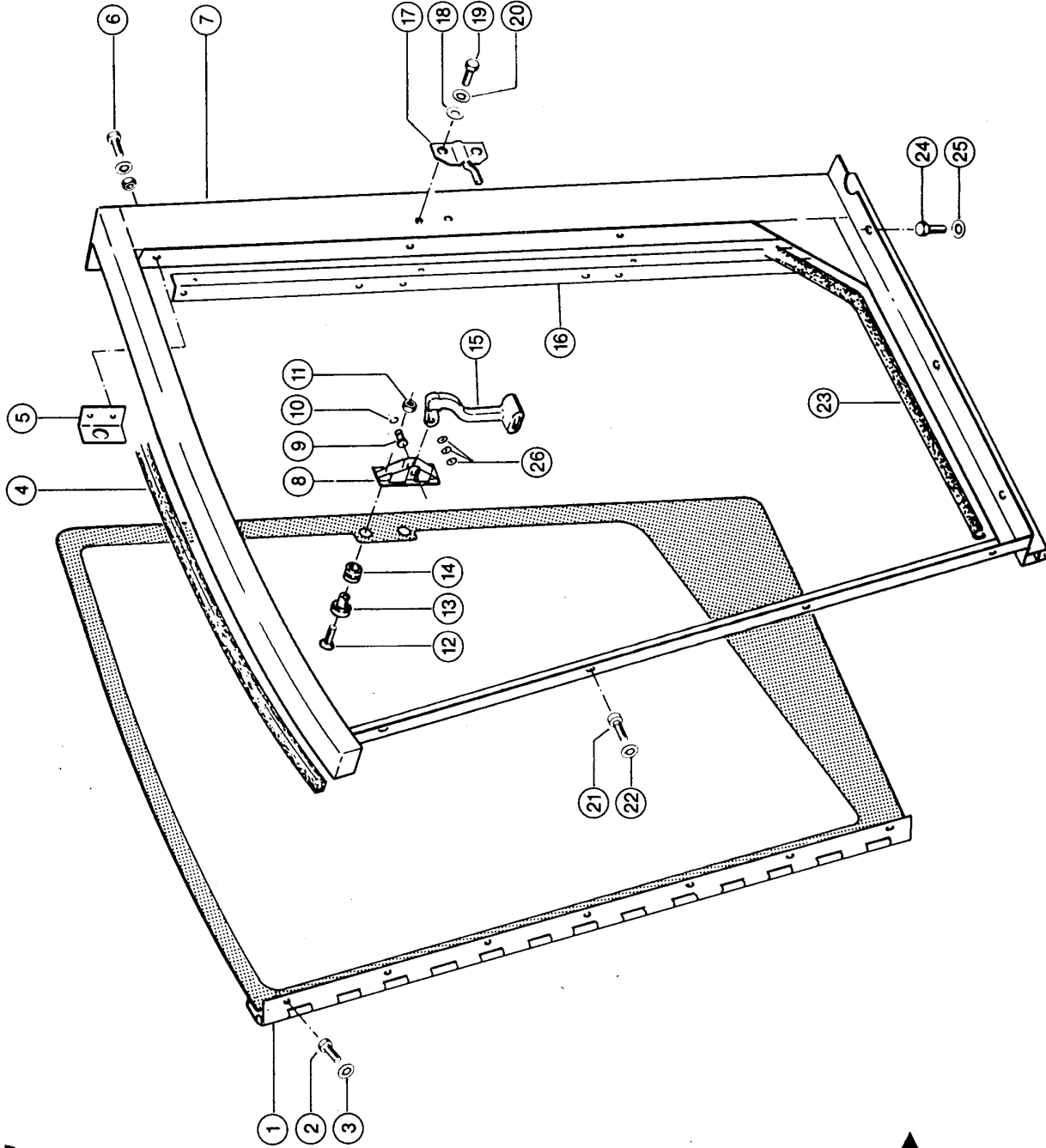
**CLAS**

**CAB, LINING**

<b>Pos.</b>	<b>Part No.</b>	<b>Description</b>	<b>Dimension</b>	<b>Quantity</b>	<b>Conditions</b>
1	<b>00 0625 570 0</b>	CROSS PROFILE		1	
2	<b>00 0625 952 1</b>	COVER		1	
2	<b>00 0546 259 0</b>	RUBBER STUD		2	
3	<b>00 0625 587 3</b>	FLOOR MAT	23X1133X1455	1	
4	<b>00 0215 720 0</b>	FILL.HEAD SCREW	ST4,2X13-C-KFR-Z	14	
5	<b>00 0625 568 3</b>	COVER		1	
5	<b>00 0546 259 0</b>	RUBBER STUD		2	
6	<b>00 0215 813 0</b>	COAT HOOK	42X17	2	
7	<b>00 0242 713 1</b>	FILL.HEAD SCREW	ST3,9X16-C-H	4	
8	<b>00 0625 955 0</b>	FLOOR PAN	30X266X335	1	
9	<b>00 0238 271 0</b>	PLUG	D22,4-F	2	

4

Dominator 98 VX



**CLAAS**

119582

**CABSIDE, RIGHT HAND WITH DOOR**

Pos.	Part No.	Description	Dimension	Quantity	Conditions
1	<b>00 0625 687 2</b>	DOOR R.H.		1	
2	<b>00 0237 465 0</b>	HEXAGON HEAD BOLT	M6X16	7	
3	<b>00 0239 392 0</b>	CONTACT WASHER	B 6 -6X18X1,4	7	
4	<b>00 0205 593 0</b>	PROFILE	20X30X1100	1	
5	<b>00 0625 677 0</b>	ANGLE	40X40X4X90	1	
6	<b>00 0236 200 0</b>	HEXAGON HEAD BOLT	M8X20	5	
6	<b>00 0236 170 0</b>	HEXAGONAL NUT	M8	5	
6	<b>00 0239 393 1</b>	CONTACT WASHER	B 8 -8.2X22X1,9	5	
7	<b>00 0625 653 0</b>	SIDE WALL R.H.		1	
8	<b>00 0625 817 0</b>	SUPPORT		1	
9	<b>00 0625 819 0</b>	PIN	8X23X20,5	1	
10	<b>00 0235 752 0</b>	LOCK WASHER	6	1	
11	<b>00 0236 170 0</b>	HEXAGONAL NUT	M8	2	
12	<b>00 0237 069 0</b>	COUNTERSUNK BOLT	M 8X 30	2	
13	<b>00 0625 821 0</b>	SPACER GLASS	8,5X30X17	2	
14	<b>00 0625 820 0</b>	GROMMET	A 14X19X5,5	2	
15	<b>00 0625 818 0</b>	HANDLE		1	
16	<b>00 0625 902 0</b>	ANGLE	1,5X53X1334	1	
17	<b>00 0625 843 3</b>	LOCKING PLATE		1	
18	<b>00 0236 913 2</b>	FLAT WASHER	10-10,5X20X2	2	
19	<b>00 0236 987 0</b>	SOCKET HEAD SCREW	M 8X 20	2	
20	<b>00 0239 393 1</b>	CONTACT WASHER	B 8 -8.2X22X1,9	2	
21	<b>00 0242 227 1</b>	SOCKET HEAD SCREW	M8X16	4	
21	<b>00 0237 439 0</b>	HEXAGON HEAD BOLT	M8X16	1	
22	<b>00 0239 393 1</b>	CONTACT WASHER	B 8 -8.2X22X1,9	5	
23	<b>00 0205 554 0</b>	SEAL STRIP		1	1)
24	<b>00 0236 200 0</b>	HEXAGON HEAD BOLT	M8X20	3	
25	<b>00 0239 393 1</b>	CONTACT WASHER	B 8 -8.2X22X1,9	3	
26	<b>00 0236 357 0</b>	SHIM	8,5X14X0,25	3	

**1) Remarks**

4700 long



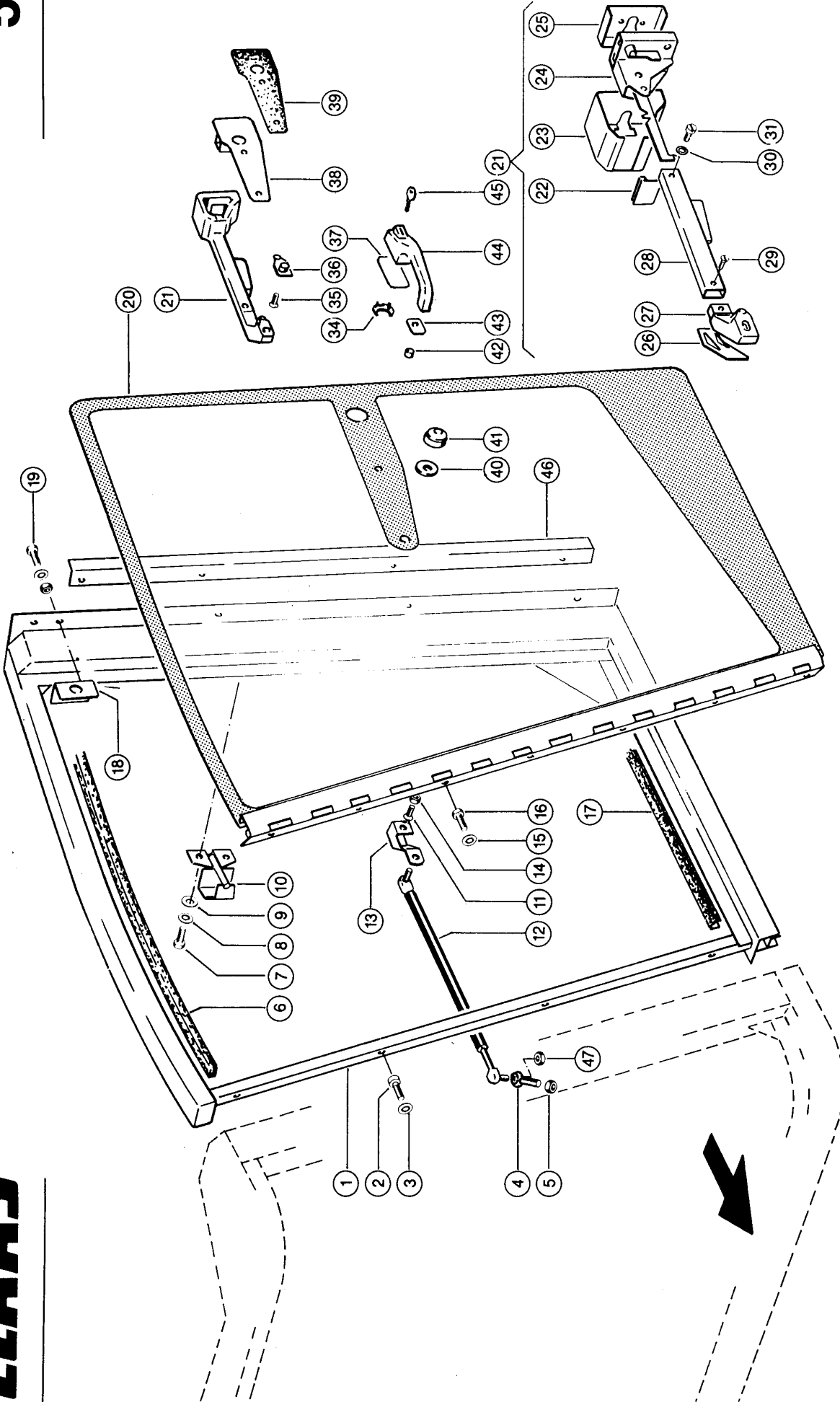
5

CLHHS

DOMINATOR 98 VX

Dominator 98 VX

119583



**CAB, SIDE PANEL, L.H. - DOOR**

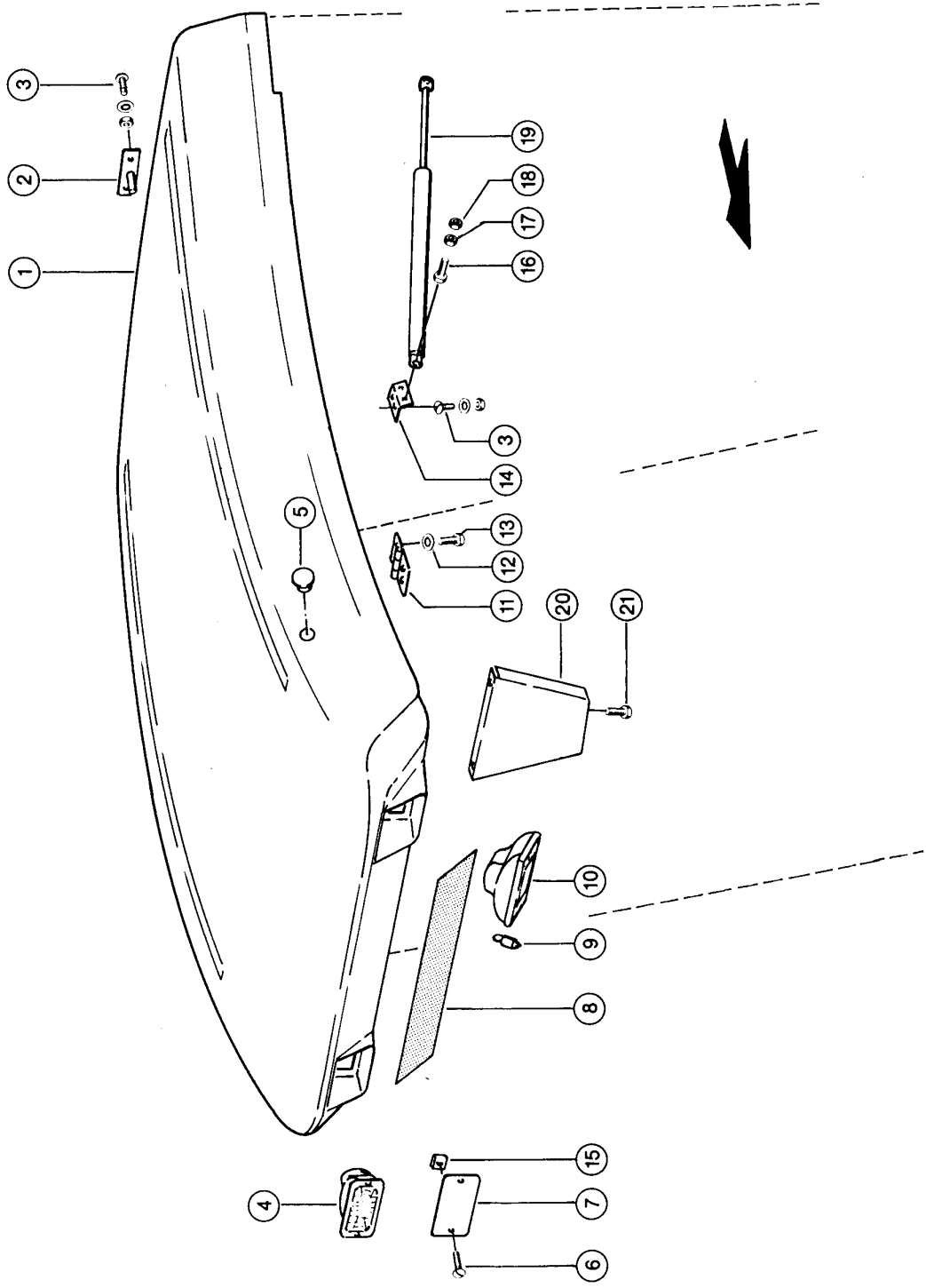
Pos.	Part No.	Description	Dimension	Quantity	Conditions
1	<b>00 0625 652 0</b>	SIDE WALL L.H.	S	1	
2	<b>00 0242 227 1</b>	SOCKET HEAD SCREW	M8X16	4	
2	<b>00 0237 439 0</b>	HEXAGON HEAD BOLT	M8X16	1	
3	<b>00 0239 393 1</b>	CONTACT WASHER	B 8 -8.2X22X1,9	5	
4	<b>00 0216 026 0</b>	EYE BOLT	BM 8X50X30 ERS.D.21602	1	
5	<b>00 0236 170 0</b>	HEXAGONAL NUT	M8	1	
6	<b>00 0205 593 0</b>	PROFILE	20X30X1100	1	
7	<b>00 0236 987 0</b>	SOCKET HEAD SCREW	M 8X 20	2	
8	<b>00 0239 393 1</b>	CONTACT WASHER	B 8 -8.2X22X1,9	2	
9	<b>00 0236 913 2</b>	FLAT WASHER	10-10,5X20X2	4	
10	<b>00 0625 578 1</b>	LOCKING PLATE		1	
11	<b>00 0241 254 0</b>	COUNTERSUNK BOLT	M 6X45	1	
12	<b>00 0625 835 0</b>	GAS SPRING		1	
13	<b>00 0625 832 1</b>	SUPPORT		1	
14	<b>00 0236 169 0</b>	HEXAGONAL NUT	M6	1	
15	<b>00 0239 392 0</b>	CONTACT WASHER	B 6 -6X18X1,4	7	
16	<b>00 0237 465 0</b>	HEXAGON HEAD BOLT	M6X16	7	
17	<b>00 0205 554 0</b>	SEAL STRIP		1	1)
18	<b>00 0625 677 0</b>	ANGLE	40X40X4X90	1	
19	<b>00 0236 200 0</b>	HEXAGON HEAD BOLT	M8X20	5	
19	<b>00 0236 170 0</b>	HEXAGONAL NUT	M8	5	
19	<b>00 0239 393 1</b>	CONTACT WASHER	B 8 -8.2X22X1,9	5	
20	<b>00 0625 575 2</b>	DOOR L.H.		1	
21	<b>00 0625 730 0</b>	DOOR HANDLE		1	
22	<b>00 0625 735 0</b>	INSIDE COVER		1	
23	<b>00 0625 736 0</b>	CAP		1	
24	<b>00 0625 731 0</b>	LOCK		1	
25	<b>00 0625 732 0</b>	ADJUSTING PLATE		1	
26	<b>00 0625 740 0</b>	COVERING		1	
27	<b>00 0625 734 0</b>	END PIECE		1	
28	<b>00 0625 733 0</b>	DOOR HANDLE		1	
29	<b>00 0241 236 0</b>	COUNTERSUNK BOLT	M 5X10	1	
30	<b>00 0215 031 0</b>	SERRATED L.WASHER	A 5,3	1	
31	<b>00 0242 043 0</b>	SOCKET HEAD SCREW	M 5X10	1	
34	<b>00 0625 726 0</b>	DISTANCE PLATE		1	
35	<b>00 0216 058 0</b>	COUNTERSUNK BOLT	M 6X 25	3	
35	<b>00 0216 057 0</b>	COUNTERSUNK BOLT	M 6X 20	2	
35	<b>00 0236 911 2</b>	FLAT WASHER	6 -6,4X12X1,6	1	
36	<b>00 0625 751 0</b>	INSERT		1	
37	<b>00 0625 723 0</b>	SHIM LARGE		1	
38	<b>00 0625 727 0</b>	MOUNTING PLATE		1	
39	<b>00 0625 750 0</b>	SHIM		1	
40	<b>00 0625 753 0</b>	RUBBER DISC		1	
41	<b>00 0625 752 0</b>	CAP		1	
42	<b>00 0625 725 0</b>	SPACER TUBE		1	
43	<b>00 0625 724 0</b>	SHIM		1	
44	<b>00 0625 721 0</b>	HANDLE, EXTERIOR		1	
45	<b>00 0625 722 0</b>	DOOR KEY	EINHEITSSCHL.	1	
46	<b>00 0625 902 0</b>	ANGLE	1,5X53X1334	1	
47	<b>00 0237 928 0</b>	HEXAGONAL NUT	M 8	1	
47	<b>00 0238 132 0</b>	LOCK NUT	M8	1	

**1) Remarks**

4700 long

# 6

Dominator 98 VX



# CLAAS

119584

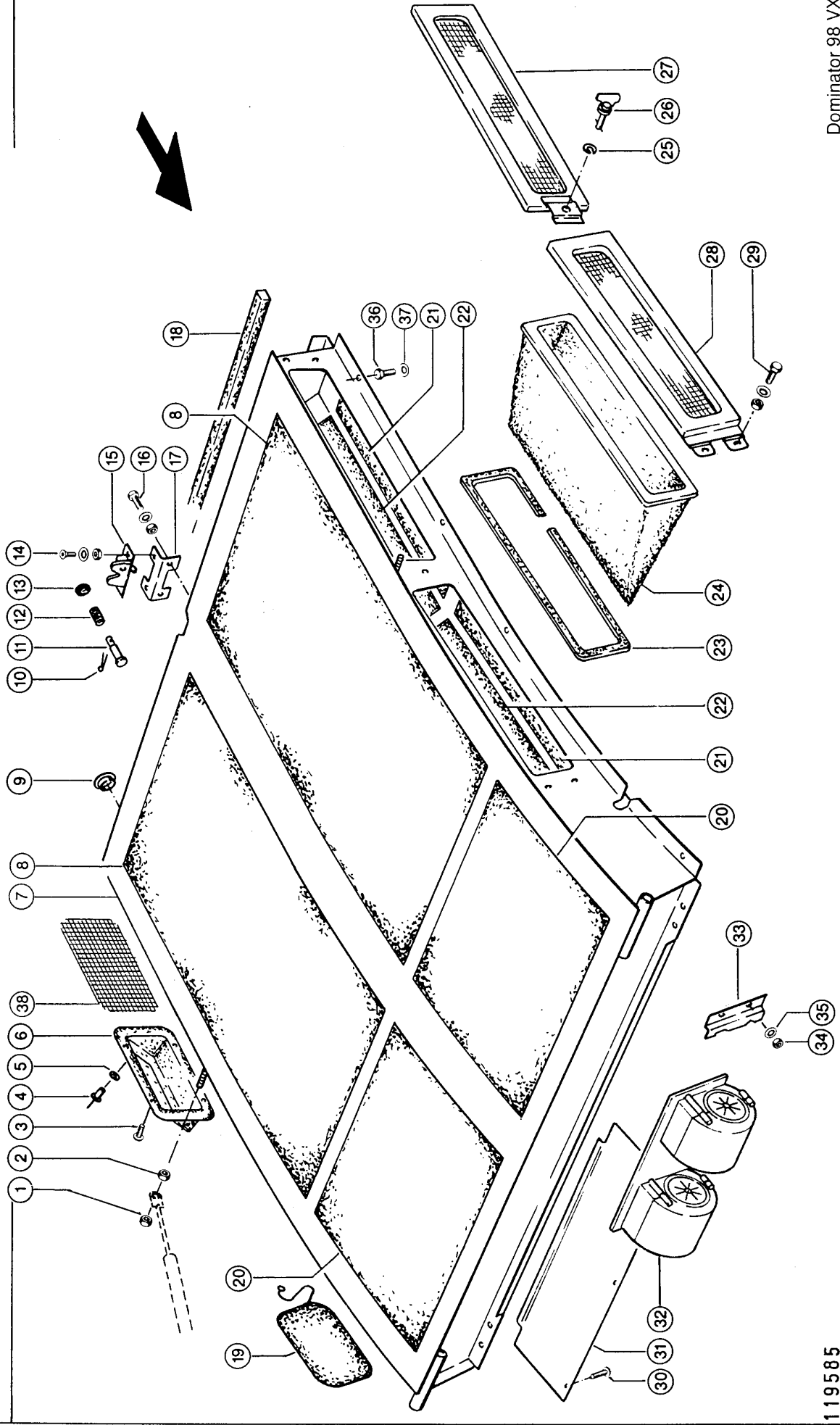
**CAB, ROOF**

Pos.	Part No.	Description	Dimension	Quantity	Conditions
1	<b>00 0625 544 5</b>	ROOF HOOD		1	
2	<b>00 0625 541 1</b>	HOOD HOLDER		1	
3	<b>00 0636 792 1</b>	COACH BOLT	M6X 16	10	
3	<b>00 0236 169 0</b>	HEXAGONAL NUT	M6	10	
3	<b>00 0239 392 0</b>	CONTACT WASHER	B 6 -6X18X1,4	10	
4	<b>00 0625 914 0</b>	WORK LIGHT		2	1)
4	<b>00 0238 091 0</b>	LAMP		2	2)
5	<b>00 0215 502 0</b>	COVER CAP	27,0-33,0	2	
6	<b>00 0215 720 0</b>	FILL.HEAD SCREW	ST4,2X13-C-KFR-Z	4	
7	<b>00 0625 647 0</b>	COVER	1,5X90X174	2	
8	<b>00 0514 757 0</b>	STICKER	F.KABINENDACH	1	3)
9	<b>00 0238 091 0</b>	LAMP		4	
10	<b>00 0625 719 0</b>	HEADLIGHTS		4	
11	<b>00 0625 642 0</b>	HINGE		2	
12	<b>00 0239 392 0</b>	CONTACT WASHER	B 6 -6X18X1,4	4	
13	<b>00 0237 466 0</b>	HEXAGON HEAD BOLT	M06X20	4	
14	<b>00 0622 781 0</b>	GAS SPRING BEAR.		2	
15	<b>00 0215 738 0</b>	NUT	ST4,2 - 3,0-4,5	12	
16	<b>00 0244 378 0</b>	HEXAGON HEAD BOLT	M 8X25	2	
17	<b>00 0236 170 0</b>	HEXAGONAL NUT	M8	2	
18	<b>00 0238 132 0</b>	LOCK NUT	M8	2	
19	<b>00 0618 885 0</b>	GAS SPRING		2	
20	<b>00 0625 643 0</b>	GUSSET PLATE L.H.		1	
20	<b>00 0625 644 0</b>	GUSSET PLATE R.H.		1	
21	<b>00 0237 466 0</b>	HEXAGON HEAD BOLT	M06X20	4	

<b>1)</b>	<b>Remarks</b>	optional
<b>2)</b>	<b>Remarks</b>	SONDERWUNSCH
<b>3)</b>	<b>Remarks</b>	decal - Claas

7

**CLAS**



Dominator 98 VX

119585

**CAB, ROOF**

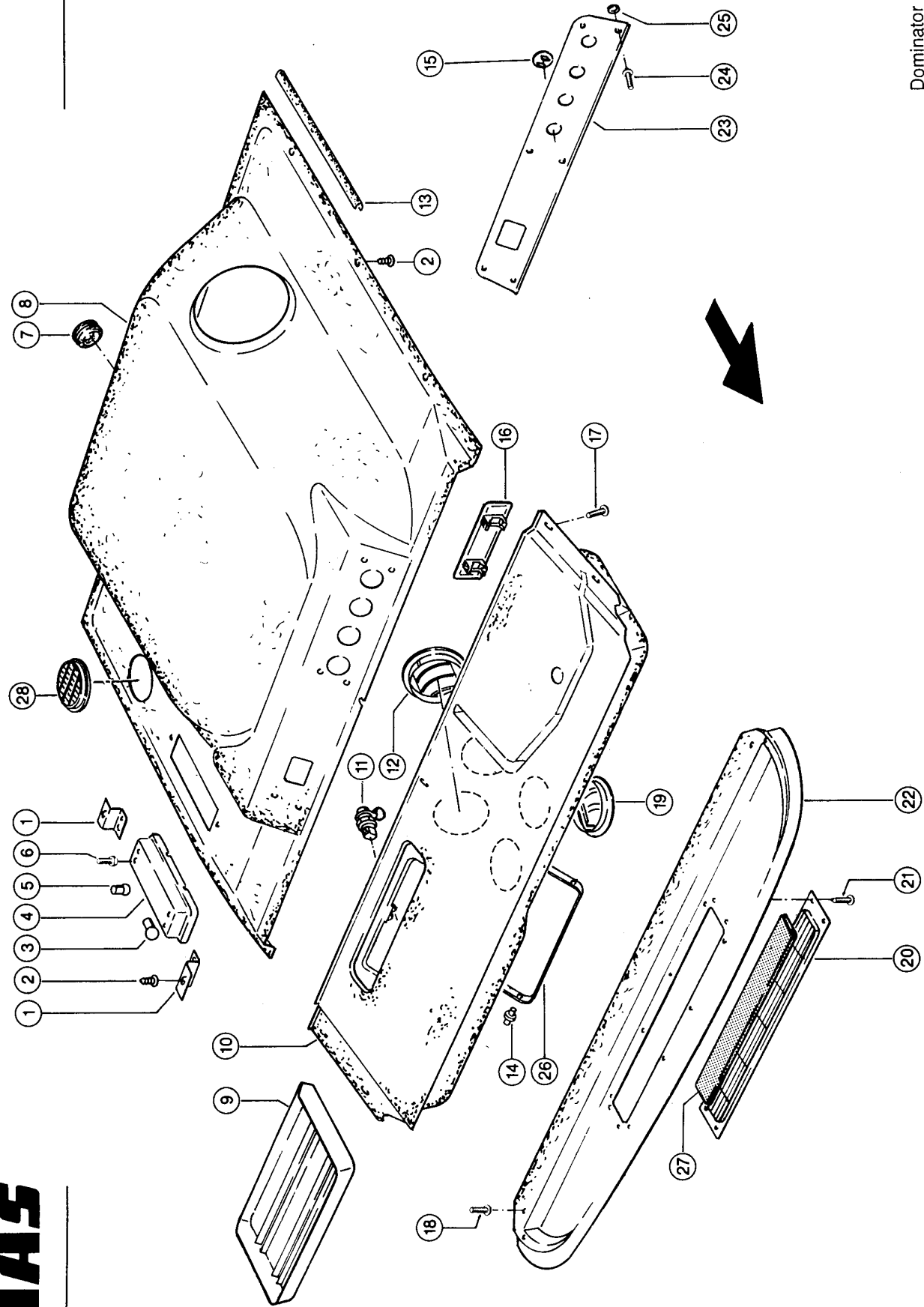
Pos.	Part No.	Description	Dimension	Quantity	Conditions
1	<b>00 0236 170 0</b>	HEXAGONAL NUT	M8	2	
2	<b>00 0238 132 0</b>	LOCK NUT	M8	2	
3	<b>00 0242 499 1</b>	SHEET METAL SCREW	ST4,8X 9,5-C ERS.D.24249	4	
4	<b>00 0238 018 1</b>	BLIND RIVET	A 4X9	3	
5	<b>00 0236 979 1</b>	FLAT WASHER	4 -4,3X9X0,8	3	
6	<b>00 0625 549 0</b>	VENTILATION		1	
7	<b>00 0625 531 4</b>	ROOF		1	
8	<b>00 0622 747 0</b>	INSULATION	2X530X1000	2	
9	<b>00 0238 886 2</b>	PLUG	D30,5-F	6	
9	<b>00 0238 271 0</b>	PLUG	D22,4-F	3	
9	<b>00 0238 457 0</b>	PLUG	D38,4-F	3	
10	<b>00 0235 088 0</b>	SPLIT PIN	4 X 18	1	
11	<b>00 0625 698 1</b>	PRESSURE PIN	D18X 50	1	
12	<b>00 0503 693 0</b>	COMPRESS.SPRING	1,5X14X33	1	
13	<b>00 0623 341 0</b>	CABLE RING	B10X14X2	1	
14	<b>00 0237 061 0</b>	COUNTERSUNK BOLT	M6X16	2	
14	<b>00 0236 169 0</b>	HEXAGONAL NUT	M6	2	
14	<b>00 0239 392 0</b>	CONTACT WASHER	B 6 -6X18X1,4	2	
15	<b>00 0609 636 1</b>	COVER LOCK	100X26	1	
16	<b>00 0237 465 0</b>	HEXAGON HEAD BOLT	M6X16	2	
16	<b>00 0236 169 0</b>	HEXAGONAL NUT	M6	2	
16	<b>00 0239 392 0</b>	CONTACT WASHER	B 6 -6X18X1,4	2	
17	<b>00 0625 540 1</b>	LOCK SUPPORT	2,5X75,8X105	1	
18	<b>00 0205 368 0</b>	SEALING FOAM	15X20X1985	1	1)
18	<b>00 0201 480 0</b>	WOOD PULP STRIP	12X4 SELBSTKLEB	1	2)
19	<b>00 0701 740 3</b>	INSPEC.HOLE DOOR		1	
20	<b>00 0622 746 0</b>	INSULATION	2X500X530	2	
21	<b>00 0622 743 0</b>	INSULATION	2X100X530	2	
22	<b>00 0622 744 0</b>	INSULATION	2X200X530	3	
23	<b>00 0201 354 0</b>	SEALING PROFILE	2,0-3,5	1	
24	<b>00 0071 525 1</b>	POCKET FILTER		2	
25	<b>00 0601 243 0</b>	SUPPORTING WASHER	10,8X25X0,6	1	
26	<b>00 0601 248 0</b>	LOCK TRUNNION		1	
27	<b>00 0625 533 1</b>	FILTER FRAME		1	
28	<b>00 0625 534 1</b>	FILTER FRAME		1	
29	<b>00 0237 464 0</b>	HEXAGON HEAD BOLT	M06X12	4	
29	<b>00 0236 169 0</b>	HEXAGONAL NUT	M6	4	
29	<b>00 0239 392 0</b>	CONTACT WASHER	B 6 -6X18X1,4	4	
30	<b>00 0215 720 0</b>	FILL.HEAD SCREW	ST4,2X13-C-KFR-Z	3	
31	<b>00 0625 681 0</b>	COVER	1X812X570	1	
32	<b>00 0625 718 0</b>	FAN		1	
33	<b>00 0625 639 0</b>	FAN SUPPORT		1	
34	<b>00 0236 169 0</b>	HEXAGONAL NUT	M6	2	
35	<b>00 0239 392 0</b>	CONTACT WASHER	B 6 -6X18X1,4	2	
36	<b>00 0236 200 0</b>	HEXAGON HEAD BOLT	M8X20	14	
37	<b>00 0239 393 1</b>	CONTACT WASHER	B 8 -8.2X22X1,9	14	
38	<b>00 0625 649 0</b>	GUARD SCREEN	230X135	1	3)

**1) Remarks** 3400 long

**2) Remarks** 600 LANG

**3) Remarks** from No. 09308350

8



Dominator 98 VX

**CLAAS**

119586

Thank you so much for reading.  
Please click the “Buy Now!”  
button below to download the  
complete manual.



After you pay.

You can download the most  
perfect and complete manual in  
the world immediately.

Our support email:

[ebooklibonline@outlook.com](mailto:ebooklibonline@outlook.com)