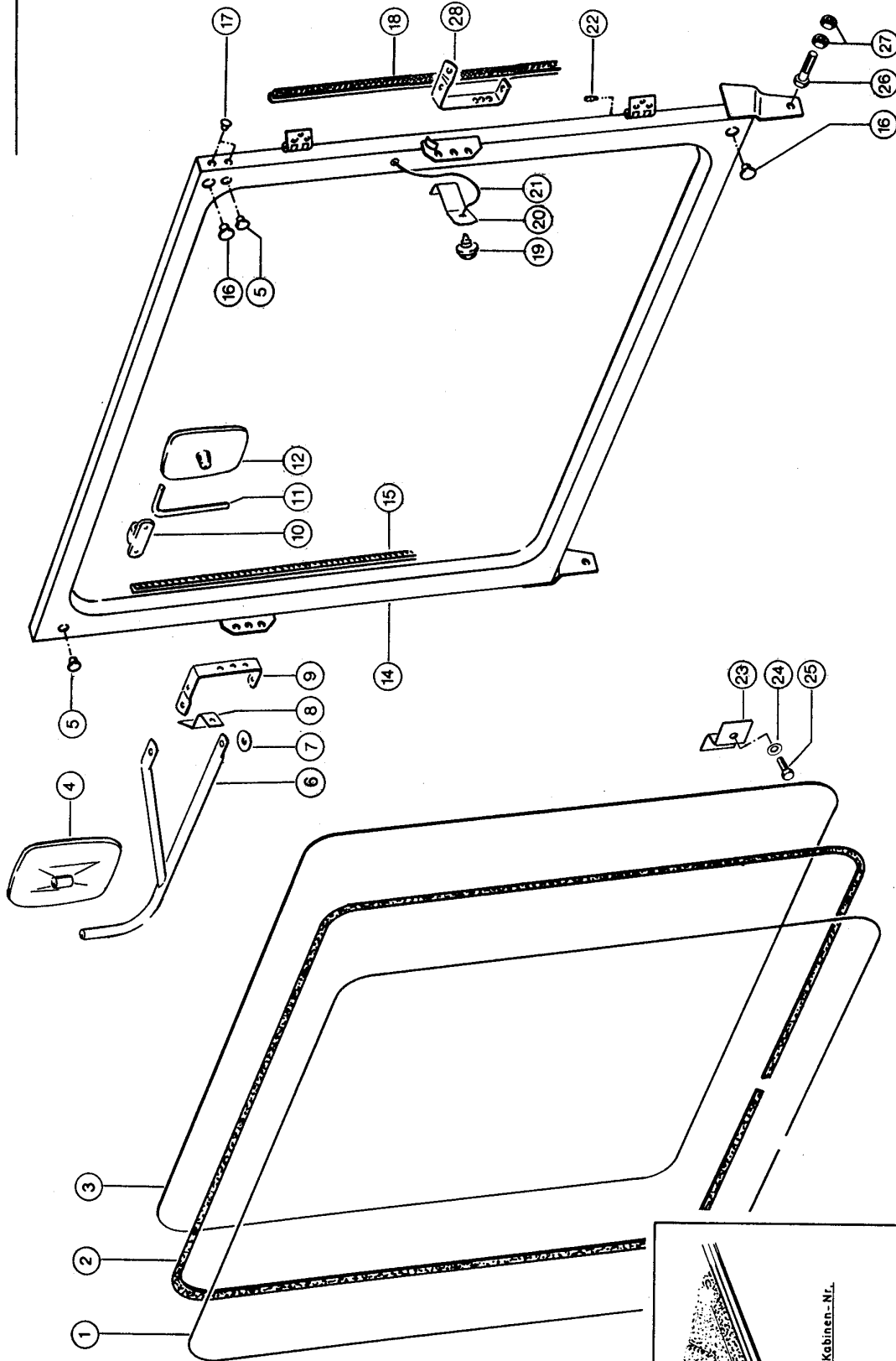


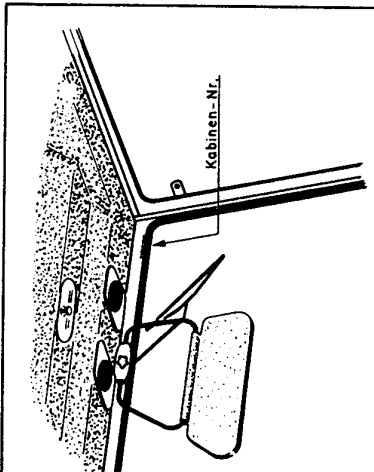
CLAAS

1



103439

Jaguar 685 / 690



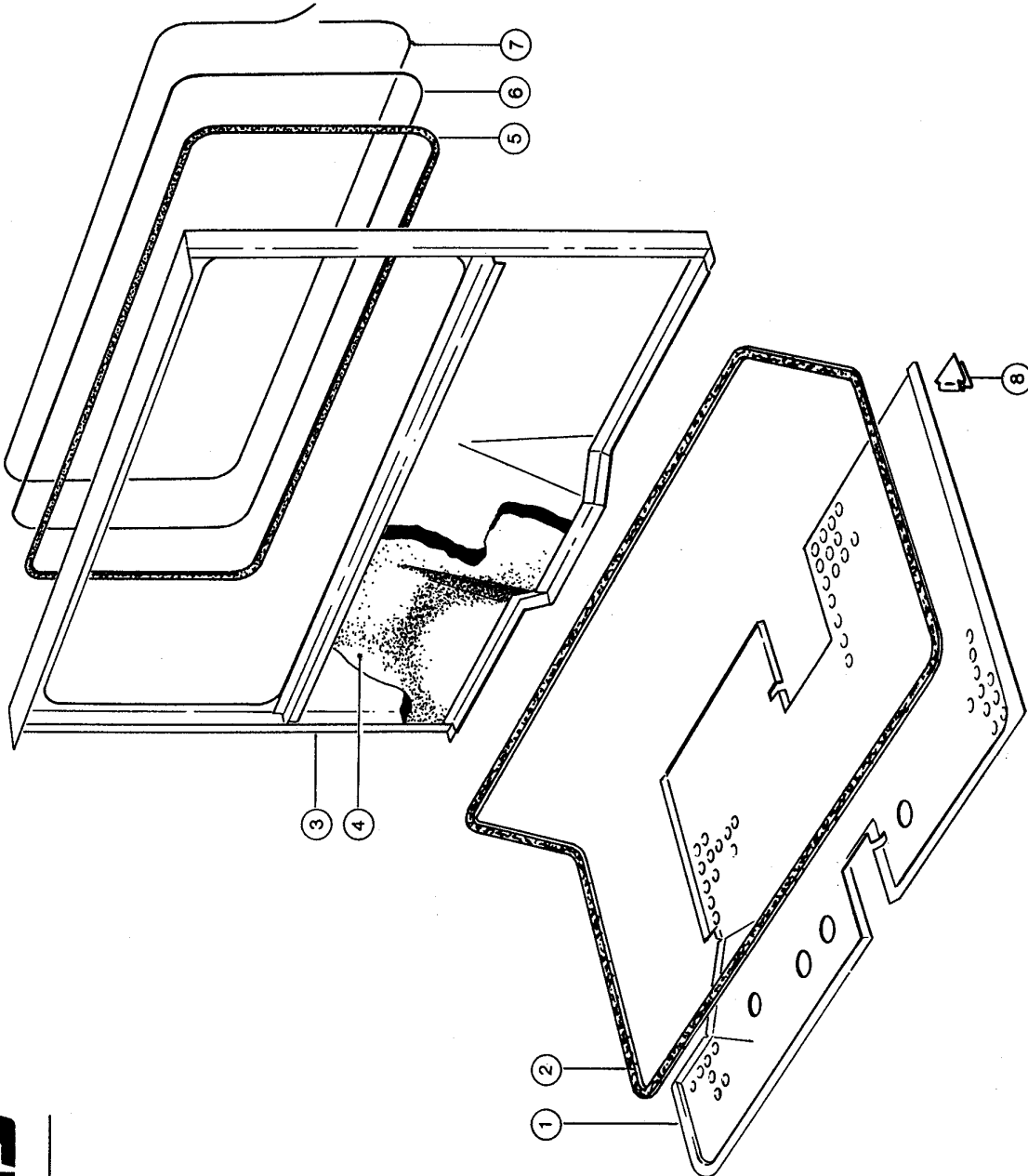
CAB, FRONT SIDE, VAR. 3906

Pos.	Part No.	Description	Dimension	Quantity	Conditions
1	00 0201 420 0	FILLING PROFILE	7,5 X 9,5	1	1)
2	00 0201 419 0	CLAMP PROFILE		1	1)
3	00 0606 336 0	FRONT WINDOW	6,6X 129X1303	1	
4	00 0682 146 0	MIRROR	GLAS-NR.1787380	2	
4	00 0178 738 0	GLASS, MIRROR		2	
5	00 0606 280 0	PLUG		2	
6	00 0071 491 0	MIRROR SUPPORT		2	
7	00 0682 290 0	WASHER	12,5X30X 2	4	
8	00 0724 919 1	CABIN CONNECTOR	30X5X117	2	
9	00 0071 852 0	BRACKET R.H.	30X8X410	1	2)
9	00 0071 490 0	BRACKET		1	3)
10	00 0658 211 0	MIRROR SUPPORT		1	4)
11	00 0071 691 0	TUBE	D12X1,5X250	1	4)
12	00 0658 210 0	REAR MIRROR		1	4)
12	00 0178 740 0	GLASS, MIRROR		1	5)
14	00 0606 335 0	FRONT FRAME	.	1	
15	00 0200 706 0	EDGE PROTECTOR	10X14,5X3,5	1	
16	00 0606 252 0	PLUG		2	
17	00 0606 279 0	PLUG		4	
18	00 0201 354 0	SEALING PROFILE	2,0-3,5	1	
19	00 0071 501 1	NOZZLE		1	
20	00 0062 811 1	SUPPORT	1,5X40X108	1	
21	00 0205 294 0	PVC-HOSE	4X1	1	6)
22	00 0236 942 0	GREASE NIPPLE	A S6X1	2	
23	00 0621 017 0	Z-PROFILE	50X3X80	4	
24	00 0239 393 1	CONTACT WASHER	B 8 -8.2X22X1,9	4	
25	00 0236 200 0	HEXAGON HEAD BOLT	M8X20	4	
26	00 0237 462 0	HEXAGON HEAD BOLT	M12X40	2	
27	00 0236 172 0	HEXAGONAL NUT	M12	4	
28	00 0071 851 0	BRACKET L.H.	30X8X410	1	2)
28	00 0071 490 0	BRACKET		1	3)

1)	Remarks	5000 long
2)	Remarks	from No. 18101174 from No. 18300011
3)	Remarks	BIS NR. 18101173
4)	Remarks	only for in country
5)	Remarks	NUR FUER INLAND
6)	Remarks	4500 long

2

Jaguar 685 / 690



CLAAS

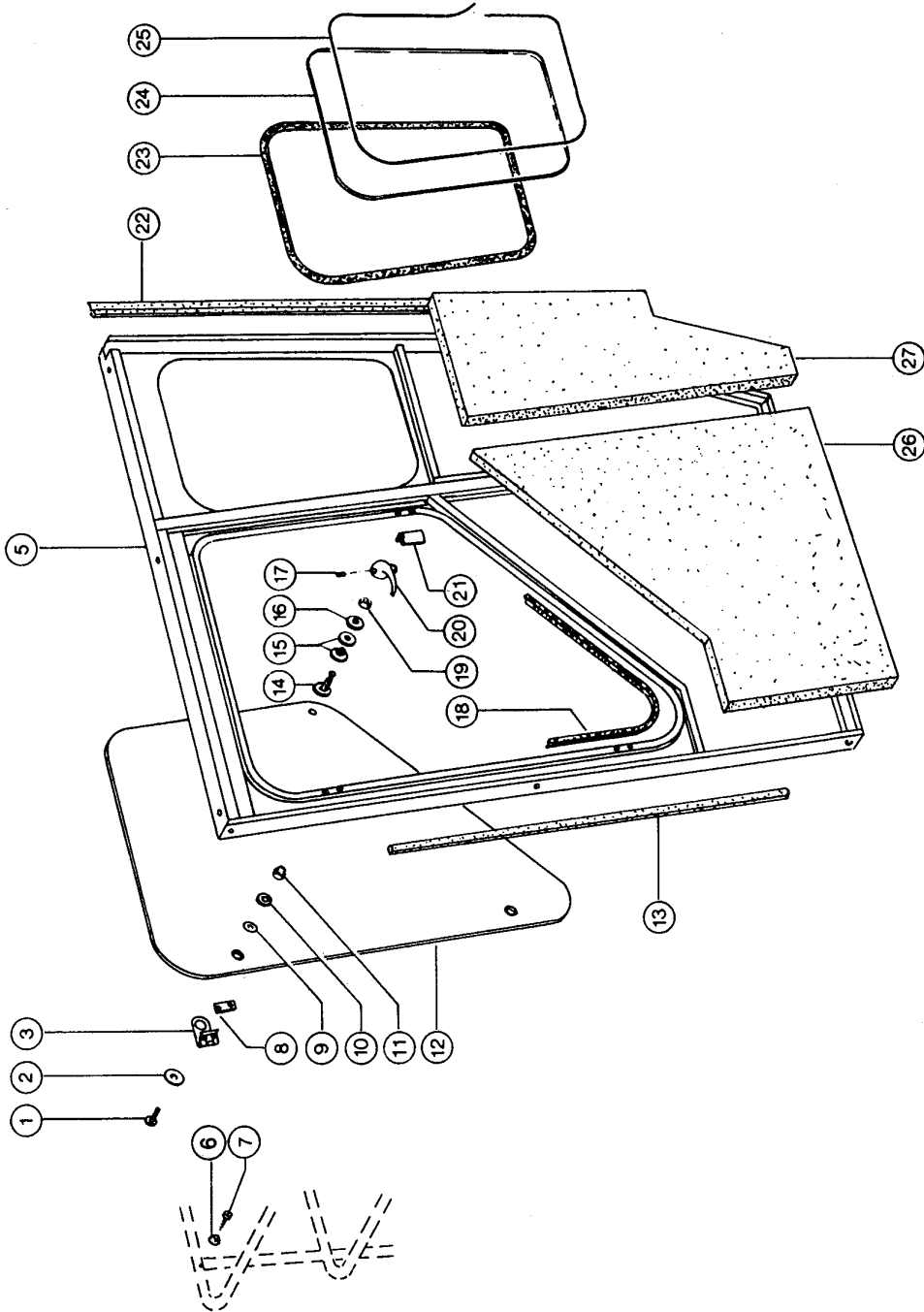
103440

CAB, BACK SIDE, VAR. 3906

Pos.	Part No.	Description	Dimension	Quantity	Conditions
1	00 0071 498 7	FLOOR MAT	1310X810	1	
2	00 0606 217 1	SEAL STRIP	1-4 MM; 17,2X33,4	1	
3	00 0071 479 0	REAR PANEL		1	
4	00 0071 489 2	INSULATION	28X 510X1405	1	
5	00 0201 419 0	CLAMP PROFILE		1	1)
6	00 0071 488 0	REAR PANEL GLASS	6 X 478X1283	1	
7	00 0201 420 0	FILLING PROFILE	7,5 X 9,5	1	1)
8	00 0606 251 0	CORNER METAL SEAL		3	
1)	Remarks			3400 long	

3

Jaguar 685 / 690



CLAAS

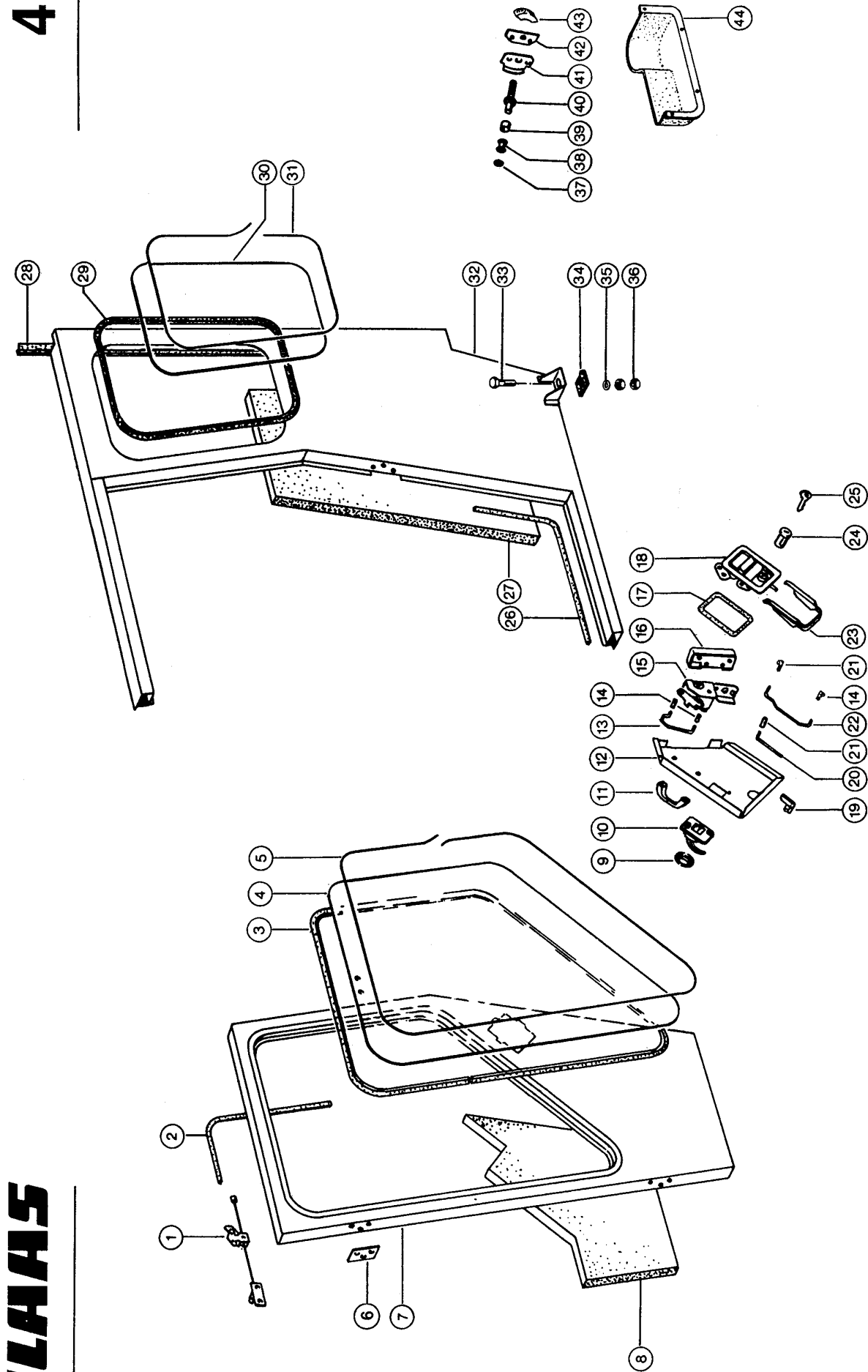
CAB, R.H. SIDE, VAR. 3906

Pos.	Part No.	Description	Dimension	Quantity	Conditions
1	00 0610 098 1	COACH BOLT	M8X20	2	
2	00 0606 351 0	RUBBER DISC	CD-4-300-01	2	
3	00 0606 381 0	HINGE		2	
5	00 0071 582 0	SIDE WALL R.H.	S	1	
6	00 0606 220 0	RUBBER PAD	D26/D22XH15-D4/D121		
7	00 0242 788 1	CYCL. PLATE SCREW	ST3,9X9,5-C	1	
8	00 0606 389 0	THREADED PLATE	.	2	
9	00 0606 352 0	RUBBER DISC	CD-4-300-02	2	
10	00 0606 353 0	DISC	W.ERS.D.2379530	2	
11	00 0238 088 0	CAP NUT	M 8	2	
12	00 0606 376 0	SIDE GLAS		1	
13	00 0200 675 0	TINE TAPE		1	
14	00 0606 357 1	PIN		1	
15	00 0606 358 0	RUBBER DISC	CD-4-301-04/1	2	
16	00 0606 359 0	WASHER		1	
17	00 0239 428 0	THREADED PIN	M 5X16	1	
18	00 0201 354 0	SEALING PROFILE	2,0-3,5	1	
19	00 0237 786 0	FLAT HEX NUT	M10	1	
20	00 0606 360 0	HANDLE	CD-4-301-06/1	1	
21	00 0606 380 0	CLAMPING PIECE		1	
22	00 0205 078 0	LIP PROFILE	33 X 7 (WITH SEALING LI		
23	00 0201 419 0	CLAMP PROFILE		1	1)
24	00 0071 529 0	SIDE GLAS	6 X 375X 530	1	
25	00 0201 420 0	FILLING PROFILE	7,5 X 9,5	1	1)
26	00 0071 505 0	INSULATION	28 DICK	1	
27	00 0071 504 0	INSULATION	28X 380X778	1	

1) Remarks

1800 long

4



Jaguar 685 / 690

CLAAS

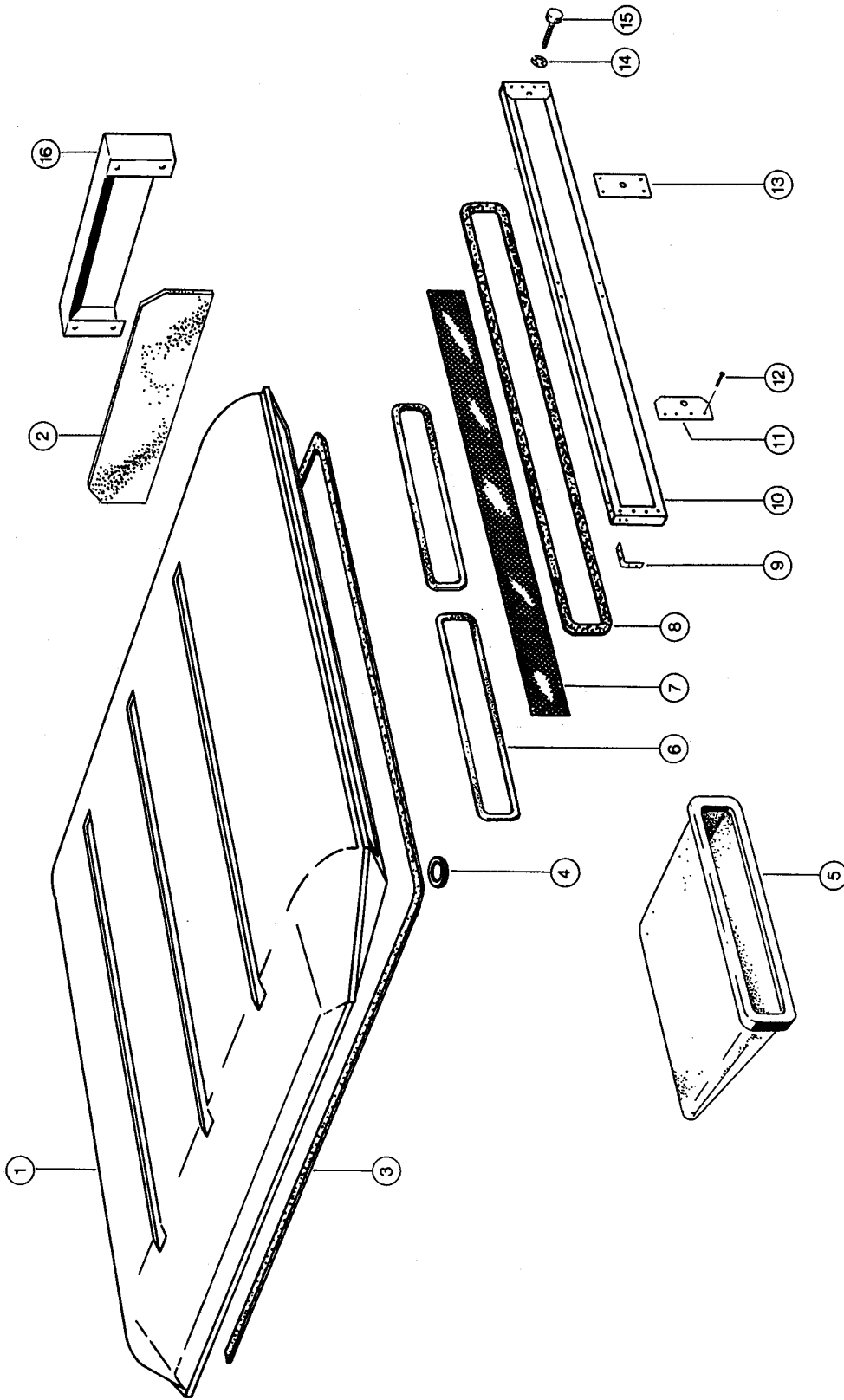
103442

CAB, L.H. SIDE, VAR. 3906

Pos.	Part No.	Description	Dimension	Quantity	Conditions
1	00 0606 313 0	CHECK STRAP DOOR		1	
2	00 0200 706 0	EDGE PROTECTOR	10X14,5X3,5	1	
3	00 0201 419 0	CLAMP PROFILE		1	1)
4	00 0606 391 0	DOOR GLASS		1	
5	00 0201 420 0	FILLING PROFILE	7,5 X 9,5	1	1)
6	00 0606 255 1	THREADED PLATE	.	2	
7	00 0606 399 0	DOOR		1	
8	00 0071 507 0	INSULATION	28 DICK	1	
9	00 0606 293 0	RUBBER DISC	CD-4-530-03	1	
10	00 0606 291 0	INNER HANDLE		1	
11	00 0606 290 0	HANDLE		1	
12	00 0606 436 1	LOCK BOX		1	
13	00 0606 438 0	OPERATING ROD		1	
14	00 0606 286 0	CLAMPING PIECE RH		3	
15	00 0606 285 0	LEVER		1	
16	00 0606 283 0	LOCK		1	
17	00 0606 288 0	GASKET		1	
18	00 0606 284 0	RECESS + KEY		1	
19	00 0606 452 0	BRACKET		1	
20	00 0606 451 0	OPERATING ROD		1	
21	00 0606 289 0	CLAMPING PIECE LH		2	
22	00 0606 440 0	OPERATING ROD		1	
23	00 0606 287 0	FRAME		1	
24	00 0621 993 0	LOCKING CYLINDER	W.ERS.D.6219931	1	
25	00 0606 222 0	DOOR KEY		3	
26	00 0201 354 0	SEALING PROFILE	2,0-3,5	1	
27	00 0071 499 0	INSULATION	28X520X750	1	
28	00 0205 078 0	LIP PROFILE	33 X 7 (WITH SEALING1 LI		
29	00 0201 419 0	CLAMP PROFILE		1	2)
30	00 0071 529 0	SIDE GLAS	6 X 375X 530	1	
31	00 0201 420 0	FILLING PROFILE	7,5 X 9,5	1	2)
32	00 0071 580 0	SIDE WALL L.H.	S	1	
33	00 0237 573 0	HEXAGON HEAD BOLT	M12X50	2	
34	00 0606 219 1	RUBBER PAD		2	
35	00 0239 395 1	CONTACT WASHER	B12	2	
36	00 0236 172 0	HEXAGONAL NUT	M12	4	
37	00 0606 325 0	WASHER	8,2X22X5	1	
38	00 0606 326 0	RUBBER SLEEVE	CD-4-214-03	1	
39	00 0606 327 0	SPACER TUBE		1	
40	00 0606 324 0	PIN		1	
41	00 0606 331 0	LOCKING PIECE		1	
42	00 0606 304 0	THREADED PLATE	.	1	
43	00 0071 543 0	DOOR SEAL	15X20X 60	1	
44	00 0606 216 1	DEPOSIT TRAY		1	
1)	Remarks		3000 long		
2)	Remarks		1800 long		

5

Jaguar 685 / 690



CLAAS

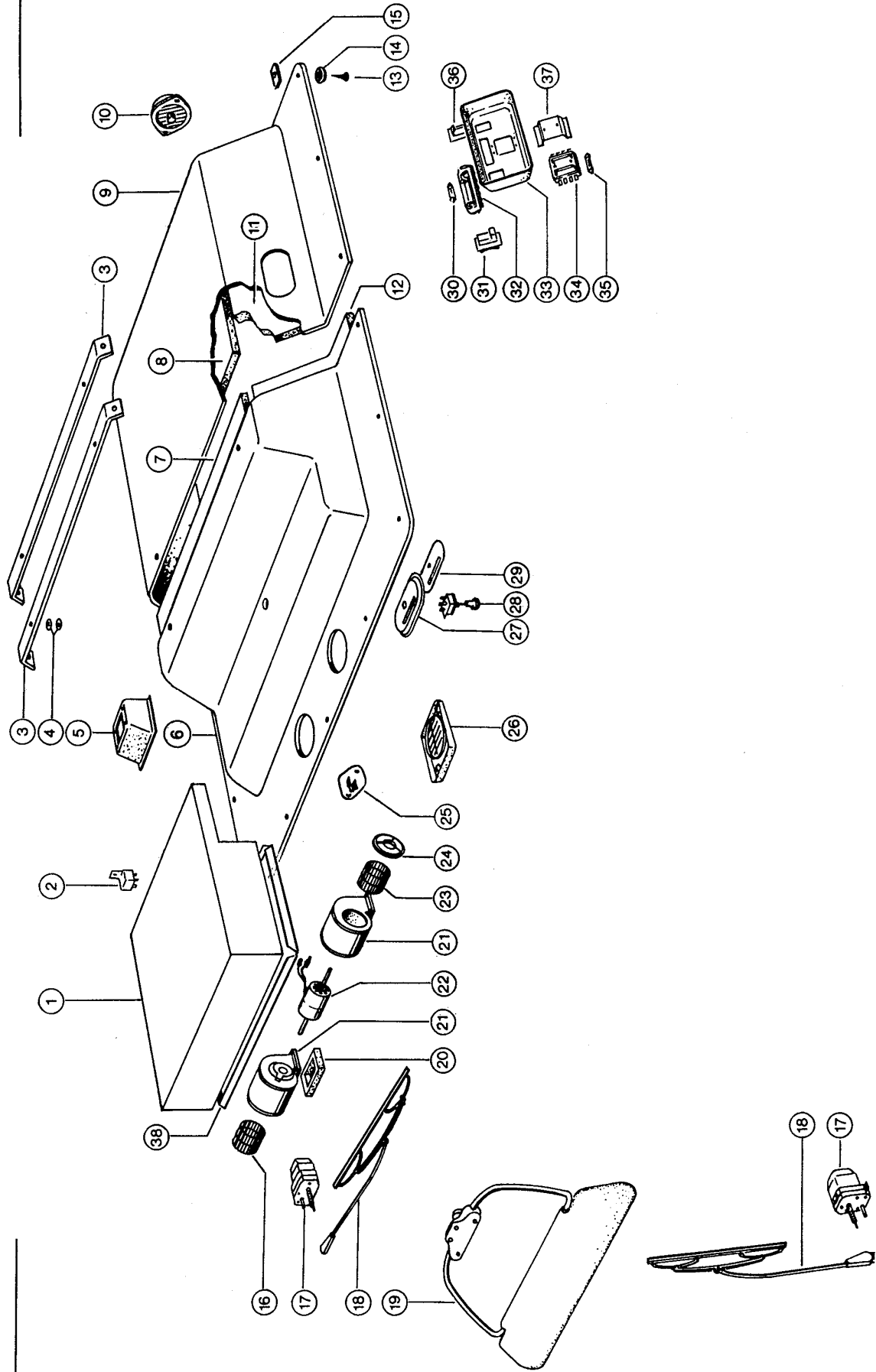
103443

CAB, ROOF, VAR. 3906

Pos.	Part No.	Description	Dimension	Quantity	Conditions
1	00 0071 524 0	ROOF		1	
2	00 0071 536 0	FILTER		1	
3	00 0201 480 0	WOOD PULP STRIP	12X4 SELBSTKLEB	1	
4	00 0606 410 0	RUBBER DISC	6 X 12X 2	2	
5	00 0071 525 1	POCKET FILTER		4	
6	00 0201 354 0	SEALING PROFILE	2,0-3,5	1	
7	00 0071 521 0	GRILLE	115X1102	2	
8	00 0606 484 1	SEALING	2230LG	2	
9	00 0606 398 1	ANGLE		2	
10	00 0071 520 0	FRAME	U 16/13X2X2476	2	
11	00 0071 515 0	PLATE	2X38X130	4	
12	00 0238 018 1	BLIND RIVET	A 4X9	32	
13	00 0071 516 0	PLATE	2X40X130	2	
14	00 0233 245 0	STARLOCK WASHER	8	6	
15	00 0071 526 1	KNURLED BOLT	L 40X50 PF	6	
16	00 0071 540 1	GUARD BOX	1,5X127X448	1	

6

CLAAS



Jaguar 685 / 690

103444

CAB, ROOF, VAR. 3906

Pos.	Part No.	Description	Dimension	Quantity	Conditions
1	00 0621 113 0	FAN+HEATER	KPH 400	1	
2	00 0744 071 1	RELAIS		1	
3	00 0606 463 1	SUPPORT BRACKET		2	
4	00 0606 392 0	LEATHER DISC	9X28X3	8	
5	00 0606 379 0	AIR INTAKE HSG.	CD-2-670-01	2	
6	00 0606 393 3	SKYLIGHT FRONT		1	
7	00 0606 491 0	INSULATION	CD-4-641-03	1	
8	00 0606 493 0	INSULATION	CD-4-642-03	1	
9	00 0606 394 4	SKYLIGHT REAR		1	
10	00 0606 235 0	GRILL		2	1)
10	00 0601 479 0	NOZZLE		2	2)
11	00 0606 396 0	ISOLATION LEFT	CD-4-642-04	1	
11	00 0606 492 0	ISOLATION RIGHT	CD-4-642-02	1	
12	00 0606 395 0	ISOLATION LEFT	CD-4-641-04	1	
12	00 0606 490 0	ISOLATION RIGHT	CD-4-641-02	1	
13	00 0239 489 1	FILL.HEAD SCREW	ST 6,3X32-C-H	18	
14	00 0239 490 0	HOLLOW DISC	7X15	18	
15	00 0239 487 0	NUT	ST6,3 - 2,5-3,0	18	
16	00 0177 450 0	FAN WHEEL R.H.		1	
17	00 0621 970 0	WIPER MOTOR	12 V	2	
18	00 0621 971 0	WIPING ARM+BLADE		2	
18	00 0621 878 1	WIPER BLADE		2	
19	00 0620 348 1	SUN VISOR		1	
20	00 0621 395 0	GASKET		2	
21	00 0177 453 0	FAN HOUSING		2	
22	00 0177 452 0	ELECTRIC MOTOR	12 V	2	
23	00 0177 451 0	FAN WHEEL L.H.		1	
24	00 0177 454 0	VENT.INTAKE BLIND		2	
25	00 0177 449 0	RESISTANCE		1	
26	00 0606 494 1	GRILL		2	
27	00 0693 853 0	FRAME		1	
28	00 0177 455 0	FAN SWITCH		1	
28	00 0177 470 0	DRAW KNOB	19MM/M.SCHRAUBE	1	
29	00 0514 261 2	STICKER	WARM/KALT	1	
30	00 0178 712 0	LAMP		1	
31	00 0071 532 0	ROCKER SWITCH		1	
31	00 0071 533 0	SWITCH INSERT		1	
31	00 0239 215 0	LAMP		1	
32	00 0071 530 0	INNER LAMP		1	
33	00 0071 528 0	ELECTR.CONSOLE		1	
34	00 0604 194 0	FUSE BOX		1	3)
34	00 0658 207 0	FUSE BOX		1	4)
35	00 0239 358 0	FUSE	A 16	4	3)
35	00 0178 701 0	FUSE	A 8	4	4)
36	00 0071 445 2	COVER		1	
37	00 0606 224 1	SUPPORTING PLATE		1	
38	00 0606 239 1	COVER PLATE	CD-1-671-01	1	

1) Remarks from cabin No. 10600

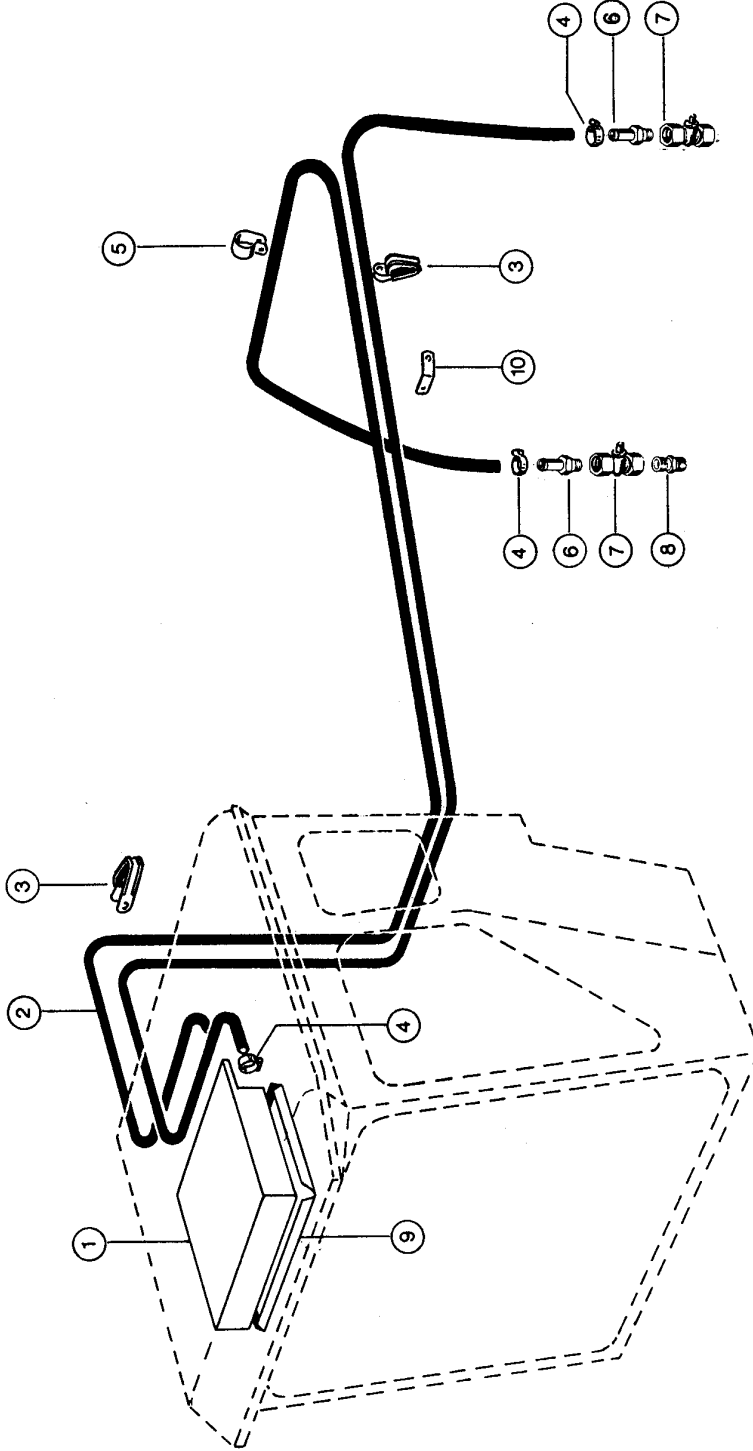
2) Remarks BIS KABINEN-NR. 10599

3) Remarks from No. 18100344

4) Remarks BIS NR. 18100343

7

CLAAS



Jaguar 685 / 690

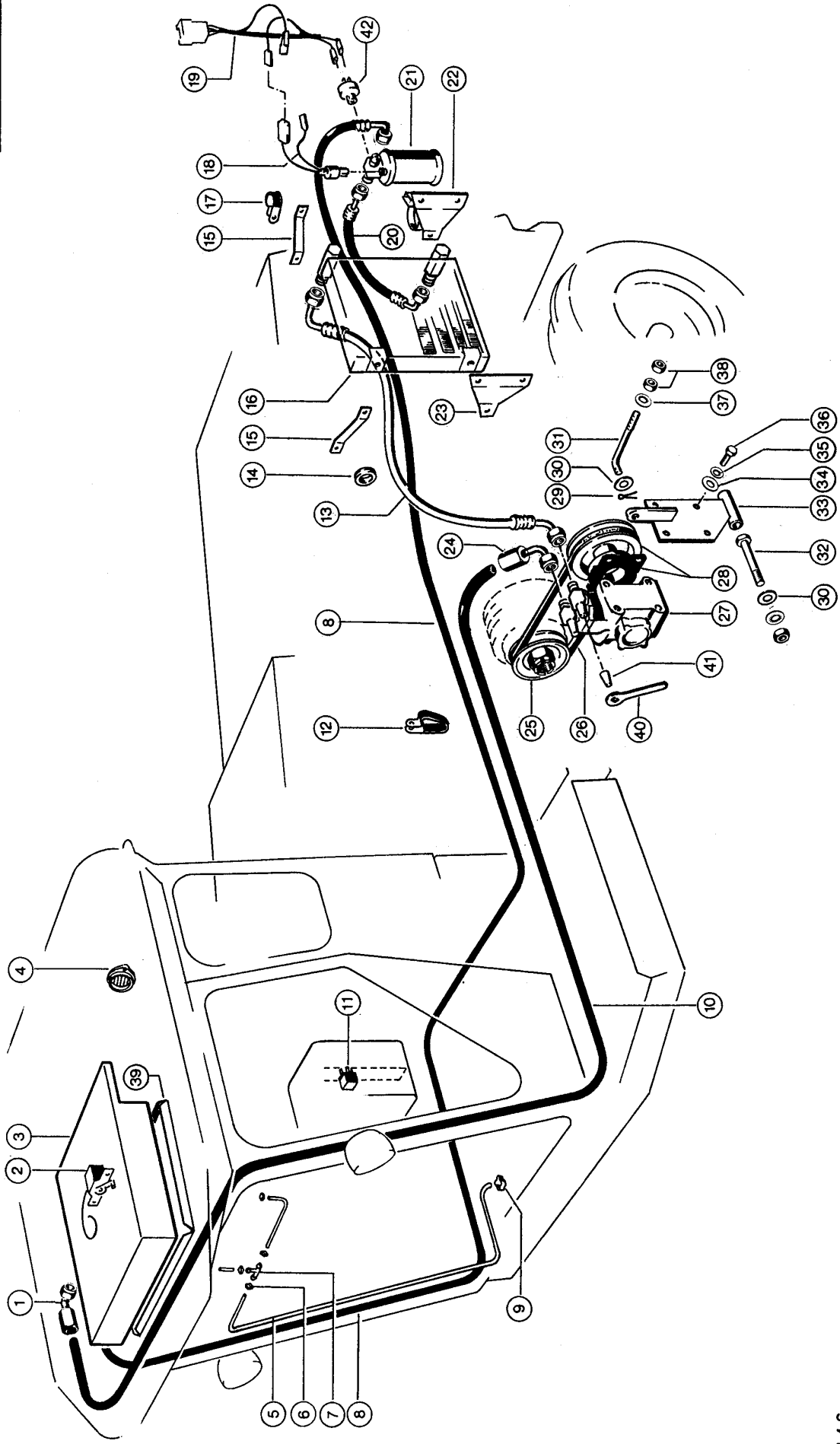
103445

CAB HEATER, VAR. 4142

Pos.	Part No.	Description	Dimension	Quantity	Conditions
1	00 0621 113 0	FAN+HEATER	KPH 400	1	
2	00 0201 125 2	HOSE	A-16X3,5	1	1)
3	00 0238 247 0	HOLDER CLAMP	D2-23-23X15	10	
4	00 0408 554 2	HOSE CLAMP	W.ERS.D.4085543	4	2)
4	00 0238 267 1	HOSE CLAMP	W.ERS.D.2382672	4	3)
5	00 0239 498 0	CLAMP	A1-25X20	7	
6	00 0606 172 0	SCREW UNION		2	
7	00 0406 162 1	BALL-TYPE TAP	3/8"MS VERCHR.	2	
8	00 0405 285 0	DOUBLE NIPPLE	Z3/8 N8	1	
9	00 0606 239 1	COVER PLATE	CD-1-671-01	1	
10	00 0609 147 0	SUPPORT	3X20X70	1	2)
1)	Remarks	7200 long			
2)	Remarks	from No. 18100091			
3)	Remarks	BIS NR. 18100090			

8

CLAAS



Jaguar 685 / 690

103446

Thank you so much for reading.
Please click the “Buy Now!”
button below to download the
complete manual.



After you pay.

You can download the most
perfect and complete manual in
the world immediately.

Our support email:

ebooklibonline@outlook.com