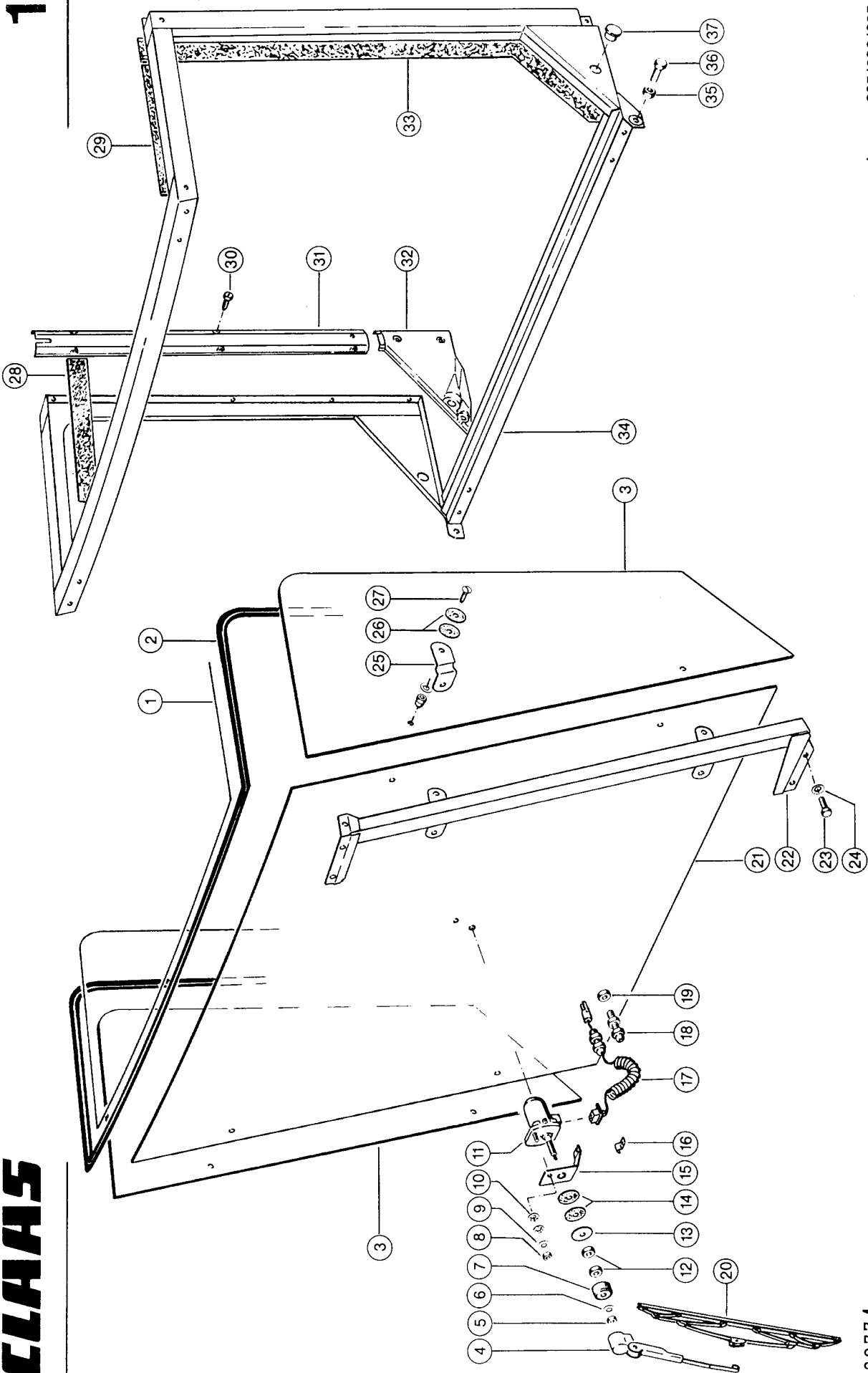


1



Jaguar 695/690/685 SL

**CLHHS**

109774

**CAB, FRONT 1)**

Pos.	Part No.	Description	Dimension	Quantity	Conditions
1	<b>00 0622 624 0</b>	FILLING PROFILE		1	2)
2	<b>00 0622 623 0</b>	PROFILE FRAME		1	
3	<b>00 0622 622 0</b>	SIDE GLAS	SS GRUEN OE BO	2	
4	<b>00 0622 636 0</b>	WIPER ARM		1	
5	<b>00 0236 169 0</b>	HEXAGONAL NUT	M6	1	
6	<b>00 0215 034 0</b>	SERRATED L.WASHER	A 6,4	1	
7	<b>00 0622 641 0</b>	CAP		1	
8	<b>00 0237 216 0</b>	HEXAGONAL NUT	M05	1	
8	<b>00 0215 431 0</b>	GUARD CAP	SW 8-M 5	1	
9	<b>00 0236 910 2</b>	FLAT WASHER	5 -5,3X10X1	1	
10	<b>00 0622 642 0</b>	RUBBER DISC		2	
10	<b>00 0622 673 0</b>	RUBBER DISC		2	
11	<b>00 0622 634 0</b>	WIPER MOTOR		1	
12	<b>00 0622 640 0</b>	HEXAGONAL NUT	M14X1	1	
13	<b>00 0622 639 0</b>	WASHER	14,5X50X2	1	
14	<b>00 0622 638 0</b>	RUBBER DISC		2	
14	<b>00 0622 644 0</b>	RUBBER DISC		2	
15	<b>00 0010 136 0</b>	ANGLE	1,5X40X144,5	1	
16	<b>00 0236 400 0</b>	ATTACHING CLAMP	1X 8-5,2	1	
17	<b>00 0010 135 0</b>	WIRING LOOM	SCHEIBENWISCHER	1	
18	<b>00 0417 261 0</b>	CABLE SCREW	PG 11 POZB	1	
19	<b>00 0412 459 0</b>	COUNTER NUT	PG 11	1	
20	<b>00 0622 637 1</b>	WIPER BLADE		1	
21	<b>00 0622 621 0</b>	FRONT WINDOW	5 X1382X1450	1	
22	<b>00 0622 626 0</b>	COLUMN L.H.	S	1	
22	<b>00 0622 627 0</b>	COLUMN R.H.	S	1	
23	<b>00 0237 439 0</b>	HEXAGON HEAD BOLT	M8X16	10	
24	<b>00 0239 393 1</b>	CONTACT WASHER	B 8 -8.2X22X1,9	10	
25	<b>00 0622 613 1</b>	ATTACHING STRAP	1,5X50X99,2	4	
26	<b>00 0606 351 0</b>	RUBBER DISC	CD-4-300-01	16	
27	<b>00 0610 098 1</b>	COACH BOLT	M8X20	8	
27	<b>00 0238 088 0</b>	CAP NUT	M 8	8	
28	<b>00 0622 966 0</b>	COVER		1	3)
28	<b>00 0622 913 0</b>	COVER		1	4)
29	<b>00 0622 967 0</b>	COVER		1	3)
29	<b>00 0622 912 0</b>	COVER		1	4)
30	<b>00 0242 788 1</b>	CYCL. PLATE SCREW	ST3,9X9,5-C	9	
31	<b>00 0622 989 2</b>	COVER		1	3)
31	<b>00 0622 989 2</b>	COVER		1	4)
32	<b>00 0622 988 0</b>	PANELLING R.H.	GRAU	1	3)
32	<b>00 0622 988 0</b>	PANELLING R.H.	GRAU	1	4)
33	<b>00 0622 968 0</b>	COVER		1	3)
33	<b>00 0622 914 0</b>	COVER		1	4)
34	<b>00 0622 618 0</b>	FRONT FRAME	S	1	
35	<b>00 0238 234 0</b>	LOCK NUT	M12	2	
36	<b>00 0237 572 0</b>	HEXAGON HEAD BOLT	M12X35	2	
37	<b>00 0238 271 0</b>	PLUG	D22,4-F	2	
37	<b>00 0136 544 0</b>	SILICONE-RUBBER	TEROSON SI 55	1	
38	<b>00 0136 545 0</b>	GLUE	SILICON TIVOGUM 8400/31	1	

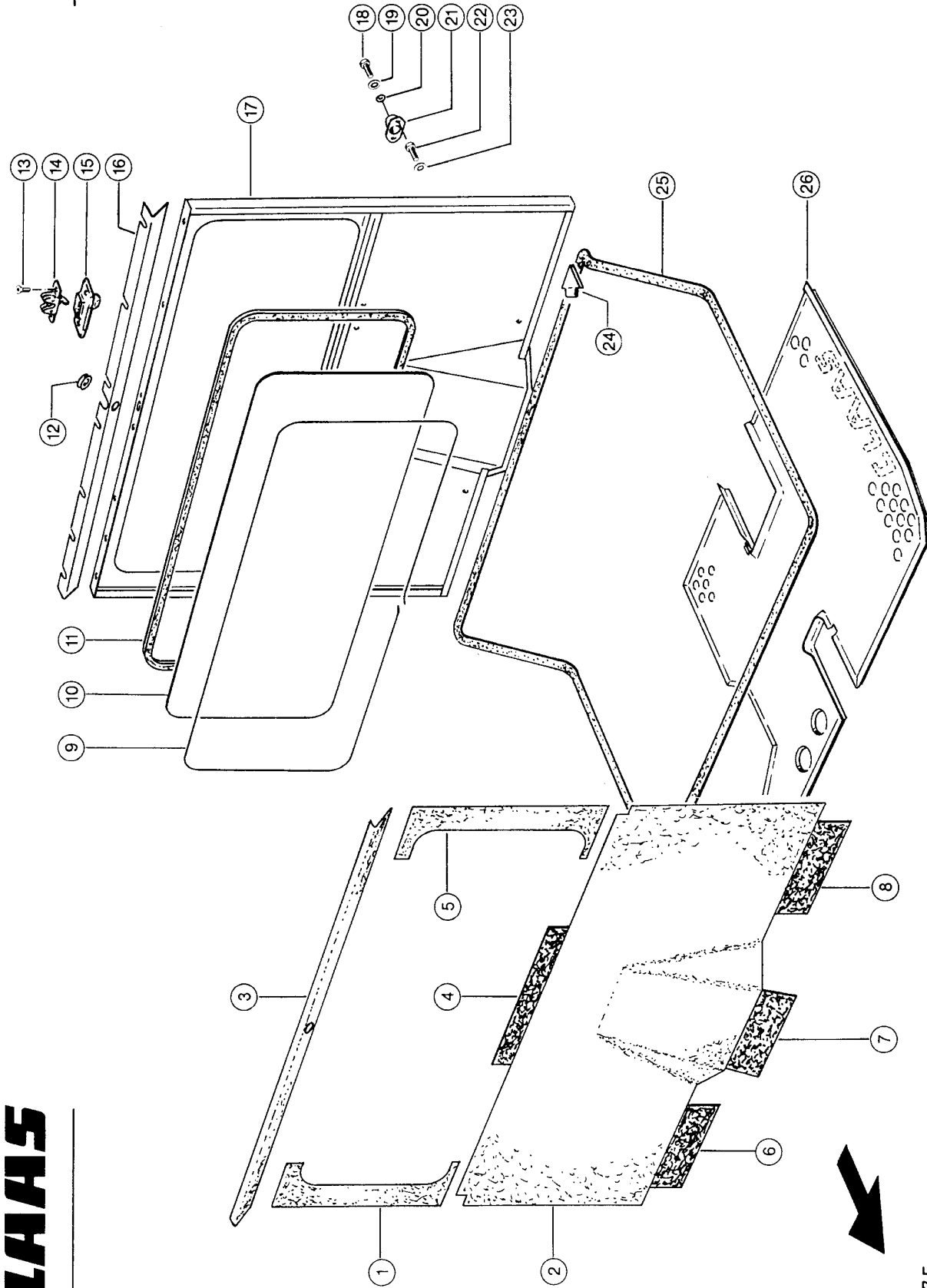
**CAB, FRONT 1)**

---

<b>1) Remarks</b>	Aaa* = ab Nr. 18900766 Aaa* = ab Nr. 18800747 Aaa* = ab Nr. 18700162 Bbb* = bis Nr. 18900765 Bbb* = bis Nr. 18800746 Bbb* = bis Nr. 18700161
<b>2) Remarks</b>	6800 long
<b>3) Remarks</b>	AAA*
<b>4) Remarks</b>	BBB*

---

2



Jaguar 695/690/685 SL

**CLAAS**

**CAB, BACK PANEL**

Pos.	Part No.	Description	Dimension	Quantity	Conditions
1	<b>00 0074 120 0</b>	PANELLING R.H.	190X 565	1	1)
1	<b>00 0074 892 0</b>	PANELLING R.H.	BEIGE	1	2)
2	<b>00 0074 118 0</b>	REAR PANEL COVER	GRAU	1	1)
2	<b>00 0074 866 1</b>	REAR PANEL COVER	BEIGE	1	2)
3	<b>00 0074 124 0</b>	TOP SHEETING	80X1328	1	1)
3	<b>00 0074 895 0</b>	TOP SHEETING		1	2)
4	<b>00 0074 876 1</b>	INSULATION	2X100X600	1	
5	<b>00 0074 119 0</b>	PANELLING L.H.	185X 565	1	1)
5	<b>00 0074 891 0</b>	PANELLING L.H.	BEIGE	1	2)
6	<b>00 0074 877 1</b>	INSULATION	2X340X450	1	
7	<b>00 0074 874 0</b>	INSULATION	2X240X330	1	
8	<b>00 0074 875 1</b>	INSULATION	2X310X450	1	
9	<b>00 0201 420 0</b>	FILLING PROFILE	7,5 X 9,5	1	3)
10	<b>00 0074 865 0</b>	REAR PANEL GLASS	0,2X 478X1258	1	
11	<b>00 0201 419 0</b>	CLAMP PROFILE		1	3)
12	<b>00 0238 250 0</b>	GROMMET	A 24X30X3,5	1	
13	<b>00 0237 061 0</b>	COUNTERSUNK BOLT	M6X16	2	
14	<b>00 0609 636 1</b>	COVER LOCK	100X26	1	
15	<b>00 0622 833 0</b>	COLLAR	2,8	1	
16	<b>00 0074 894 1</b>	PROFILE	1,5X99X1320	1	
17	<b>00 0074 864 1</b>	REAR PANEL		1	
18	<b>00 0237 442 0</b>	HEXAGON HEAD BOLT	M8X25	2	
19	<b>00 0239 387 0</b>	CONTACT WASHER	A8-8,2X18X1,4	2	
20	<b>00 0237 957 0</b>	WASHER	8,5X30X3	1	
21	<b>00 0622 748 0</b>	SWING METAL		2	4)
22	<b>00 0236 200 0</b>	HEXAGON HEAD BOLT	M8X20	4	
23	<b>00 0239 393 1</b>	CONTACT WASHER	B 8 -8.2X22X1,9	4	
24	<b>00 0606 251 0</b>	CORNER METAL SEAL		2	
25	<b>00 0606 217 1</b>	SEAL STRIP	1-4 MM; 17,2X33,4	1	
26	<b>00 0074 540 3</b>	FLOOR MAT		1	
27	<b>00 0136 545 0</b>	GLUE	TIVOGUM 8400/31	1	

<b>1) Remarks</b>	AAA*
-------------------	------

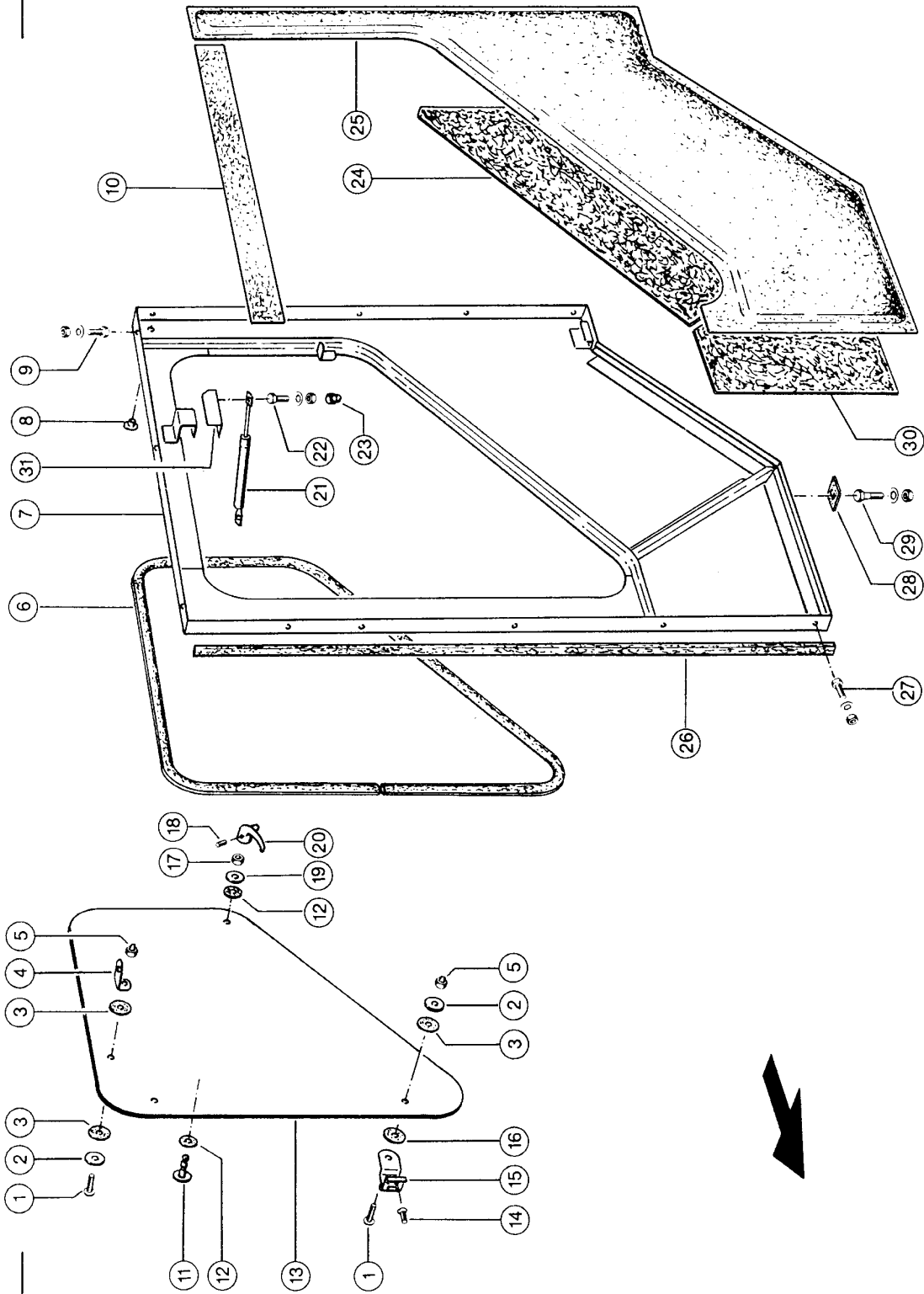
<b>2) Remarks</b>	BBB*
-------------------	------

<b>3) Remarks</b>	3350 long
-------------------	-----------

<b>4) Remarks</b>	CCC*
-------------------	------

3

Jaguar 695/690/685 SL



**CLAAS**

**CAB, R.H. SIDE 1)**

Pos.	Part No.	Description	Dimension	Quantity	Conditions
1	<b>00 0610 098 1</b>	COACH BOLT	M8X20	3	
2	<b>00 0237 957 0</b>	WASHER	8,5X30X3	3	
3	<b>00 0606 352 0</b>	RUBBER DISC	CD-4-300-02	4	
4	<b>00 0622 724 0</b>	GAS SPRING BEAR.	30X3X74	1	
5	<b>00 0238 088 0</b>	CAP NUT	M 8	3	
6	<b>00 0201 876 1</b>	SEAL STRIP	17,5X24,65	1	2)
7	<b>00 0622 721 0</b>	SIDE WALL R.H.	S	1	
8	<b>00 0238 286 0</b>	PLUG	D14,6-F	1	
9	<b>00 0236 200 0</b>	HEXAGON HEAD BOLT	M8X20	3	
9	<b>00 0236 170 0</b>	HEXAGONAL NUT	M8	3	
9	<b>00 0239 393 1</b>	CONTACT WASHER	B 8 -8.2X22X1,9	3	
10	<b>00 0622 971 0</b>	COVER		1	3)
10	<b>00 0622 917 0</b>	COVER		1	4)
11	<b>00 0606 357 1</b>	PIN		1	
12	<b>00 0606 358 0</b>	RUBBER DISC	CD-4-301-04/1	2	
13	<b>00 0622 723 0</b>	SIDE WINDOW R.H.	6 X 632X1087	1	
14	<b>00 0237 061 0</b>	COUNTERSUNK BOLT	M6X16	4	
15	<b>00 0606 381 0</b>	HINGE		2	
16	<b>00 0606 351 0</b>	RUBBER DISC	CD-4-300-01	2	
17	<b>00 0237 786 0</b>	FLAT HEX NUT	M10	1	
18	<b>00 0239 428 0</b>	THREADED PIN	M 5X16	1	
19	<b>00 0523 126 0</b>	WASHER	10,5X35 X5	1	
20	<b>00 0606 360 0</b>	HANDLE	CD-4-301-06/1	1	
21	<b>00 0622 708 1</b>	GAS SPRING		1	
22	<b>00 0237 439 0</b>	HEXAGON HEAD BOLT	M8X16	2	
22	<b>00 0238 132 0</b>	LOCK NUT	M8	2	
22	<b>00 0236 912 2</b>	FLAT WASHER	8 - 8,4X16X1,6	2	
23	<b>00 0215 432 0</b>	GUARD CAP	SW13-M8 - GPN 1000	2	
24	<b>00 0622 729 0</b>	INSULATION		1	
25	<b>00 0622 739 0</b>	COVER		1	3)
25	<b>00 0622 725 1</b>	COVER		1	4)
26	<b>00 0201 480 0</b>	WOOD PULP STRIP	12X4 SELBSTKLEB	1	5)
27	<b>00 0237 439 0</b>	HEXAGON HEAD BOLT	M8X16	4	
27	<b>00 0610 097 1</b>	COACH BOLT	M8X16	1	
27	<b>00 0236 170 0</b>	HEXAGONAL NUT	M8	5	
27	<b>00 0239 393 1</b>	CONTACT WASHER	B 8 -8.2X22X1,9	5	
28	<b>00 0606 219 1</b>	RUBBER PAD		1	
29	<b>00 0237 573 0</b>	HEXAGON HEAD BOLT	M12X50	1	
29	<b>00 0238 234 0</b>	LOCK NUT	M12	1	
29	<b>00 0239 389 0</b>	CONTACT WASHER	A12	1	
30	<b>00 0622 726 0</b>	INSULATION		1	
31	<b>00 0074 917 0</b>	SUPPORT	3X60X80	1	
32	<b>00 0136 545 0</b>	GLUE	TIVOGUM 8400/31	1	

**1) Remarks**

Aaa\* = ab Nr. 18900766  
Aaa\* = ab Nr. 18800747  
Aaa\* = ab Nr. 18700162  
Bbb\* = bis Nr. 18900765  
Bbb\* = bis Nr. 18800746  
Bbb\* = bis Nr. 18700161

**2) Remarks**

2850 long

**3) Remarks**

AAA\*

**4) Remarks**

BBB\*

**CAB, R.H. SIDE 1)**

---

**5) Remarks**

1480 long

---

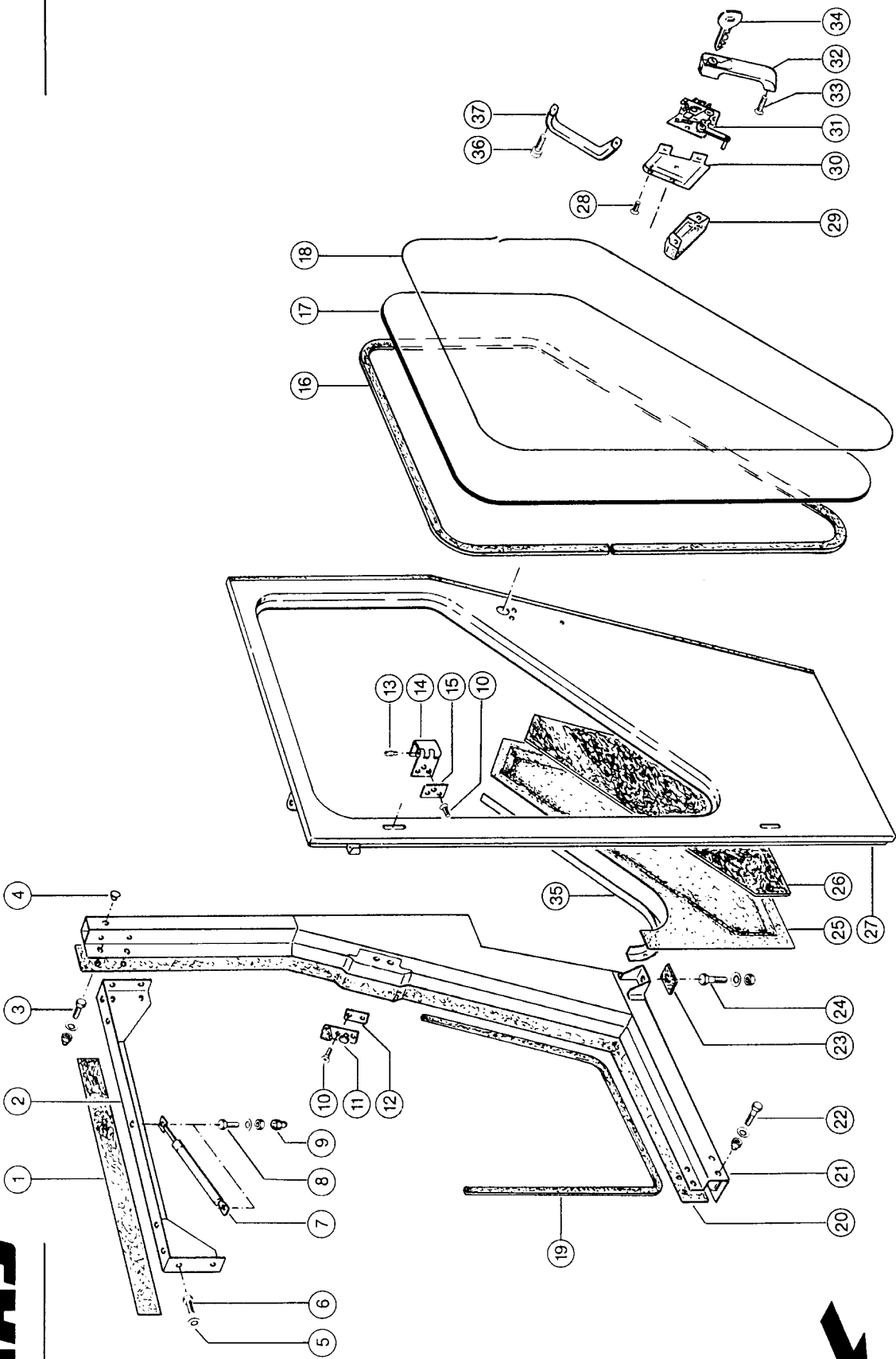


# 4

# CLAAS

JAGUAR 695-685 SL

Jaguar 695/690/685 SL



109777

**CAB, L.H. SIDE WITH DOOR 1)**

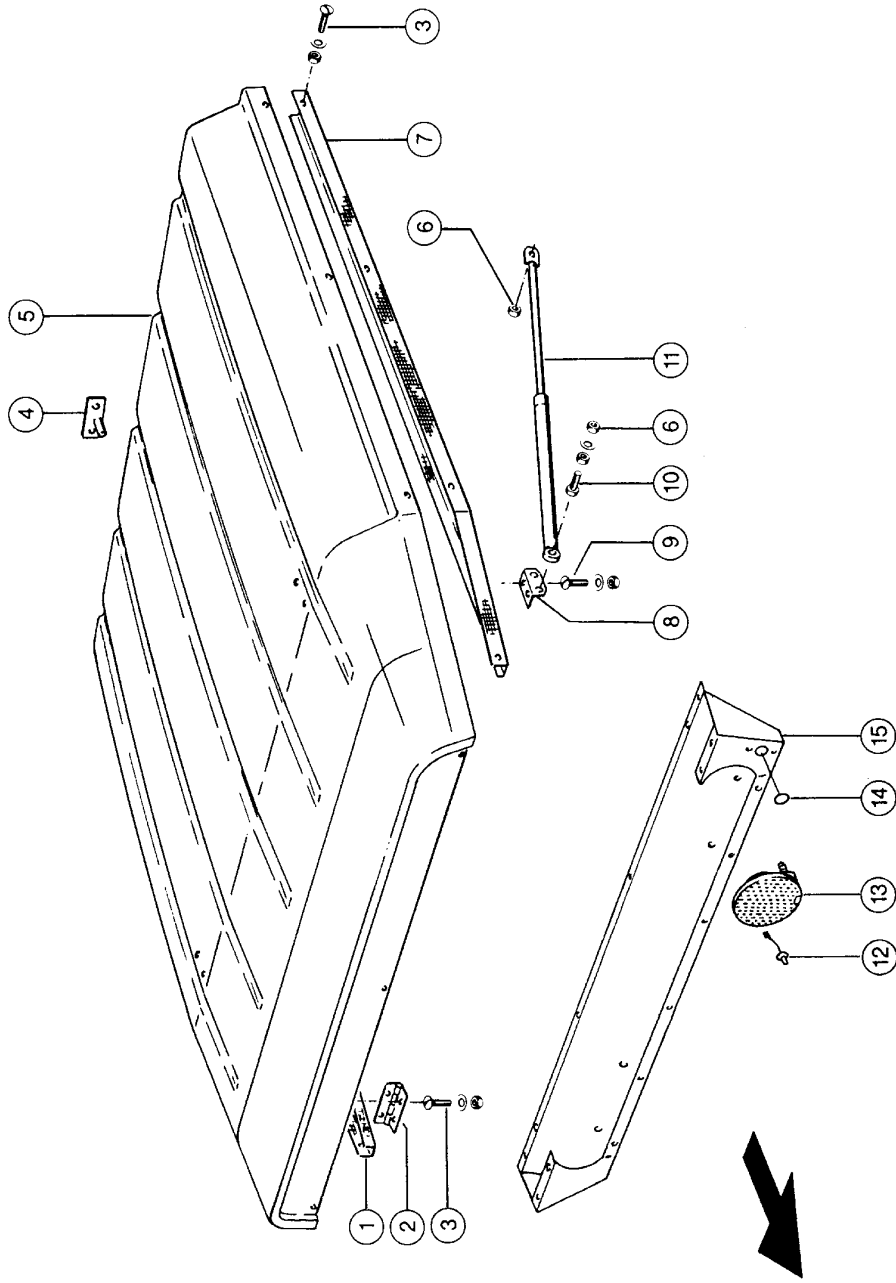
Pos.	Part No.	Description	Dimension	Quantity	Conditions
1	00 0622 969 0	COVER		1	2)
1	00 0622 915 0	COVER		1	3)
2	00 0622 682 1	REINFOR. BAR, L.H	S	1	
3	00 0237 438 0	HEXAGON HEAD BOLT	M8X12	5	
3	00 0238 088 0	CAP NUT	M 8	5	
3	00 0239 393 1	CONTACT WASHER	B 8 -8.2X22X1,9	5	
4	00 0238 286 0	PLUG	D14,6-F	1	
5	00 0239 393 1	CONTACT WASHER	B 8 -8.2X22X1,9	5	
6	00 0237 438 0	HEXAGON HEAD BOLT	M8X12	5	
7	00 0622 708 1	GAS SPRING		1	
8	00 0237 439 0	HEXAGON HEAD BOLT	M8X16	2	
8	00 0238 132 0	LOCK NUT	M8	2	
8	00 0236 912 2	FLAT WASHER	8 - 8,4X16X1,6	2	
9	00 0215 432 0	GUARD CAP	SW13-M8 - GPN 1000	2	
10	00 0237 068 0	COUNTERSUNK BOLT	M 8X 20	8	
11	00 0622 684 0	LOCKING KEY		1	
12	00 0622 683 0	THREADED PLATE	6X30X62	1	
13	00 0236 942 0	GREASE NIPPLE	A S6X1	2	
14	00 0622 619 0	DOOR HINGE		2	
15	00 0622 620 0	THREADED PLATE	50X6X30	2	
16	00 0622 703 0	SEALING PROFILE		1	4)
17	00 0622 702 0	DOOR GLASS	6 X 622X1071	1	
18	00 0622 624 0	FILLING PROFILE		1	4)
19	00 0201 354 0	SEALING PROFILE	2,0-3,5	1	5)
20	00 0622 970 0	COVER		1	2)
20	00 0622 916 0	COVER		1	3)
21	00 0622 681 0	SIDE PART L.H.	S	1	
22	00 0244 415 0	HEXAGON HEAD BOLT	M 8X55	2	
22	00 0238 088 0	CAP NUT	M 8	2	
22	00 0239 393 1	CONTACT WASHER	B 8 -8.2X22X1,9	2	
23	00 0606 219 1	RUBBER PAD		1	
24	00 0237 573 0	HEXAGON HEAD BOLT	M12X50	1	
24	00 0238 234 0	LOCK NUT	M12	1	
24	00 0239 389 0	CONTACT WASHER	A12	1	
25	00 0622 697 0	DOOR LINING	GRAU	1	2)
25	00 0622 707 1	DOOR LINING	BEIGE	1	3)
26	00 0622 706 0	INSULATION	2X475X530	1	
27	00 0622 717 0	DOOR		1	2)
27	00 0622 701 1	DOOR	S	1	3)
28	00 0665 564 1	COACH BOLT	M6X12	5	
29	00 0070 217 3	CAP		1	3)
30	00 0622 719 0	LOCK COVER		1	2)
30	00 0622 704 0	LOCK COVER	1,5X116X148	1	3)
31	00 0622 705 0	DOOR LOCK		1	
32	00 0622 709 1	PUSH-BUTTON LEVER		1	
33	00 0241 254 0	COUNTERSUNK BOLT	M 6X45	1	
34	00 0622 716 0	DOOR KEY	1001	1	
35	00 0622 965 2	DOOR FRAME		1	
36	00 0233 415 0	SOCKET HEAD SCREW	M06X30	2	2)
37	00 0622 981 0	DOOR HANDLE		1	2)
38	00 0136 545 0	GLUE	TIVOGUM 8400/31	1	

**CAB, L.H. SIDE WITH DOOR 1)**

<b>1) Remarks</b>	Aaa* = ab Nr. 18900766 Aaa* = ab Nr. 18800747 Aaa* = ab Nr. 18700162 Bbb* = bis Nr. 18900765 Bbb* = bis Nr. 18800746 Bbb* = bis Nr. 18700161
<b>2) Remarks</b>	AAA*
<b>3) Remarks</b>	BBB*
<b>4) Remarks</b>	2850 long
<b>5) Remarks</b>	3850 long

5

**CLHHS**



Jaguar 695/690/685 SL

109778

**CAB, ROOF 1)**

Pos.	Part No.	Description	Dimension	Quantity	Conditions
1	<b>00 0622 779 1</b>	SCREEN R.H.	1X96X1445	1	
2	<b>00 0606 737 1</b>	HINGE	60X101	2	
3	<b>00 0636 792 1</b>	COACH BOLT	M6X 16	14	
3	<b>00 0236 169 0</b>	HEXAGONAL NUT	M6	14	
3	<b>00 0239 392 0</b>	CONTACT WASHER	B 6 -6X18X1,4	14	
4	<b>00 0622 780 0</b>	HOOD HOLDER		1	
5	<b>00 0622 999 1</b>	CABIN ROOF		1	2)
5	<b>00 0622 777 2</b>	CABIN ROOF		1	3)
6	<b>00 0238 132 0</b>	LOCK NUT	M8	4	
7	<b>00 0622 778 1</b>	SCREEN L.H.	1X96X1445	1	
8	<b>00 0622 936 0</b>	GAS SPRING BEAR.	3X80,5X85	2	
9	<b>00 0610 097 1</b>	COACH BOLT	M8X16	4	
9	<b>00 0236 170 0</b>	HEXAGONAL NUT	M8	4	
9	<b>00 0239 393 1</b>	CONTACT WASHER	B 8 -8.2X22X1,9	4	
10	<b>00 0244 378 0</b>	HEXAGON HEAD BOLT	M 8X25	2	
10	<b>00 0236 170 0</b>	HEXAGONAL NUT	M8	2	
10	<b>00 0236 912 2</b>	FLAT WASHER	8 - 8,4X16X1,6	2	
11	<b>00 0618 885 0</b>	GAS SPRING		2	2)
11	<b>00 0622 786 0</b>	GAS SPRING		2	3)
12	<b>00 0238 091 0</b>	LAMP		4	4)
13	<b>00 0012 144 0</b>	WORK LIGHT		4	4)
14	<b>00 0215 502 0</b>	COVER CAP	27,0-33,0	1	2)
15	<b>00 0618 978 0</b>	LIGHT SUPPORT		1	2)
18	<b>00 0514 393 0</b>	STICKER	CLAAS	1	5)

**1) Remarks**

Aaa\* = ab Nr. 18900766  
Aaa\* = ab Nr. 18800747  
Aaa\* = ab Nr. 18700162  
Bbb\* = bis Nr. 18900765  
Bbb\* = bis Nr. 18800746  
Bbb\* = bis Nr. 18700161

**2) Remarks**

AAA\*

**3) Remarks**

BBB\*

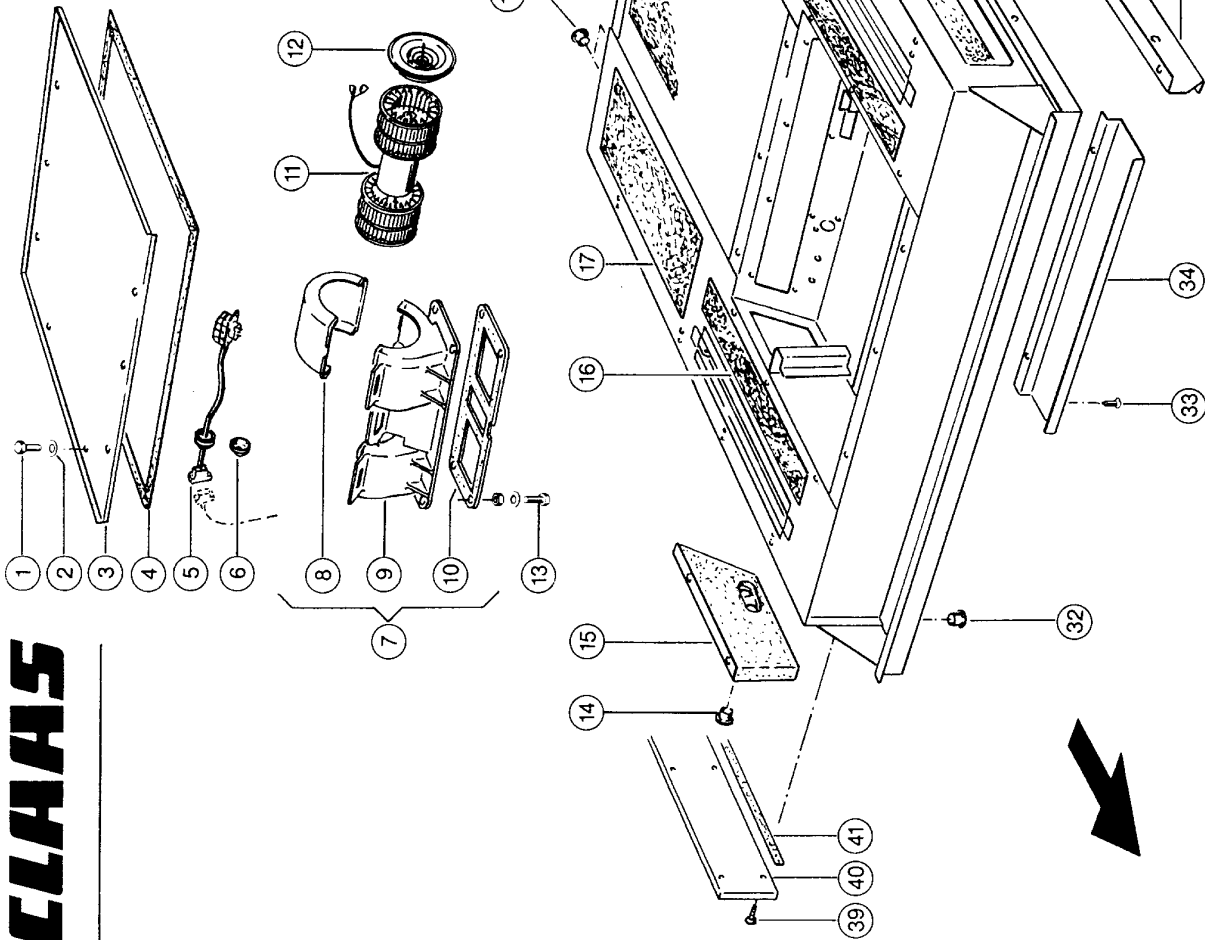
**4) Remarks**

(2) AAA\*

**5) Remarks**

AM KABINENDACH

# 6



Jaguar 695/690/685 SL

# CLAAS

109779



**CAB, ROOF 1)**

Pos.	Part No.	Description	Dimension	Quantity	Conditions
1	<b>00 0237 464 0</b>	HEXAGON HEAD BOLT	M06X12	10	
2	<b>00 0239 392 0</b>	CONTACT WASHER	B 6 -6X18X1,4	10	
3	<b>00 0622 772 0</b>	COVER	1X640X667	1	
4	<b>00 0201 480 0</b>	WOOD PULP STRIP	12X4 SELBSTKLEB	1	2)
5	<b>00 0622 764 0</b>	RESISTANCE		1	
6	<b>00 0215 409 0</b>	GROMMET	C 10-18X30X1,5	1	
7	<b>00 0622 763 1</b>	FAN	DRG 1200 (12V)	1	
8	<b>00 0622 924 0</b>	HALF-BOWL		2	
9	<b>00 0622 922 0</b>	HOUSING		1	
10	<b>00 0622 923 0</b>	GASKET		1	
11	<b>00 0622 920 0</b>	FAN WHEEL		1	
12	<b>00 0622 921 0</b>	BORDER		2	
13	<b>00 0237 465 0</b>	HEXAGON HEAD BOLT	M6X16	4	
13	<b>00 0237 983 0</b>	HEXAGONAL NUT	M6	4	
13	<b>00 0236 180 0</b>	FLAT WASHER	6 -6,4X18X1,6	4	
14	<b>00 0238 886 2</b>	PLUG	D30,5-F	5	
15	<b>00 0622 829 0</b>	BAFFLE R.H.		1	
16	<b>00 0622 743 0</b>	INSULATION	2X100X530	4	
17	<b>00 0622 744 0</b>	INSULATION	2X200X530	4	
18	<b>00 0215 409 0</b>	GROMMET	C 10-18X30X1,5	1	3)
19	<b>00 0622 746 0</b>	INSULATION	2X500X530	1	
19	<b>00 0622 749 0</b>	INSULATION	2X400X250	2	
20	<b>00 0622 995 2</b>	ROOF		1	4)
20	<b>00 0622 762 1</b>	ROOF	S	1	5)
21	<b>00 0205 368 0</b>	SEALING FOAM	15X20X1985	2	6)
22	<b>00 0242 788 1</b>	CYCL. PLATE SCREW	ST3,9X9,5-C	8	
23	<b>00 0622 767 1</b>	EXHAUST AIR PANEL	1X150X254,5	2	
24	<b>00 0622 768 0</b>	FILTER MAT		2	
25	<b>00 0238 456 0</b>	CABLE RING	A 30X38X1,6	1	3)
26	<b>00 0238 457 0</b>	PLUG	D38,4-F	1	
28	<b>00 0236 701 1</b>	BLIND RIVET	A 3,2X 6	6	7)
29	<b>00 0622 775 0</b>	FLAT SPRING		3	8)
30	<b>00 0622 941 1</b>	FILTER FRAME L.H		1	
30	<b>00 0622 942 1</b>	FILTER FRAME R.H		1	5)
31	<b>00 0505 737 3</b>	HINGE	48X 45	3	8)
32	<b>00 0238 271 0</b>	PLUG	D22,4-F	2	
33	<b>00 0237 935 1</b>	SHEET METAL SCREW	ST3,5X 9,5-C	5	
34	<b>00 0622 812 0</b>	COVER PLATE	0,75X144,5X570	1	
35	<b>00 0622 956 0</b>	BRACKET L.H.		1	4)
35	<b>00 0622 787 0</b>	BRACKET L.H.		1	5)
35	<b>00 0622 957 0</b>	BRACKET R.H.		1	4)
35	<b>00 0622 788 0</b>	BRACKET R.H.		1	5)
36	<b>00 0622 828 0</b>	BAFFLE L.H.		1	
37	<b>00 0201 354 0</b>	SEALING PROFILE	2,0-3,5	1	
38	<b>00 0071 525 1</b>	POCKET FILTER		2	9)
39	<b>00 0242 713 1</b>	FILL.HEAD SCREW	ST3,9X16-C-H	12	4)
40	<b>00 0074 123 0</b>	ORIFICE PLATE		1	4)
41	<b>00 0201 480 0</b>	WOOD PULP STRIP	12X4 SELBSTKLEB	1	4)
44	<b>00 0201 843 0</b>	SILICONE-RUBBER	LICHTGRAU300ML ERS.D.201	1	

Thank you so much for reading.  
Please click the “Buy Now!”  
button below to download the  
complete manual.



After you pay.

You can download the most  
perfect and complete manual in  
the world immediately.

Our support email:

[ebooklibonline@outlook.com](mailto:ebooklibonline@outlook.com)