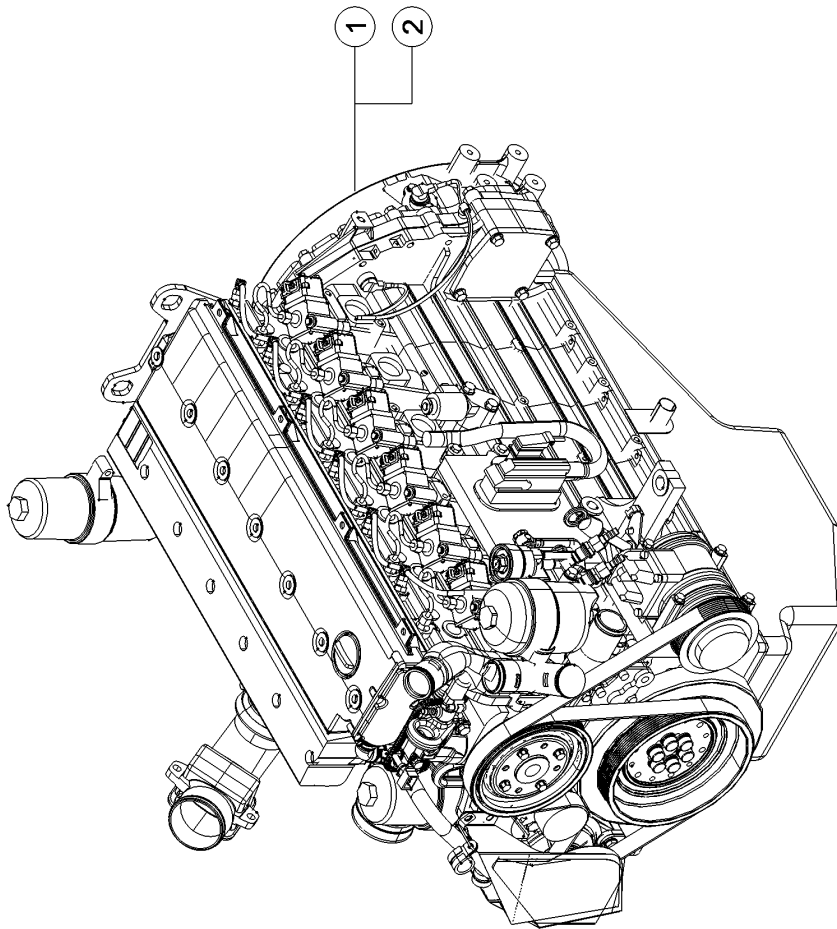


990

CLAAS



04678z00
JAGUAR 810

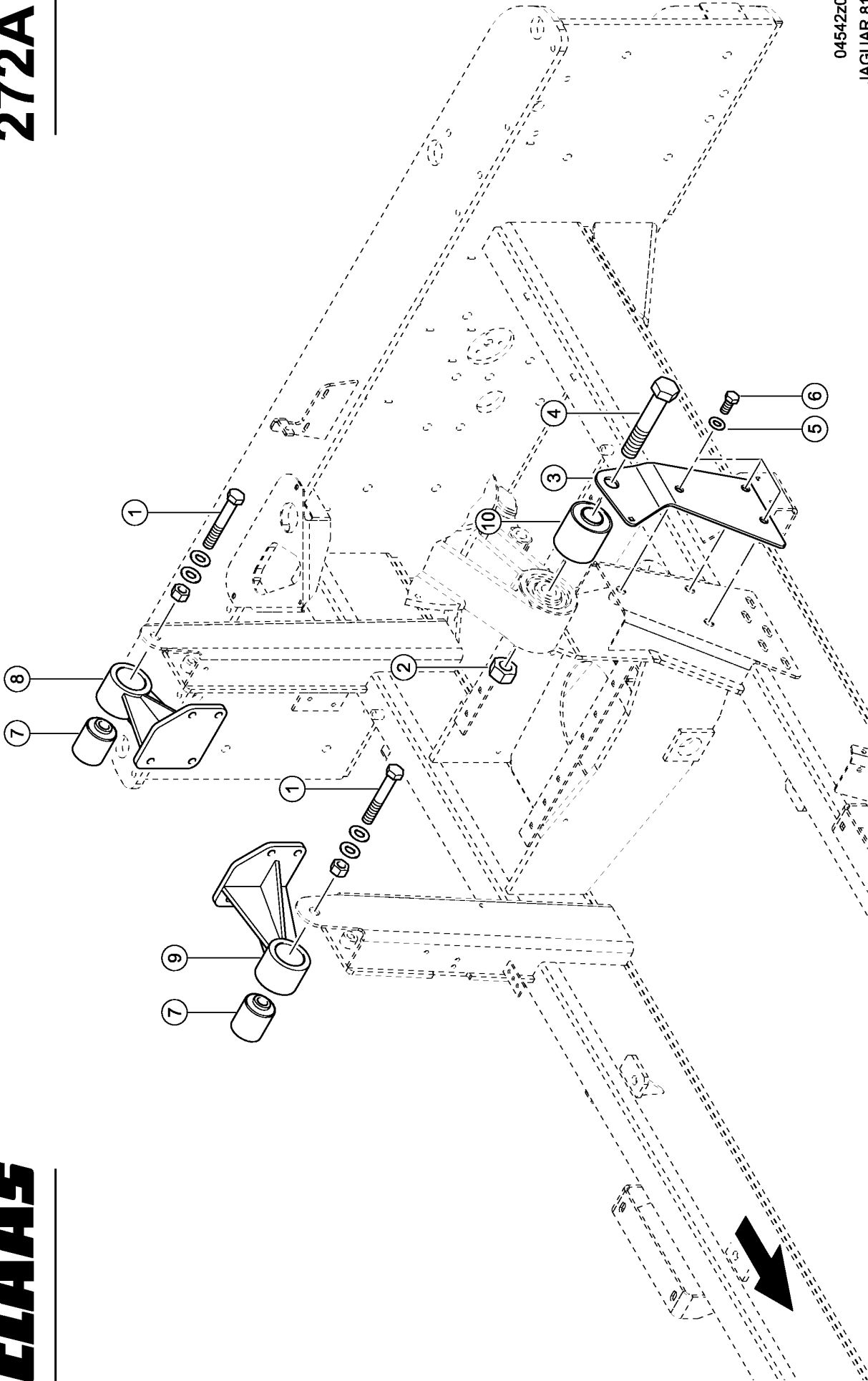
010 COMPLETE ENGINE

Pos.	Part No.	Description	Dimension	Quantity	Conditions
1	00 0142 529 0	ENGINE	OM 460 LA 220KW	1	1)
2	00 1993 170 0	ENGINE	REMAN OM 460 LA 220KW	1	2)
1)	Equipment	SH_P02_0162	OM460 EWGXXXkW/ECE220kW		
2)	Equipment	SH_P02_0162	OM460 EWGXXXkW/ECE220kW		
	Remarks		Exchange / Reman		

272A

CLAAS

04542z00
JAGUAR 810

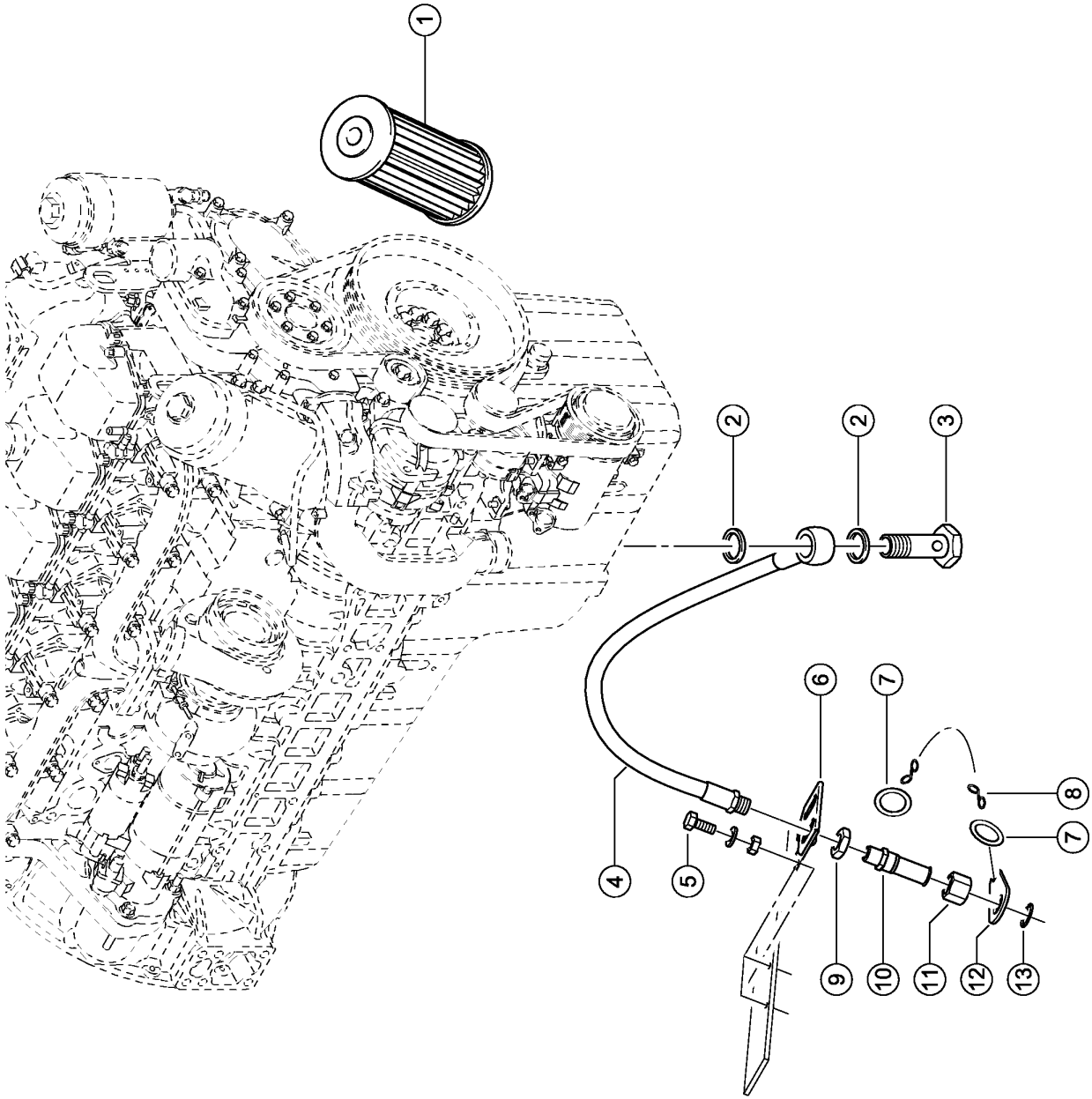


ENGINE SUSPENSION, OM460 LA

Pos.	Part No.	Description	Dimension	Quantity	Conditions
1	00 0211 186 0	HEXAGON HEAD BOLT	M20X130	2	
1	00 0212 191 0	CONTACT WASHER	A20	4	
1	00 0237 521 0	HEX.NUT	M20	2	
2	00 0211 242 0	HEXAGONAL NUT	M30	1	
3	00 0067 499 1	BEARING PLATE		1	
4	00 0211 241 0	HEXAGON HEAD BOLT	M30X170	1	
5	00 0239 391 0	CONTACT WASHER	A16	2	
6	00 0216 177 0	HEXAGON HEAD BOLT	M16X35	2	
7	00 0090 330 0	MEGU BUSHING	22X65X89,5	2	
8	00 0067 752 1	ENGINE SUPPORT	GESCHW.	1	
9	00 0067 757 1	ENGINE SUPPORT	GESCHW.	1	
10	00 0090 328 0	MEGU BUSHING	31X100X110	1	

273

04543z00
JAGUAR 810



CLAAS

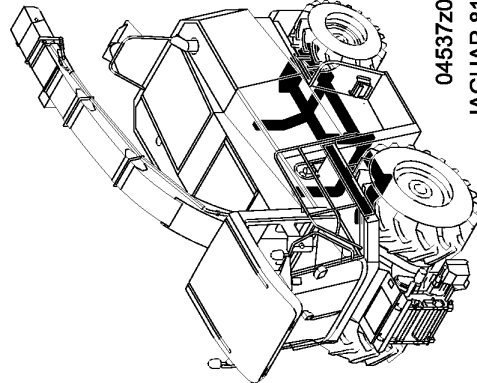
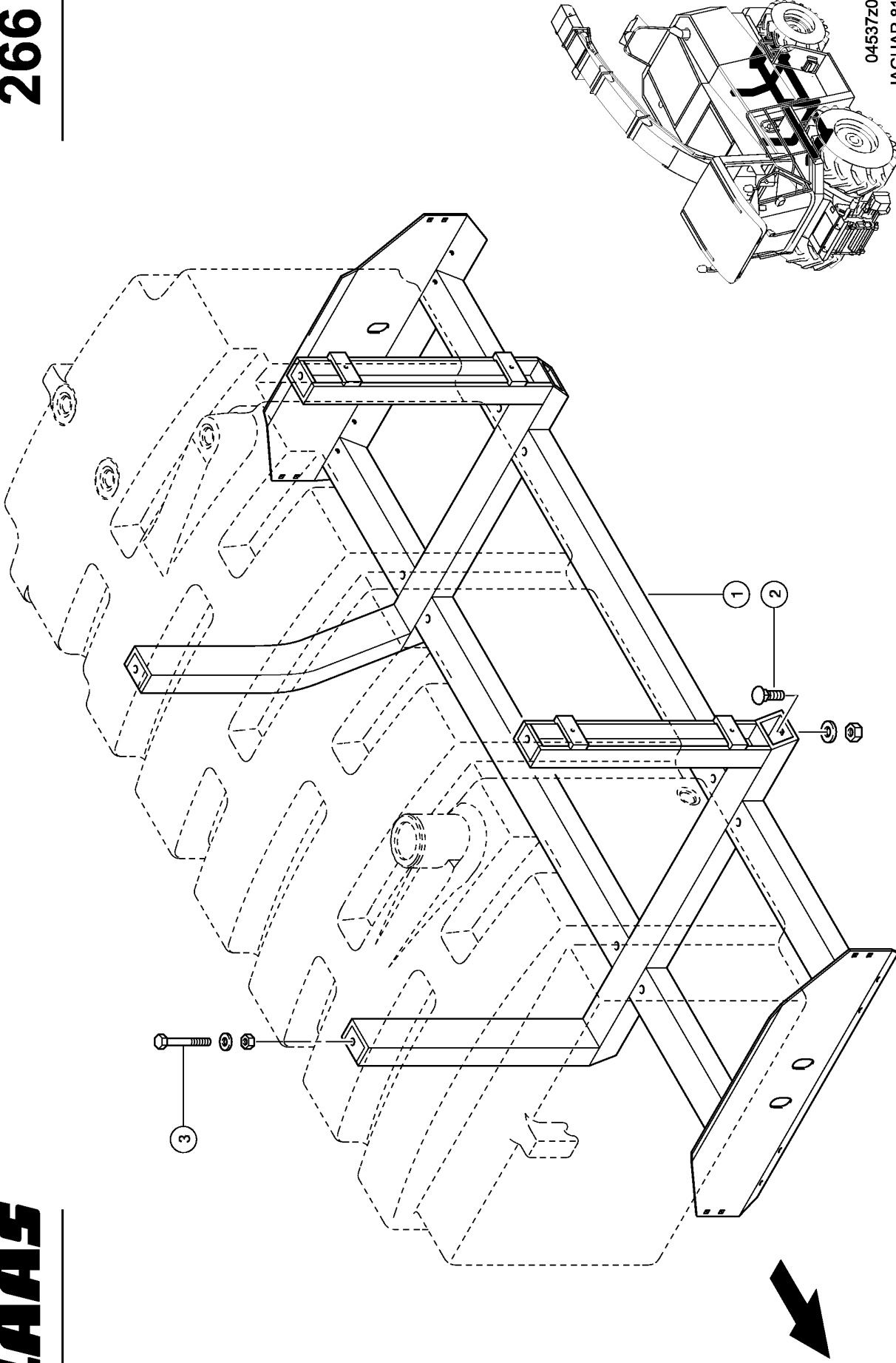
LUBRICATING OIL SYSTEM, OM460 LA

Pos.	Part No.	Description	Dimension	Quantity	Conditions
1	00 0142 064 0	FILTER ELEMENT		1	
2	00 0633 032 1	SEALING RING	D22X27X1,5	2	
3	00 0215 035 0	HOLLOW SCREW	18 - 3 - M22X1,5	1	
4	00 0142 207 0	OIL DRAIN HOSE		1	
5	00 0236 200 0	HEXAGON HEAD BOLT	M8X20	1	
5	00 0239 387 0	CONTACT WASHER	A8-8,2X18X1,4	1	
5	00 0236 170 0	HEXAGONAL NUT	M8	1	
6	00 0668 879 0	SUPPORT	3,0X0110X0126	1	
7	00 0002 846 0	RING	SPIRALFÖRMIG OFFEN2 16 X		
8	00 0002 848 0	KNOT CHAIN	1,8X 25X 6GL	1	
9	00 0236 327 0	HEXAGONAL NUT	M22X1,5	1	
10	00 0077 528 2	DRAIN FITTING	D18,1X51,5	1	
11	00 0633 589 1	UNION NUT	A3 L15	1	
12	00 0077 529 0	STRAP	1,0X0026X0041	1	
13	00 0215 080 0	SNAP RING	A 14	1	

266

CLAAS

JAGUAR 810



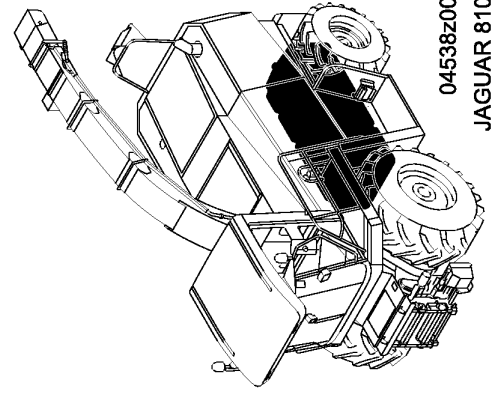
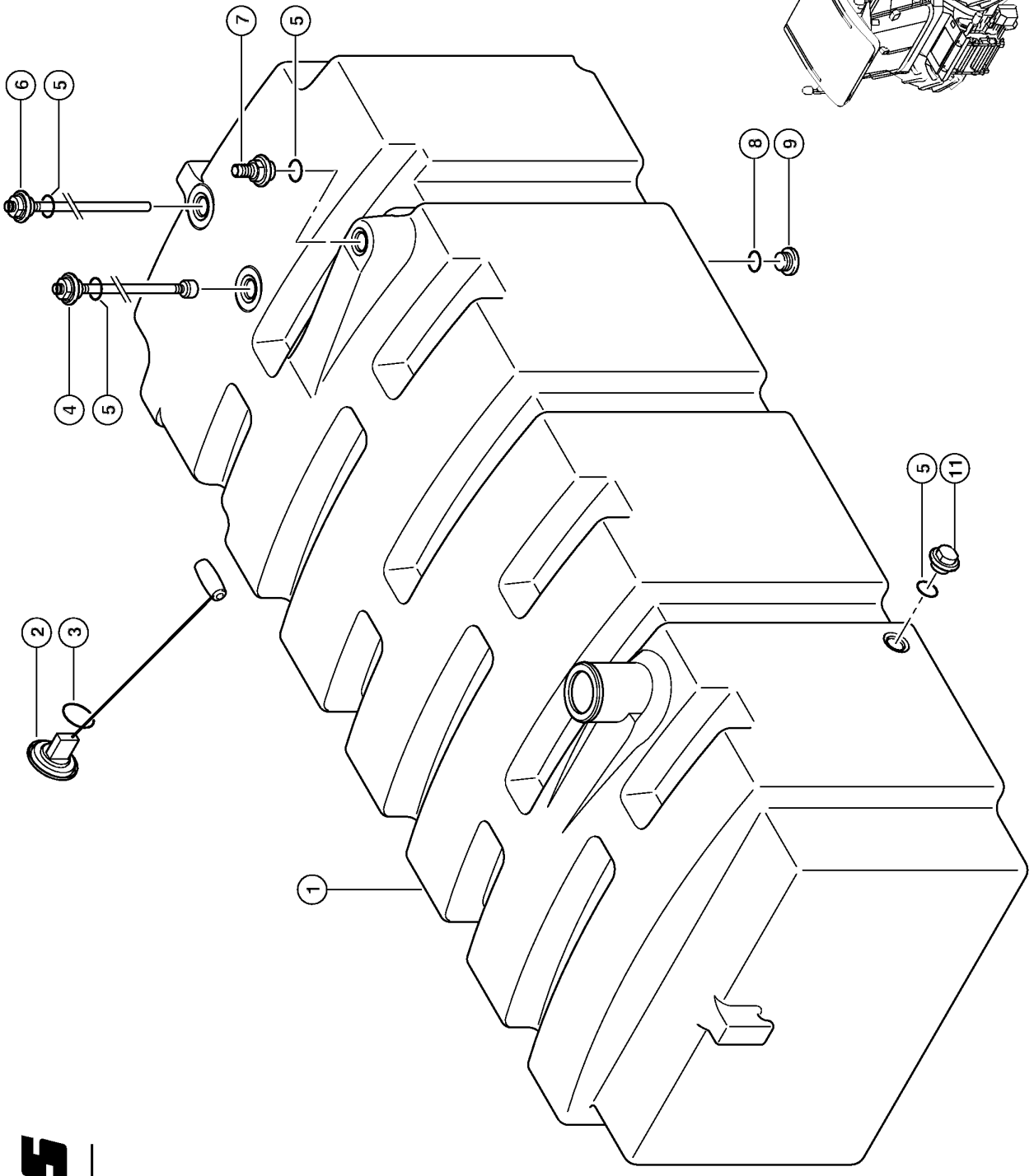
04537z00
JAGUAR 810

FUEL TANK, SUPPORT

Pos.	Part No.	Description	Dimension	Quantity	Conditions
1	00 0067 502 4	TANK BASE		1	
2	00 0242 389 0	HEXAGON HEAD BOLT	M14X100	4	
2	00 0239 391 0	CONTACT WASHER	A16	4	
2	00 0236 173 0	HEXAGONAL NUT	M16	4	
3	00 0242 398 0	HEXAGON HEAD BOLT	M16X200	4	
3	00 0236 173 0	HEXAGONAL NUT	M16	4	
3	00 0239 391 0	CONTACT WASHER	A16	4	

267A

CLAAS



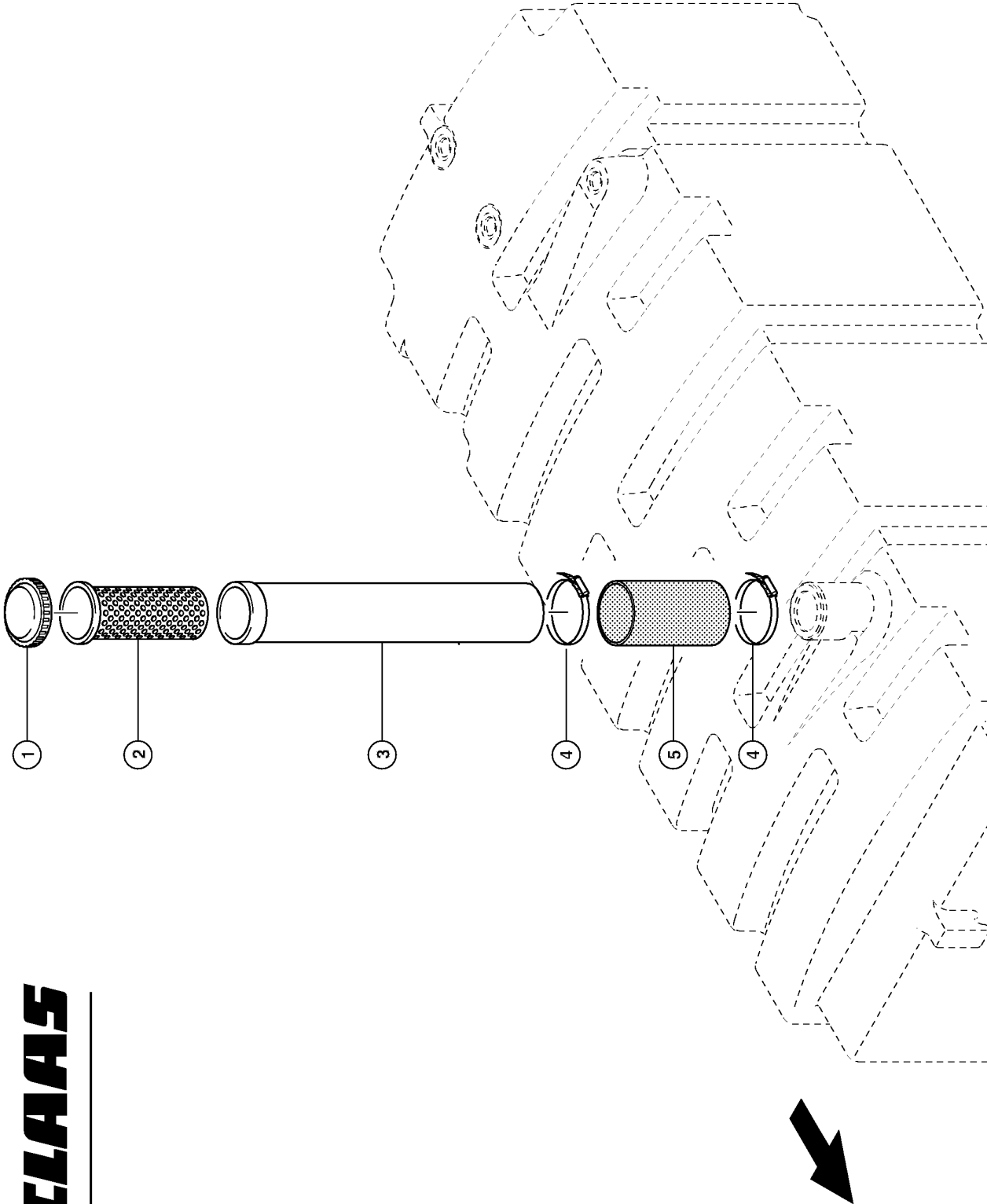
04538z00
JAGUAR 810

FUEL TANK

Pos.	Part No.	Description	Dimension	Quantity	Conditions
1	00 0140 450 0	FUEL TANK		1	
2	00 0014 165 0	LEVEL INDICATOR		1	1)
2	00 0076 149 1	LEVEL INDICATOR		1	2)
3	00 0212 574 0	O-RING	58 X4,0 -N	1	
4	00 0140 444 0	HOSE PIPE		1	
5	00 0216 987 0	O-RING	32,69X5,33 -N	4	
6	00 0140 443 0	HOSE PIPE		1	
7	00 0140 260 0	CHUTE		1	
8	00 0238 209 0	O-RING	17X2-N	1	
9	00 0244 342 0	SCREW PLUG	M18X1,5	1	
11	00 0140 257 0	LOCK		1	
1)	machine no.		+ from 49500146		
2)	machine no.		+ up to 49500145		

268A

04539z00
JAGUAR 810



CLAAS

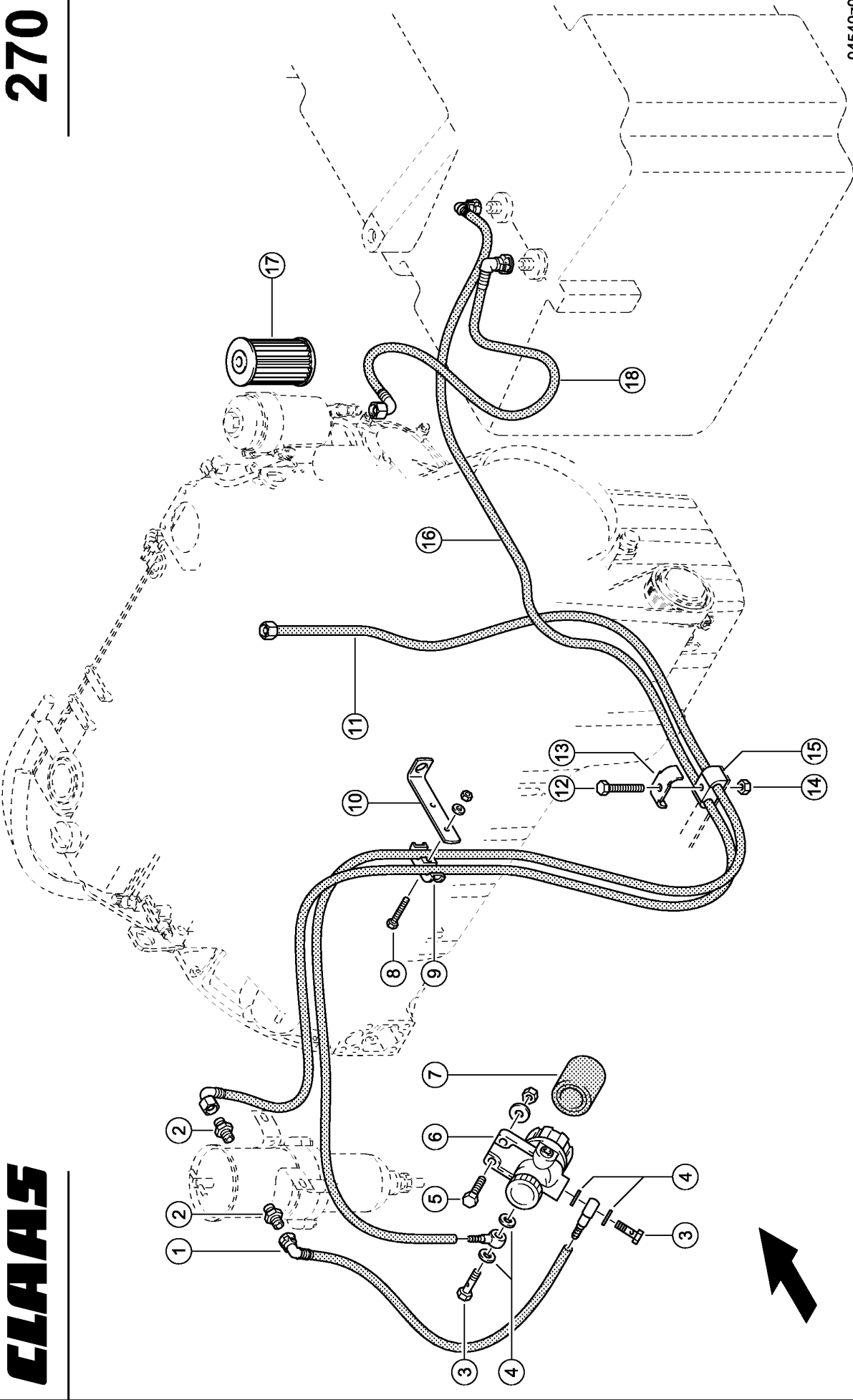
FUEL SYSTEM

Pos.	Part No.	Description	Dimension	Quantity	Conditions
1	00 0216 659 1	CAP	DV 80A GDBE	1	
2	00 0736 238 0	TANK FILTER		1	
3	00 0143 553 0	FILLING CHUTE		1	
4	00 0215 476 2	HOSE CLAMP	A - 100-120X12	2	
5	00 0067 804 0	HOSE	D102X6X185	1	

270

CLAAS

04540z00
JAGUAR 810



FUEL SYSTEM

Pos.	Part No.	Description	Dimension	Quantity	Conditions
1	00 0068 698 1	FUEL PIPE	12,5X1,25X610	1	
1	00 0215 562 0	CONNECTION	R16-10	1	
1	00 0205 206 0	TUBE	D12,5X1,25	1	1)
1	00 0142 279 0	TUBE NIPPLE	DN10 - N90 L12	1	
2	00 0216 365 0	SCREW-IN FITTING	(M18X1,5) SDS-L12XM22X1, 5-TYPE F	2	
3	00 0096 030 0	HOLLOW SCREW	12 - M16X1,5 (12-3 ZULÄS	2	
4	00 0235 786 0	SEALING RING	A16 X22	4	
5	00 0237 442 0	HEXAGON HEAD BOLT	M8X25	2	
5	00 0239 387 0	CONTACT WASHER	A8-8,2X18X1,4	2	
5	00 0236 170 0	HEXAGONAL NUT	M8	2	
6	00 0068 665 0	HAND PUMP	H11K06 M16X1,5	1	
7	00 0077 445 0	FILTER ELEMENT		1	
8	00 0237 442 0	HEXAGON HEAD BOLT	M8X25	1	
8	00 0239 387 0	CONTACT WASHER	A8-8,2X18X1,4	1	
8	00 0236 170 0	HEXAGONAL NUT	M8	1	
9	00 0723 501 0	DOUBLE CLAMP	B 12	1	
10	00 0625 072 1	SUPPORT	25X5X107	1	
11	00 0068 688 1	CONNECTION	M18X1,5-10	1	
11	00 0068 688 1	CONNECTION	M18X1,5-10	1	
11	00 0205 206 0	TUBE	D12,5X1,25	1	2)
11	00 0216 364 0	UNION NUT	BLL12	1	
11	00 0215 562 0	CONNECTION	R16-10	1	
12	00 0237 370 0	HEXAGON HEAD BOLT	M8X30	1	
12	00 0236 442 0	COACH BOLT	M 8X 30	2	
13	00 0683 254 0	CLAMP BRACKET	2X18X25X3	3	
14	00 0238 132 0	LOCK NUT	M8	3	
15	00 0697 807 0	RUBBER BEARING	12/12	3	
16	00 0090 217 1	FUEL PIPE	12,5X1,25X1870	1	
16	00 0142 279 0	TUBE NIPPLE	DN10 - N90 L12	2	
16	00 0205 206 0	TUBE	(M18X1,5) D12,5X1,25	1	3)
17	00 0068 709 0	FILTER ELEMENT		1	
18	00 0142 209 1	FUEL PIPE	12,5X1,25X1350	1	
18	00 0142 279 0	TUBE NIPPLE	DN10 - N90 L12	1	
18	00 0216 364 0	UNION NUT	(M18X1,5) BLL12	1	
18	00 0142 212 0	CONNECTION	M18X1,5-10/90GRAD	1	
18	00 0205 206 0	TUBE	D12,5X1,25	1	4)

1) Remarks 600 mm long

2) Remarks 2840 mm long

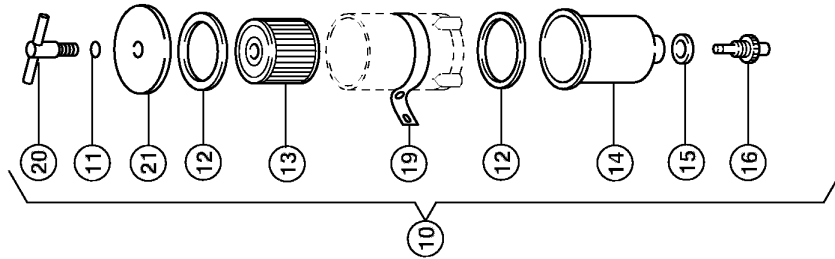
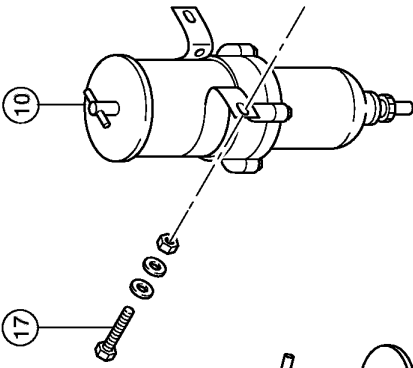
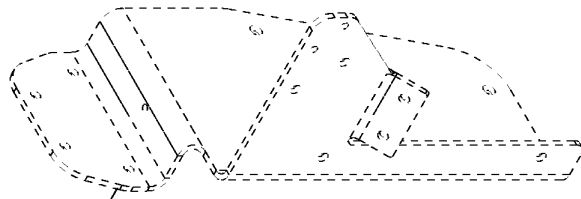
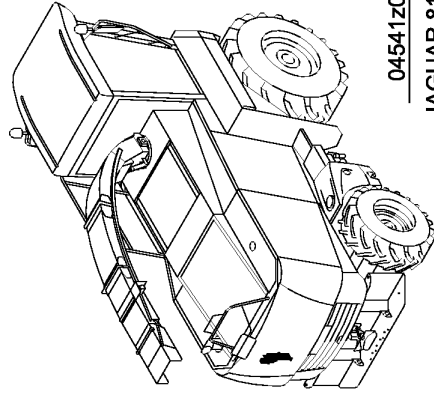
3) Remarks 1870 mm long

4) Remarks 1350 mm long

271

CLAAS

04541Z00
JAGUAR 810

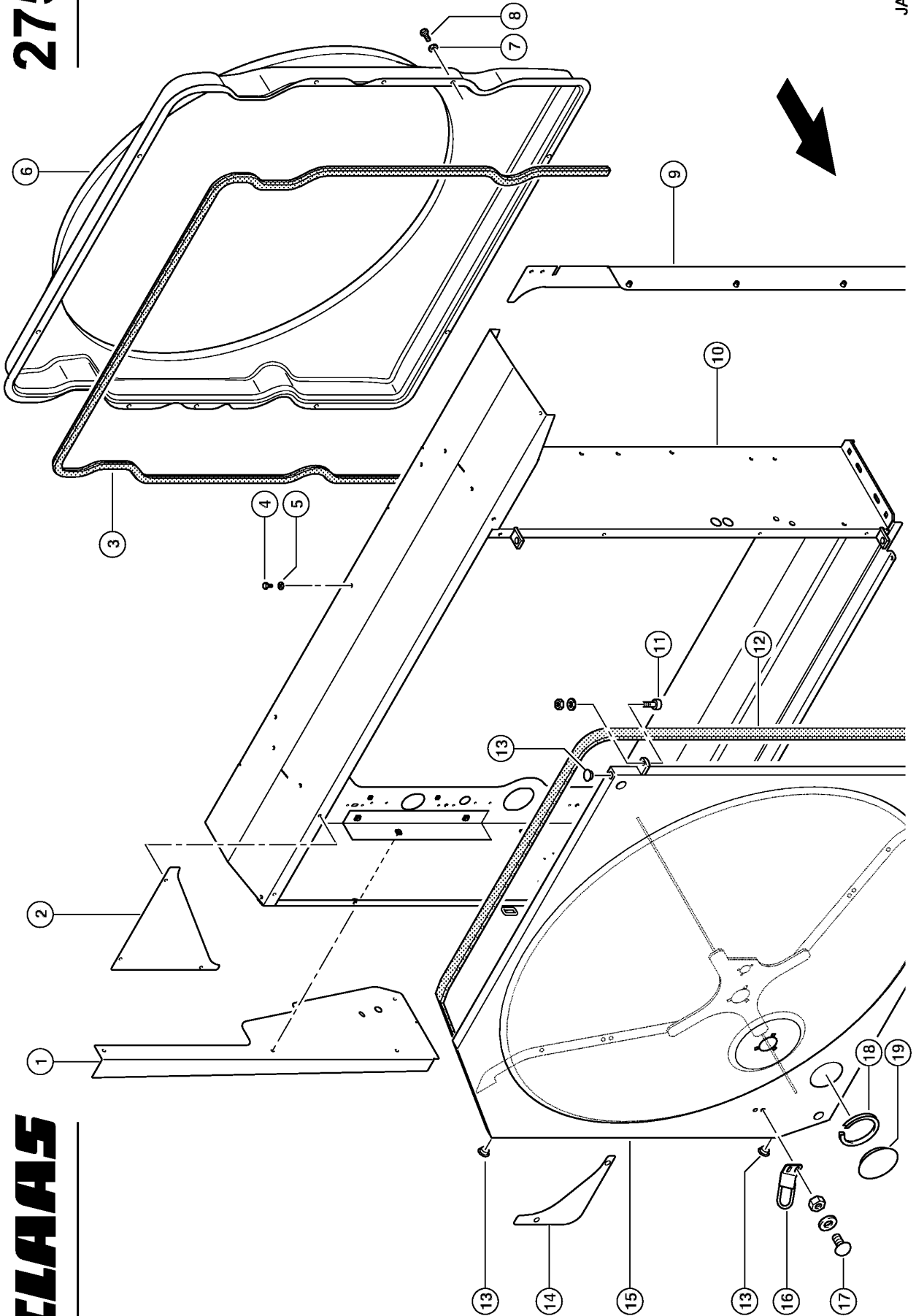


FUEL FILTER ASSEMBLIES

Pos.	Part No.	Description	Dimension	Quantity	Conditions
10	00 0068 664 1	SEPARATOR		1	
11	00 0211 091 2	O-RING	12 X 2 NBR 80	1	
12	00 0072 995 0	HOUSING GASKET		2	
13	00 0068 712 1	FUEL FILTER		1	1)
14	00 0072 996 1	WATER CONTAINER		1	2)
15	00 0723 694 1	GASKET	RACOR 500/900 FG	1	
16	00 0796 022 0	DRAIN VALVE		1	
17	00 0237 442 0	HEXAGON HEAD BOLT	M8X25	4	
17	00 0236 170 0	HEXAGONAL NUT	M8	4	
17	00 0239 393 1	CONTACT WASHER	B 8 -8.2X22X1,9	8	
19	00 0067 328 0	SUPPORT CPL.		1	
20	00 0796 024 0	WING SCREW		1	
21	00 0796 023 0	COVER		1	
1)	Remarks		30 Micro		
2)	Remarks		with items 15 and 16		

275A

04544z00
JAGUAR 810



CLAAS

MERCEDES OM 460 LA; COOLING SYSTEM

Pos.	Part No.	Description	Dimension	Quantity	Conditions
1	00 0090 929 0	GUARD PLATE	1,5X351,5X1139,1	1	
2	00 0090 958 0	JOINING PLATE	1X188X150	1	
3	00 0205 686 0	SEALING PROFILE	CL WIDT 1,5-3(50 METERS	1	1)
4	00 0237 439 0	HEXAGON HEAD BOLT	M8X16	4	
5	00 0239 387 0	CONTACT WASHER	A8-8,2X18X1,4	4	
6	00 0142 227 0	WIND GUIDE HOOD	OM460LA	1	
7	00 0239 392 0	CONTACT WASHER	JAG.851/831 B 6 -6X18X1,4	10	
8	00 0237 464 0	HEXAGON HEAD BOLT	M06X12	10	
9	00 0067 955 4	LEDGE	225X2X1405	1	
9	00 0216 267 0	BLIND RIVET.NUT	M 8X18-SW11-KL=0,5-3,0	7	
10	00 0090 911 4	RADIATOR FRAME		1	
11	00 0235 495 1	SOCKET HEAD SCREW	M10X 25	2	
11	00 0239 388 0	CONTACT WASHER	A10-10,2X22,25X1,6	2	
11	00 0236 171 0	HEXAGONAL NUT	M10	2	
12	00 0136 517 1	SEAL STRIP	5000 LANG	1	2)
13	00 0215 104 1	PLUG	D18,4-F	7	
14	00 0090 958 0	JOINING PLATE	1X188X150	1	
15	00 0090 200 2	RADIATOR SCREEN		1	
16	00 0090 156 0	BRACKET		1	
17	00 0237 442 0	HEXAGON HEAD BOLT	M8X25	2	
17	00 0239 387 0	CONTACT WASHER	A8-8,2X18X1,4	2	
17	00 0236 170 0	HEXAGONAL NUT	M8	1	
18	00 0136 503 0	EDGE PROTECTOR	25000 LG	1	3)
19	00 0239 425 0	CONE PLUG	89-91,5 GPN 600	1	

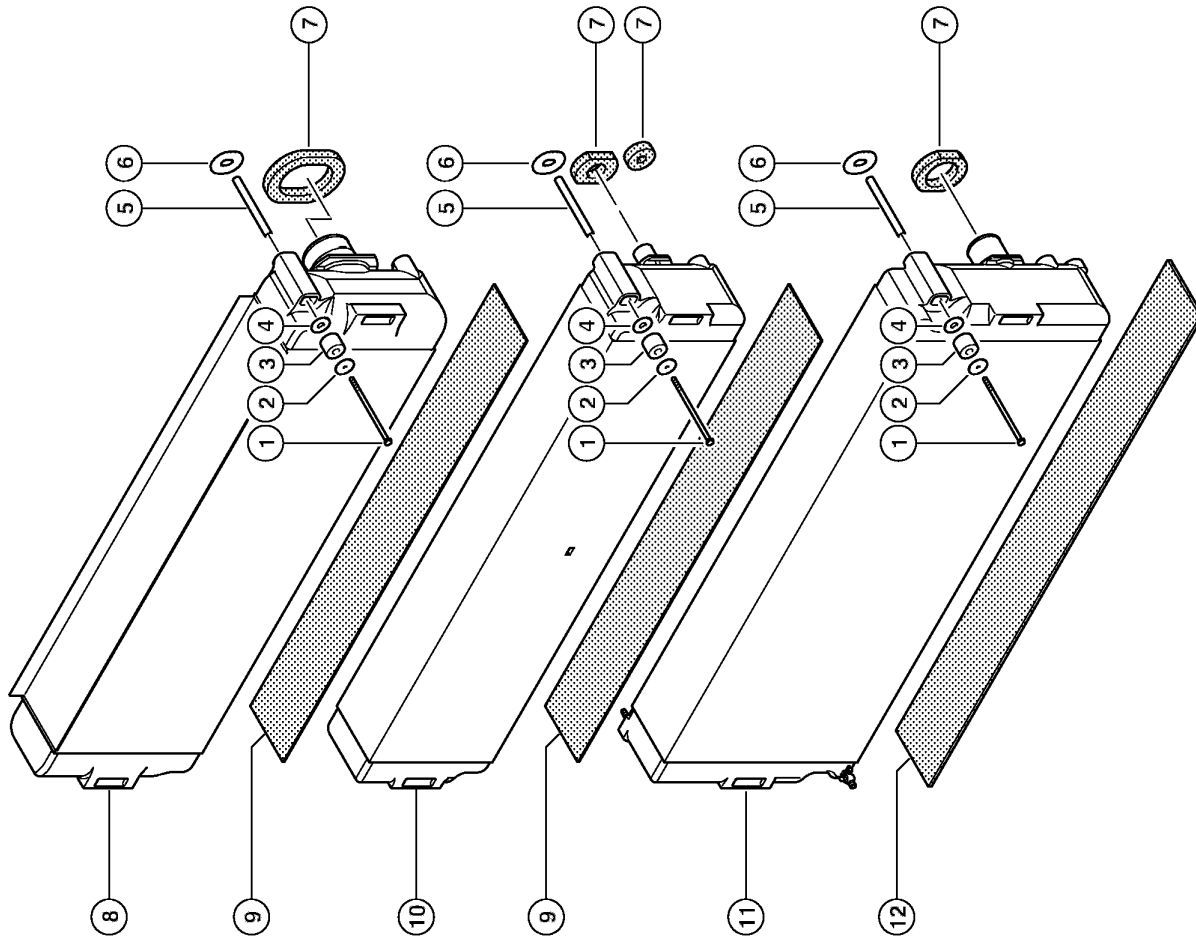
1) Remarks 3710 long

2) Remarks 5500 long

3) Remarks 100 long

278B

04557z00
JAGUAR 810



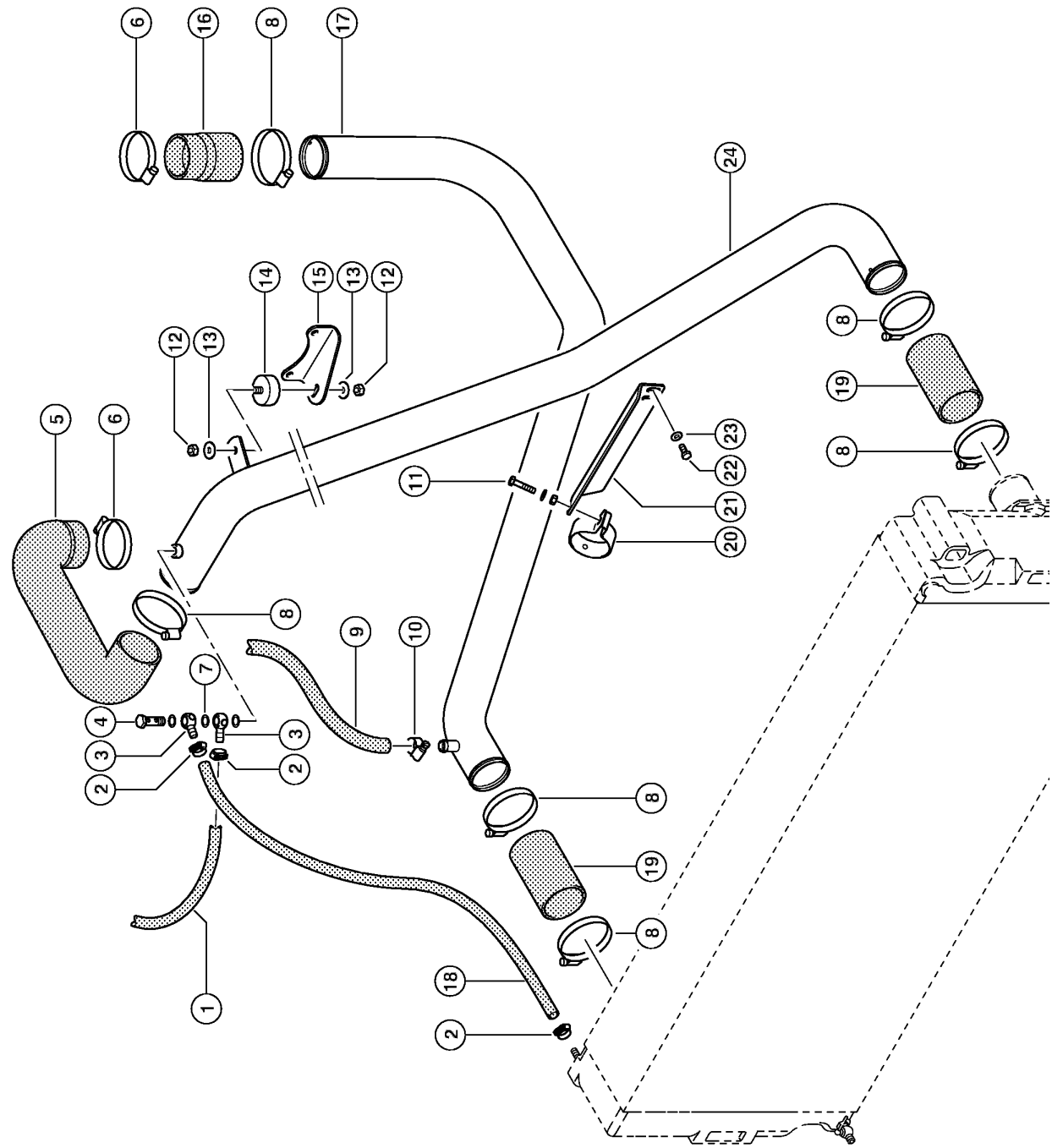
CLAAS



MERCEDES OM 460 LA; COOLING SYSTEM

Pos.	Part No.	Description	Dimension	Quantity	Conditions
1	00 0215 283 0	HEXAGON HEAD BOLT	M 8X180	6	
2	00 0236 829 0	WASHER	8,5X40X3	6	
3	00 0142 026 0	RUBBER SPRING	D40X40	6	
4	00 0238 011 0	WASHER	16,5X40X3	6	
5	00 0142 090 0	SPACER SLEEVE	D15X3X157	6	
6	00 0142 027 0	WASHER	72X60X3	12	
7	00 0142 019 1	RADIATOR SEAL		1	
8	00 0142 073 1	CHARG.AIR RADIAT.	OM460LA	1	
9	00 0142 024 0	RUBBER STRIP	JAG.851/831 160X1200X4	2	
10	00 0142 225 2	OIL COOLER	OM460/502LA	1	
11	00 0142 070 1	RADIATOR	JAG.851.891 OM460LA	1	
12	00 0142 025 0	RUBBER STRIP	JAG.851/831 160X1340X8	1	

282A



04545Z00
JAGUAR 810

CLAAS



Thank you so much for reading.
Please click the “Buy Now!”
button below to download the
complete manual.



After you pay.

You can download the most
perfect and complete manual in
the world immediately.

Our support email:

ebooklibonline@outlook.com