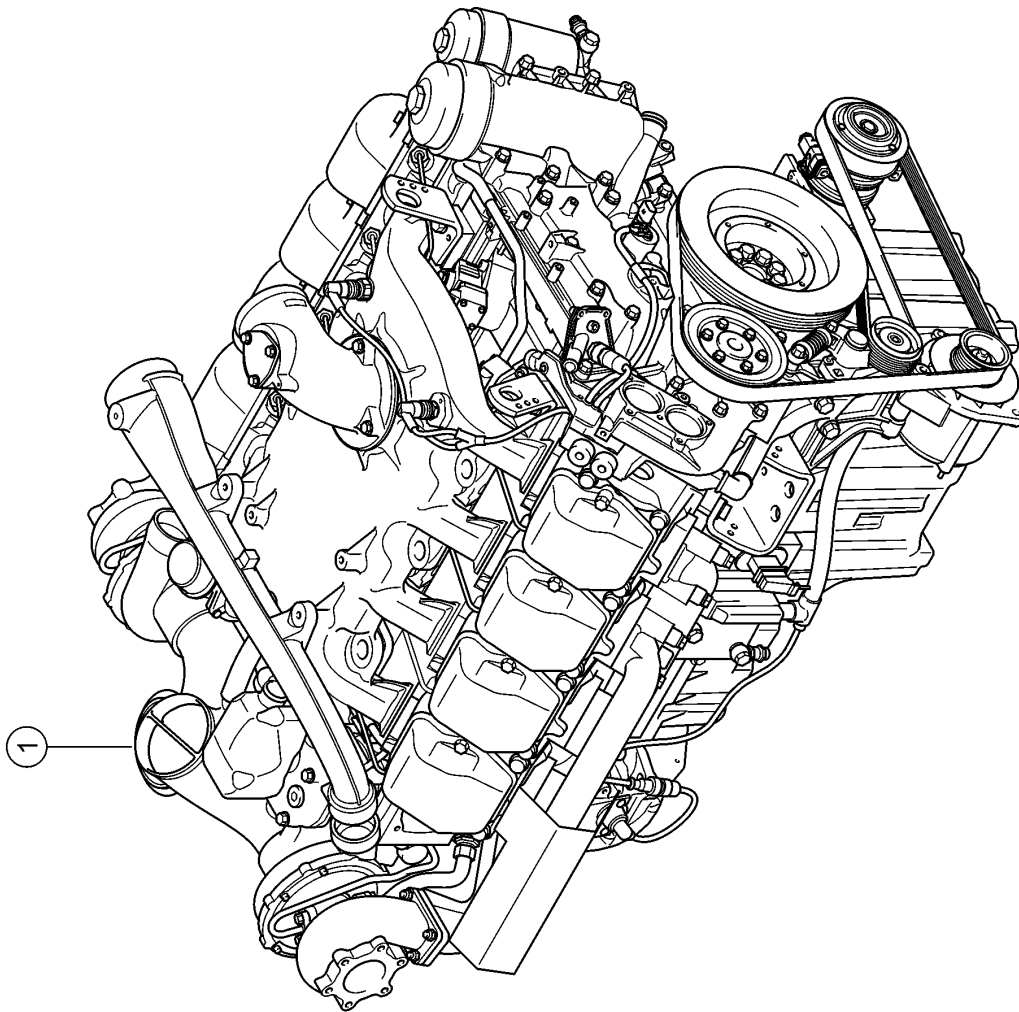


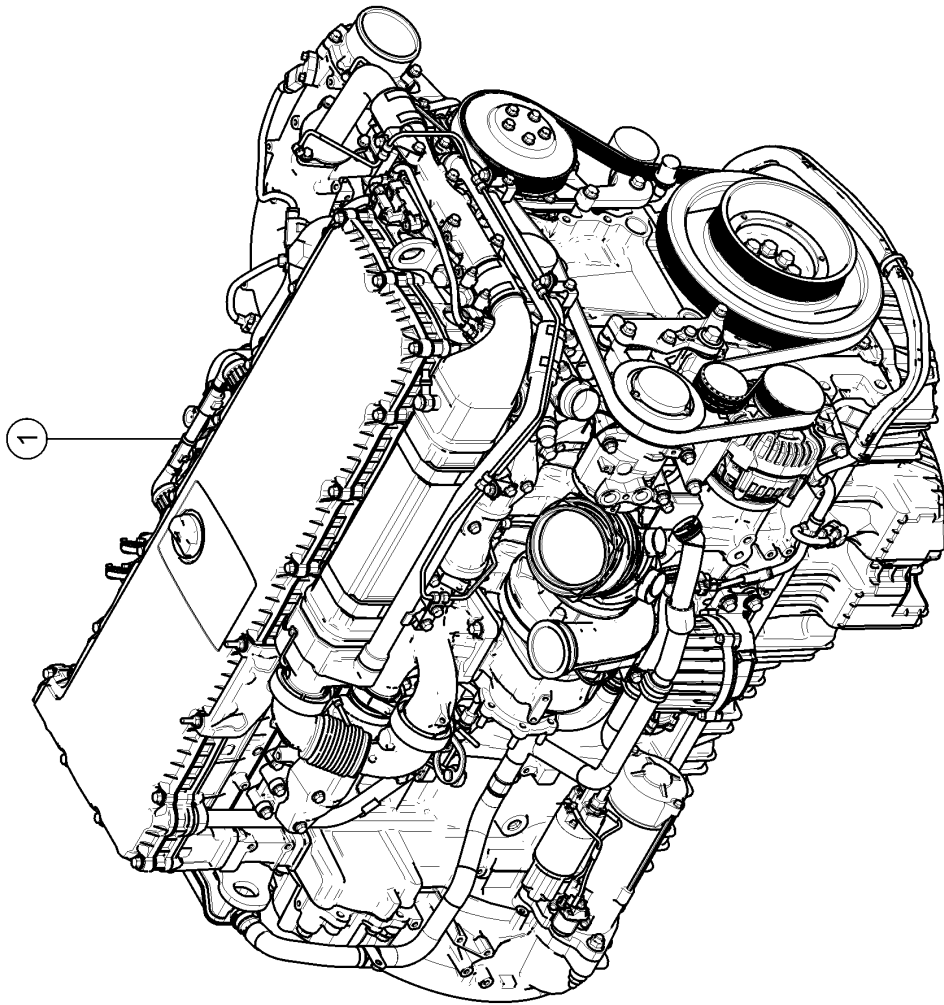
**010 COMPLETE ENGINE 1)**

Pos.	Part No.	Description	Dimension	Quantity	Conditions
1	<b>00 0126 560 1</b>	ENGINE	OM460LA 220KW	1	2)
1	<b>00 0126 561 1</b>	ENGINE	OM460LA 260KW	1	3)
1	<b>00 0126 562 1</b>	ENGINE	OM460LA 315KW	1	4)
<b>1)</b>	<b>Equipment</b>	SH_P02_0500	OM460, ECE R120, 220 kW/299 hp, Stage IIIA/Tier 3		
		SH_P02_0510	OM460, ECE R120, 260 kW/354 hp, Stage IIIA/Tier 3		
		SH_P02_0520	OM460, ECE R120, 315 kW/428 hp, Stage IIIA/Tier 3		
<b>2)</b>	<b>Equipment</b>	SH_P02_0500	OM460, ECE R120, 220 kW/299 hp, Stage IIIA/Tier 3		
<b>3)</b>	<b>Equipment</b>	SH_P02_0510	OM460, ECE R120, 260 kW/354 hp, Stage IIIA/Tier 3		
<b>4)</b>	<b>Equipment</b>	SH_P02_0520	OM460, ECE R120, 315 kW/428 hp, Stage IIIA/Tier 3		



**010 COMPLETE ENGINE 1)**

Pos.	Part No.	Description	Dimension	Quantity	Conditions
1	<b>00 2402 557 0</b>	ENGINE	OM502LA T3 390KW SE	1	2)
1	<b>00 2402 556 0</b>	ENGINE	OM502LA T3 350KW SE	1	3)
1	<b>00 0126 563 1</b>	ENGINE	OM502LA T3 350KW	1	3)
1	<b>00 2664 561 0</b>	ENGINE	OM502LA T3 350KW SE	1	3)
<hr/>					
<b>1)</b>	<b>Equipment</b>				
		SH_P02_0525	OM502, ECE R120, 350 kW/476 hp, Stage IIIA/Tier 3		
		SH_P02_0530	OM502 ECE R120 390 KW/530 hp, Stage IIIA/Tier 3		
<hr/>					
<b>2)</b>	<b>Equipment</b>				
		SH_P02_0525	OM502, ECE R120, 350 kW/476 hp, Stage IIIA/Tier 3		
<hr/>					
<b>3)</b>	<b>Equipment</b>				
		SH_P02_0530	OM502 ECE R120 390 KW/530 hp, Stage IIIA/Tier 3		



**010 COMPLETE ENGINE 1)**

Pos.	Part No.	Description	Dimension	Quantity	Conditions
1	<b>00 0123 709 3</b>	ENGINE	OM470LA 300KW TIER4F	1	2)
1	<b>00 2694 191 0</b>	ENGINE	OM470LA - 300KW T4	1	2)
1	<b>00 2402 550 1</b>	ENGINE	OM470 K2 300KW E5 JAGUAR	1	3)
1	<b>00 2642 517 0</b>	ENGINE	OM470LA - 300KW E4	1	4)
1	<b>00 2712 265 0</b>	ENGINE	SE OM470LA - 300KW C4	1	5)

**1) Equipment**

SH_P02_0600	MB S6-cyl. OM 470 LA, 300 kW/408 hp, ECE R 120
SH_P02_0660	MB S6-cyl. OM 470 LA, 300 kW/408 hp, ECE R 120
SH_P02_0661	0661_OM470 K R120-300 C4
SH_P02_1600	MB S6-cyl. OM 470 LA, 300 kW/408 hp, ECE R 120

**2) Equipment**

SH_P02_0600	MB S6-cyl. OM 470 LA, 300 kW/408 hp, ECE R 120
-------------	--

**3) Equipment**

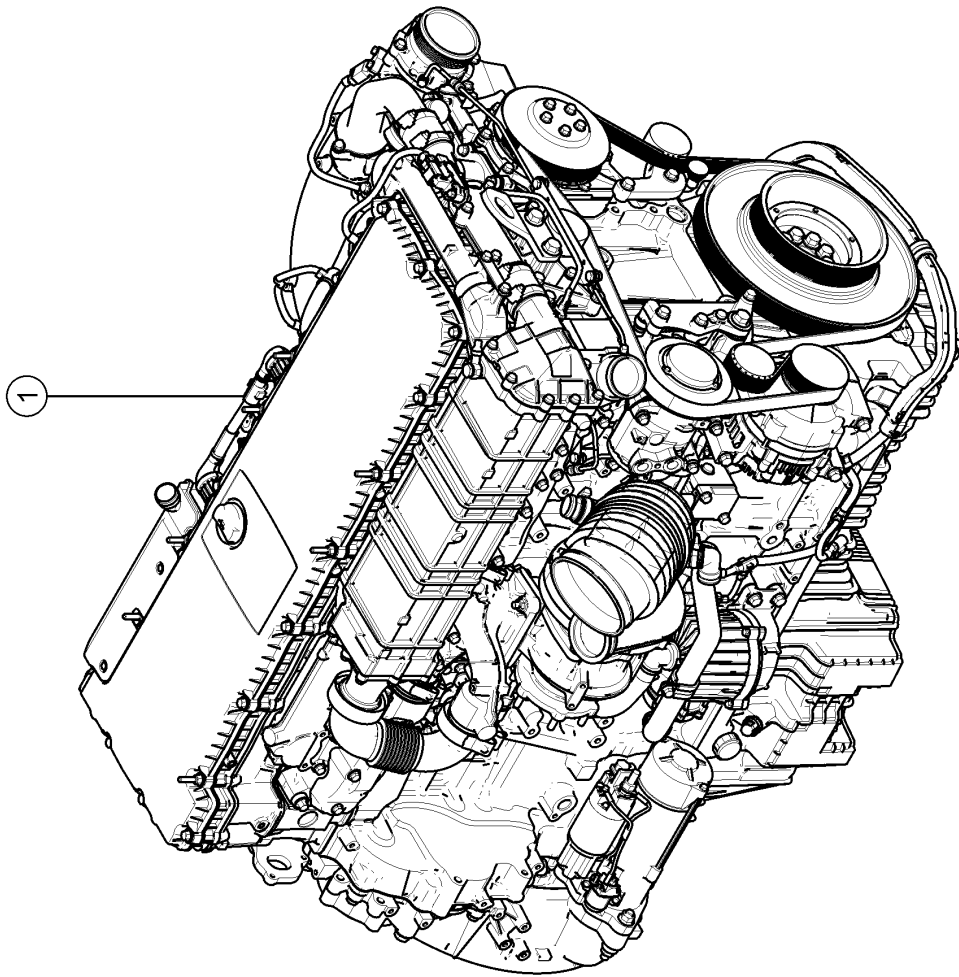
SH_P02_0660	MB S6-cyl. OM 470 LA, 300 kW/408 hp, ECE R 120
-------------	--

**4) Equipment**

SH_P02_1600	MB S6-cyl. OM 470 LA, 300 kW/408 hp, ECE R 120
-------------	--

**5) Equipment**

SH_P02_0661	0661_OM470 K R120-300 C4
-------------	--------------------------



**010 COMPLETE ENGINE 1)**

Pos.	Part No.	Description	Dimension	Quantity	Conditions
1	<b>00 0123 720 4</b>	ENGINE	OM471LA 340KW TIER4F	1	2)
1	<b>00 0123 708 4</b>	ENGINE	OM471LA 380KW TIER4F	1	3)
1	<b>00 2642 518 0</b>	ENGINE	OM471LA - 340KW E4 SE	1	4)
1	<b>00 2642 519 0</b>	ENGINE	OM471LA - 380KW E4 SE	1	5)
1	<b>00 2402 551 1</b>	ENGINE	OM471 K2 340KW E5 JAGUAR	1	6)
1	<b>00 2402 552 1</b>	ENGINE	OM471 K2 390KW E5 JAGUAR	1	7)
1	<b>00 2694 192 0</b>	ENGINE	OM471LA - 340KW T4	1	2)
1	<b>00 2694 193 0</b>	ENGINE	OM471LA - 380KW T4	1	3)
1	<b>00 2712 267 0</b>	ENGINE	OM471LA - 340KW C4	1	8)
1	<b>00 2712 268 0</b>	ENGINE	OM471LA - 390KW C4	1	9)

**1) Equipment**

SH_P02_0610	MB S6-cyl. OM 471 LA, 340 kW/462 hp, ECE R 120
SH_P02_0620	MB S6-cyl. OM 471 LA, 380 kW/516 hp, ECE R 120
SH_P02_0670	MB S6-cyl. OM 471 LA, 340 kW/462 hp, ECE R 120
SH_P02_0671	0671_OM471 K R120-340 C4
SH_P02_0675	MB S6-cyl. OM 471 LA, 390 kW/530 hp, ECE R 120
SH_P02_0676	0676_OM471 K R120-390 C4
SH_P02_1610	MB S6-cyl. OM 471 LA, 340 kW/462 hp, ECE R 120
SH_P02_1620	MB S6-cyl. OM 471 LA, 380 kW/516 hp, ECE R 120

**2) Equipment**

SH_P02_0610	MB S6-cyl. OM 471 LA, 340 kW/462 hp, ECE R 120
-------------	--

**3) Equipment**

SH_P02_0620	MB S6-cyl. OM 471 LA, 380 kW/516 hp, ECE R 120
-------------	--

**4) Equipment**

SH_P02_1610	MB S6-cyl. OM 471 LA, 340 kW/462 hp, ECE R 120
-------------	--

**5) Equipment**

SH_P02_1620	MB S6-cyl. OM 471 LA, 380 kW/516 hp, ECE R 120
-------------	--

**6) Equipment**

SH_P02_0670	MB S6-cyl. OM 471 LA, 340 kW/462 hp, ECE R 120
-------------	--

**7) Equipment**

SH_P02_0675	MB S6-cyl. OM 471 LA, 390 kW/530 hp, ECE R 120
-------------	--

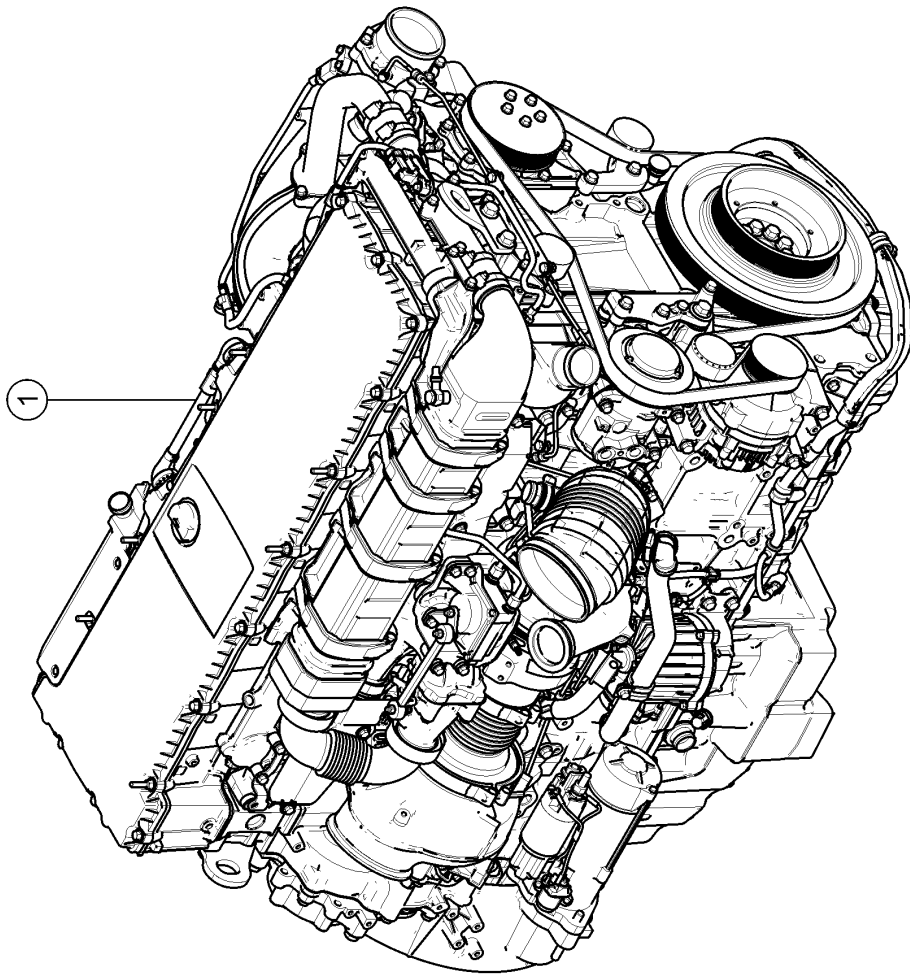
**8) Equipment**

SH_P02_0671	0671_OM471 K R120-340 C4
-------------	--------------------------

**9) Equipment**

SH_P02_0676	0676_OM471 K R120-390 C4
-------------	--------------------------





**010 COMPLETE ENGINE 1)**

Pos.	Part No.	Description	Dimension	Quantity	Conditions
1	<b>00 0123 707 4</b>	ENGINE	OM473LA 460KW TIER4F	1	2)
1	<b>00 0123 721 4</b>	ENGINE	OM473LA 430KW TIER4F	1	3)
1	<b>00 2642 520 0</b>	ENGINE	OM473LA - 430KW E4 SE	1	4)
1	<b>00 2642 521 0</b>	ENGINE	OM473LA - 460KW E4 SE	1	5)
1	<b>00 2402 553 1</b>	ENGINE	OM473 K2 430KW E5 JAGUAR	1	6)
1	<b>00 2402 554 1</b>	ENGINE	OM473 K2 480KW E5 JAGUAR	1	7)
1	<b>00 2694 194 0</b>	ENGINE	OM473LA - 430KW T4	1	3)
1	<b>00 2694 195 0</b>	ENGINE	OM473LA - 460KW T4	1	2)
1	<b>00 1986 273 0</b>	ENGINE	REMAN OM 473 LA 480KW E5	1	7)
1	<b>00 2712 269 0</b>	ENGINE	OM473LA - 430KW C4	1	8)
1	<b>00 2712 270 0</b>	ENGINE	OM473LA - 480KW C4	1	9)

**1) Equipment**

SH_P02_0630	MB S6-cyl. OM 473 LA, 430 kW/585 hp, ECE R 120
SH_P02_0640	MB S6-cyl. OM 473 LA, 460 kW/626 hp, ECE R 120
SH_P02_0680	MB S6-cyl. OM 473 LA, 430 kW/585 hp, ECE R 120
SH_P02_0681	0681_OM473 K R120-430 C4
SH_P02_0685	MB S6-cyl. OM 473 LA, 480 kW/653 hp, ECE R 120
SH_P02_0686	0686_OM473 K R120-480 C4
SH_P02_1630	MB S6-cyl. OM 473 LA, 430 kW/585 hp, ECE R 120
SH_P02_1640	MB S6-cyl. OM 473 LA, 460 kW/626 hp, ECE R 120

**2) Equipment**

SH_P02_0640	MB S6-cyl. OM 473 LA, 460 kW/626 hp, ECE R 120
-------------	--

**3) Equipment**

SH_P02_0630	MB S6-cyl. OM 473 LA, 430 kW/585 hp, ECE R 120
-------------	--

**4) Equipment**

SH_P02_1630	MB S6-cyl. OM 473 LA, 430 kW/585 hp, ECE R 120
-------------	--

**5) Equipment**

SH_P02_1640	MB S6-cyl. OM 473 LA, 460 kW/626 hp, ECE R 120
-------------	--

**6) Equipment**

SH_P02_0680	MB S6-cyl. OM 473 LA, 430 kW/585 hp, ECE R 120
-------------	--

**7) Equipment**

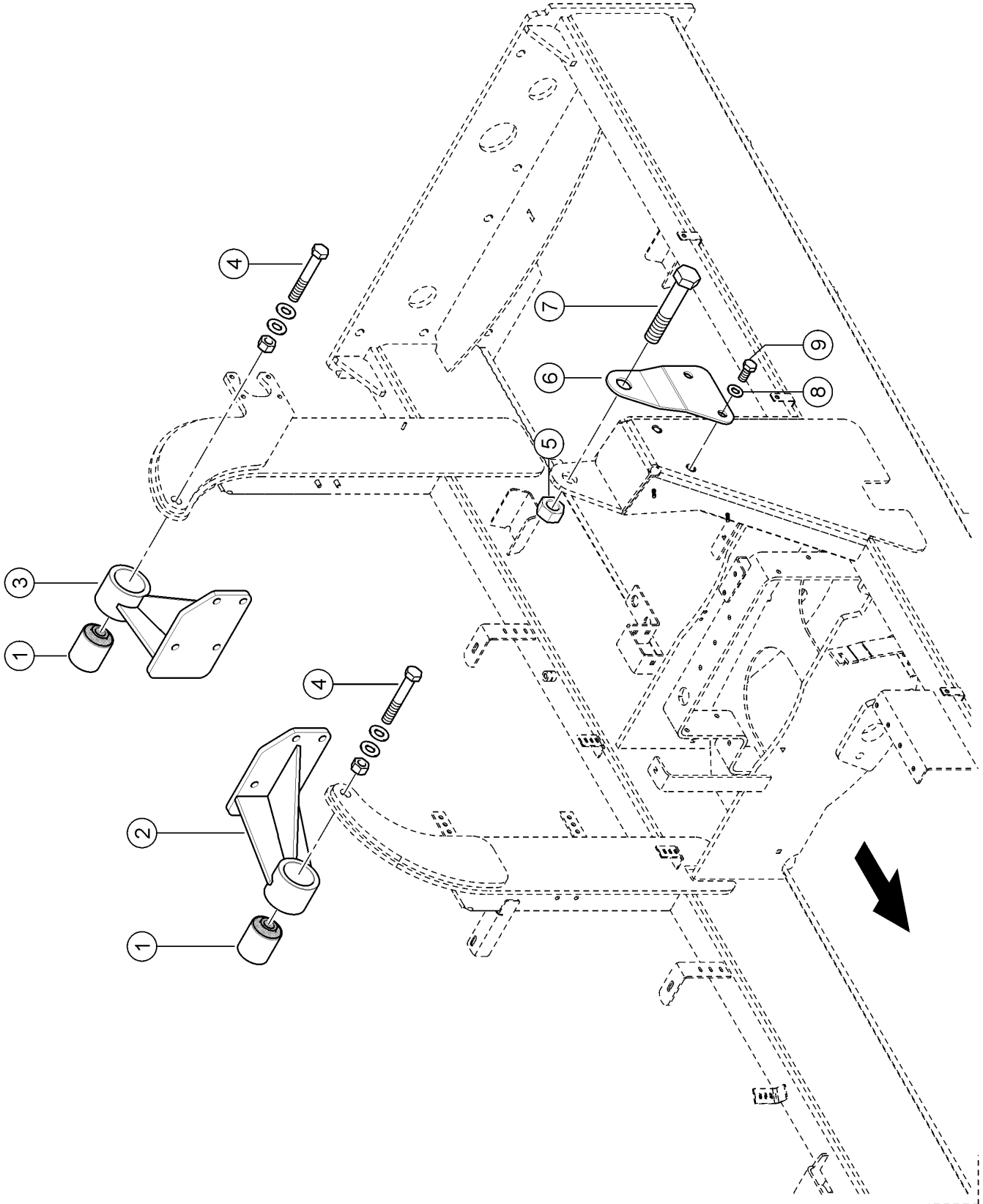
SH_P02_0685	MB S6-cyl. OM 473 LA, 480 kW/653 hp, ECE R 120
-------------	--

**8) Equipment**

SH_P02_0681	0681_OM473 K R120-430 C4
-------------	--------------------------

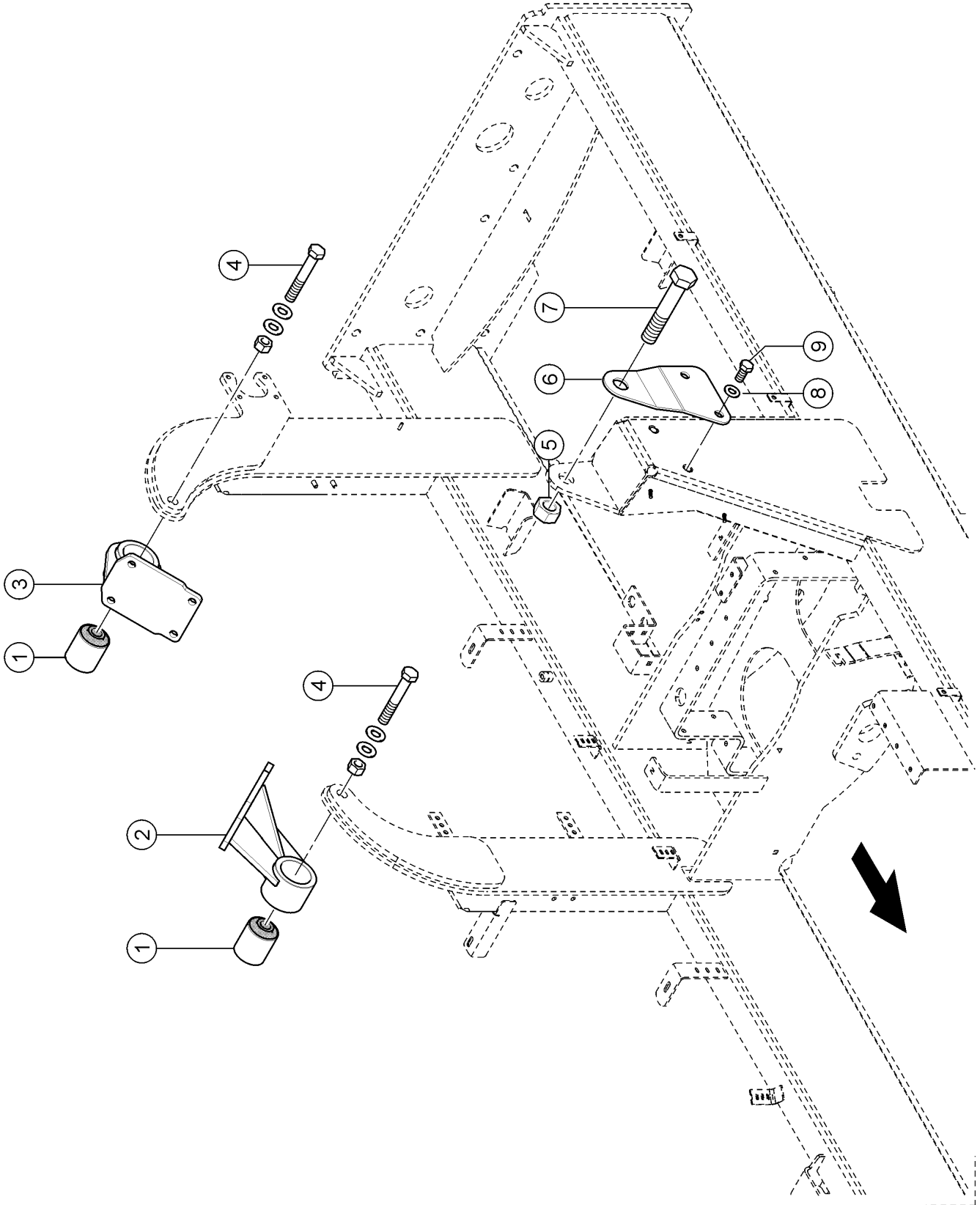
**9) Equipment**

SH_P02_0686	0686_OM473 K R120-480 C4
-------------	--------------------------



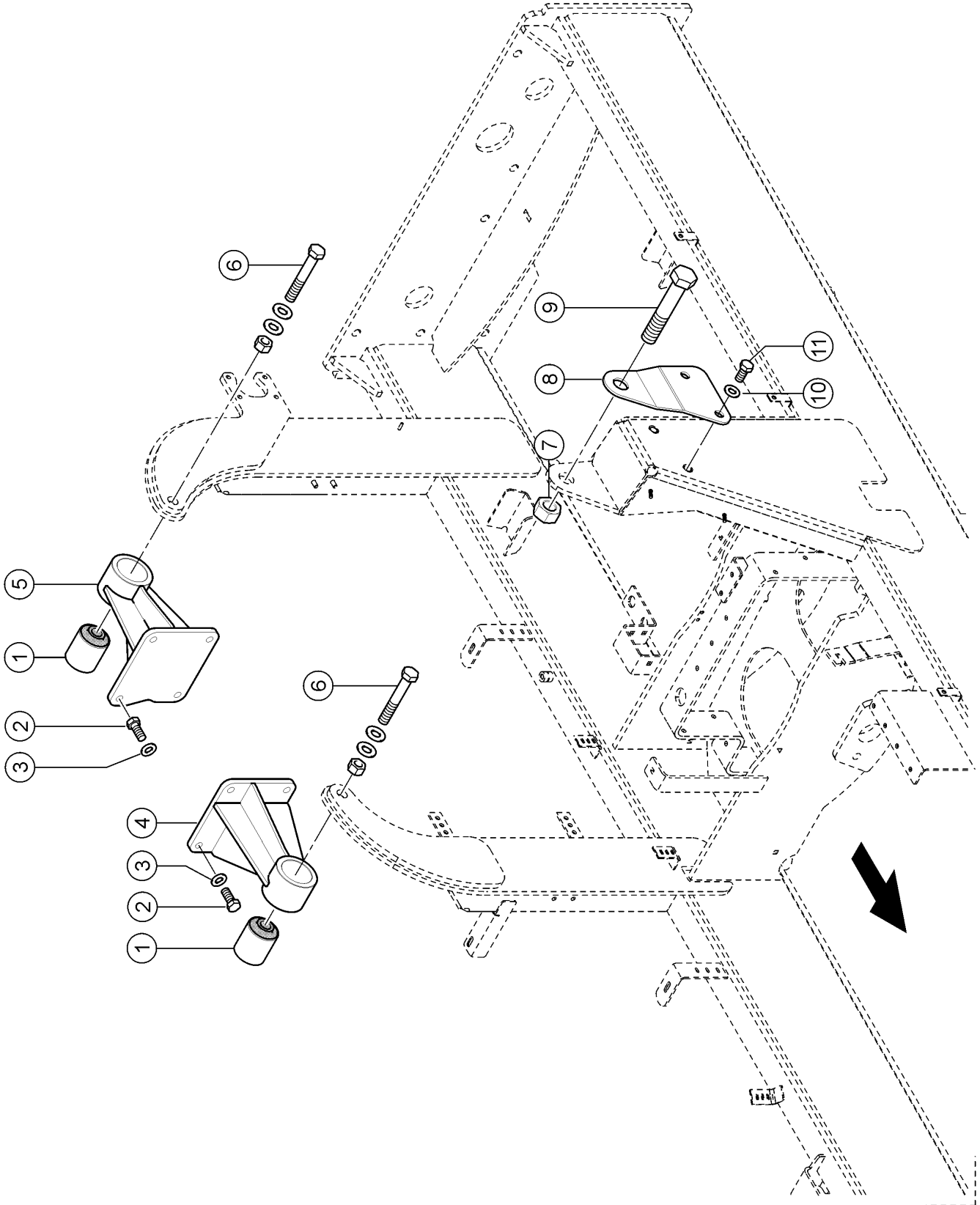
**100 ENGINE SUSPENSION 1)**

Pos.	Part No.	Description	Dimension	Quantity	Conditions
1	<b>00 0090 330 0</b>	MEGU BUSHING	22X65X89,5	2	
2	<b>00 0124 035 1</b>	ENGINE SUPPORT	OM 460 LA	1	2)
3	<b>00 0124 040 1</b>	ENGINE SUPPORT	OM 460 LA	1	2)
4	<b>00 0237 830 0</b>	HEXAGON HEAD BOLT	M20X140	2	
4	<b>00 0212 191 0</b>	CONTACT WASHER	A20	4	
4	<b>00 0234 368 0</b>	WASHER	21X40X4	2	
4	<b>00 0237 521 0</b>	HEX.NUT	M20	2	
5	<b>00 0211 242 0</b>	HEXAGONAL NUT	M30	1	
6	<b>00 0143 105 1</b>	SUPPORT	6X198X250	1	
7	<b>00 0211 241 0</b>	HEXAGON HEAD BOLT	M30X170	1	
8	<b>00 0239 391 0</b>	CONTACT WASHER	A16	2	
9	<b>00 0238 662 1</b>	HEXAGON HEAD BOLT	M16X45	2	
<b>1)</b>	<b>Equipment</b>	SH_P02_0500 SH_P02_0510 SH_P02_0520	OM460, ECE R120, 220 kW/299 hp, Stage IIIA/Tier 3 OM460, ECE R120, 260 kW/354 hp, Stage IIIA/Tier 3 OM460, ECE R120, 315 kW/428 hp, Stage IIIA/Tier 3		
<b>2)</b>	<b>Remarks</b>		with Item 1		



**100 ENGINE SUSPENSION 1)**

Pos.	Part No.	Description	Dimension	Quantity	Conditions
1	<b>00 0090 330 0</b>	MEGU BUSHING	22X65X89,5	2	
2	<b>00 0124 044 1</b>	ENGINE SUPPORT	OM 502 LA	1	2)
3	<b>00 0124 049 1</b>	ENGINE SUPPORT	OM 502 LA	1	2)
4	<b>00 0237 830 0</b>	HEXAGON HEAD BOLT	M20X140	2	
4	<b>00 0212 191 0</b>	CONTACT WASHER	A20	4	
4	<b>00 0234 368 0</b>	WASHER	21X40X4	2	
4	<b>00 0237 521 0</b>	HEX.NUT	M20	2	
5	<b>00 0211 242 0</b>	HEXAGONAL NUT	M30	1	
6	<b>00 0143 105 1</b>	SUPPORT	6X198X250	1	
7	<b>00 0211 241 0</b>	HEXAGON HEAD BOLT	M30X170	1	
8	<b>00 0239 391 0</b>	CONTACT WASHER	A16	2	
9	<b>00 0238 662 1</b>	HEXAGON HEAD BOLT	M16X45	2	
<b>1)</b>	<b>Equipment</b>	SH_P02_0525 SH_P02_0530	OM502, ECE R120, 350 kW/476 hp, Stage IIIA/Tier 3 OM502 ECE R120 390 KW/530 hp, Stage IIIA/Tier 3		
<b>2)</b>	<b>Remarks</b>		with Item 1		



Thank you so much for reading.  
Please click the “Buy Now!”  
button below to download the  
complete manual.



After you pay.

You can download the most  
perfect and complete manual in  
the world immediately.

Our support email:

[ebooklibonline@outlook.com](mailto:ebooklibonline@outlook.com)