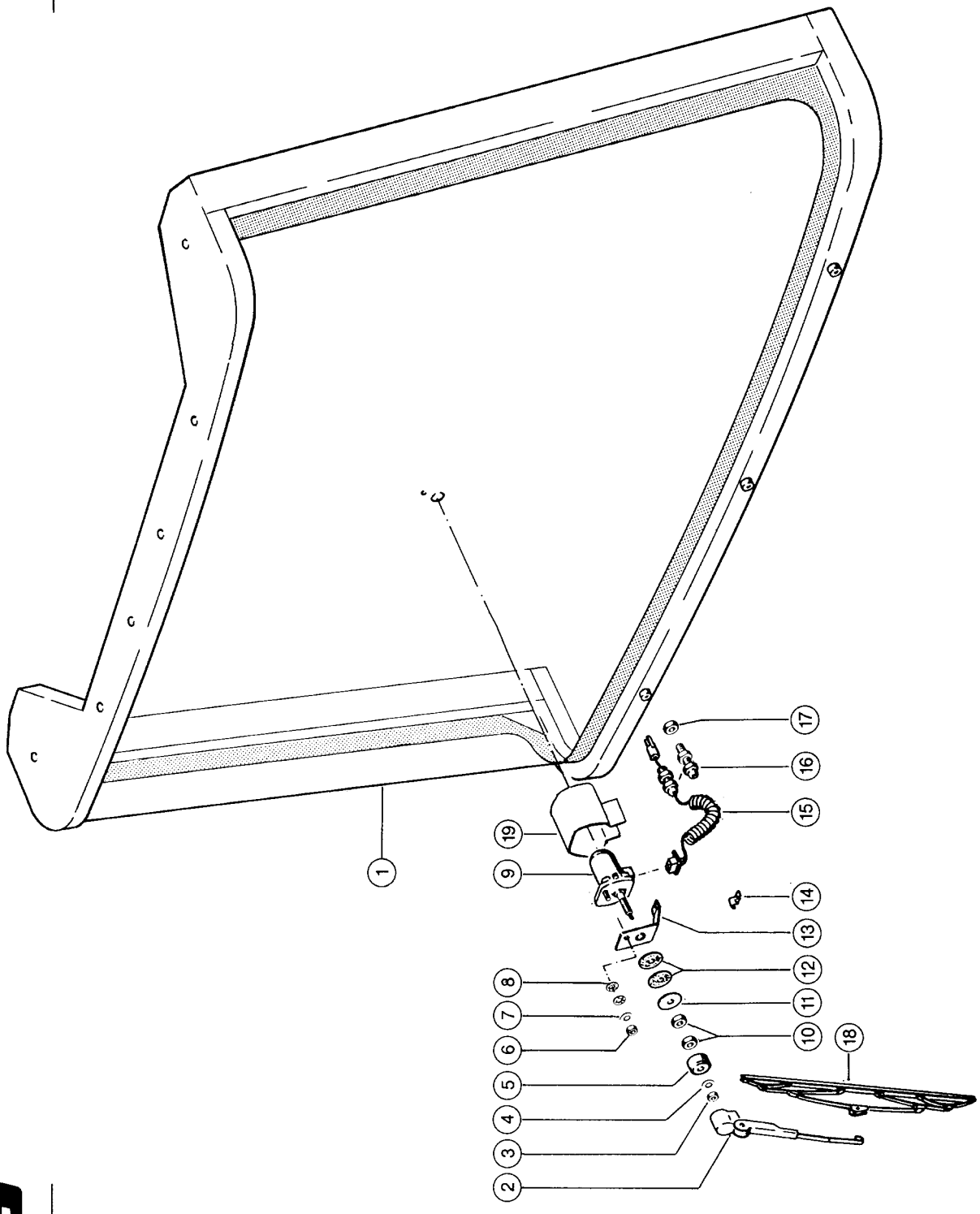


1

Jaguar 880/860



CLHHS



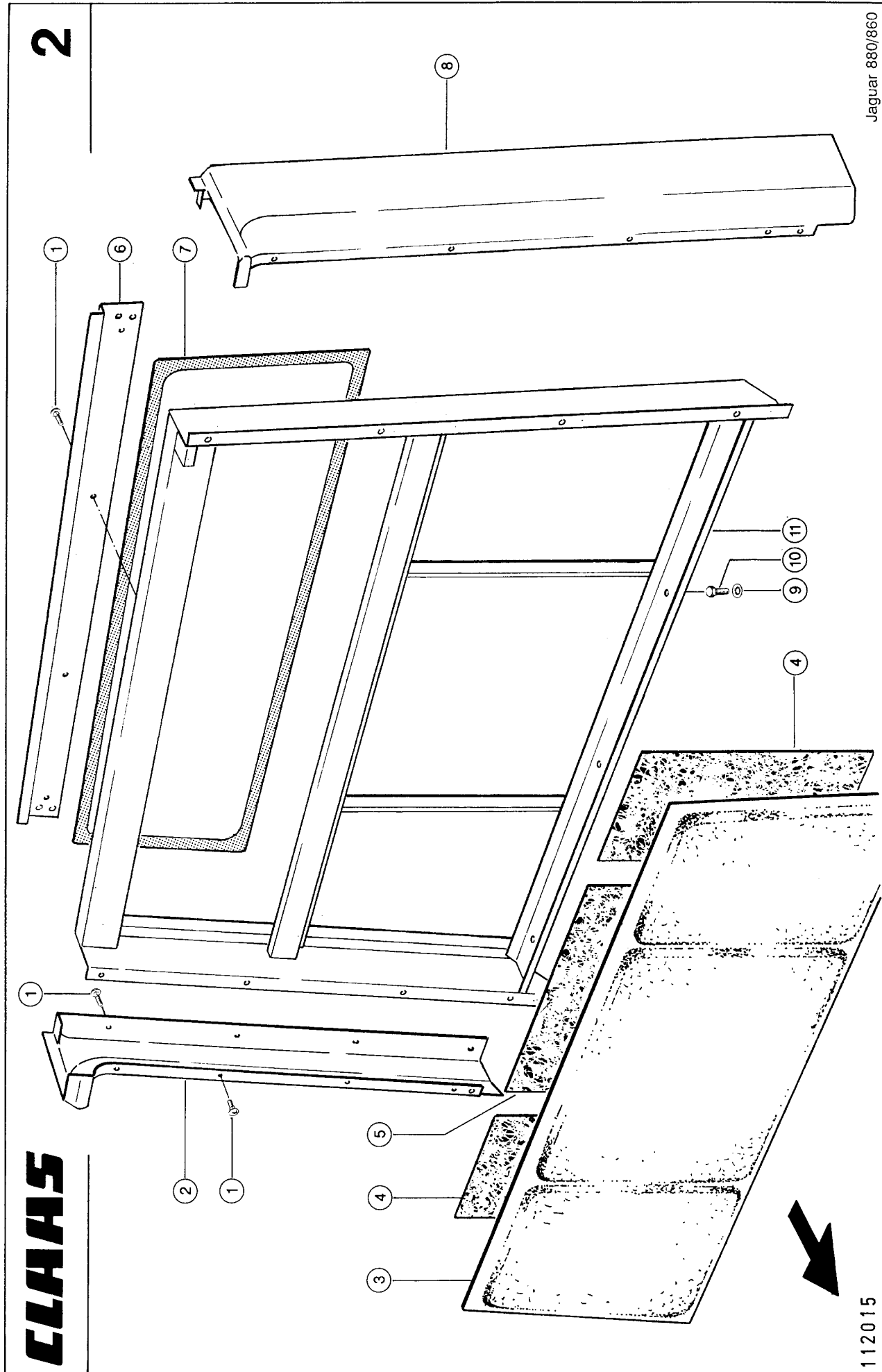
CAB, FRONT

Pos.	Part No.	Description	Dimension	Quantity	Conditions
1	00 0625 505 0	FRONT FRAME	KPL.M.SCHEIBE	1	
2	00 0622 636 0	WIPER ARM		1	
3	00 0236 169 0	HEXAGONAL NUT	M6	1	
4	00 0215 034 0	SERRATED L.WASHER	A 6,4	1	
5	00 0622 641 0	CAP		1	
6	00 0237 216 0	HEXAGONAL NUT	M05	1	
6	00 0215 431 0	GUARD CAP	SW 8-M 5	1	
7	00 0236 910 2	FLAT WASHER	5 -5,3X10X1	1	
8	00 0622 642 0	RUBBER DISC		2	
8	00 0622 673 0	RUBBER DISC		2	
9	00 0622 634 0	WIPER MOTOR		1	
10	00 0622 640 0	HEXAGONAL NUT	M14X1	2	
11	00 0622 639 0	WASHER	14,5X50X2	1	
12	00 0622 638 0	RUBBER DISC		2	
12	00 0622 644 0	RUBBER DISC		2	
13	00 0010 136 0	ANGLE	1,5X40X144,5	1	
14	00 0236 400 0	ATTACHING CLAMP	1X 8-5,2	1	
15	00 0010 135 0	WIRING LOOM	SCHEIBENWISCHER	1	
16	00 0417 261 0	CABLE SCREW	PG 11 POZB	1	
17	00 0412 459 0	COUNTER NUT	PG 11	1	
18	00 0622 637 1	WIPER BLADE		1	
19	00 0625 824 0	CAP	F.WISCHERMOTOR	1	1)

1) Remarks

from No. 49000147

from No. 48900631

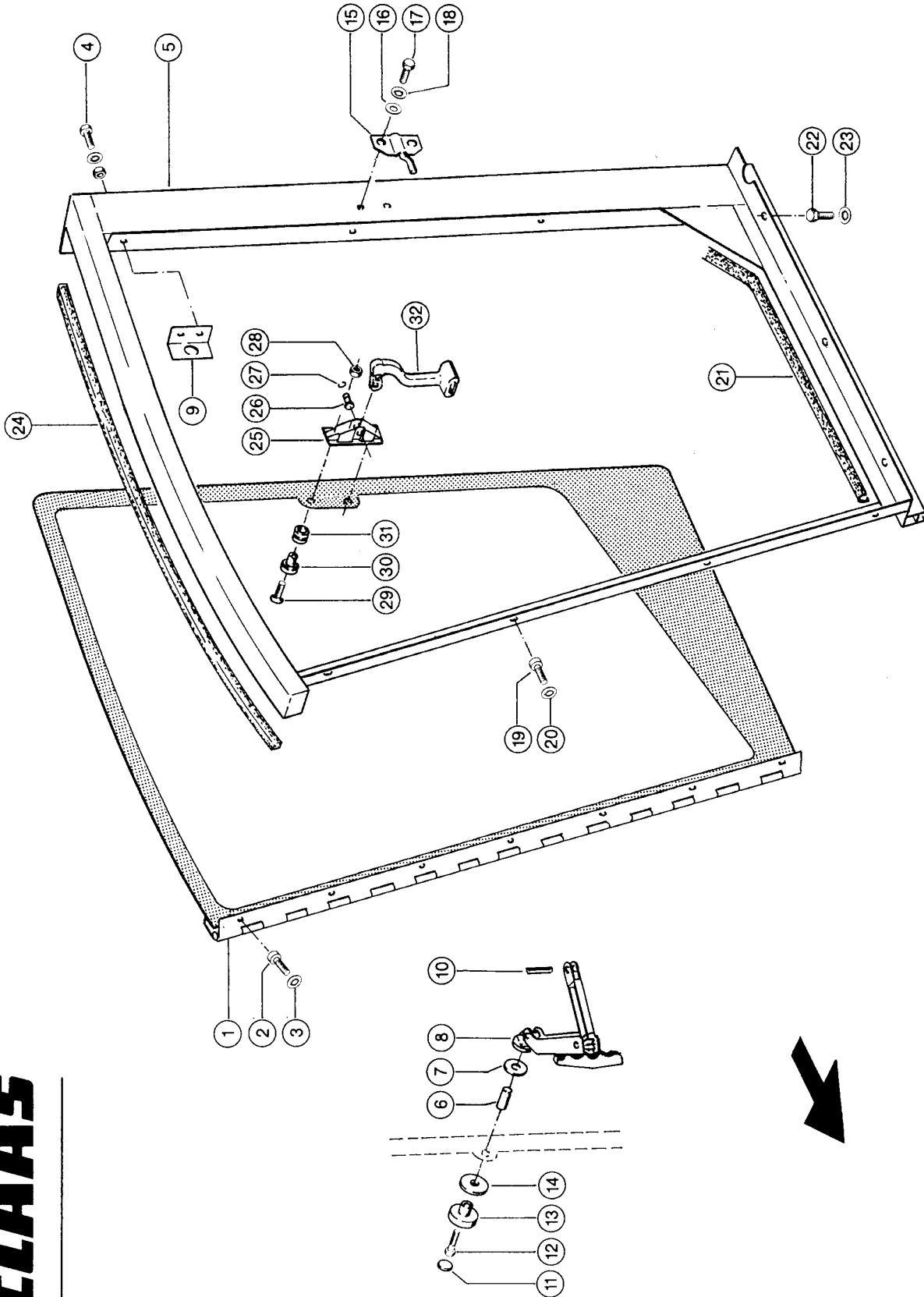


CAB, BACK PANEL

Pos.	Part No.	Description	Dimension	Quantity	Conditions
1	00 0215 720 0	FILL HEAD SCREW	ST4,2X13-C-KFR-Z	20	
2	00 0625 572 2	COLUMN R.H.		1	
3	00 0625 609 2	COVER	50X762X1404	1	
4	00 0625 613 0	SOUND PROOFING M.	2X 330X 700	2	
5	00 0625 614 0	SOUND PROOFING M.	2X 570X 670	1	
6	00 0625 588 1	SCREEN REAR	1X140X1356	1	
7	00 0625 513 1	REAR WINDOW	RW GRUEN OE SDR	1	
8	00 0625 571 1	COLUMN L.H.		1	
9	00 0239 393 1	CONTACT WASHER	B 8 -8.2X22X1,9	4	
10	00 0236 200 0	HEXAGON HEAD BOLT	M8X20	4	
11	00 0625 601 3	REAR PANEL	S	1	
11	00 0215 587 0	PLASTIC PLUG	D 8 22,75LG	4	
11	00 0215 614 0	PVC-PLUG	D 6 18LG	1	

3

Jaguar 880/860



CLAAS

CABSIDE, RIGHT HAND WITH DOOR 1)

Pos.	Part No.	Description	Dimension	Quantity	Conditions
1	00 0625 687 2	DOOR R.H.		1	2)
1	00 0625 576 0	DOOR R.H.		1	3)
2	00 0242 214 0	SOCKET HEAD SCREW	M 6X 16	7	
3	00 0239 392 0	CONTACT WASHER	B 6 -6X18X1,4	7	
4	00 0236 200 0	HEXAGON HEAD BOLT	M8X20	5	
4	00 0236 170 0	HEXAGONAL NUT	M8	5	
4	00 0239 393 1	CONTACT WASHER	B 8 -8.2X22X1,9	5	
5	00 0625 653 0	SIDE WALL R.H.		1	
6	00 0625 690 0	SPACER PIECE		1	4)
6	00 0625 690 0	SPACER PIECE		1	5)
7	00 0625 738 0	RUBBER DISC	13 X 34X 2	1	3)
8	00 0625 589 1	FASTENER	S	1	4)
8	00 0625 589 1	FASTENER	S	1	5)
8	00 0625 737 0	FASTENER		1	6)
9	00 0625 677 0	ANGLE	40X40X4X90	1	
10	00 0235 642 0	SPRING PIN	5 X 16	1	3)
11	00 0625 693 0	PLUG		1	4)
11	00 0625 693 0	PLUG		1	5)
12	00 0233 449 0	HEXAGON HEAD BOLT	M 6X30	1	4)
12	00 0233 449 0	HEXAGON HEAD BOLT	M 6X30	1	5)
13	00 0625 692 0	CAP		1	4)
13	00 0625 692 0	CAP		1	5)
13	00 0625 739 0	CAP		1	6)
14	00 0625 691 0	RUBBER DISC		1	4)
14	00 0625 691 0	RUBBER DISC		1	5)
15	00 0625 843 0	LOCKING PLATE		1	2)
15	00 0625 678 1	LOCKING PLATE		1	3)
16	00 0236 913 2	FLAT WASHER	10-10,5X20X2	2	
17	00 0236 200 0	HEXAGON HEAD BOLT	M8X20	2	
18	00 0239 393 1	CONTACT WASHER	B 8 -8.2X22X1,9	2	
19	00 0242 227 1	SOCKET HEAD SCREW	M8X16	4	
19	00 0237 439 0	HEXAGON HEAD BOLT	M8X16	1	
20	00 0239 393 1	CONTACT WASHER	B 8 -8.2X22X1,9	5	
21	00 0205 509 0	SEALING PROFILE	W.ERS.D.2055540	1	7)
22	00 0236 200 0	HEXAGON HEAD BOLT	M8X20	3	
23	00 0239 393 1	CONTACT WASHER	B 8 -8.2X22X1,9	3	
24	00 0205 593 0	PROFILE	20X30X1100	1	2)
25	00 0625 817 0	SUPPORT		1	2)
26	00 0625 819 0	PIN	8X23X20,5	1	2)
27	00 0235 752 0	LOCK WASHER	6	1	2)
28	00 0236 170 0	HEXAGONAL NUT	M8	2	2)
29	00 0237 069 0	COUNTERSUNK BOLT	M 8X 30	2	2)
30	00 0625 821 0	SPACER GLASS	8,5X30X17	2	2)
31	00 0625 820 0	GROMMET	A 14X19X5,5	2	2)
32	00 0625 818 0	HANDLE		1	2)

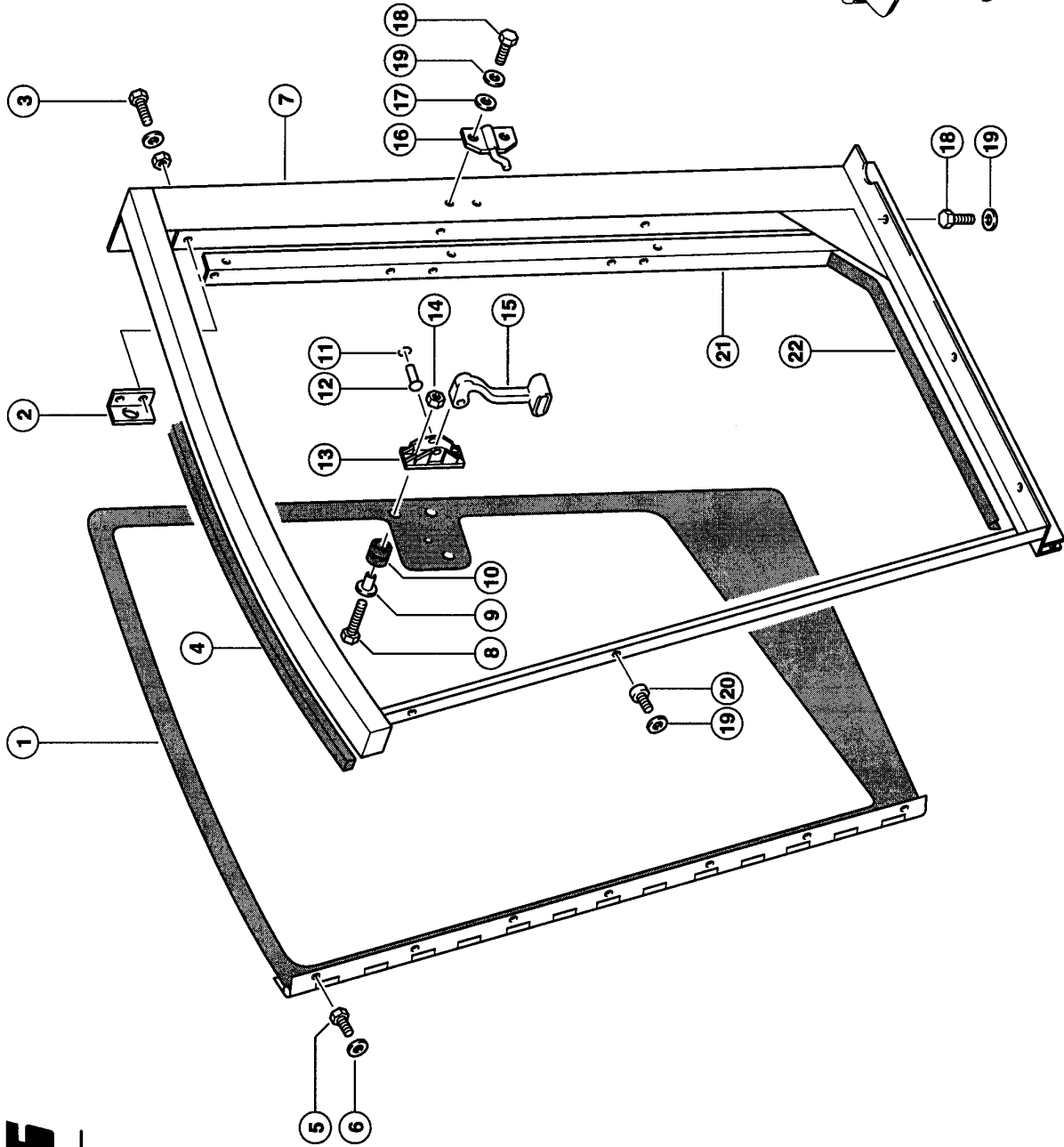
1) Remarks	Up To Serial No. 49103731
2) Remarks	from No. 49000148 from No. 48900557
3) Remarks	to No. 49000147 to No. 48900556
4) Remarks	49000027 - 49000147
5) Remarks	48900026 - 48900556

CABSIDE, RIGHT HAND WITH DOOR 1)

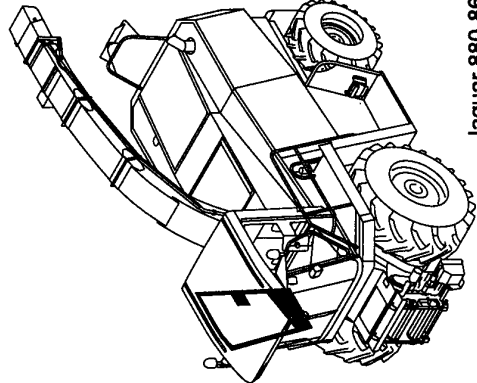
6) Remarks	to No. 49000026 to No. 48900025
-------------------	------------------------------------

7) Remarks	4700 mm long
-------------------	--------------

3A



CLAAS



Jaguar 880-860



101918

CABSIDE, RIGHT HAND WITH DOOR 1)

Pos.	Part No.	Description	Dimension	Quantity	Conditions
1	00 0069 441 0	DOOR R.H.		1	
2	00 0625 677 0	ANGLE	40X40X4X90	1	
3	00 0236 200 0	HEXAGON HEAD BOLT	M8X20	5	
3	00 0236 170 0	HEXAGONAL NUT	M8	5	
3	00 0239 393 1	CONTACT WASHER	B 8 -8.2X22X1,9	5	
4	00 0205 593 0	PROFILE	20X30X1100	1	2)
5	00 0237 465 0	HEXAGON HEAD BOLT	M6X16	7	
6	00 0239 392 0	CONTACT WASHER	B 6 -6X18X1,4	7	
7	00 0625 653 0	SIDE WALL R.H.		1	
8	00 0237 069 0	COUNTERSUNK BOLT	M 8X 30	2	
9	00 0625 821 0	SPACER GLASS	8,5X30X17	2	
10	00 0625 820 0	GROMMET	A 14X19X5,5	2	
11	00 0236 357 0	SHIM	8,5X14X0,25	1	
12	00 0625 819 0	PIN	8X23X20,5	1	
13	00 0625 817 0	SUPPORT		1	
14	00 0236 170 0	HEXAGONAL NUT	M8	2	
15	00 0625 818 0	HANDLE		1	
16	00 0625 843 3	LOCKING PLATE		1	
17	00 0236 913 2	FLAT WASHER	10-10,5X20X2	2	
18	00 0236 200 0	HEXAGON HEAD BOLT	M8X20	5	
19	00 0239 393 1	CONTACT WASHER	B 8 -8.2X22X1,9	10	
20	00 0237 439 0	HEXAGON HEAD BOLT	M8X16	4	
20	00 0242 227 1	SOCKET HEAD SCREW	M8X16	1	
21	00 0625 902 0	ANGLE	1,5X53X1334	1	
22	00 0205 554 0	SEAL STRIP		1	3)

1) Remarks	From Serial No. 49103732
-------------------	--------------------------

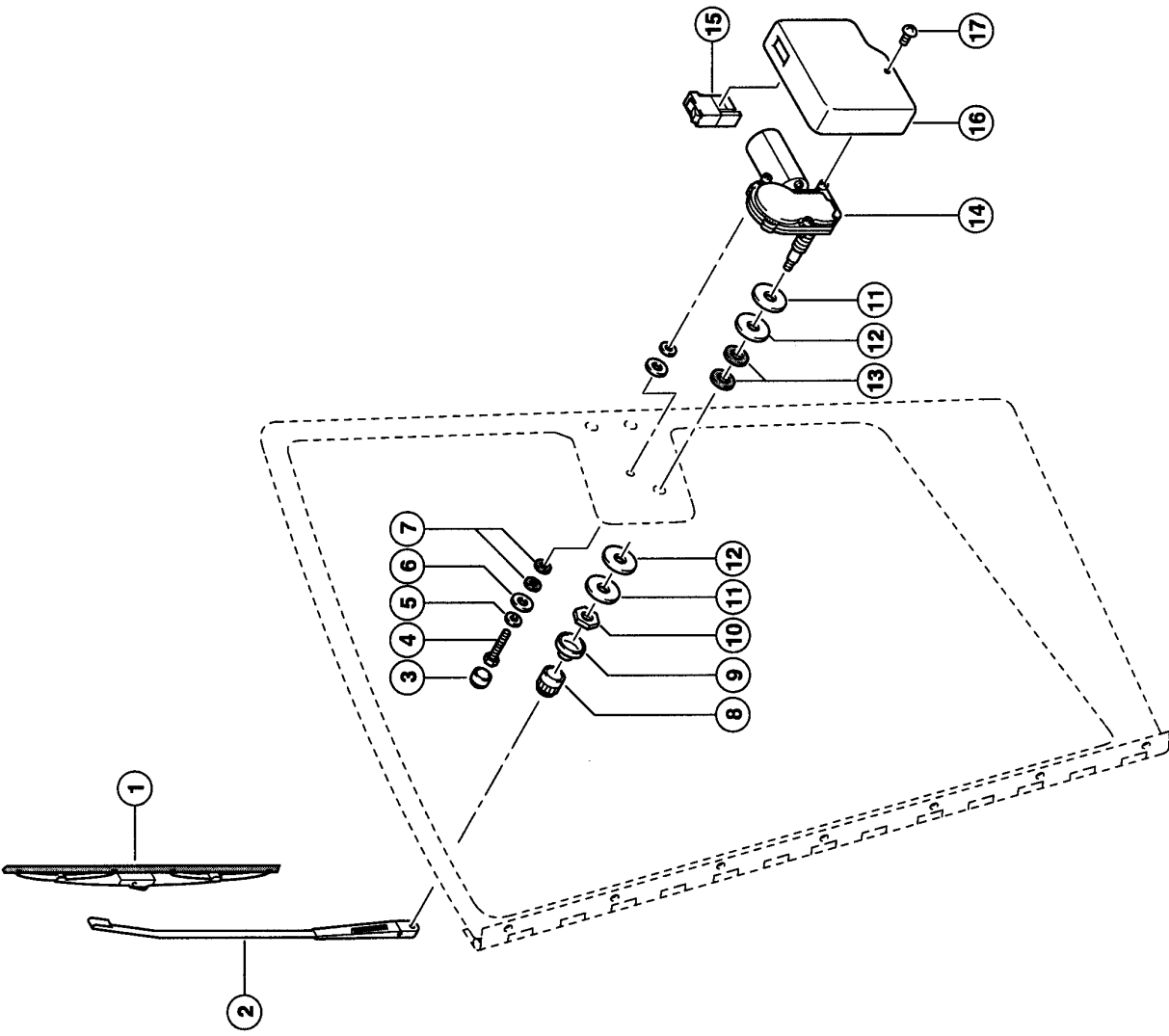
2) Remarks	1100 long
-------------------	-----------

3) Remarks	4700 mm long
-------------------	--------------

3B

CLAAS

Jaguar 880/860



101893

WINDSCREEN WASHER, R.H. 1)

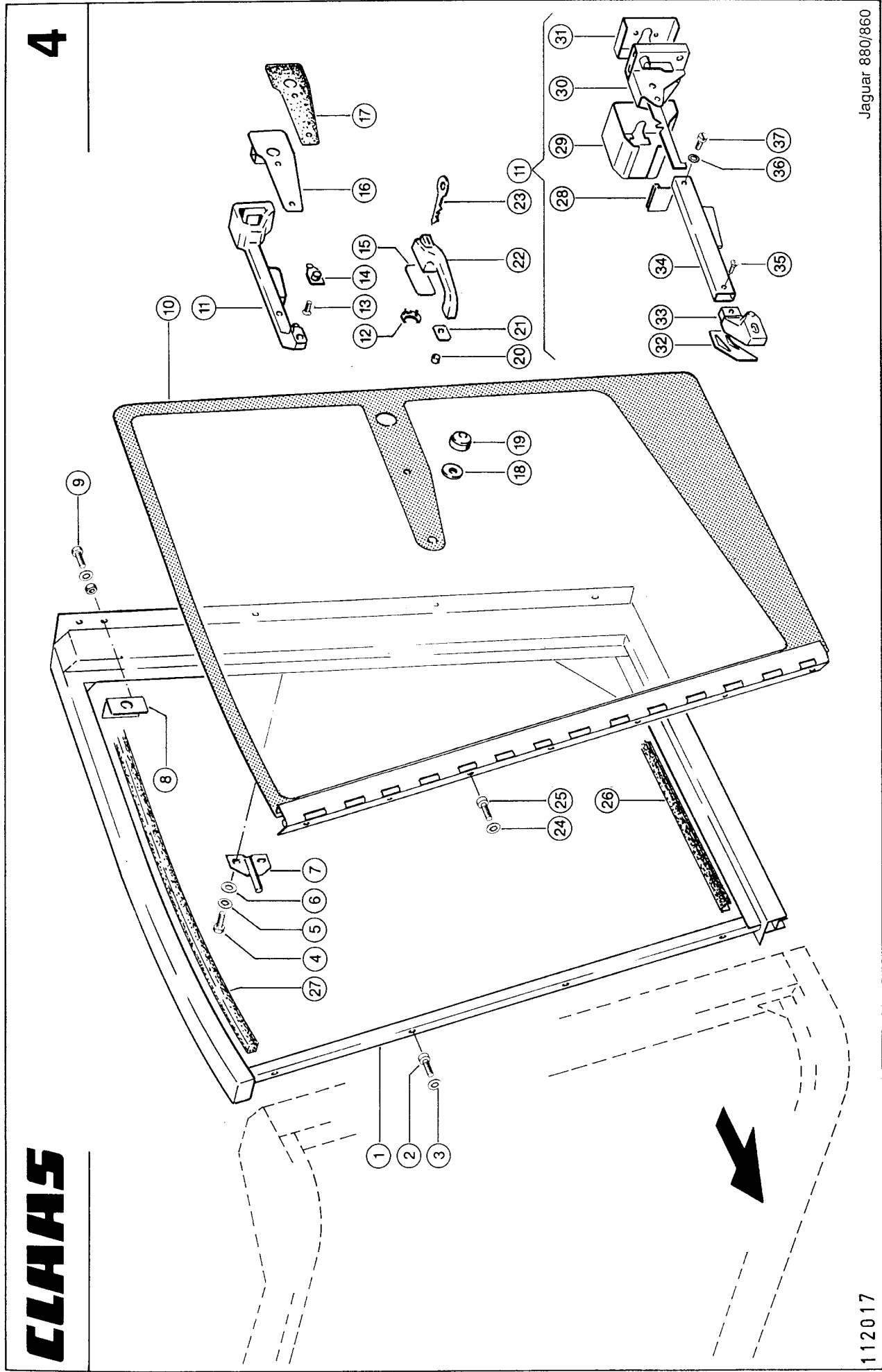
Pos.	Part No.	Description	Dimension	Quantity	Conditions
1	00 0069 486 0	WIPER BLADE		1	
2	00 0069 485 0	WIPER ARM		1	
3	00 0216 335 0	GUARD CAP	SW10-M 6	1	
4	00 0237 466 0	HEXAGON HEAD BOLT	M06X20	1	
5	00 0234 256 0	FLAT WASHER	6,2X15X1,5	1	
6	00 0622 642 0	RUBBER DISC		1	
7	00 0622 673 0	RUBBER DISC		1	
8	00 0069 483 0	CAP		1	
9	00 0069 489 0	CAP	22X40,5	1	
10	00 0069 484 0	HEXAGONAL NUT	M16X1	1	
11	00 0176 843 0	WASHER	16,5X 50 X1,5	2	
12	00 0622 644 0	RUBBER DISC		2	
13	00 0622 638 0	RUBBER DISC		2	
14	00 0069 482 0	WIPER MOTOR		1	
15	00 0010 155 0	ROCKER SWITCH		1	
15	00 0071 533 0	SWITCH INSERT		1	
16	00 0069 488 0	COVERING	RECHTS	1	
17	00 0665 564 1	COACH BOLT	M6X12	1	

1) Remarks

Q 03 / 60

4

CLHHS



Jaguar 880/860

112017

CAB, L.H. SIDE WITH DOOR 1)

Pos.	Part No.	Description	Dimension	Quantity	Conditions
1	00 0625 652 0	SIDE WALL L.H.	S	1	
2	00 0242 227 1	SOCKET HEAD SCREW	M8X16	4	
2	00 0237 439 0	HEXAGON HEAD BOLT	M8X16	1	
3	00 0239 393 1	CONTACT WASHER	B 8 -8.2X22X1,9	5	
4	00 0236 200 0	HEXAGON HEAD BOLT	M8X20	2	
5	00 0239 393 1	CONTACT WASHER	B 8 -8.2X22X1,9	2	
6	00 0236 913 2	FLAT WASHER	10-10,5X20X2	2	
7	00 0625 578 1	LOCKING PLATE		1	
8	00 0625 677 0	ANGLE	40X40X4X90	1	
9	00 0236 200 0	HEXAGON HEAD BOLT	M8X20	5	
9	00 0236 170 0	HEXAGONAL NUT	M8	5	
9	00 0239 393 1	CONTACT WASHER	B 8 -8.2X22X1,9	5	
10	00 0625 575 2	DOOR L.H.		1	
11	00 0625 730 0	DOOR HANDLE		1	2)
12	00 0625 726 0	DISTANCE PLATE		1	
13	00 0237 063 0	COUNTERSUNK BOLT	M 6X 25	4	
13	00 0237 062 1	COUNTERSUNK BOLT	M 6X 20	2	
13	00 0236 911 2	FLAT WASHER	6 -6,4X12X1,6	4	
14	00 0625 751 0	INSERT		1	
15	00 0625 723 0	SHIM LARGE		1	
16	00 0625 727 0	MOUNTING PLATE		1	
17	00 0625 750 0	SHIM		1	
18	00 0625 753 0	RUBBER DISC		1	
19	00 0625 752 0	CAP		1	
20	00 0625 725 0	SPACER TUBE		1	
21	00 0625 724 0	SHIM		1	
22	00 0625 721 0	HANDLE, EXTERIOR		1	
23	00 0625 722 0	DOOR KEY	EINHEITSSCHL.	1	
24	00 0239 392 0	CONTACT WASHER	B 6 -6X18X1,4	7	
25	00 0242 214 0	SOCKET HEAD SCREW	M 6X 16	7	
26	00 0205 509 0	SEALING PROFILE	W.ERS.D.2055540	1	3)
27	00 0205 593 0	PROFILE	20X30X1100	1	4)
28	00 0625 735 0	INSIDE COVER		1	
29	00 0625 736 0	CAP		1	
30	00 0625 731 0	LOCK		1	
31	00 0625 732 0	ADJUSTING PLATE		1	
32	00 0625 740 0	COVERING		1	
33	00 0625 734 0	END PIECE		1	
34	00 0625 733 0	DOOR HANDLE		1	
35	00 0241 236 0	COUNTERSUNK BOLT	M 5X10	1	
36	00 0215 031 0	SERRATED L.WASHER	A 5,3	1	
37	00 0242 043 0	SOCKET HEAD SCREW	M 5X10	1	

1) Remarks Up To Serial No. 49103731

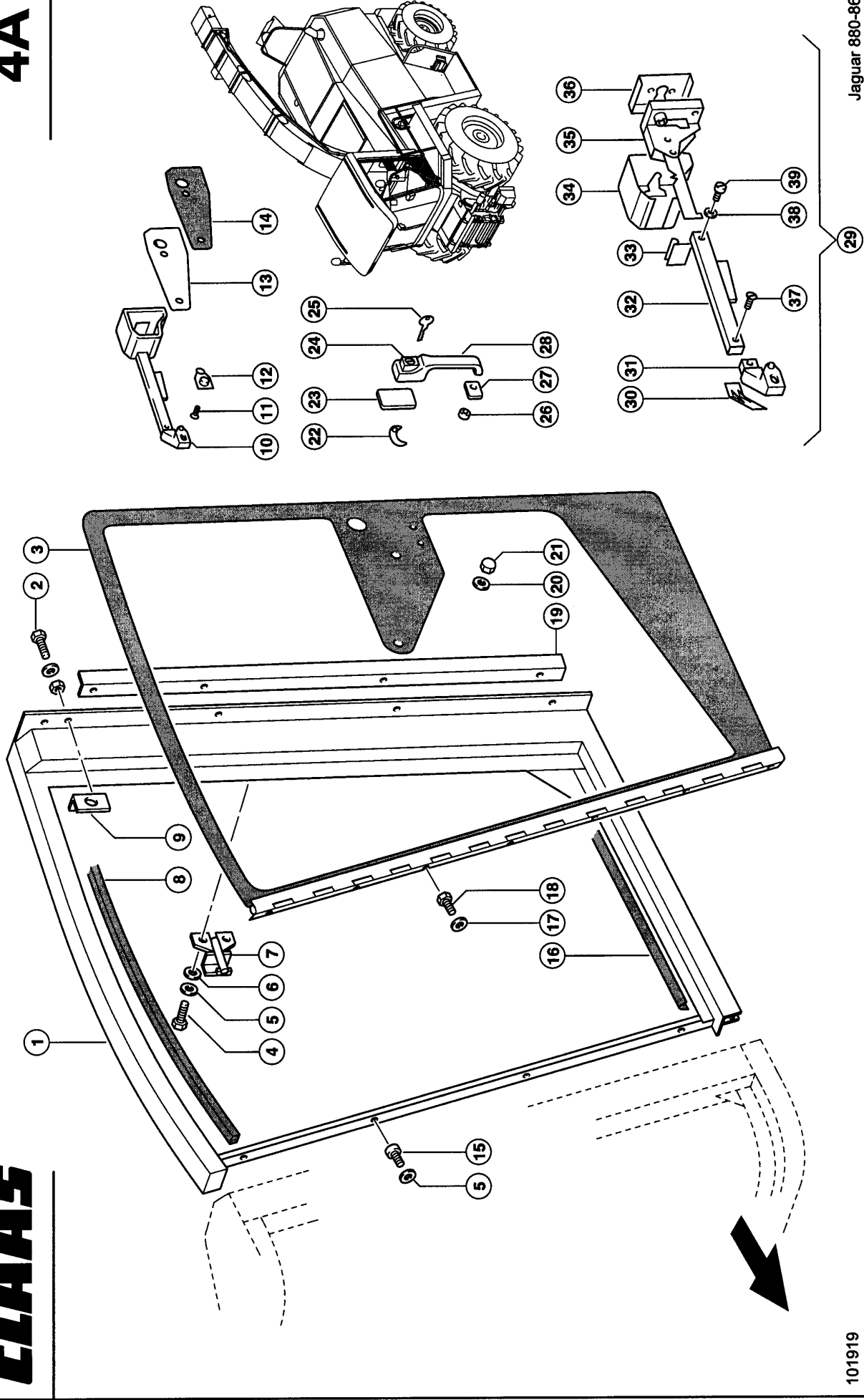
2) Remarks with Item 28 - 37

3) Remarks 4700 mm long

4) Remarks from No. 49000148
from No. 48900557

4A

CLAAS



101919

Jaguar 880-860

Thank you so much for reading.
Please click the “Buy Now!”
button below to download the
complete manual.



After you pay.

You can download the most
perfect and complete manual in
the world immediately.

Our support email:

ebooklibonline@outlook.com