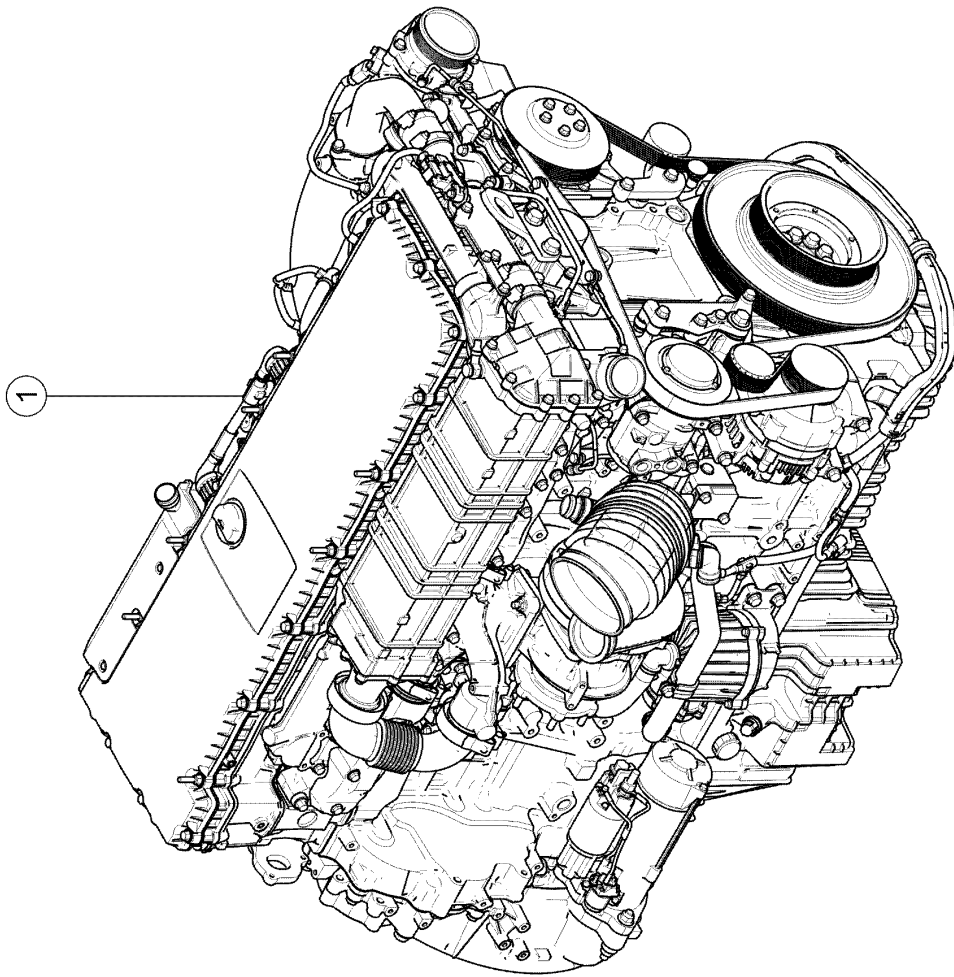


010 COMPLETE ENGINE 1)

Pos.	Part No.	Description	Dimension	Quantity	Conditions
1	00 0126 563 1	ENGINE	OM502LA T3 350KW	1	2)
1	00 2402 556 0	ENGINE	OM502LA T3 350KW SE	1	2)
1	00 0126 565 1	ENGINE	OM502LA T3 390KW	1	3)
1	00 2402 557 0	ENGINE	OM502LA T3 390KW SE	1	3)
1	00 0126 566 1	ENGINE	OM502LA T3 480KW	1	4)
1	00 2402 558 0	ENGINE	OM502LA T3 480KW SE	1	4)
1	00 2664 561 0	ENGINE	OM502LA T3 350KW SE	1	2)
1	00 2664 513 0	ENGINE	OM502LA T3 480KW SE	1	4)
1)	Equipment	SH_P02_0525 SH_P02_0530 SH_P02_0540	OM502, ECE R120, 350 kW/476 hp, Stage IIIA/Tier 3 OM502 ECE R120 390 KW/530 hp, Stage IIIA/Tier 3 OM502 ECE R120 480 KW/653 hp, Stage IIIA/Tier 3		
2)	Equipment	SH_P02_0525	OM502, ECE R120, 350 kW/476 hp, Stage IIIA/Tier 3		
3)	Equipment	SH_P02_0530	OM502 ECE R120 390 KW/530 hp, Stage IIIA/Tier 3		
4)	Equipment	SH_P02_0540	OM502 ECE R120 480 KW/653 hp, Stage IIIA/Tier 3		



010 COMPLETE ENGINE 1)

Pos.	Part No.	Description	Dimension	Quantity	Conditions
1	00 0123 708 4	ENGINE	OM471LA 380KW TIER4F	1	2)
1	00 1984 663 0	ENGINE	REMAN OM 471 LA 380KW	1	3)
1	00 1984 661 0	ENGINE	REMAN OM 471 LA 380KW	1	4)
1	00 0123 720 4	ENGINE	OM471LA 340KW TIER4F	1	5)
1	00 1984 667 0	ENGINE	REMAN OM 471 LA 340KW	1	6)
1	00 1984 665 0	ENGINE	REMAN OM 471 LA 340KW	1	7)
1	00 2642 518 0	ENGINE	OM471LA - 340KW E4 SE	1	8)
1	00 2642 519 0	ENGINE	OM471LA - 380KW E4 SE	1	9)
1	00 2694 192 0	ENGINE	OM471LA - 340KW T4	1	5)
1	00 2694 193 0	ENGINE	OM471LA - 380KW T4	1	2)

1) Equipment

SH_P02_0610	MB S6-cyl. OM 471 LA, 340 kW/462 hp, ECE R 120
SH_P02_0620	MB S6-cyl. OM 471 LA, 380 kW/516 hp, ECE R 120
SH_P02_1610	MB S6-cyl. OM 471 LA, 340 kW/462 hp, ECE R 120
SH_P02_1620	MB S6-cyl. OM 471 LA, 380 kW/516 hp, ECE R 120

2) Equipment

SH_P02_0620	MB S6-cyl. OM 471 LA, 380 kW/516 hp, ECE R 120
-------------	--

3) Equipment

SH_P02_0620	MB S6-cyl. OM 471 LA, 380 kW/516 hp, ECE R 120
SH_P02_1620	MB S6-cyl. OM 471 LA, 380 kW/516 hp, ECE R 120
Remarks	Exchange / Reman; not for US

4) Equipment

SH_P02_0620	MB S6-cyl. OM 471 LA, 380 kW/516 hp, ECE R 120
SH_P02_1620	MB S6-cyl. OM 471 LA, 380 kW/516 hp, ECE R 120
Remarks	Exchange / Reman; for USA

5) Equipment

SH_P02_0610	MB S6-cyl. OM 471 LA, 340 kW/462 hp, ECE R 120
-------------	--

6) Equipment

SH_P02_0610	MB S6-cyl. OM 471 LA, 340 kW/462 hp, ECE R 120
SH_P02_1610	MB S6-cyl. OM 471 LA, 340 kW/462 hp, ECE R 120
Remarks	Exchange / Reman; not for US

7) Equipment

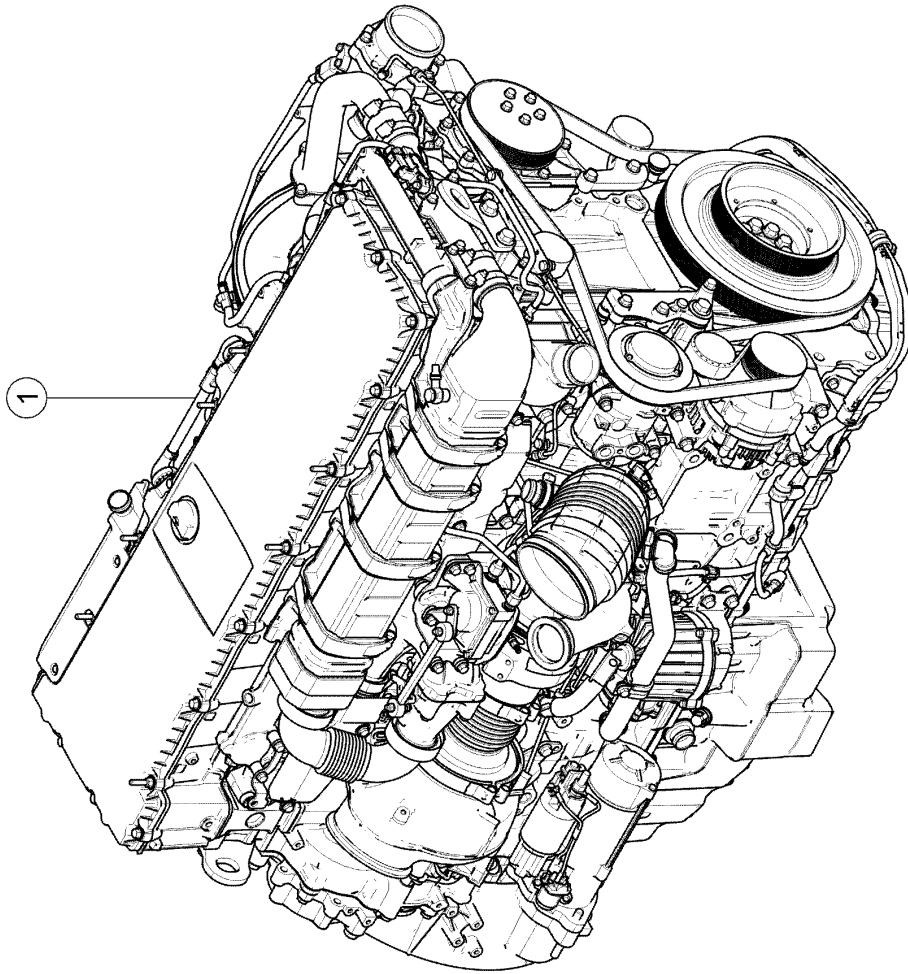
SH_P02_0610	MB S6-cyl. OM 471 LA, 340 kW/462 hp, ECE R 120
SH_P02_1610	MB S6-cyl. OM 471 LA, 340 kW/462 hp, ECE R 120
Remarks	Exchange / Reman; for USA

8) Equipment

SH_P02_1610	MB S6-cyl. OM 471 LA, 340 kW/462 hp, ECE R 120
-------------	--

9) Equipment

SH_P02_1620	MB S6-cyl. OM 471 LA, 380 kW/516 hp, ECE R 120
-------------	--



010 COMPLETE ENGINE 1)

Pos.	Part No.	Description	Dimension	Quantity	Conditions
1	00 0123 707 4	ENGINE	OM473LA 460KW TIER4F	1	2)
1	00 1984 655 0	ENGINE	REMAN OM 473 LA 460KW	1	3)
1	00 1984 657 0	ENGINE	REMAN OM 473 LA 460KW	1	4)
1	00 0123 721 4	ENGINE	OM473LA 430KW TIER4F	1	5)
1	00 1984 691 0	ENGINE	REMAN OM473LA TIER 4F 43	1	6)
1	00 1984 659 0	ENGINE	REMAN OM 473 LA 430KW	1	7)
1	00 2642 520 0	ENGINE	OM473LA - 430KW E4 SE	1	8)
1	00 2642 521 0	ENGINE	OM473LA - 460KW E4 SE	1	9)
1	00 2694 194 0	ENGINE	OM473LA - 430KW T4	1	5)
1	00 2694 195 0	ENGINE	OM473LA - 460KW T4	1	2)

1) Equipment

SH_P02_0630	MB S6-cyl. OM 473 LA, 430 kW/585 hp, ECE R 120
SH_P02_0640	MB S6-cyl. OM 473 LA, 460 kW/626 hp, ECE R 120
SH_P02_1630	MB S6-cyl. OM 473 LA, 430 kW/585 hp, ECE R 120
SH_P02_1640	MB S6-cyl. OM 473 LA, 460 kW/626 hp, ECE R 120

2) Equipment

SH_P02_0640	MB S6-cyl. OM 473 LA, 460 kW/626 hp, ECE R 120
-------------	--

3) Equipment

SH_P02_0640	MB S6-cyl. OM 473 LA, 460 kW/626 hp, ECE R 120
SH_P02_1640	MB S6-cyl. OM 473 LA, 460 kW/626 hp, ECE R 120
Remarks	Exchange / Reman; not for US

4) Equipment

SH_P02_0640	MB S6-cyl. OM 473 LA, 460 kW/626 hp, ECE R 120
SH_P02_1640	MB S6-cyl. OM 473 LA, 460 kW/626 hp, ECE R 120
Remarks	Exchange / Reman; for USA

5) Equipment

SH_P02_0630	MB S6-cyl. OM 473 LA, 430 kW/585 hp, ECE R 120
-------------	--

6) Equipment

SH_P02_0630	MB S6-cyl. OM 473 LA, 430 kW/585 hp, ECE R 120
SH_P02_1630	MB S6-cyl. OM 473 LA, 430 kW/585 hp, ECE R 120
Remarks	Exchange / Reman; not for US

7) Equipment

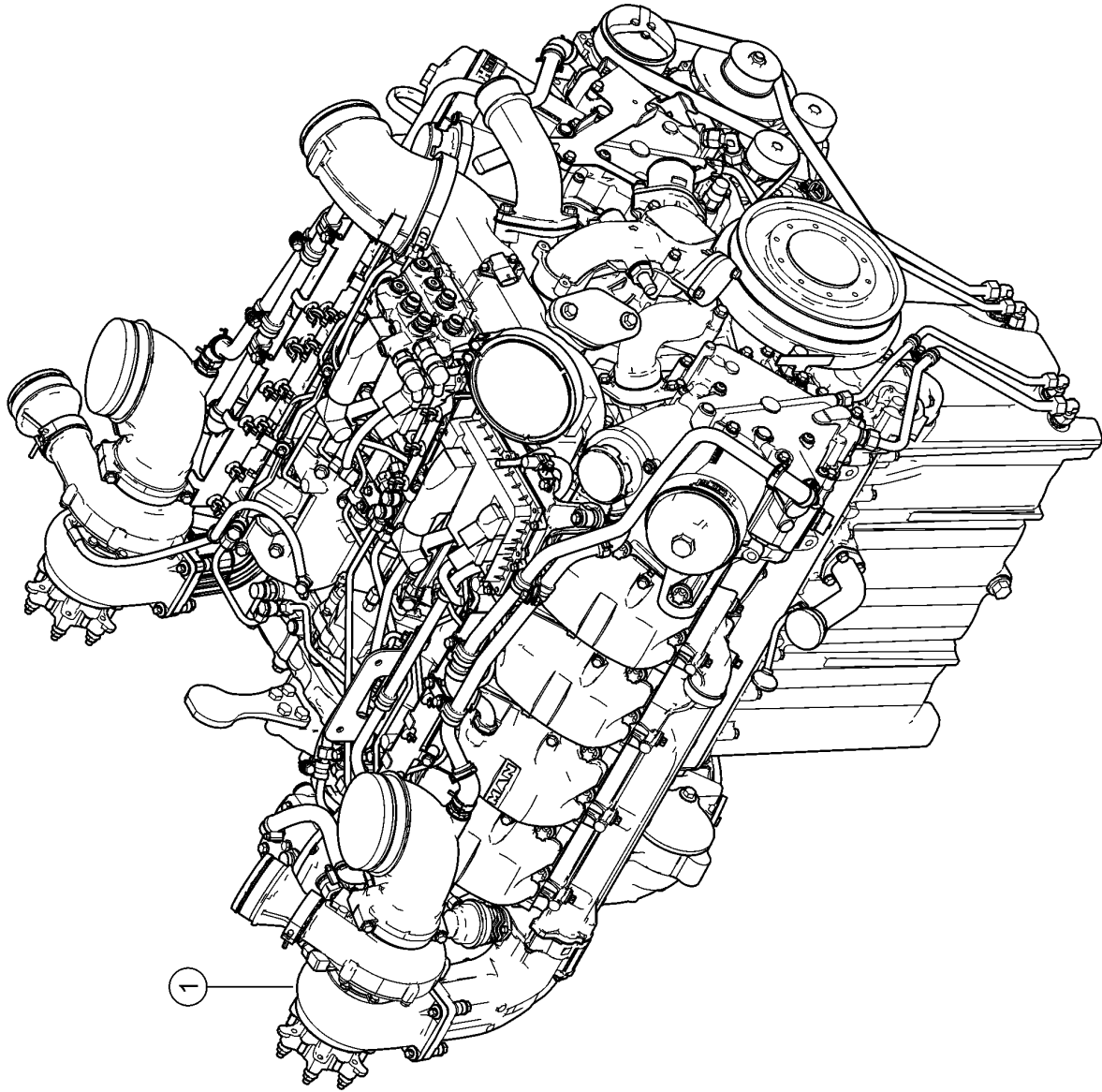
SH_P02_0630	MB S6-cyl. OM 473 LA, 430 kW/585 hp, ECE R 120
SH_P02_1630	MB S6-cyl. OM 473 LA, 430 kW/585 hp, ECE R 120
Remarks	Exchange / Reman; for USA

8) Equipment

SH_P02_1630	MB S6-cyl. OM 473 LA, 430 kW/585 hp, ECE R 120
-------------	--

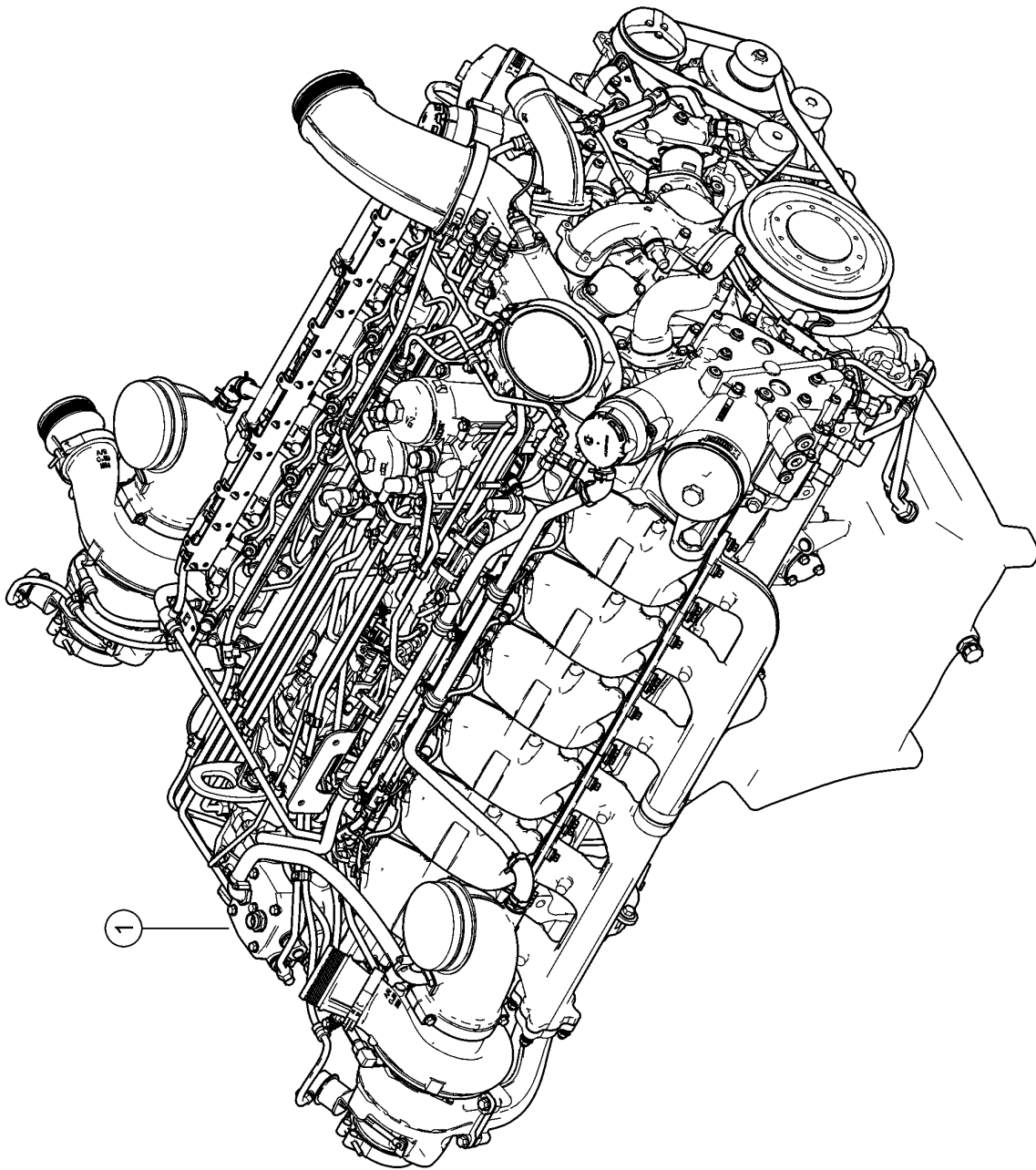
9) Equipment

SH_P02_1640	MB S6-cyl. OM 473 LA, 460 kW/626 hp, ECE R 120
-------------	--



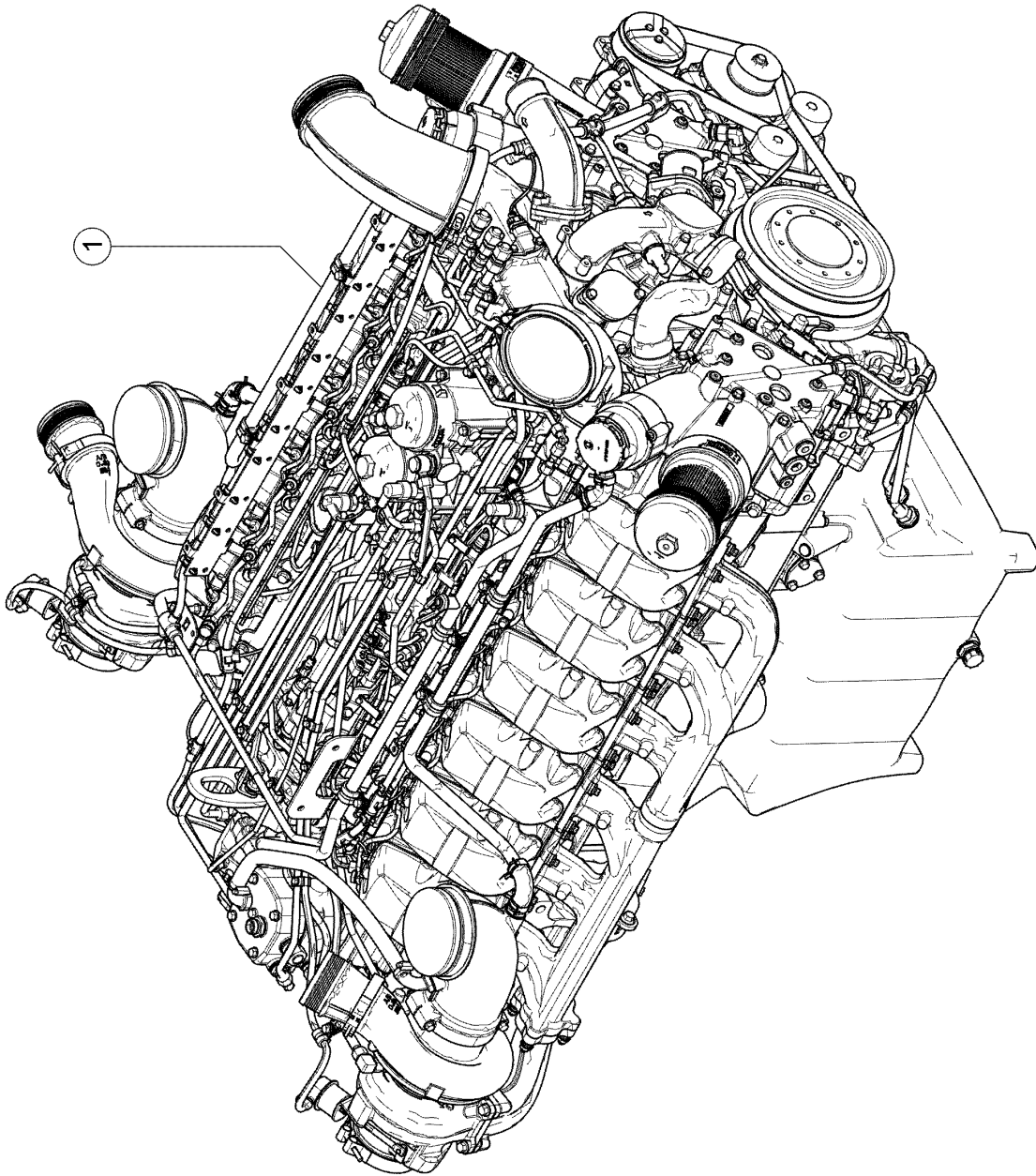
010 COMPLETE ENGINE 1)

Pos.	Part No.	Description	Dimension	Quantity	Conditions
1	00 2643 722 0	ENGINE	V8 570 KW SE	1	
1	00 1984 508 0	ENGINE	REMAN NOT US 570KW D2868	1	2)
1)	Equipment	SH_P02_0470	MAN V8-cyl. D2868, 570 kW/775 hp at 1800 rpm, ECE R 120		
2)	Remarks	Exchange / Reman; not for US			



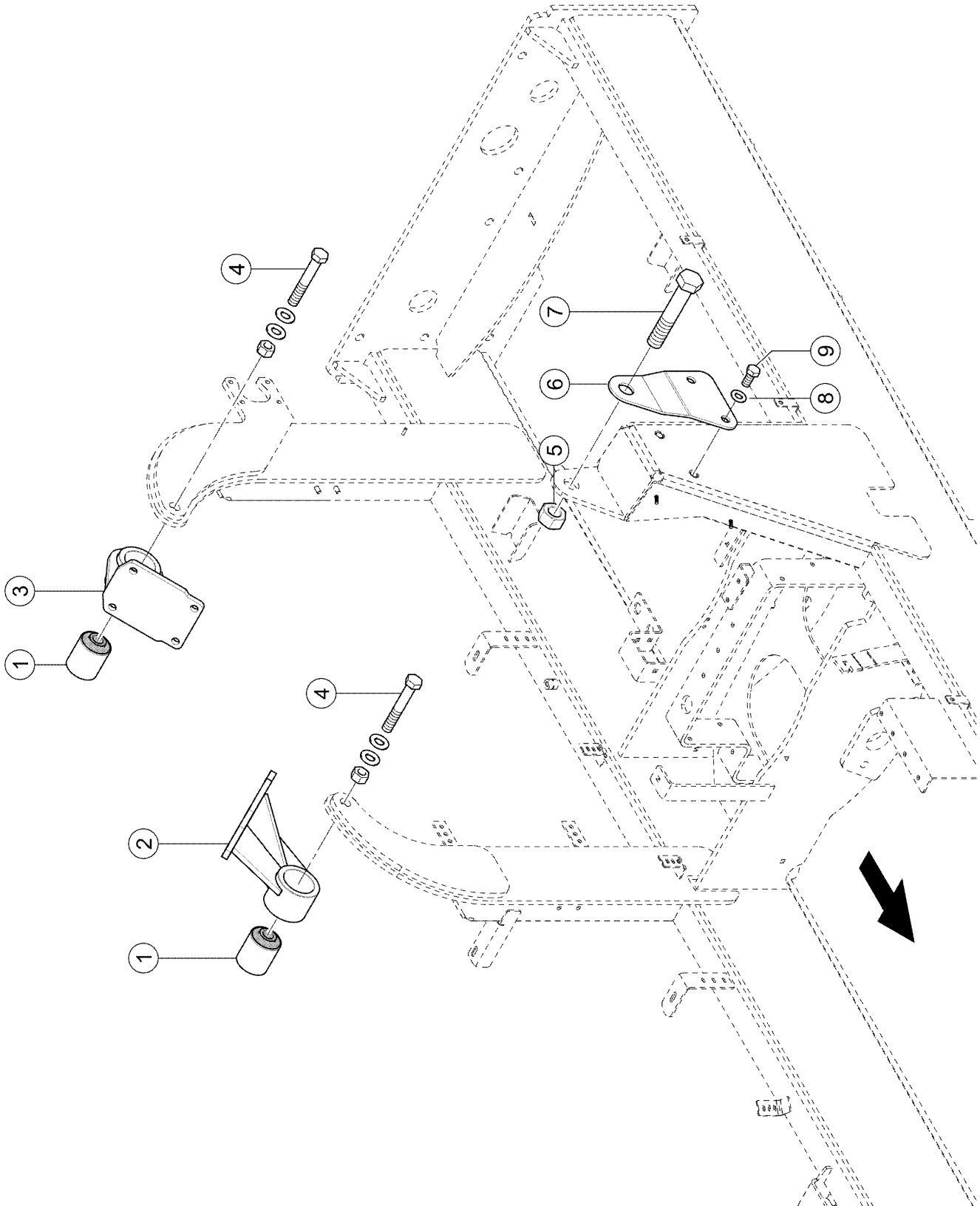
010 COMPLETE ENGINE 1)

Pos.	Part No.	Description	Dimension	Quantity	Conditions
1	00 2402 649 0	ENGINE	V12 650KW	1	
1	00 2643 723 0	ENGINE	V12 T0 650 KW SE	1	2)
1)	Equipment	SH_P02_0480	MAN V12-cyl. D2862, 650 kW/884 hp at 1800 rpm, ECE R 120		
2)	Remarks	Exchange / Reman; not for US			



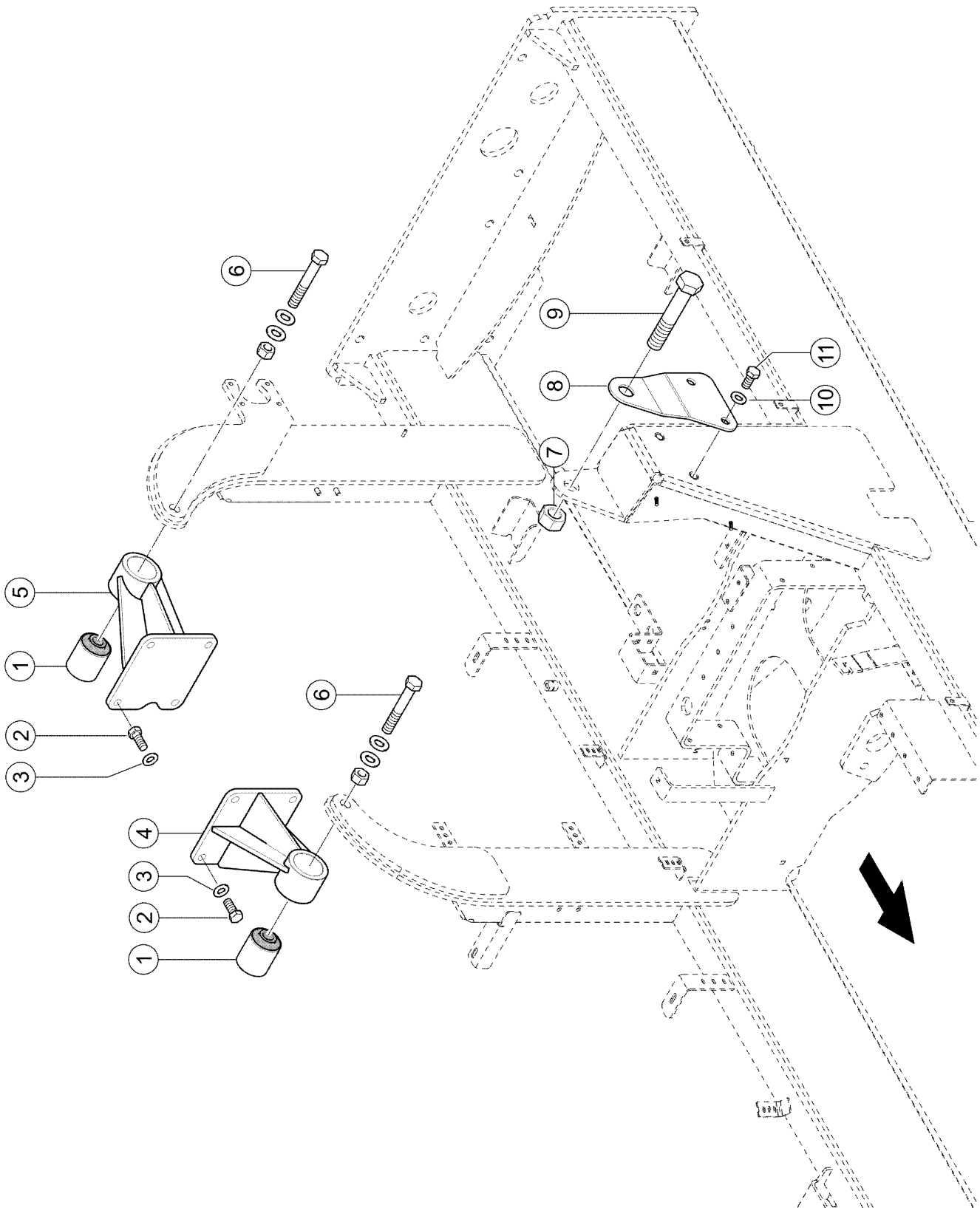
010 COMPLETE ENGINE 1)

Pos.	Part No.	Description	Dimension	Quantity	Conditions
1	00 2402 588 0	ENGINE	V12 588KW T4	1	2)
1	00 2402 650 0	ENGINE	V12 650KW T4	1	3)
1	00 2721 686 0	ENGINE	V12 650 KW T4/E5	1	4)
1)	Equipment	SH_P02_0472	MAN V12-cyl. D2862 R120 588 kW/800 hp at 1800 rpm, ECER120		
		SH_P02_0482	MAN V12-cyl. D2862, 650 kW/884 hp at 1800 rpm, ECE R 120		
		SH_P02_0483	MAN V12-cyl. D2862, 650 kW/884 hp at 1800 rpm, ECE R 120		
2)	Equipment	SH_P02_0472	MAN V12-cyl. D2862 R120 588 kW/800 hp at 1800 rpm, ECER120		
3)	Equipment	SH_P02_0482	MAN V12-cyl. D2862, 650 kW/884 hp at 1800 rpm, ECE R 120		
4)	Equipment	SH_P02_0483	MAN V12-cyl. D2862, 650 kW/884 hp at 1800 rpm, ECE R 120		



100 ENGINE SUSPENSION 1)

Pos.	Part No.	Description	Dimension	Quantity	Conditions
1	00 0090 330 0	MEGU BUSHING	22X65X89,5	2	
2	00 0124 044 1	ENGINE SUPPORT	OM 502 LA	1	2)
3	00 0124 049 1	ENGINE SUPPORT	OM 502 LA	1	2)
4	00 0237 830 0	HEXAGON HEAD BOLT	M20X140	2	
4	00 0212 191 0	CONTACT WASHER	A20	4	
4	00 0234 368 0	WASHER	21X40X4	2	
4	00 0237 521 0	HEX.NUT	M20	2	
5	00 0211 242 0	HEXAGONAL NUT	M30	1	
6	00 0143 105 1	SUPPORT	6X198X250	1	
7	00 0211 241 0	HEXAGON HEAD BOLT	M30X170	1	
8	00 0239 391 0	CONTACT WASHER	A16	2	
9	00 0238 662 1	HEXAGON HEAD BOLT	M16X45	2	
1)	Equipment	SH_P02_0525 SH_P02_0530 SH_P02_0540	OM502, ECE R120, 350 kW/476 hp, Stage IIIA/Tier 3 OM502 ECE R120 390 KW/530 hp, Stage IIIA/Tier 3 OM502 ECE R120 480 KW/653 hp, Stage IIIA/Tier 3		
2)	Remarks		with Item 1		



100 ENGINE SUSPENSION 1)

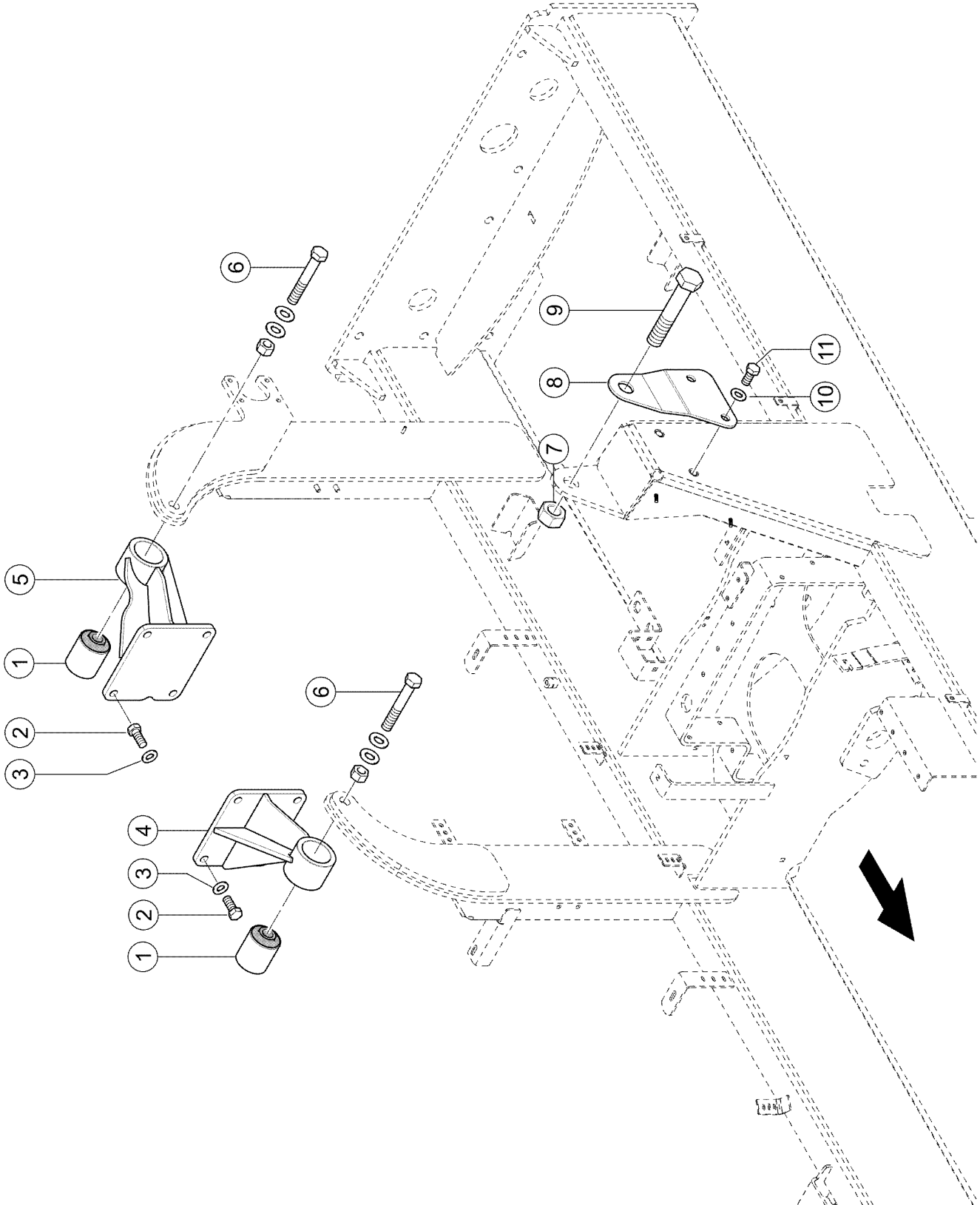
Pos.	Part No.	Description	Dimension	Quantity	Conditions
1	00 0090 330 0	MEGU BUSHING	22X65X89,5	2	
2	00 0239 130 0	HEXAGON HEAD BOLT	M16X1,5X 45	7	
3	00 0239 391 0	CONTACT WASHER	A16	7	
4	00 0124 063 1	ENGINE SUPPORT	OM471LA	1	2)
5	00 0124 068 2	ENGINE SUPPORT	OM471LA	1	2)
6	00 0237 830 0	HEXAGON HEAD BOLT	M20X140	2	
6	00 0212 191 0	CONTACT WASHER	A20	4	
6	00 0234 368 0	WASHER	21X40X4	2	
6	00 0237 521 0	HEX.NUT	M20	2	
7	00 0211 242 0	HEXAGONAL NUT	M30	1	
8	00 0143 105 1	SUPPORT	6X198X250	1	
9	00 0211 241 0	HEXAGON HEAD BOLT	M30X170	1	
10	00 0239 391 0	CONTACT WASHER	A16	2	
11	00 0238 662 1	HEXAGON HEAD BOLT	M16X45	2	

1) Equipment

SH_P02_0610	MB S6-cyl. OM 471 LA, 340 kW/462 hp, ECE R 120
SH_P02_0620	MB S6-cyl. OM 471 LA, 380 kW/516 hp, ECE R 120
SH_P02_1610	MB S6-cyl. OM 471 LA, 340 kW/462 hp, ECE R 120
SH_P02_1620	MB S6-cyl. OM 471 LA, 380 kW/516 hp, ECE R 120

2) Remarks

with Item 1



100 ENGINE SUSPENSION 1)

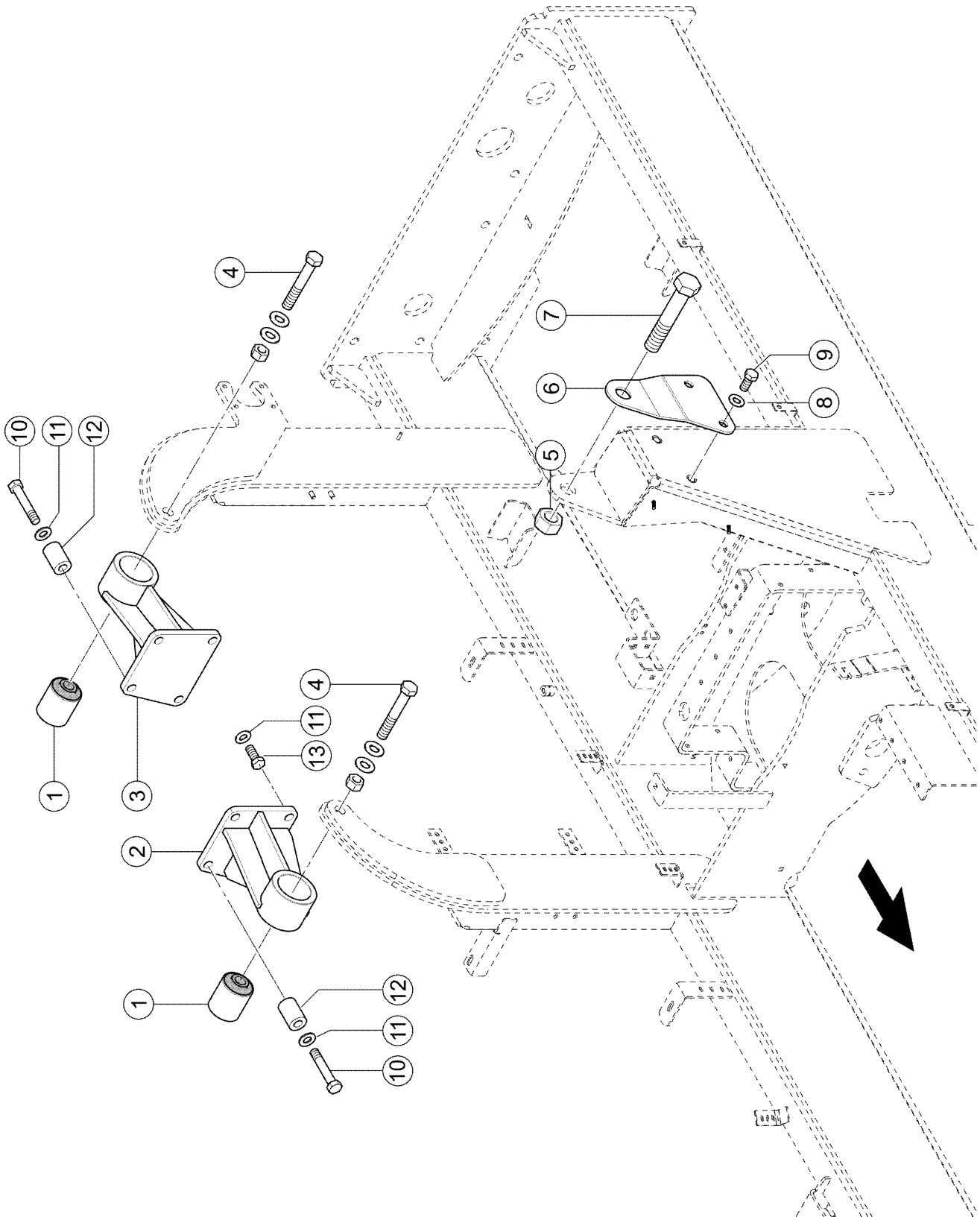
Pos.	Part No.	Description	Dimension	Quantity	Conditions
1	00 0090 330 0	MEGU BUSHING	22X65X89,5	2	
2	00 0239 130 0	HEXAGON HEAD BOLT	M16X1,5X 45	8	
3	00 0239 391 0	CONTACT WASHER	A16	8	
4	00 0124 072 1	ENGINE SUPPORT	OM743LA	1	2)
5	00 0124 077 2	ENGINE SUPPORT	OM473LA	1	2)
6	00 0237 830 0	HEXAGON HEAD BOLT	M20X140	2	
6	00 0212 191 0	CONTACT WASHER	A20	4	
6	00 0234 368 0	WASHER	21X40X4	2	
6	00 0237 521 0	HEX.NUT	M20	2	
7	00 0211 242 0	HEXAGONAL NUT	M30	1	
8	00 0143 105 1	SUPPORT	6X198X250	1	
9	00 0211 241 0	HEXAGON HEAD BOLT	M30X170	1	
10	00 0239 391 0	CONTACT WASHER	A16	2	
11	00 0238 662 1	HEXAGON HEAD BOLT	M16X45	2	

1) Equipment

SH_P02_0630	MB S6-cyl. OM 473 LA, 430 kW/585 hp, ECE R 120
SH_P02_0640	MB S6-cyl. OM 473 LA, 460 kW/626 hp, ECE R 120
SH_P02_1630	MB S6-cyl. OM 473 LA, 430 kW/585 hp, ECE R 120
SH_P02_1640	MB S6-cyl. OM 473 LA, 460 kW/626 hp, ECE R 120

2) Remarks

with Item 1



100 ENGINE SUSPENSION 1)

Pos.	Part No.	Description	Dimension	Quantity	Conditions
1	00 0090 330 0	MEGU BUSHING	22X65X89,5	2	
2	00 0124 081 1	ENGINE SUPPORT	MAN V8	1	2)
3	00 0124 085 1	ENGINE SUPPORT	MAN V8	1	2)
4	00 0237 830 0	HEXAGON HEAD BOLT	M20X140	2	
4	00 0212 191 0	CONTACT WASHER	A20	4	
4	00 0234 368 0	WASHER	21X40X4	2	
4	00 0237 521 0	HEX.NUT	M20	2	
5	00 0211 242 0	HEXAGONAL NUT	M30	1	
6	00 0143 105 1	SUPPORT	6X198X250	1	
7	00 0211 241 0	HEXAGON HEAD BOLT	M30X170	1	
8	00 0239 391 0	CONTACT WASHER	A16	2	
9	00 0368 026 0	HEX.HEAD BOLT	M16X40	2	
10	00 0214 244 0	HEXAGON HEAD BOLT	M16X90	6	
11	00 0239 391 0	CONTACT WASHER	A16	8	
12	00 0124 008 0	BUSHING	D35/D17X52	6	
13	00 0238 662 1	HEXAGON HEAD BOLT	M16X45	2	

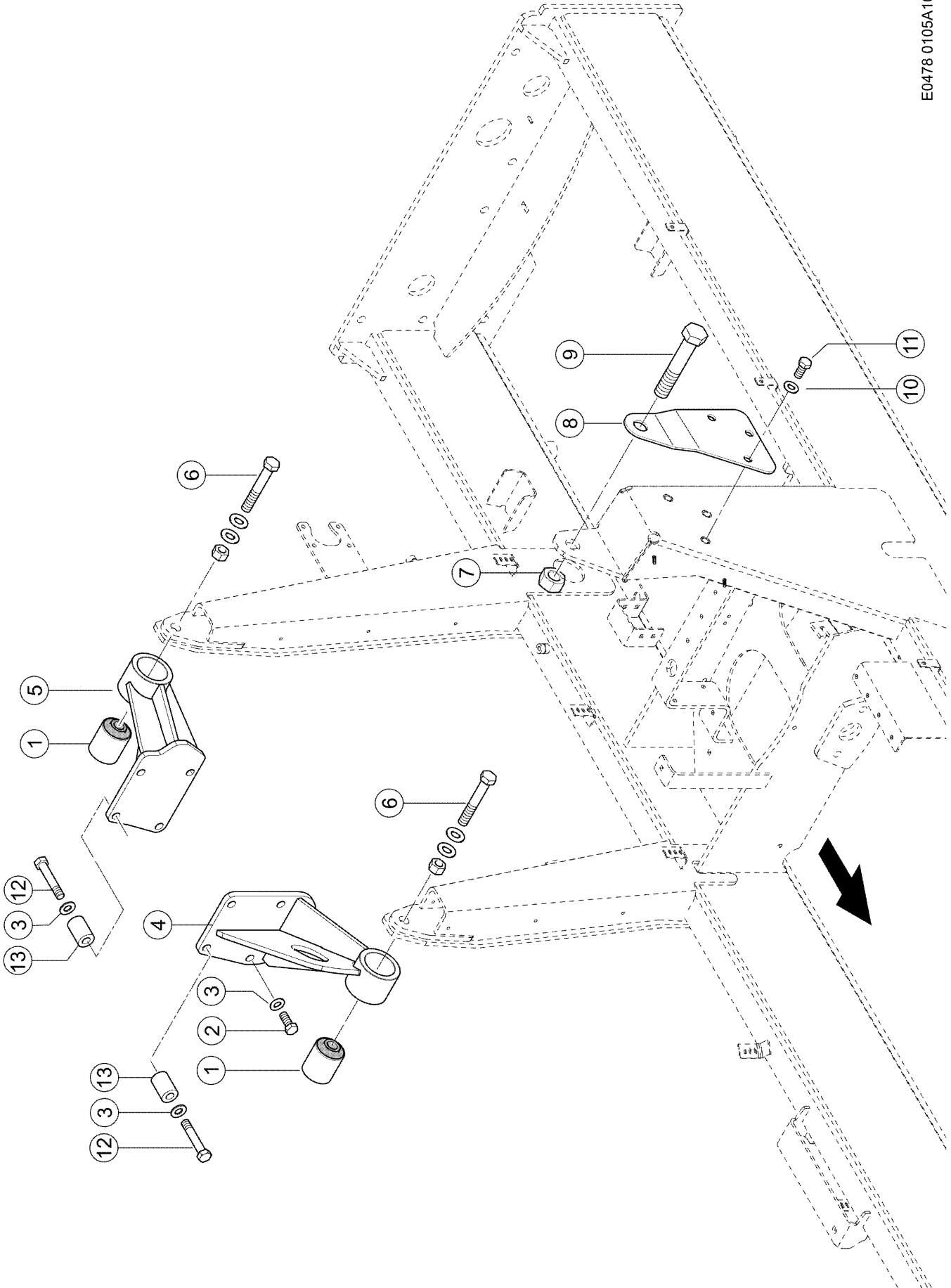
1) Equipment

SH_P02_0470

MAN V8-cyl. D2868, 570 kW/775 hp at 1800 rpm, ECE R 120

2) Remarks

with Item 1



Thank you so much for reading.
Please click the “Buy Now!”
button below to download the
complete manual.



After you pay.

You can download the most
perfect and complete manual in
the world immediately.

Our support email:

ebooklibonline@outlook.com