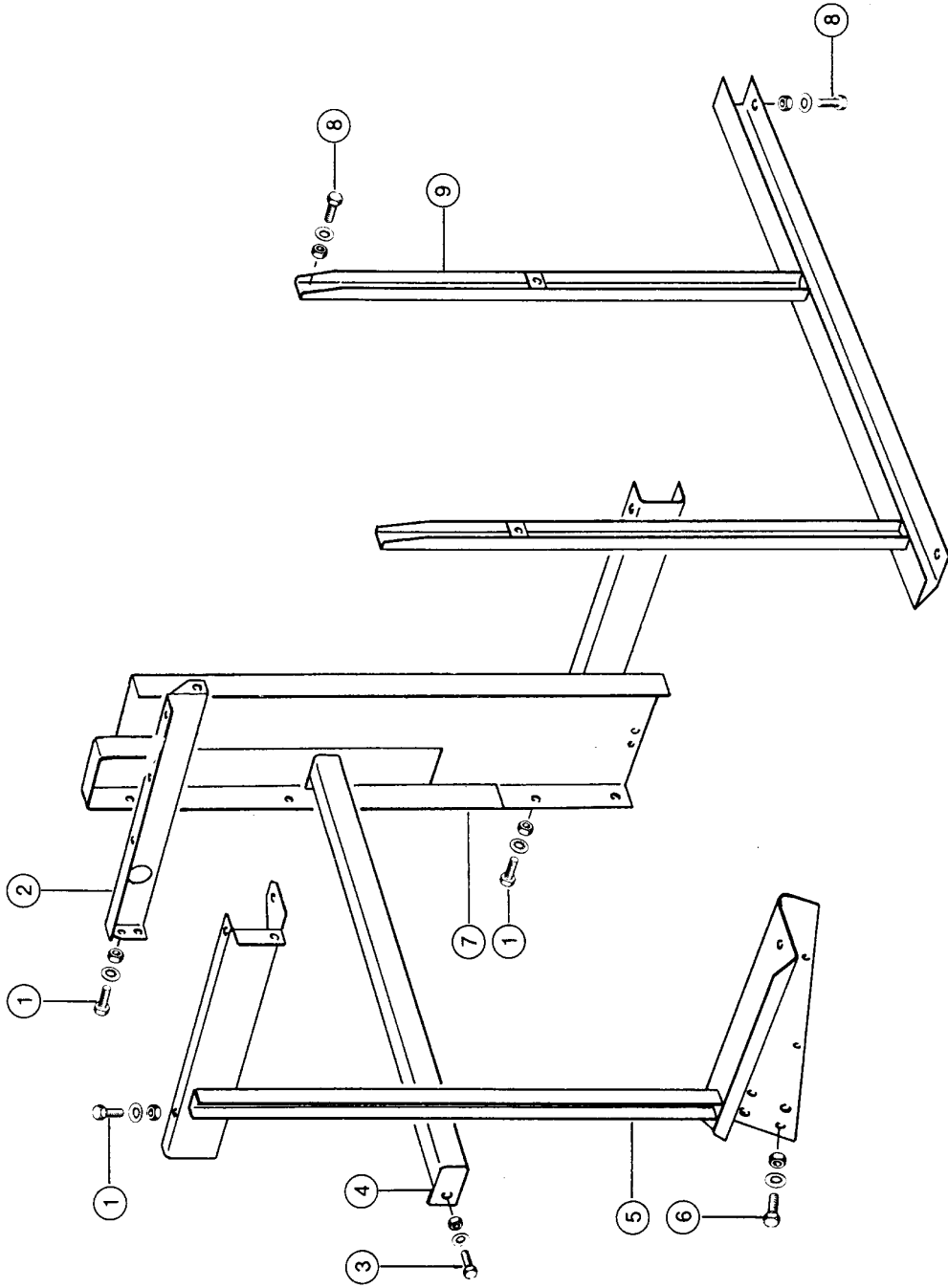


323

Lexion 430 -- 415



CLAAS

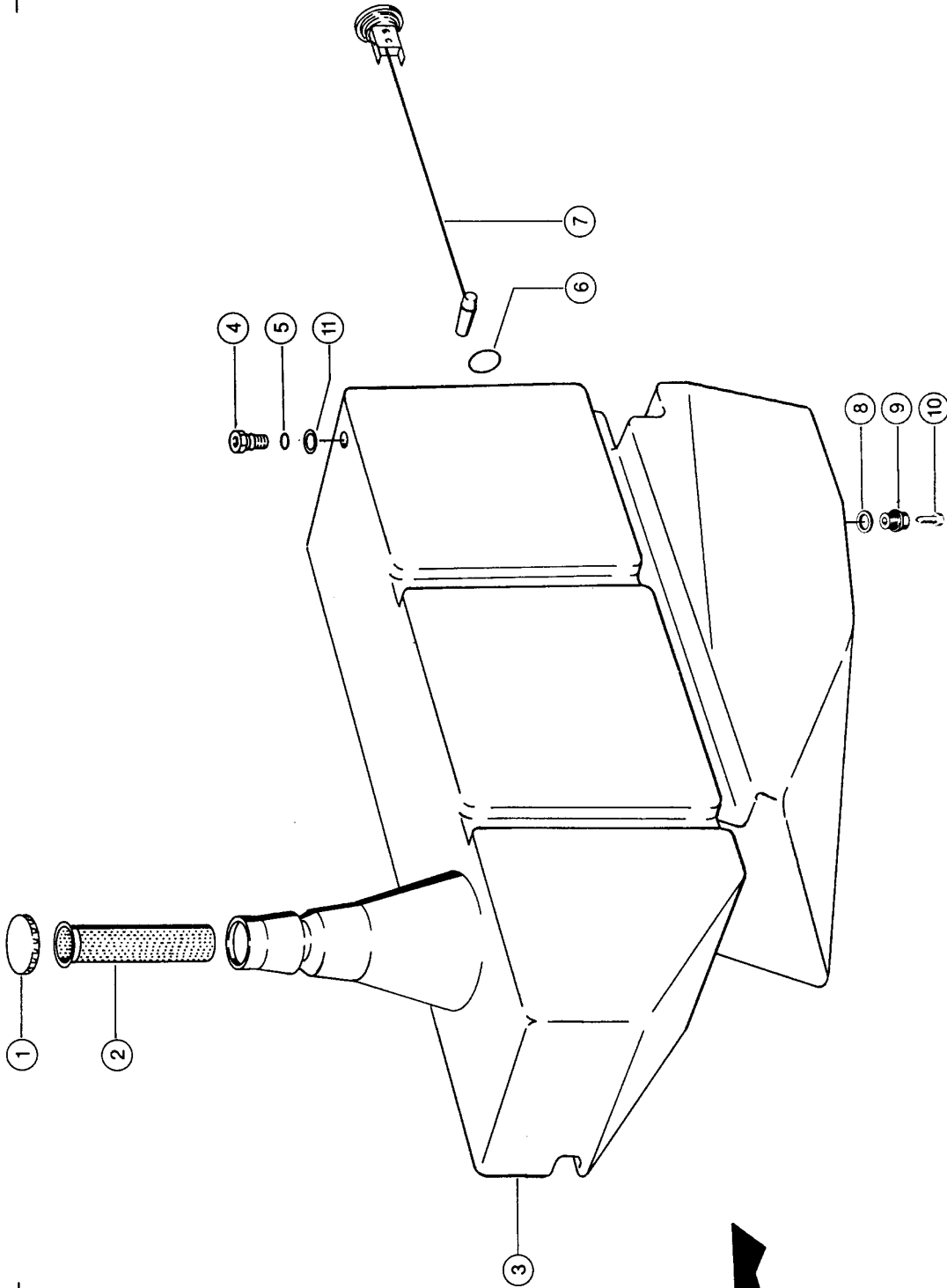
116351

BRACKET FOR FUEL TANK

Pos.	Part No.	Description	Dimension	Quantity	Conditions
1	00 0237 570 0	HEXAGON HEAD BOLT	M10X16	8	
1	00 0236 171 0	HEXAGONAL NUT	M10	8	
1	00 0239 388 0	CONTACT WASHER	A10-10,2X22,25X1,6	8	
2	00 0751 031 0	SUPPORT		1	
3	00 0244 138 0	HEXAGON HEAD BOLT	M 8X18	4	1)
3	00 0236 170 0	HEXAGONAL NUT	M8	4	1)
3	00 0239 387 0	CONTACT WASHER	A8-8,2X18X1,4	4	1)
4	00 0736 235 2	BRACE		2	2)
5	00 0735 294 1	SUPPORT		1	
6	00 0237 458 0	HEXAGON HEAD BOLT	M12X20	4	
6	00 0236 172 0	HEXAGONAL NUT	M12	4	
6	00 0239 389 0	CONTACT WASHER	A12	4	
7	00 0758 713 1	TANK SUPPORT		1	3)
7	00 0735 299 0	TANK SUPPORT		1	4)
8	00 0237 382 0	HEXAGON HEAD BOLT	M10X20	4	
8	00 0236 171 0	HEXAGONAL NUT	M10	4	
8	00 0239 388 0	CONTACT WASHER	A10-10,2X22,25X1,6	4	
9	00 0736 247 2	TANK SUPPORT		1	
1)	Remarks			(2)	
2)	Remarks			(1)	
3)	Remarks			from No. 45302442	
4)	Remarks			to No. 45302441	

324

Lexion 430 - 415



CLAAS

116352

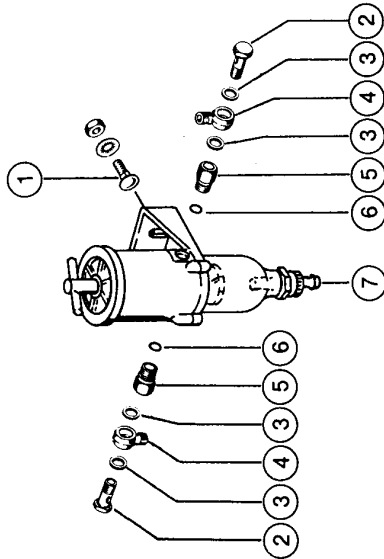
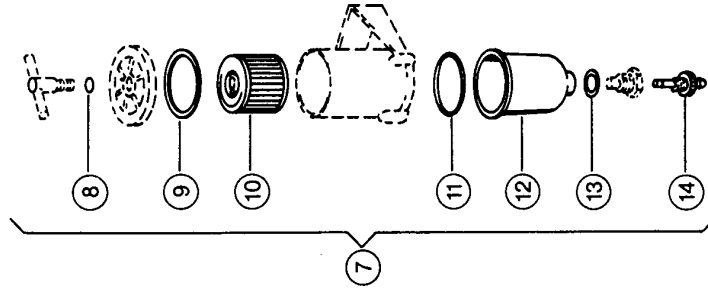
FUEL TANK

Pos.	Part No.	Description	Dimension	Quantity	Conditions
1	00 0624 003 1	CAP	DV 80 GL	1	
1	00 0177 621 0	CAP	D80 BELUEFTET, ABSCHLIES	1	1)
1	00 0177 622 0	SPARE KEY	C5	1	2)
2	00 0736 238 0	TANK FILTER		1	
3	00 0735 292 2	FUEL TANK	500 L	1	3)
4	00 0736 256 2	THREADED INSET	6KT32X48	2	
5	00 0215 956 1	O-RING	18,4X5,33-N	2	
6	00 0672 996 0	GASKET		1	
7	00 0735 293 0	LEVEL INDICATOR		1	4)
8	00 0215 958 1	FLAT SEAL RING	30X40X3	1	
9	00 0687 607 0	DRAIN SCREW	M33X2	1	
10	00 0687 625 1	HEXAGON HEAD BOLT	M8X17 F. TANK WASSERABLA	1	
11	00 0233 131 0	WASHER	28X 42X 1	2	5)

1) Remarks	Lockable
2) Remarks	FUER 177621.0
3) Remarks	with Item 1, 2
4) Remarks	with Item 6
5) Remarks	from No. 45300947

325

CLAAS



Lexion 430 — 415

116353

ADDITIONAL FUEL FILTER 1)

Pos.	Part No.	Description	Dimension	Quantity	Conditions
1	00 0234 953 0	COACH BOLT	M8X20X13	2	
1	00 0236 170 0	HEXAGONAL NUT	M8	2	
1	00 0239 387 0	CONTACT WASHER	A8-8,2X18X1,4	2	
2	00 0096 029 0	HOLLOW SCREW	10 - 3 - M14X1,5	2	
3	00 0633 114 1	FLAT SEAL RING	D 14X20X1,5	4	
4	00 0215 168 0	RING PIECE	E10-10	2	
5	00 0723 650 0	SCREW UNION	6KT19X27,5	2	
6	00 0238 191 0	O-RING	11,3 X2,4 -N	2	
7	00 0723 646 0	SEPARATOR		1	
8	00 0211 091 2	O-RING	12 X 2 NBR 80	1	
9	00 0723 699 0	GASKET	F. RACOR 500 FG	1	
10	00 0723 697 1	SIEVE INSERT		1	
11	00 0723 696 0	O-RING	85 X3,55	1	
12	00 0723 695 0	INSPECTION GLASS		1	
13	00 0723 694 1	GASKET	RACOR 500/900 FG	1	
14	00 0723 693 0	DRAIN SCREW		1	

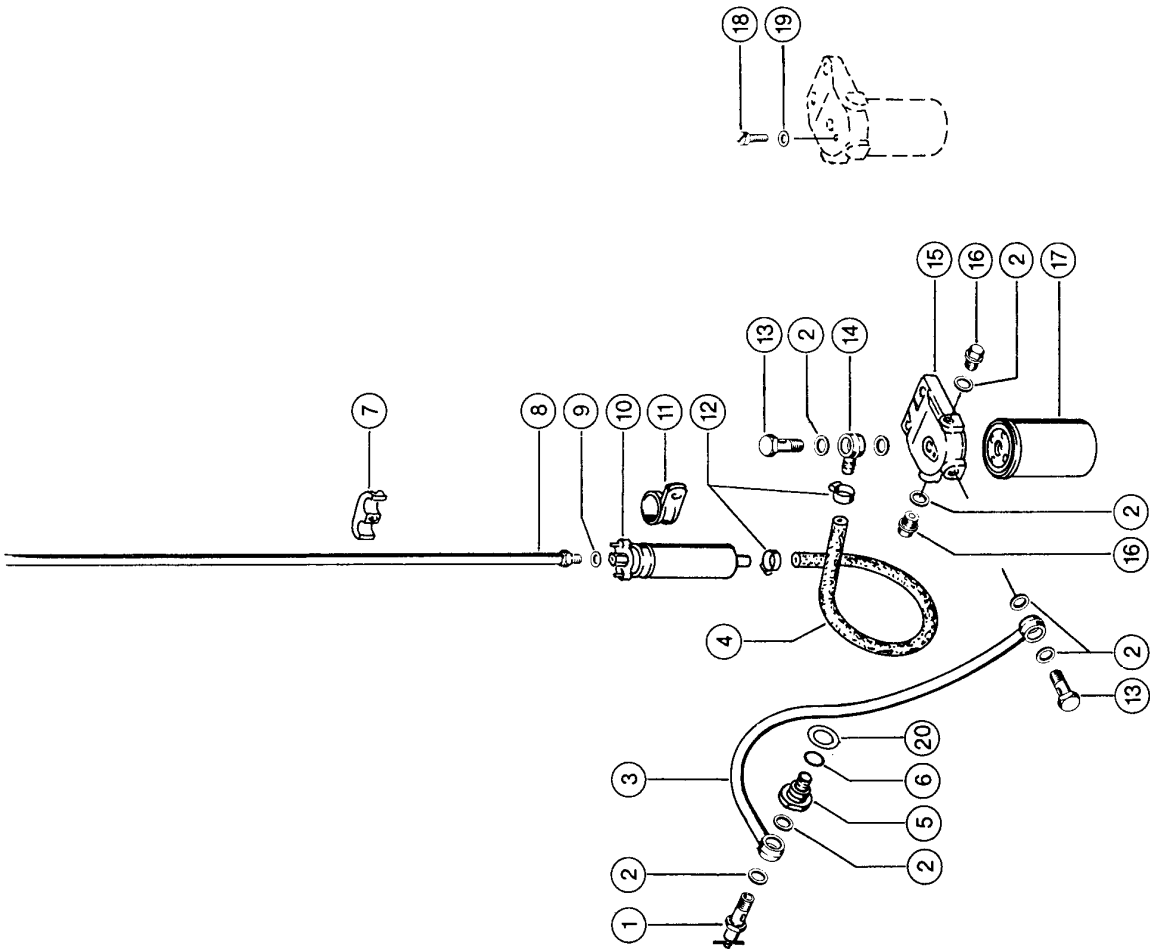
1) Remarks

P 06 / 10

Option

326

Lexion 430 — 415



CLAAS

116354

FUEL SYSTEM

Pos.	Part No.	Description	Dimension	Quantity	Conditions
1	00 0723 651 0	HOLLOW SCREW		1	
2	00 0633 114 1	FLAT SEAL RING	D 14X20X1,5	8	
3	00 0649 148 0	FUEL PIPE		1	
3	00 0239 331 0	CONNECTION	R14- 8	2	
4	00 0205 524 2	HOSE	11X3,5 ROLLE, LSN NOTWEN	1	1)
4	00 0205 612 0	HOSE	TYP E 9X15	1	2)
5	00 0736 256 1	THREADED INSET	6KT32X48	1	
6	00 0215 956 1	O-RING	18,4X5,33-N	1	
7	00 0723 500 0	DOUBLE CLAMP	B 10	2	
8	00 0668 345 0	FUEL PIPE	3400 LG	1	3)
8	00 0669 311 0	FUEL PIPE		1	4)
9	00 0244 842 0	SEALING RING	A10 X14	1	3)
9	00 0408 551 0	HOSE CLAMP	W.ERS.D.4085511	1	4)
10	00 0761 153 0	ELECTR. FUEL PUMP		1	5)
10	00 0657 836 1	ELECTR. FUEL PUMP	DIESEL U. RME	1	6)
10	00 0649 503 2	FUEL PUMP	12V	1	4)
11	00 0211 239 0	HOLDER CLAMP	D1-43X25	1	
12	00 0408 552 2	HOSE CLAMP	A-12-22X9	2	
13	00 0096 029 0	HOLLOW SCREW	10 - 3 - M14X1,5	2	
14	00 0215 168 0	RING PIECE	E10-10	1	
15	00 0656 504 2	COVER		1	
16	00 0633 154 0	SCREW PLUG	M14X1,5	2	
17	00 0649 500 1	FUEL FILTER		1	
18	00 0656 502 1	BREATHER SCREW	M6X 10-MOD	1	
19	00 0233 416 0	SEALING RING	A 6X10X1	1	
20	00 0233 131 0	WASHER	28X 42X 1	1	7)

1) Remarks 450 long
at Mercedes-motor

2) Remarks 430 long
at Perkins-motor

3) Remarks at Mercedes-motor

4) Remarks at Perkins-motor

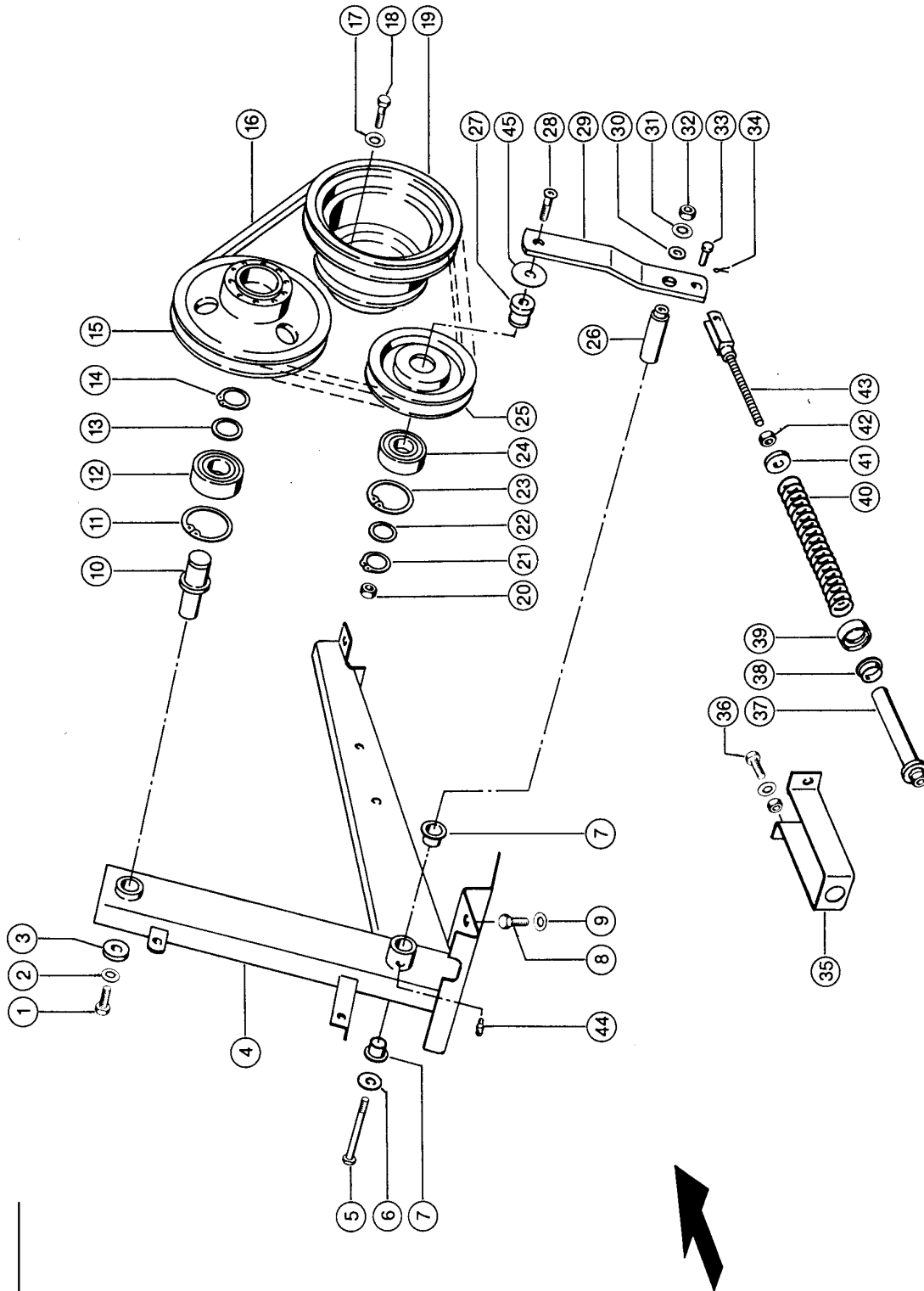
5) Remarks at Mercedes-motor
from no. 45302317

6) Remarks at Mercedes-motor
to No. 45302316

7) Remarks from No. 45300947

207

CLAAS



Lexion 430 - 415

111499

DRIVE GP-FAN 1)

Pos.	Part No.	Description	Dimension	Quantity	Conditions
1	00 0237 423 0	HEXAGON HEAD BOLT	M10X28	1	
2	00 0239 388 0	CONTACT WASHER	A10-10,2X22,25X1,6	1	
3	00 0665 840 0	WASHER	10,5X40X5	1	
4	00 0752 253 0	FAN SUPPORT		1	
5	00 0090 028 0	HEXAGON HEAD BOLT	M10X110	1	
6	00 0234 277 0	WASHER	11X37X2	1	
7	00 0008 545 0	BEARING BUSH	26X30X15	2	
8	00 0237 383 0	HEXAGON HEAD BOLT	M10X25	4	
9	00 0239 388 0	CONTACT WASHER	A10-10,2X22,25X1,6	4	
10	00 0668 165 1	AXLE	D45X105,4	1	
11	00 0236 318 0	CIRCLIP	80X2,5	1	
12	00 0215 960 0	ANG. BALL BEARING	3307-2RS -35X80X34,9	1	
13	00 0234 385 0	BACK-UP WASHER	S 35X45	1	
14	00 0235 164 0	CIRCLIP	35X1,5	1	
15	00 0668 163 0	FAN HUB	D250X92,1	1	
16	00 0667 242 0	V-BELT		1	
17	00 0242 763 1	WASHER	10 -10,2X16,1X2,5	6	2)
17	00 0215 560 0	SPRING WASHER	11,3X19,7X3,95	4	3)
18	00 0242 243 0	SOCKET HEAD SCREW	M10X45	6	2)
18	00 0238 417 0	HEXAGON HEAD SCREW	7/16-20X1 3/4	4	3)
19	00 0668 393 0	V-BELT PULLEY	D231X127	1	2)
19	00 0668 589 0	V-BELT PULLEY	D 210X135,2	1	3)
20	00 0236 171 0	HEXAGONAL NUT	M10	1	
21	00 0235 163 0	CIRCLIP	30X1,5	1	
22	00 0236 771 1	SHIM	30X42X1,5	1	
23	00 0235 186 0	CIRCLIP	72X2,5	1	
24	00 0215 048 0	GRVD.BALL BEARING	6306-2RS*-C3	1	
25	00 0668 168 1	V-BELT PULLEY	D170X31,5	1	
26	00 0668 167 0	BEARING BOLT	D26X91	1	
27	00 0668 166 1	BEARING BOLT	D35X31,6	1	
28	00 0239 411 0	COUNTERSUNK BOLT	M10X 50-MKL	1	
29	00 0668 169 0	LEVER	40X8X306,4	1	
30	00 0234 326 0	WASHER	11X26X3	1	
31	00 0239 388 0	CONTACT WASHER	A10-10,2X22,25X1,6	1	
32	00 0236 171 0	HEXAGONAL NUT	M10	1	
33	00 0632 133 0	PIN	B-10A12X28X4,5	1	
34	00 0235 089 0	SPLIT PIN	4 X 22	1	
35	00 0668 157 1	SUPPORT		1	
36	00 0237 382 0	HEXAGON HEAD BOLT	M10X20	2	
36	00 0236 171 0	HEXAGONAL NUT	M10	2	
36	00 0239 388 0	CONTACT WASHER	A10-10,2X22,25X1,6	2	
37	00 0724 103 1	SPRING GUIDE		1	
38	00 0673 665 0	BUSHING	30X34X6	1	
39	00 0661 302 1	THRUST COLLAR	D50 X12,5	1	
40	00 0629 579 0	COMPRESS.SPRING	5,6 X 36 X272	1	
41	00 0234 377 0	WASHER	13X40X6	1	
42	00 0236 172 0	HEXAGONAL NUT	M12	1	
43	00 0629 571 0	THREADED FORK		1	
44	00 0236 942 0	GREASE NIPPLE	A S6X1	1	
45	00 0239 071 0	WASHER	10,5X 60 X1	1	4)

1) Remarks

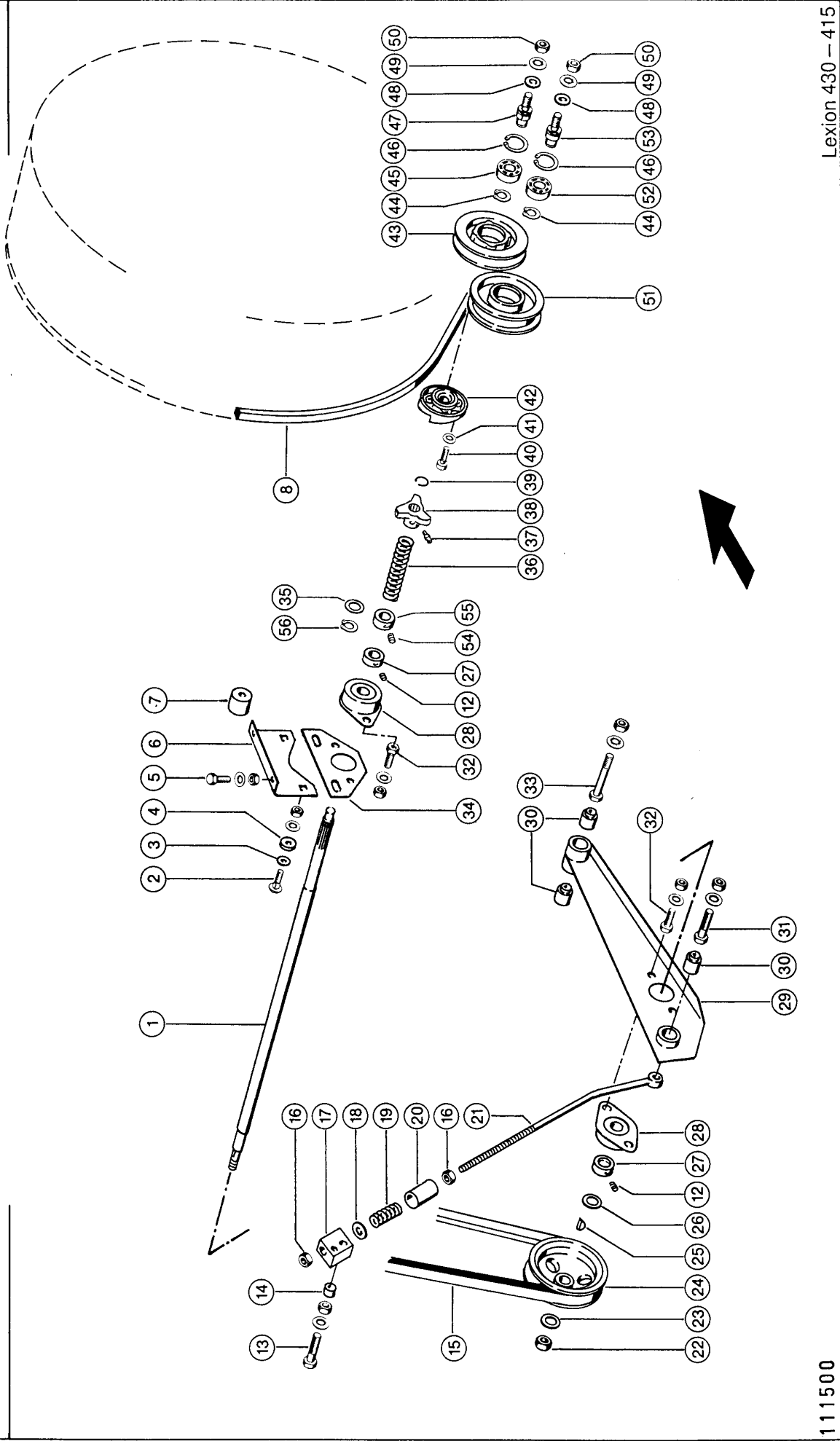
P 02 / 340 = 176 Kw Mercedes
P 02 / 335 = 162 Kw Mercedes
P 02 / 330 = 147 Kw Perkins

DRIVE GP-FAN 1)

2) Remarks	at Mercedes motor
3) Remarks	at Perkins motor
4) Remarks	from No. 45300757

208

CLAAS



Lexion 430 - 415

111500

ROTARY SCREEN DRIVE 1)

Pos.	Part No.	Description	Dimension	Quantity	Conditions
1	00 0668 391 2	TOOTH SHAFT	D26X761	1	2)
1	00 0668 548 2	TOOTH SHAFT	D 26X694	1	3)
2	00 0233 503 0	COACH BOLT	M 8X 25	2	4)
2	00 0235 361 0	COACH BOLT	M 8X 55	2	5)
2	00 0236 170 0	HEXAGONAL NUT	M8	2	
2	00 0239 387 0	CONTACT WASHER	A8-8,2X18X1,4	2	
3	00 0234 283 0	WASHER	13 X 26 X2	2	4)
4	00 0233 577 0	WASHER	8,5X30X5	2	
5	00 0237 439 0	HEXAGON HEAD BOLT	M8X16	2	4)
5	00 0236 170 0	HEXAGONAL NUT	M8	2	4)
5	00 0239 387 0	CONTACT WASHER	A8-8,2X18X1,4	2	4)
6	00 0752 190 0	SUPPORT ANGLE	2,5X0104X0162	1	4)
7	00 0752 225 0	SPACER PIECE	D40XD13X33	2	5)
8	00 0667 561 1	V-BELT		1	
8	00 0146 902 0	V-BELT		1	
12	00 0213 823 0	THREADED PIN	M 6X0,75X6	2	
13	00 0235 555 0	HEXAGON HEAD BOLT	M12X55	1	
13	00 0236 172 0	HEXAGONAL NUT	M12	1	
13	00 0239 389 0	CONTACT WASHER	A12	1	
14	00 0904 088 0	BUSHING	12,8X20X12	1	
15	00 0667 673 0	V-BELT		1	
16	00 0236 172 0	HEXAGONAL NUT	M12	2	
17	00 0609 370 1	TIGHTENING PIECE	42X42X22	1	
18	00 0233 193 0	WASHER	12,2X30X3	1	
19	00 0817 748 0	COMPRESS.SPRING	3,5X17,5X50	1	
20	00 0668 185 0	SPACER SLEEVE	D30X46	1	
21	00 0668 152 0	EYE BOLT	AM12X420X170	1	
22	00 0211 045 1	LOCK NUT	M16X1,5	1	
23	00 0235 127 2	WASHER	16 - 17X30X3	1	
24	00 0668 193 0	V-BELT PULLEY	D149,2X60	1	
25	00 0244 816 0	WOODRUFF KEY	5 X 7,5 X 19	1	
26	00 0233 340 0	WASHER	17X26X3	1	
27	00 0619 287 1	ECCENTRIC LOCKING COLLAR	20	2	
28	00 0215 961 1	FLANGE BEARING	RCSMF 20 FA115	2	6)
29	00 0668 184 0	BEARING PLATE		1	7)
30	00 0656 870 0	MEGU BUSHING	D12XD30X28	3	
31	00 0235 555 0	HEXAGON HEAD BOLT	M12X55	1	
31	00 0236 172 0	HEXAGONAL NUT	M12	1	
31	00 0239 389 0	CONTACT WASHER	A12	1	
32	00 0244 820 0	SOCKET HEAD SCREW	M10X 20	4	
32	00 0236 171 0	HEXAGONAL NUT	M10	4	
32	00 0239 388 0	CONTACT WASHER	A10-10,2X22,25X1,6	4	
33	00 0235 561 0	HEXAGON HEAD BOLT	M12X85	1	
33	00 0236 172 0	HEXAGONAL NUT	M12	1	
33	00 0239 389 0	CONTACT WASHER	A12	1	
34	00 0752 194 0	SUPPORTING PLATE	3,0X0088X0174	1	4)
34	00 0668 183 3	BEARIN.PLAT.FRONT	3X103X162	1	5)
35	00 0238 312 0	BACK-UP WASHER	S 20X28	1	8)
36	00 0654 052 0	COMPRESS.SPRING		1	
37	00 0236 942 0	GREASE NIPPLE	A S6X1	1	
38	00 0752 293 1	COUPLER		1	9)
38	00 0668 188 2	COUPLER		1	8)
39	00 0239 021 0	SNAP RING	A 20	1	
40	00 0216 038 0	HEX. SOCKET CHEESE-HEAD SCREW	M 6X16-MKL	4	

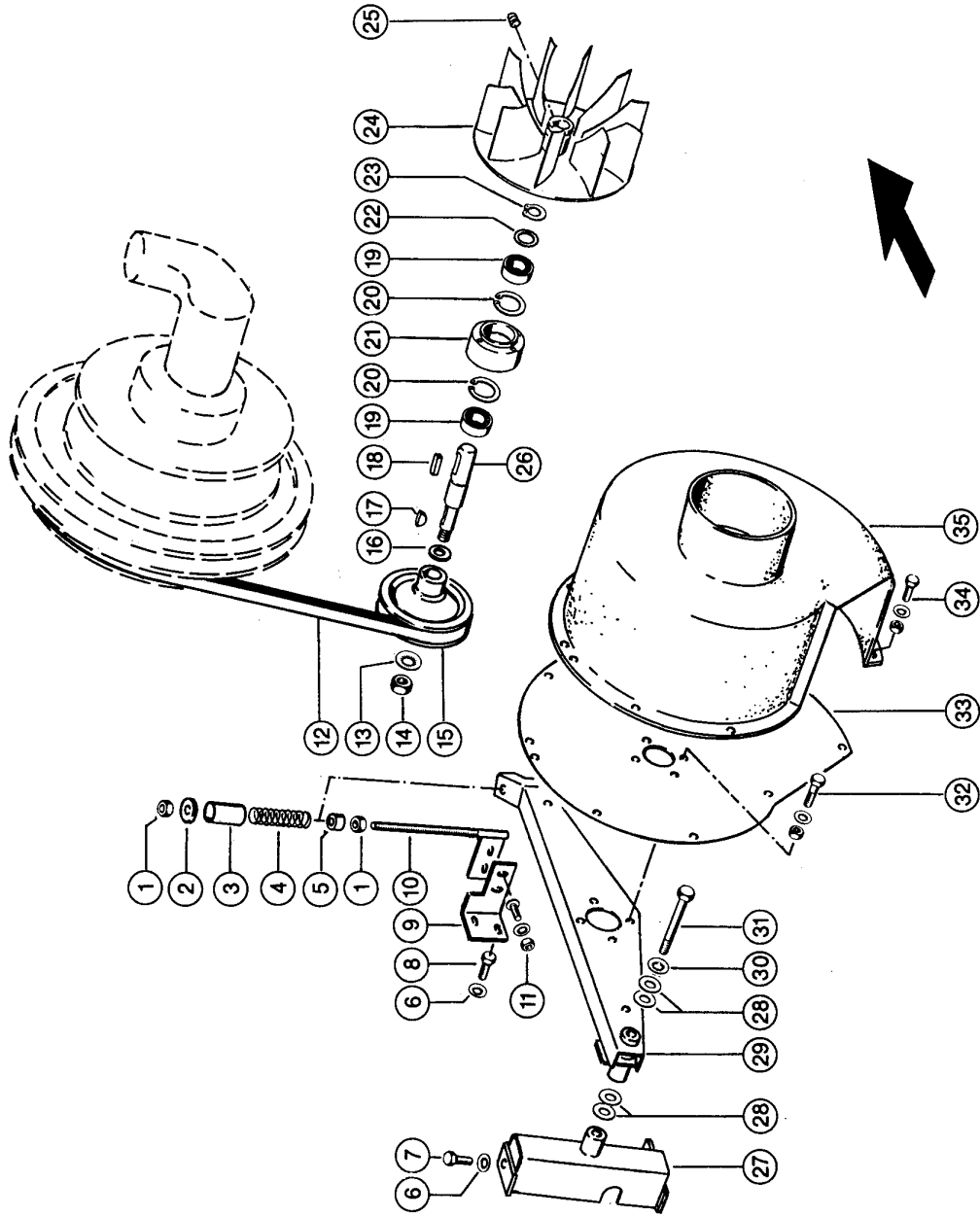
ROTARY SCREEN DRIVE 1)

Pos.	Part No.	Description	Dimension	Quantity	Conditions
41	00 0211 196 0	WASHER	6	4	
42	00 0752 286 0	SHIFT DOG	D82X28	1	9)
42	00 0668 150 0	SHIFT DOG		1	8)
43	00 0668 194 0	V-BELT PULLEY	D128X20	1	
44	00 0235 155 0	CIRCLIP	20X1,2	2	
45	00 0215 540 0	GRVD.BALL BEARING	6204-2RS*-C3	1	
46	00 0235 181 0	CIRCLIP	20X47X14	2	
47	00 0668 195 1	BEARING BOLT	47X1,75	2	
48	00 0233 193 0	WASHER	SK27X52	1	
48	00 0233 193 0	WASHER	12,2X30X3	2	
49	00 0239 389 0	CONTACT WASHER	A12	2	
50	00 0236 172 0	HEXAGONAL NUT	M12	2	
51	00 0783 252 1	TENSION PULLEY		1	
52	00 0235 872 0	GRVD.BALL BEARING	6204-RS*	1	
53	00 0807 551 0	PIN	D26X50	1	
54	00 0235 867 0	THREADED PIN	M 8X 8	1	9)
55	00 0503 051 0	ADJUSTING RING	A20E 8X35X10/M8	1	9)
56	00 0235 155 0	CIRCLIP	20X1,2	1	8)

1) Remarks	P 02 / 340 = 176 Kw Mercedes P 02 / 335 = 162 Kw Mercedes P 02 / 330 = 147 Kw Perkins
2) Remarks	at Mercedes motor
3) Remarks	at Perkins motor
4) Remarks	from No. 45300042
5) Remarks	to No. 45300041
6) Remarks	with Item 27
7) Remarks	with Item 30
8) Remarks	to No. 45300946
9) Remarks	from No. 45300947

208A

Lexion 430 — 415



CLAAS

116939

Thank you so much for reading.
Please click the “Buy Now!”
button below to download the
complete manual.



After you pay.

You can download the most
perfect and complete manual in
the world immediately.

Our support email:

ebooklibonline@outlook.com