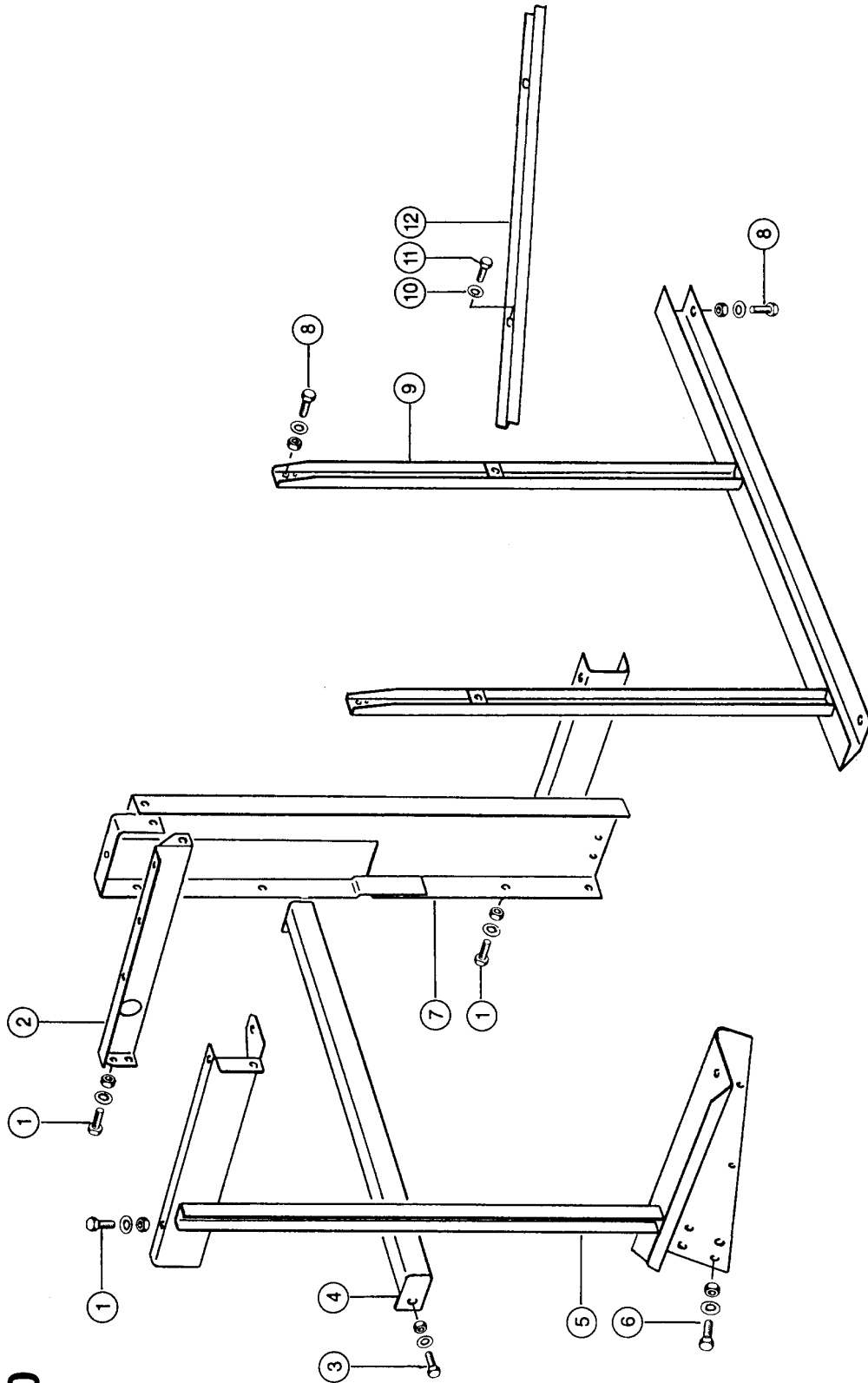


448

CLAAS

BGZ 13010



11279z00
LEXION 460-450 TERRA-TRAC

129630

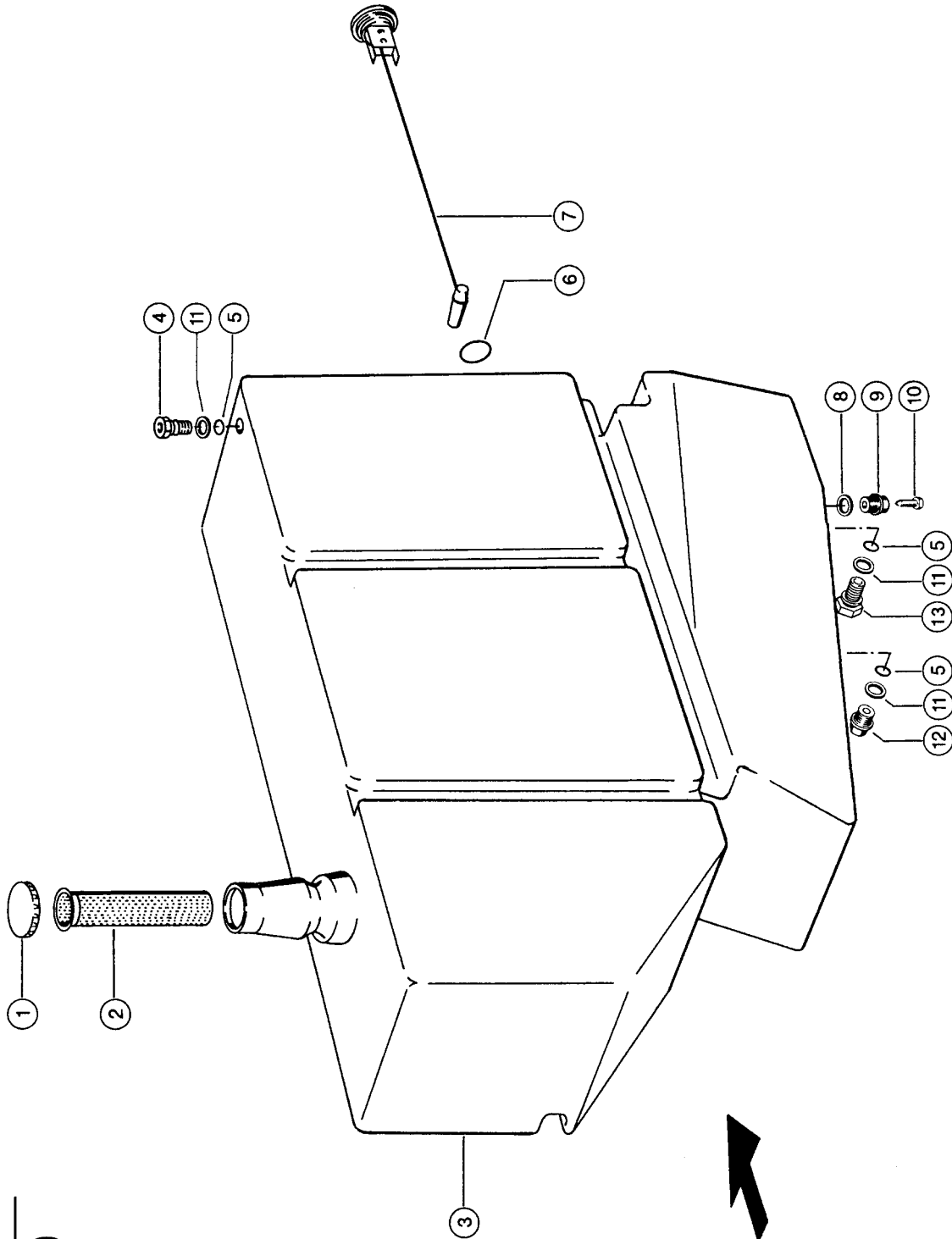
BRACKET FOR FUEL TANK

Pos.	Part No.	Description	Dimension	Quantity	Conditions
1	00 0237 570 0	HEXAGON HEAD BOLT	M10X16	8	
1	00 0236 171 0	HEXAGONAL NUT	M10	8	
1	00 0239 388 0	CONTACT WASHER	A10-10,2X22,25X1,6	8	
2	00 0751 031 0	SUPPORT		1	
3	00 0244 138 0	HEXAGON HEAD BOLT	M 8X18	4	
3	00 0236 170 0	HEXAGONAL NUT	M8	4	
3	00 0239 387 0	CONTACT WASHER	A8-8,2X18X1,4	4	
4	00 0736 235 2	BRACE		2	
5	00 0736 244 5	SUPPORT		1	
6	00 0237 458 0	HEXAGON HEAD BOLT	M12X20	4	
6	00 0236 172 0	HEXAGONAL NUT	M12	4	
6	00 0239 389 0	CONTACT WASHER	A12	4	
7	00 0755 588 1	TANK SUPPORT		1	
8	00 0237 382 0	HEXAGON HEAD BOLT	M10X20	4	
8	00 0236 171 0	HEXAGONAL NUT	M10	4	
8	00 0239 388 0	CONTACT WASHER	A10-10,2X22,25X1,6	4	
9	00 0736 247 2	TANK SUPPORT		1	
10	00 0239 388 0	CONTACT WASHER	A10-10,2X22,25X1,6	2	
11	00 0237 570 0	HEXAGON HEAD BOLT	M10X16	2	
12	00 0751 032 0	REINFORCING PLATE	3X79.6X1489	1	

603

CLAAS

BGZ 13020



11347200
LEXION 460-450 TERRA-TRAC

122343

FUEL TANK

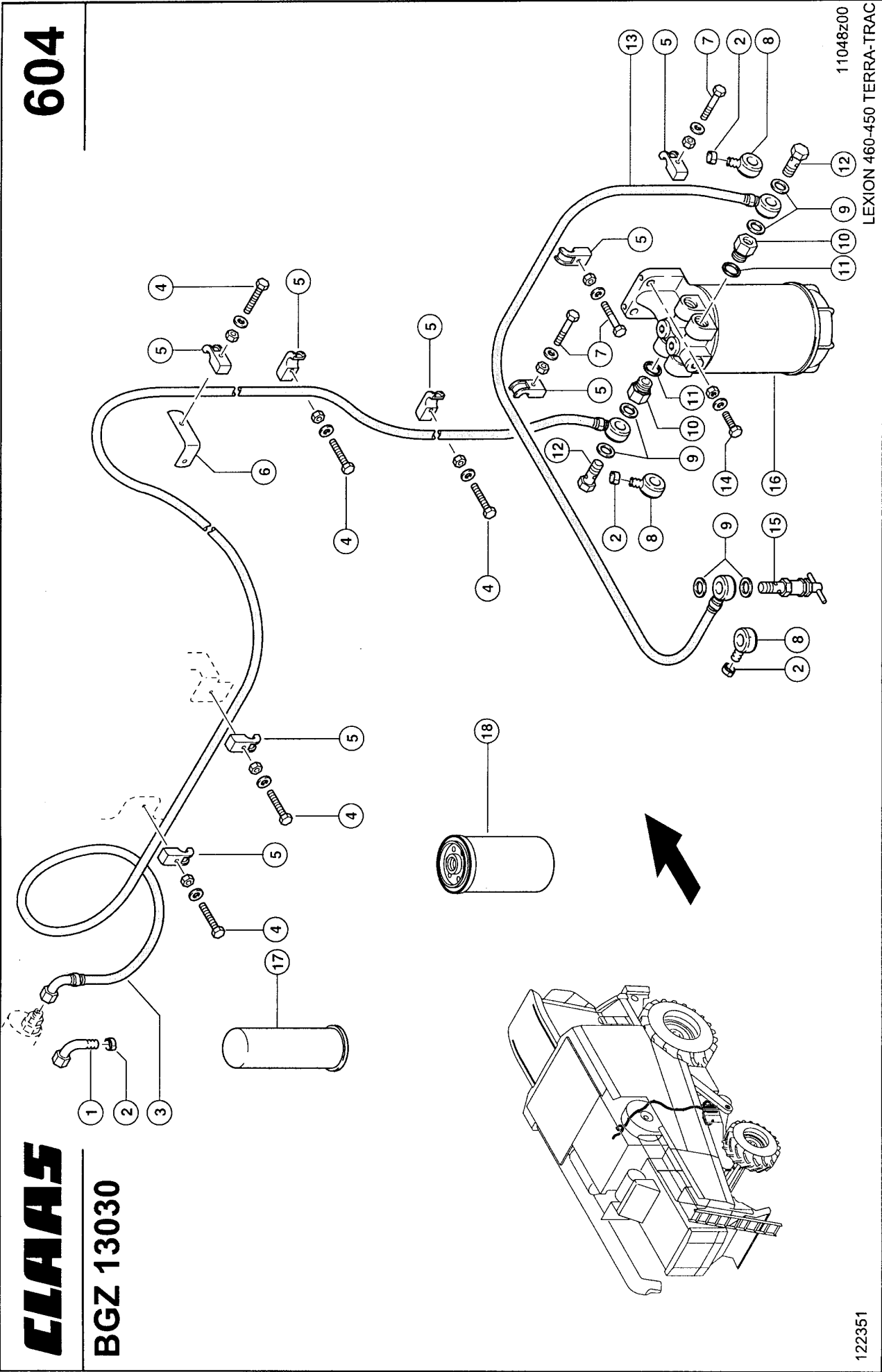
Pos.	Part No.	Description	Dimension	Quantity	Conditions
1	00 0624 003 1	CAP	DV 80 GL	1	
1	00 0177 621 0	CAP	D80 BELUEFTET, ABSCHLIES	1	1)
1	00 0177 622 0	SPARE KEY	C5	1	2)
2	00 0736 238 0	TANK FILTER		1	
3	00 0736 242 4	FUEL TANK	650 L	1	3)
3	00 0516 312 0	STICKER	DIESELTANK	1	
4	00 0736 256 2	THREADED INSET	6KT32X48	1	
5	00 0215 956 1	O-RING	18,4X5,33-N	2	4)
6	00 0672 996 0	GASKET		1	
7	00 0736 243 0	LEVEL INDICATOR		1	5)
8	00 0215 958 1	FLAT SEAL RING	30X40X3	1	
9	00 0687 607 0	DRAIN SCREW	M33X2	1	
10	00 0687 625 1	HEXAGON HEAD BOLT	M8X17 F. TANK	1	
11	00 0233 131 0	WASHER	WASSERABLA 28X 42X 1	3	4)
12	00 0758 716 0	THREADED PLUG	6KT32X48	1	6)
13	00 0758 714 0	THREADED INSET	6KT32X48	1	

1) Remarks	optional
2) Remarks	SONDERWUNSCH
3) Remarks	with Item 1, 2
4) Remarks	(3)
5) Remarks	with Item 6
6) Remarks	to No. 54700030

604

CLAAS

BGZ 13030



11048z00
LEXION 460-450 TERRA-TRAC

122351

ENGINE CAT C9; FUEL SYSTEM, FUEL COOLER 1)

Pos.	Part No.	Description	Dimension	Quantity	Conditions
1	00 0796 209 1	CONNECTION	SWE-10X12	1	
2	00 0237 814 0	2-EAR CLAMP	13-15	4	
3	00 0136 591 0	PLASTIC TUBE	15 X1,5X10000	1	2)
4	00 0242 442 0	HEXAGON HEAD BOLT	M 6X30	5	
4	00 0236 169 0	HEXAGONAL NUT	M6	5	
4	00 0239 386 0	CONTACT WASHER	A 6	5	
5	00 0715 242 0	CLAMP	A 15	8	
6	00 0077 377 0	SUPPORT	3X30X98	1	
7	00 0235 505 0	HEXAGON HEAD BOLT	M06X30	3	
7	00 0236 169 0	HEXAGONAL NUT	M6	3	
7	00 0239 386 0	CONTACT WASHER	A 6	3	
8	00 0216 458 0	CONNECTION	R16-12	3	
9	00 0216 465 0	SEALING RING	D 16X22	6	
10	00 0545 906 0	SCREW UNION	M22X1,5/M16X1,5	2	3)
11	00 0238 451 0	O-RING	19,3 X2,4 -N	2	3)
12	00 0096 030 0	HOLLOW SCREW	12 - M16X1,5 (12-3 ZULÄS	2	
13	00 0136 591 0	PLASTIC TUBE	15 X1,5X10000	1	4)
14	00 0237 442 0	HEXAGON HEAD BOLT	M8X25	2	
14	00 0236 170 0	HEXAGONAL NUT	M8	2	
14	00 0239 393 1	CONTACT WASHER	B 8 -8.2X22X1,9	1	
15	00 0761 583 1	LIMITATION VALVE	M16X1,5	1	
16	00 0796 212 1	SEPARATOR		1	5)
16	00 0796 211 0	FUEL FILTER		1	6)
17	00 0363 204 0	FUEL FILTER		1	
18	00 0363 203 0	OIL FILTER		1	

1) Remarks P 02/510 = 246 Kw / 335 Ps

2) Remarks 2700 long

3) Remarks at P 06 / 10

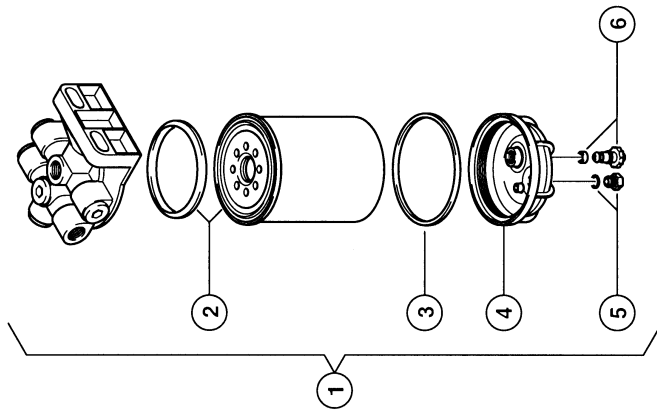
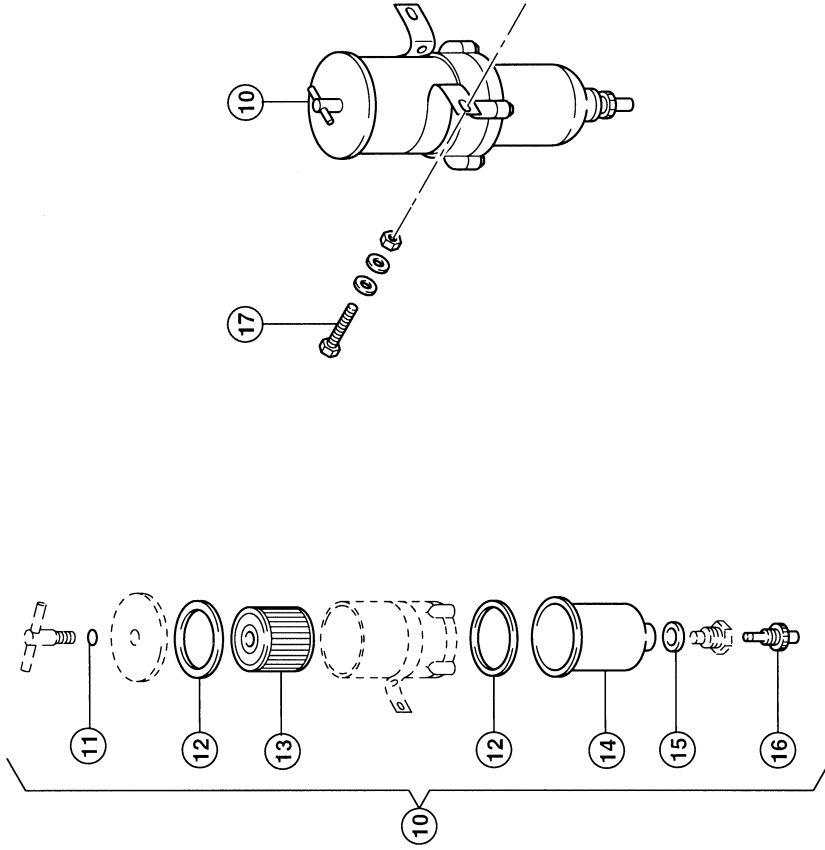
4) Remarks 570 long

5) Remarks P 06 / 10
siehe Bildtafel 604A

6) Remarks P 06 / 20
see illustration plate 604A

604A

CLAAS



11803z00
LEXION 460-450 TERRA-TRAC

142177

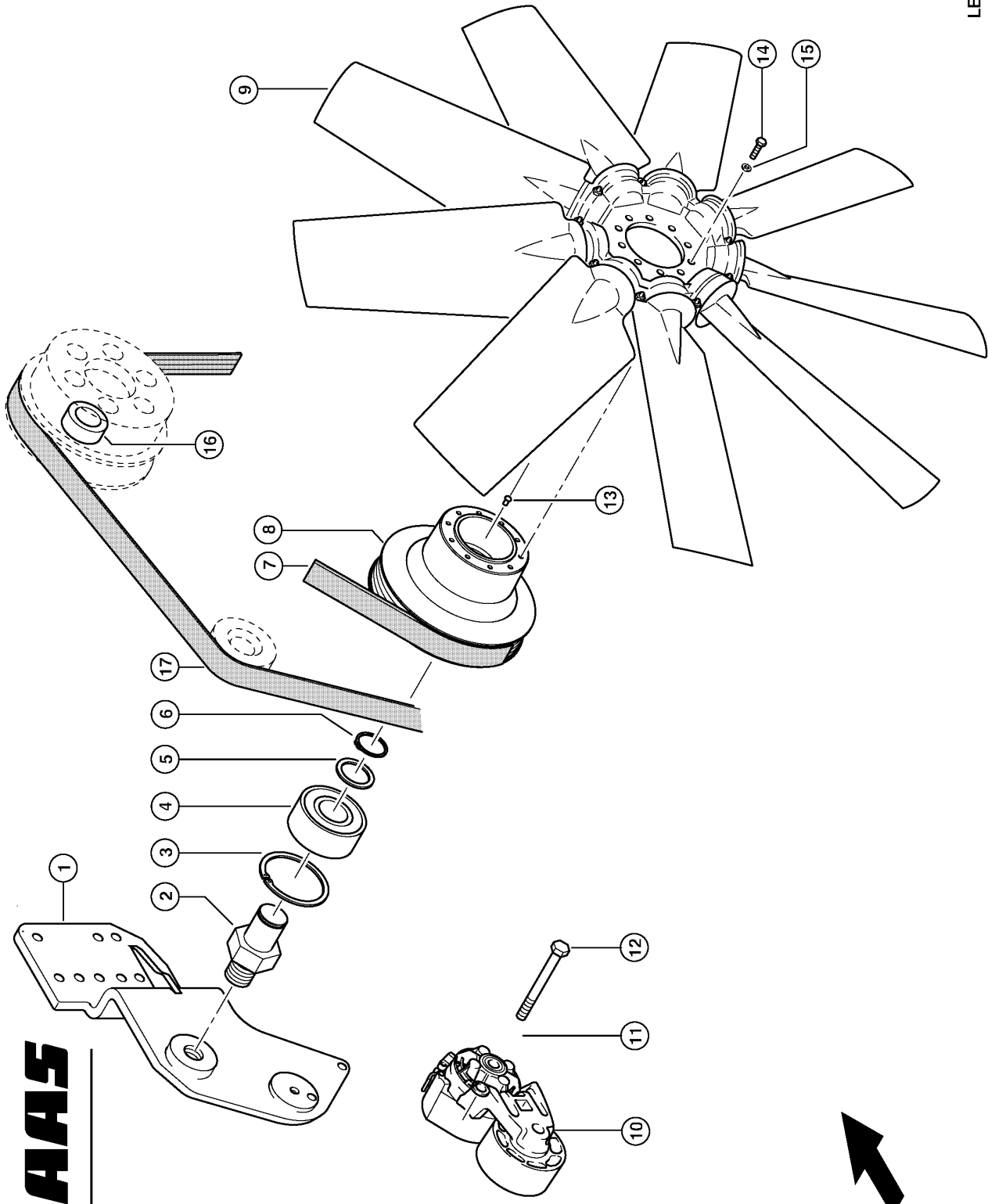
FUEL FILTER ASSEMBLIES 1)

Pos.	Part No.	Description	Dimension	Quantity	Conditions
1	00 0796 211 0	FUEL FILTER		1	2)
2	00 0796 213 0	FILTER ELEMENT		1	3)
3	00 0796 789 0	SEALING RING		1	
4	00 0796 788 0	WATER CONTAINER		1	4)
5	00 0796 791 0	SCREW PLUG		1	3)
6	00 0796 790 0	PLUG		1	3)
10	00 0796 212 1	SEPARATOR		1	5)
11	00 0211 091 2	O-RING	12 X 2 NBR 80	1	
12	00 0072 995 0	HOUSING GASKET		2	
13	00 0796 214 0	FILTER ELEMENT		1	
14	00 0072 996 0	WATER CONTAINER		1	
15	00 0723 694 1	GASKET	RACOR 500/900 FG	1	
16	00 0723 693 0	DRAIN SCREW		1	

1) Remarks	P 06 / 10 Zusatz-Filter P 06 / 20 Vorfilter Standard
2) Remarks	p06 / 20 (Item1-6) see illustration plate 604
3) Remarks	with sealing ring
4) Remarks	with Item 3, 5, 6
5) Remarks	PO6 / 10 (POS.10-17) SIEHE BILDTADEL 604

361

CLAAS



11046z02
LEXION 460-450 TERRA-TRAC



129361/02

DRIVE GP-FAN

Pos.	Part No.	Description	Dimension	Quantity	Conditions
1	00 0796 448 0	FAN SUPPORT		1	
1	00 0237 442 0	HEXAGON HEAD BOLT	M8X25	5	
1	00 0236 200 0	HEXAGON HEAD BOLT	M8X20	3	
1	00 0239 387 0	CONTACT WASHER	A8-8,2X18X1,4	8	
2	00 0350 337 0	BEARING BOLT	SECHSKANT50X100	1	
3	00 0236 318 0	CIRCLIP	80X2,5	1	
4	00 0215 960 0	ANG. BALL BEARING	3307-2RS -35X80X34,9	1	
5	00 0234 385 0	BACK-UP WASHER	S 35X45	1	
6	00 0235 164 0	CIRCLIP	35X1,5	1	
7	00 0796 450 0	V-RIBBED BELT		1	
8	00 0796 184 0	V-BELT PULLEY	D176X117.6	1	
9	00 0796 442 0	ROTOR	813/12-12/P5ZL/32, 5/PAG/	1	1)
9	00 0668 384 2	AXIAL FLOW FAN	813/9-9/P5ZL/35/PAG /75/-	1	2)
10	00 0796 449 0	BELT TENSIONER	25.4NM-36GRAD	1	
11	00 0239 388 0	CONTACT WASHER	A10-10,2X22,25X1,6	1	
12	00 0235 540 0	HEXAGON HEAD BOLT	M10X80	1	
13	00 0244 548 0	NOTCHED NAIL	3 X 5	1	
14	00 0237 467 0	HEXAGON HEAD BOLT	M 6X22	10	
15	00 0239 386 0	CONTACT WASHER	A 6	10	
16	00 0217 408 0	ANG. BALL BEARING	F-560477-39X68X37 - ZWEI	1	
17	00 0796 474 0	V-RIBBED BELT		1	

1) Remarks from No. 54700014

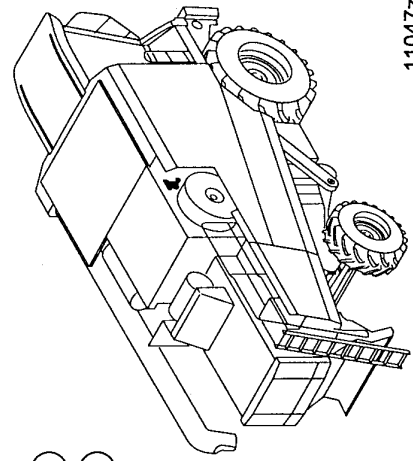
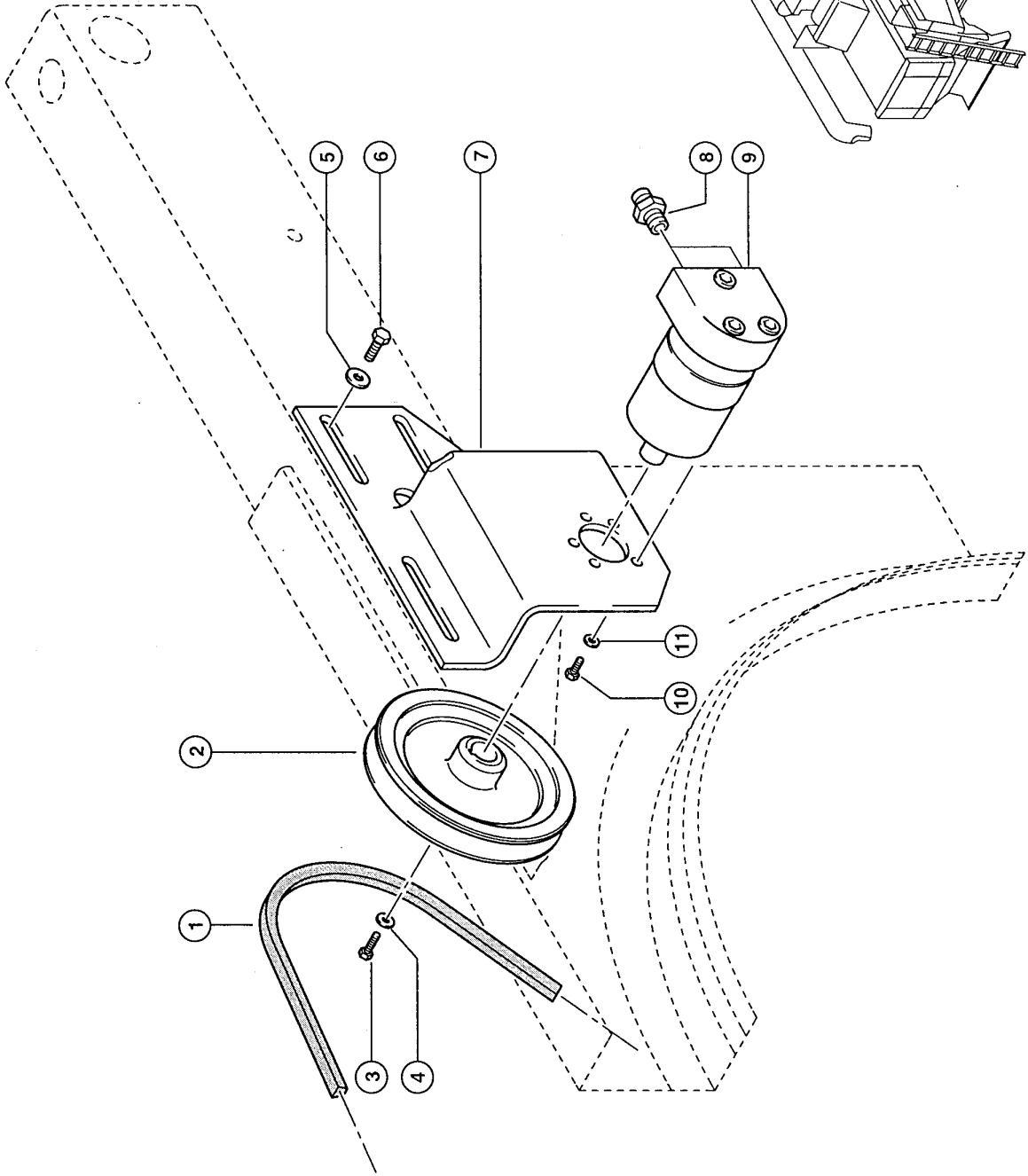
2) Remarks to No. 54700013

362

CLAAS

BGZ 09210

11047z00
LEXION 460-450 TERRA-TRAC



129367

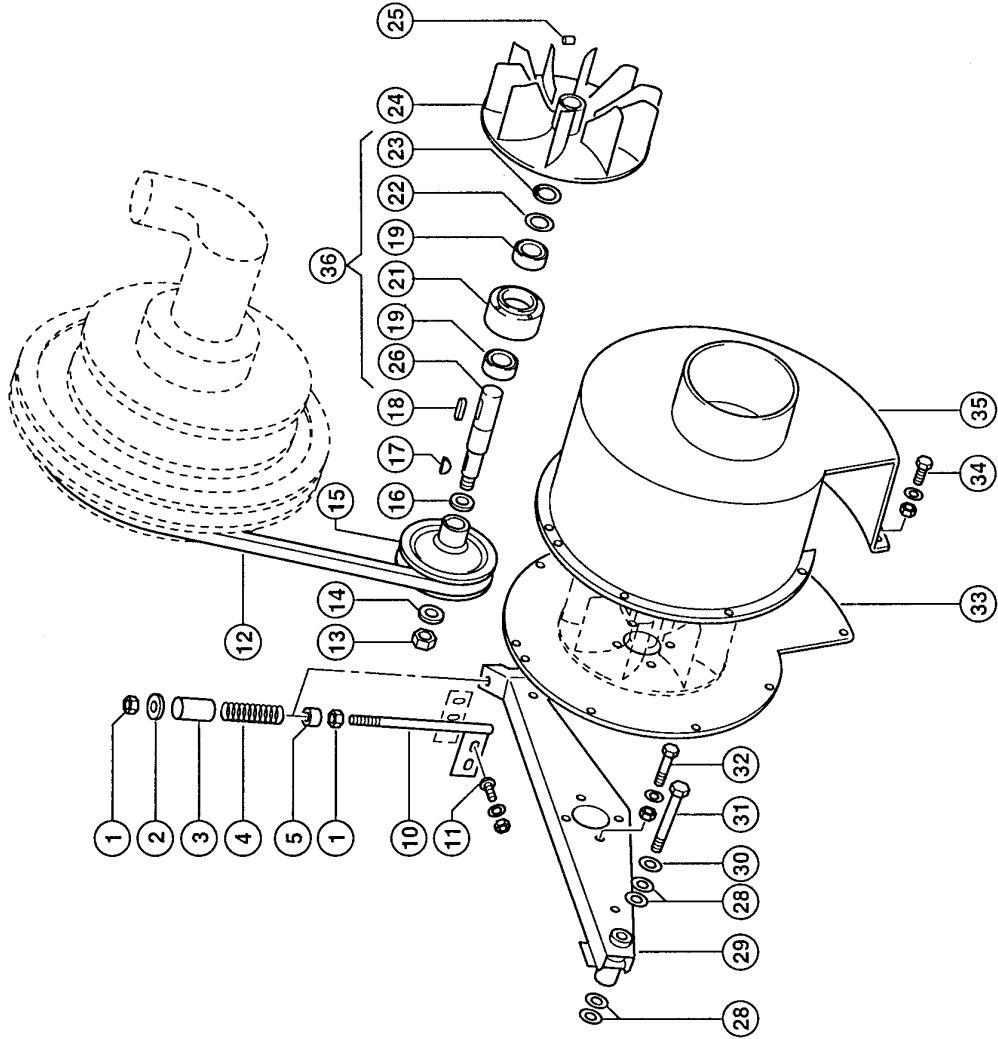
ROTARY SCREEN DRIVE

Pos.	Part No.	Description	Dimension	Quantity	Conditions
1	00 0545 689 0	V-BELT		1	
2	00 0761 690 1	V-BELT PULLEY		1	
3	00 0237 465 0	HEXAGON HEAD BOLT	M6X16	1	
4	00 0236 823 0	WASHER	6,5X30X3	1	
5	00 0239 393 1	CONTACT WASHER	B 8 -8.2X22X1,9	3	
6	00 0236 200 0	HEXAGON HEAD BOLT	M8X20	3	
7	00 0761 722 0	SUPPORT	4X268X195	1	
8	00 0238 784 0	STRAIGHT MALE CONNECTOR	SDS-L10XG3/8A-TYPE 2 B	2	
9	00 0633 922 0	HYDRAULIC MOTOR	OMM 12,5	1	
9	00 0544 924 0	SEAL KIT	OMM XXX DANFOSS	1	
10	00 0237 465 0	HEXAGON HEAD BOLT	M6X16	3	
11	00 0239 386 0	CONTACT WASHER	A 6	3	

363

CLAAS

BGZ 09210



11050z01
LEXION 460-450 TERRA-TRAC



129374/01

DRI.F.SUCTION BLOWER-RADIAT.CHAFF SCREEN

Pos.	Part No.	Description	Dimension	Quantity	Conditions
0	00 0644 782 1	SUCTION FAN	S	1	1)
1	00 0236 171 0	HEXAGONAL NUT	M10	2	
2	00 0234 364 0	WASHER	11X26X4	1	
3	00 0644 810 0	TUBE	25X3X58	1	
4	00 0653 793 1	COMPRESS.SPRING	2,8 X 15 X 75	1	
5	00 0721 534 0	SPACER	D20 X 10,2	1	
10	00 0644 825 0	TENSIONER		1	
11	00 0234 953 0	COACH BOLT	M8X20X13	2	
11	00 0236 170 0	HEXAGONAL NUT	M8	2	
11	00 0239 387 0	CONTACT WASHER	A8-8,2X18X1,4	2	
12	00 0644 781 0	V-BELT		1	
13	00 0233 324 0	HEXAGONAL NUT	M16X1,5	1	
14	00 0239 391 0	CONTACT WASHER	A16	1	
15	00 0644 814 0	V-BELT PULLEY	D108,6X48,5	1	
16	00 0215 210 0	BACK-UP WASHER	S 17X24X1,5	1	
17	00 0244 816 0	WOODRUFF KEY	5 X 7,5 X 19	1	
18	00 0951 003 4	PARALLEL KEY	A 6X 6X 32	1	
19	00 0216 039 0	GRVD.BALL BEARING	6004-2RS*-C3	2	
21	00 0657 697 1	BEARING HOUSING	D75X34	1	
22	00 0238 312 0	BACK-UP WASHER	S 20X28	1	
23	00 0235 155 0	CIRCLIP	20X1,2	1	
24	00 0657 693 2	FAN WHEEL		1	
25	00 0238 503 0	THREADED PIN	M 8X12	1	
26	00 0657 698 1	SHAFT	D20,15X119,5	1	
28	00 0234 284 0	WASHER	13X30,0X2	4	
29	00 0644 816 0	SUPPORT		1	
30	00 0239 389 0	CONTACT WASHER	A12	1	
31	00 0235 563 0	HEXAGON HEAD BOLT	M12X100	1	
32	00 0235 241 1	HEXAGON HEAD BOLT	M06X40	4	
32	00 0236 169 0	HEXAGONAL NUT	M6	4	
32	00 0235 131 1	SPRING WASHER	6 -6,1X11,8X1,3	4	
33	00 0657 676 1	BACK PANEL	1,5X0458X0389	1	
34	00 0237 465 0	HEXAGON HEAD BOLT	M6X16	9	
34	00 0237 983 0	HEXAGONAL NUT	M6	9	
34	00 0239 386 0	CONTACT WASHER	A 6	9	
35	00 0657 667 4	FAN HOUSING		1	
36	00 0796 675 0	BEARING SHAFT		1	2)

1) Remarks

MONTIERT

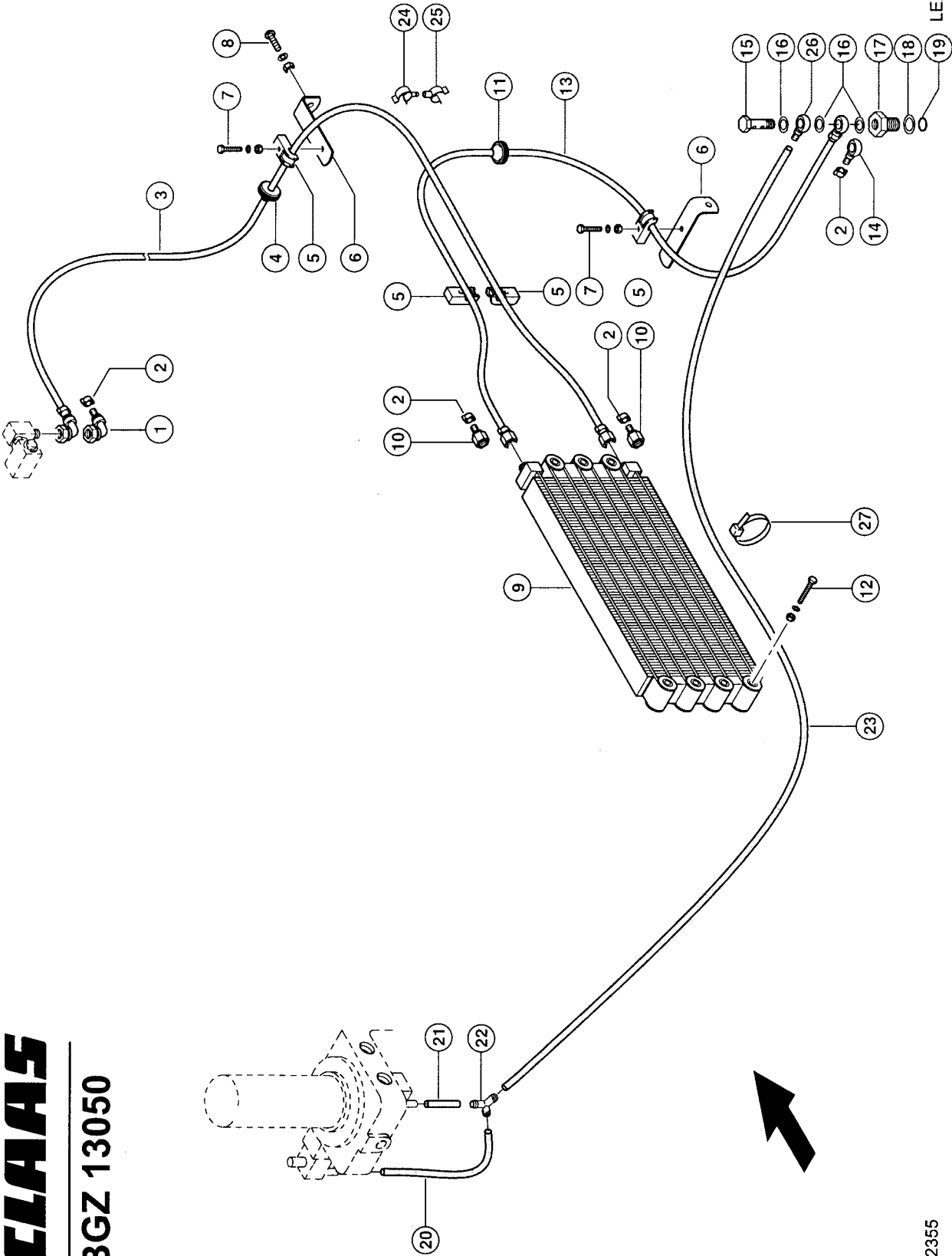
2) Remarks

with Item 19-23, 26

605

CLAAS

BGZ 13050



11032z01
LEXION 460-450 TERRA-TRAC

122355

Thank you so much for reading.
Please click the “Buy Now!”
button below to download the
complete manual.



After you pay.

You can download the most
perfect and complete manual in
the world immediately.

Our support email:

ebooklibonline@outlook.com