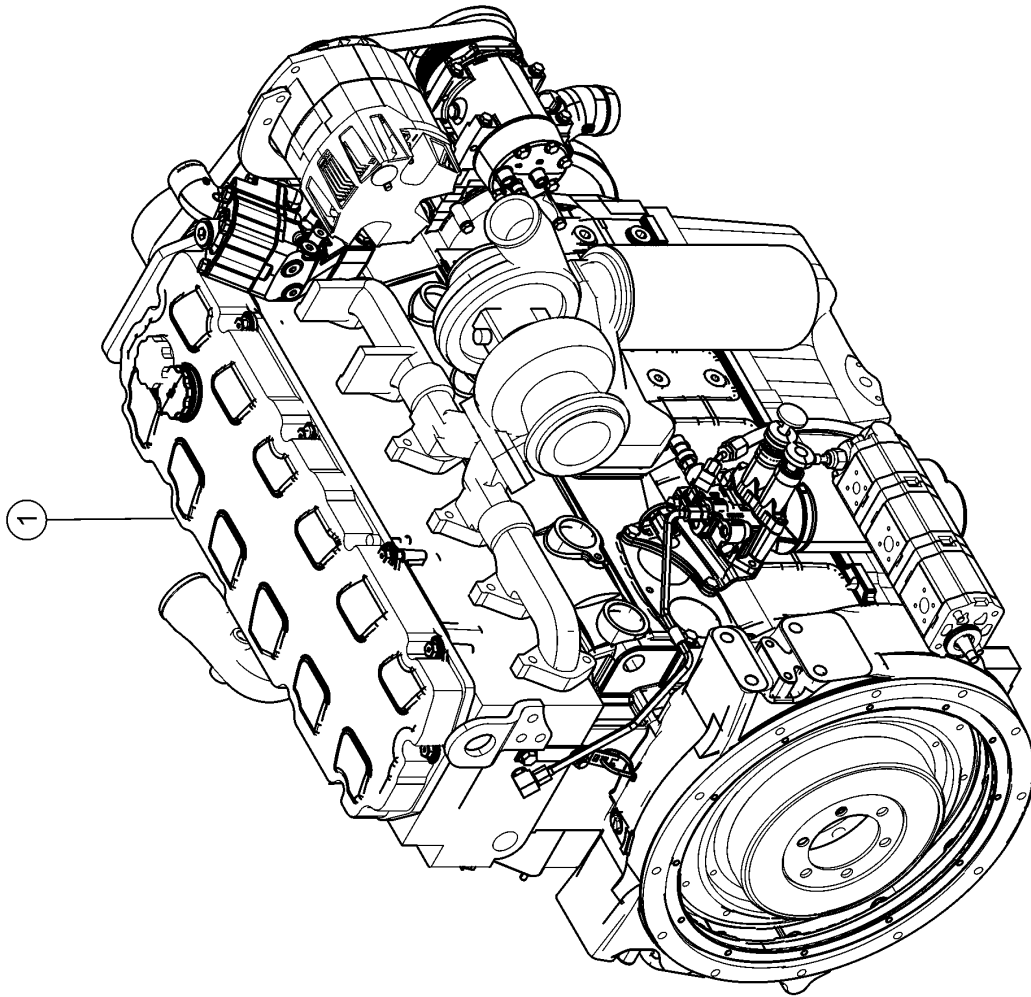


1000

17623z00



LEXION®

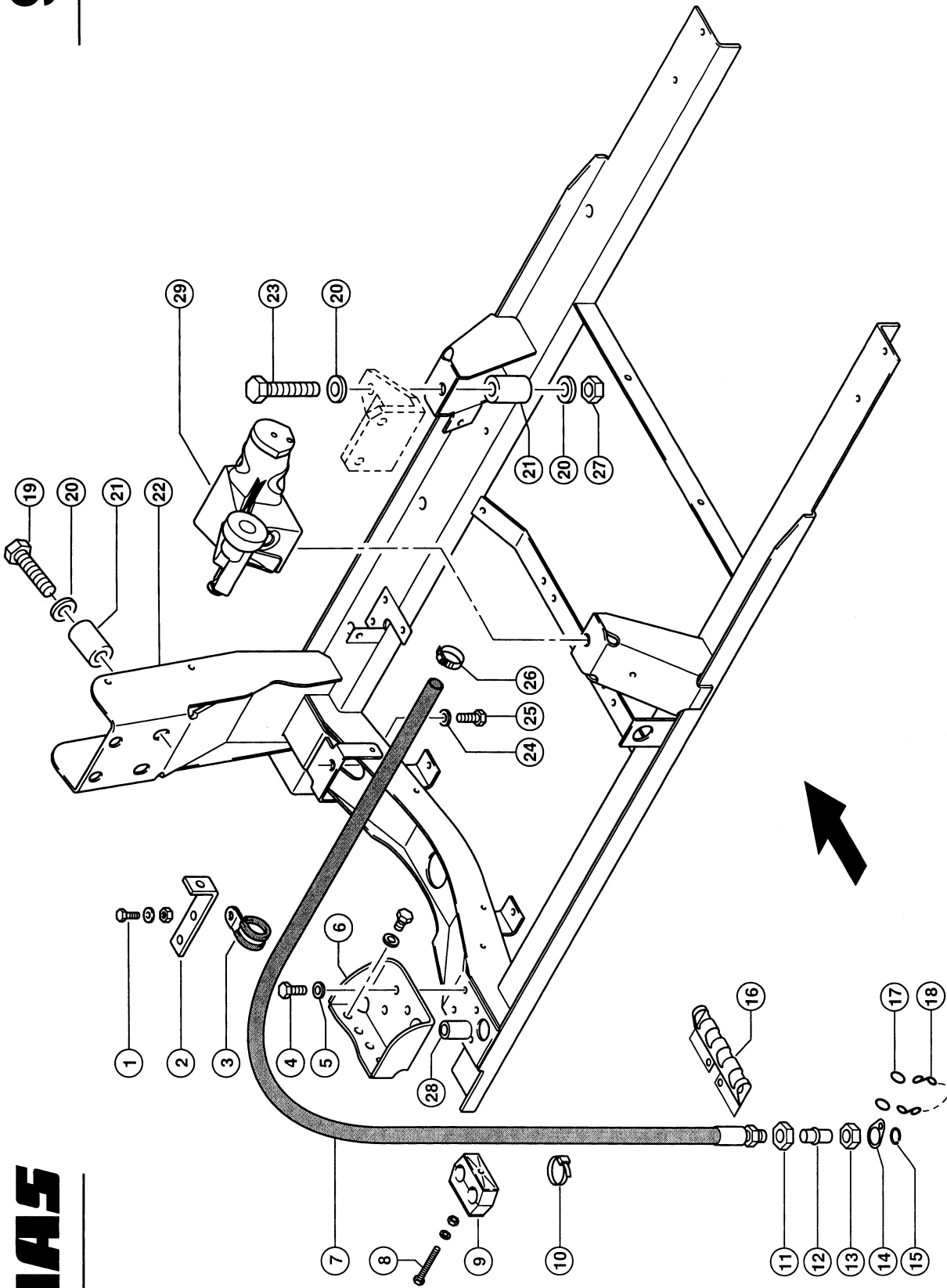
010 COMPLETE ENGINE

Pos.	Part No.	Description	Dimension	Quantity	Conditions
1	00 0798 012 1	ENGINE	C9 232KW TIER3	1	1)
1	00 0796 889 1	ENGINE	C9 232KW T3	1	2)
1) Equipment					
		MD_P02_0660	CAT C9 engine (EWG230kW/ECE217kW)		
2) Equipment					
		MD_P02_0661	CAT C9 engine (EWG230kW/ECE217kW) with air compressor system		

969

CLAAS

17194z00
LEXION 530-520 MONTANA



143745

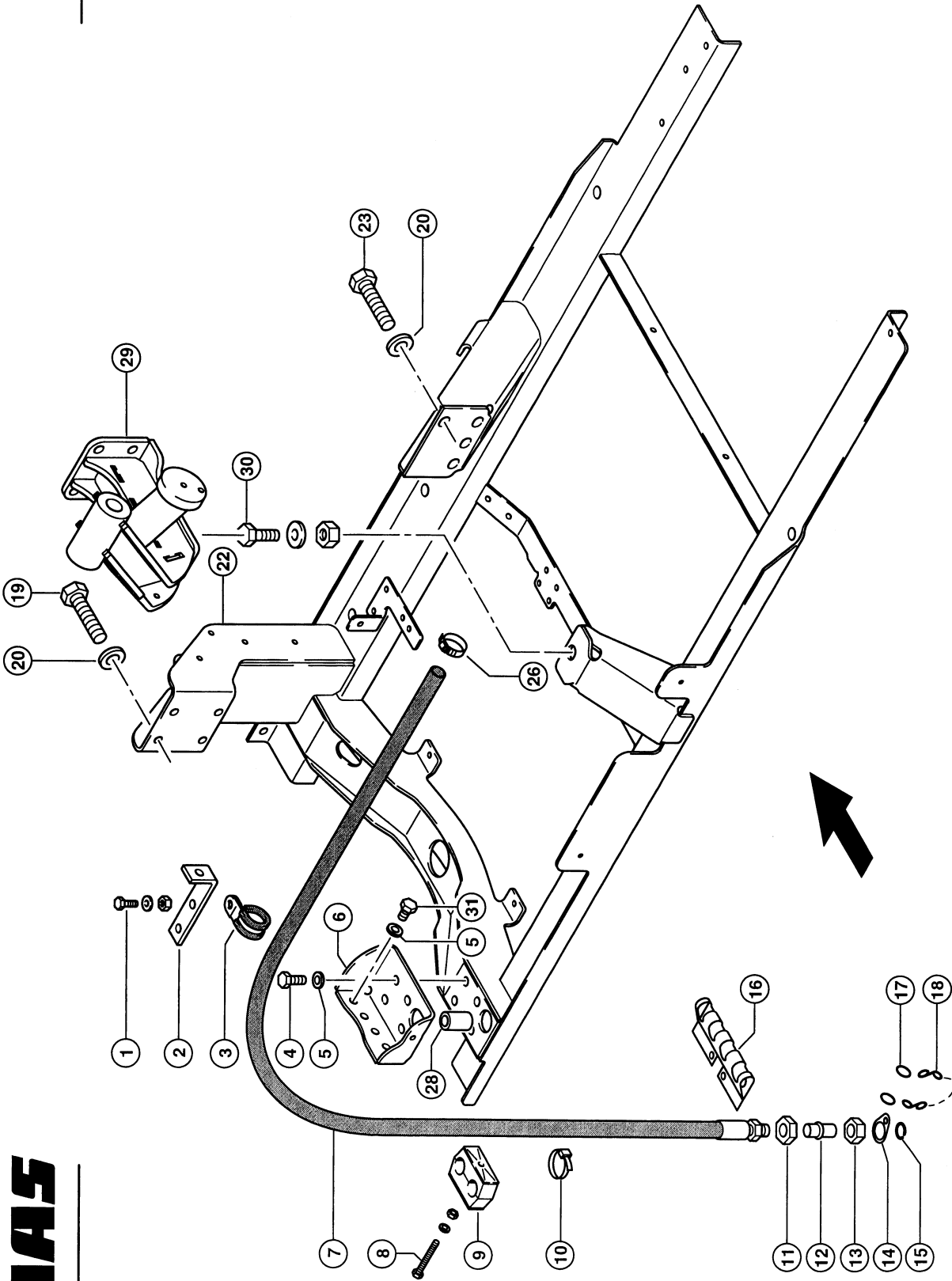
ENGINE CAT C9; BASE, OIL DRAIN HOSE

Pos.	Part No.	Description	Dimension	Quantity	Conditions
1	00 0236 200 0	HEXAGON HEAD BOLT	M8X20	1	
1	00 0239 387 0	CONTACT WASHER	A8-8,2X18X1,4	1	
1	00 0236 170 0	HEXAGONAL NUT	M8	1	
2	00 0073 012 1	ANGLE	30X5X160	1	
3	00 0215 394 0	HOLDER CLAMP	D1-24X20	2	
4	00 0237 461 0	HEXAGON HEAD BOLT	M12X30	4	
5	00 0239 389 0	CONTACT WASHER	A12	4	
6	00 0760 949 2	SUPPORT REAR		1	
7	00 0350 390 1	OIL DRAIN HOSE		1	
8	00 0235 522 0	HEXAGON HEAD BOLT	M8 X 65	2	
8	00 0239 387 0	CONTACT WASHER	A8-8,2X18X1,4	2	
8	00 0236 170 0	HEXAGONAL NUT	M8	2	
9	00 0689 060 0	CLAMP	Z KP-3-R-25-25-PA	1	
10	00 0697 798 0	CABLE TIE	7,6X290X1,9	2	
11	00 0236 327 0	HEXAGONAL NUT	M22X1,5	1	
12	00 0077 528 1	DRAIN FITTING	D18,1X51,5	1	
13	00 0633 589 1	UNION NUT	A3 L15	1	
14	00 0077 529 0	STRAP	1,0X0026X0041	1	
15	00 0215 080 0	SNAP RING	A 14	1	
16	00 0771 504 0	SUPPORT	3,0X126X230	1	
17	00 0002 846 0	RING	SPIRALFÖRMIG OFFEN 2 16 X		
18	00 0002 848 0	KNOT CHAIN	1,8X 25X 6GL	1	
19	00 0215 631 0	HEXAGON HEAD BOLT	3/4-10UNC-2AX4 1/2	4	
20	00 0212 191 0	CONTACT WASHER	A20	8	
21	00 0796 231 0	BUSHING	D42D20.5X62	6	
22	00 0353 682 2	ENGINE MOUNTING	C9 TYP 583	1	
23	00 0211 186 0	HEXAGON HEAD BOLT	M20X130	2	
24	00 0239 389 0	CONTACT WASHER	A12	1	
25	00 0211 465 0	HEX.HEAD BOLT	1/2-13UNC-2AX1 1/2	1	
26	00 0408 554 2	HOSE CLAMP	W.ERS.D.4085543	1	
27	00 0237 521 0	HEX.NUT	M20	2	
28	00 0796 273 0	BUSHING	D32/D18X50	2	
29	00 0796 942 1	ENGINE SUPPORT		1	
29	00 0214 367 0	SOCKET HEAD SCREW	M16X 40	4	
29	00 0215 291 1	WASHER	16 -16,2X24,6X3,5	4	

970

CLAAS

17240z00
LEXION 530-520 MONTANA



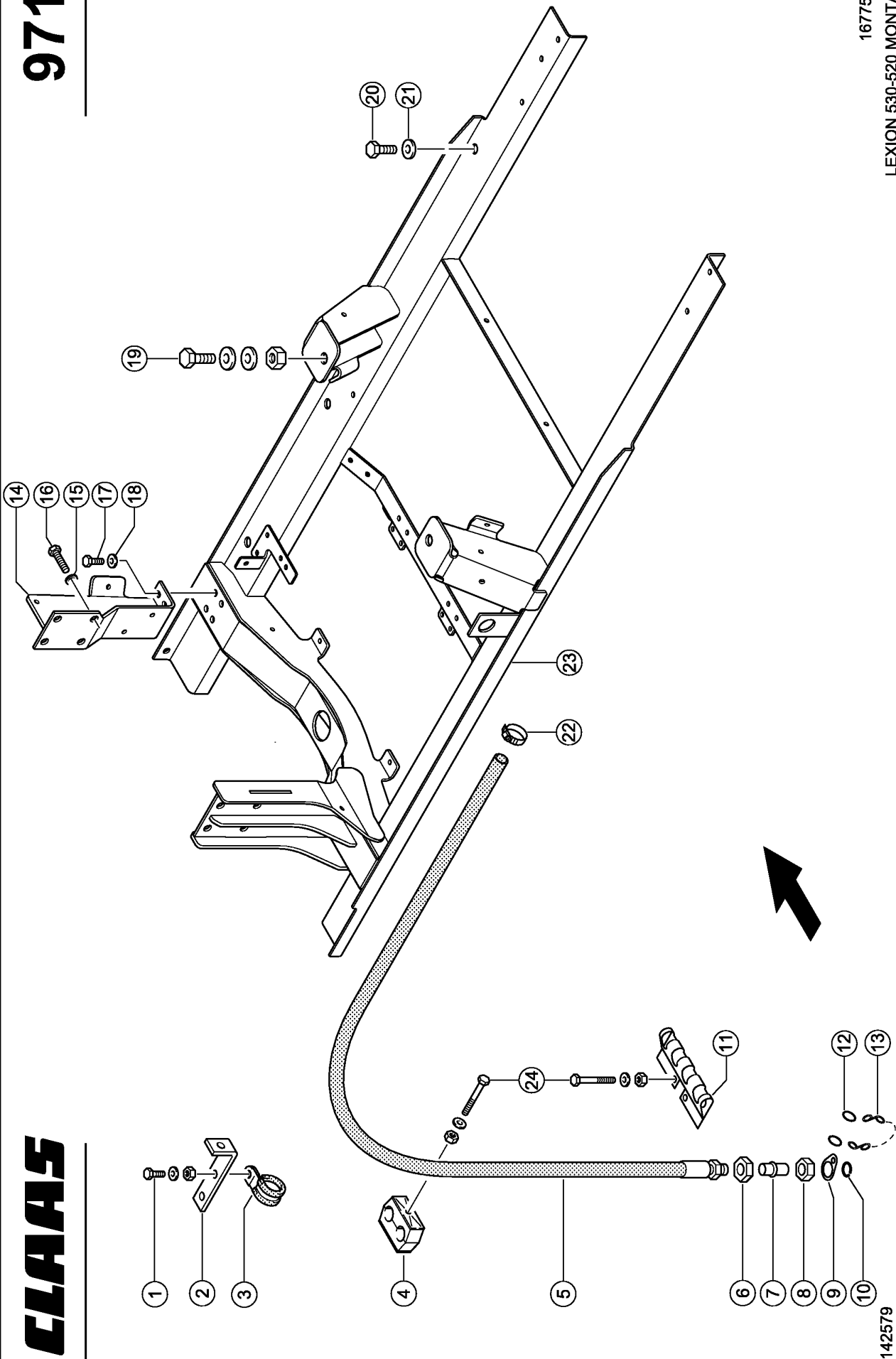
143747

ENGINE C6.6; BASE, OIL DRAIN HOSE

Pos.	Part No.	Description	Dimension	Quantity	Conditions
1	00 0236 200 0	HEXAGON HEAD BOLT	M8X20	1	
1	00 0239 387 0	CONTACT WASHER	A8-8,2X18X1,4	1	
1	00 0236 170 0	HEXAGONAL NUT	M8	1	
2	00 0073 012 1	ANGLE	30X5X160	1	
3	00 0215 394 0	HOLDER CLAMP	D1-24X20	2	
4	00 0237 461 0	HEXAGON HEAD BOLT	M12X30	4	
5	00 0239 389 0	CONTACT WASHER	A12	8	
6	00 0798 056 1	SUPPORT	6X162X279	1	
7	00 0350 390 1	OIL DRAIN HOSE		1	
8	00 0235 522 0	HEXAGON HEAD BOLT	M8 X 65	2	
8	00 0239 387 0	CONTACT WASHER	A8-8,2X18X1,4	2	
8	00 0236 170 0	HEXAGONAL NUT	M8	2	
9	00 0689 060 0	CLAMP	Z KP-3-R-25-25-PA	1	
10	00 0697 798 0	CABLE TIE	7,6X290X1,9	2	
11	00 0236 327 0	HEXAGONAL NUT	M22X1,5	1	
12	00 0077 528 1	DRAIN FITTING	D18,1X51,5	1	
13	00 0633 589 1	UNION NUT	A3 L15	1	
14	00 0077 529 0	STRAP	1,0X0026X0041	1	
15	00 0215 080 0	SNAP RING	A 14	1	
16	00 0771 504 0	SUPPORT	3,0X126X230	1	
17	00 0002 846 0	RING	SPIRALFÖRMIG OFFEN2 16 X		
18	00 0002 848 0	KNOT CHAIN	1,8X 25X 6GL	1	
19	00 0236 056 0	HEXAGON HEAD BOLT	M12X25	4	
20	00 0239 389 0	CONTACT WASHER	A12	4	
22	00 0743 816 1	ENGINE MOUNTING		1	
23	00 0237 376 0	HEXAGON HEAD BOLT	M16X30	4	
24	00 0239 391 0	CONTACT WASHER	A16	4	
26	00 0408 554 2	HOSE CLAMP	W.ERS.D.4085543	1	
28	00 0796 273 0	BUSHING	D32/D18X50	2	
29	00 0798 193 1	ENGINE SUPPORT		1	
29	00 0237 693 0	SOCKET HEAD SCREW	M16X35	3	
29	00 0215 291 1	WASHER	16 -16,2X24,6X3,5	3	
30	00 0242 406 0	HEXAGON HEAD BOLT	M20X40	1	
30	00 0212 191 0	CONTACT WASHER	A20	1	
30	00 0237 521 0	HEX.NUT	M20	1	
31	00 0237 458 0	HEXAGON HEAD BOLT	M12X20	4	

971

16775z00
LEXION 530-520 MONTANA



CLAAS

142579

ENGINE 3126B; BASE, OIL DRAIN HOSE

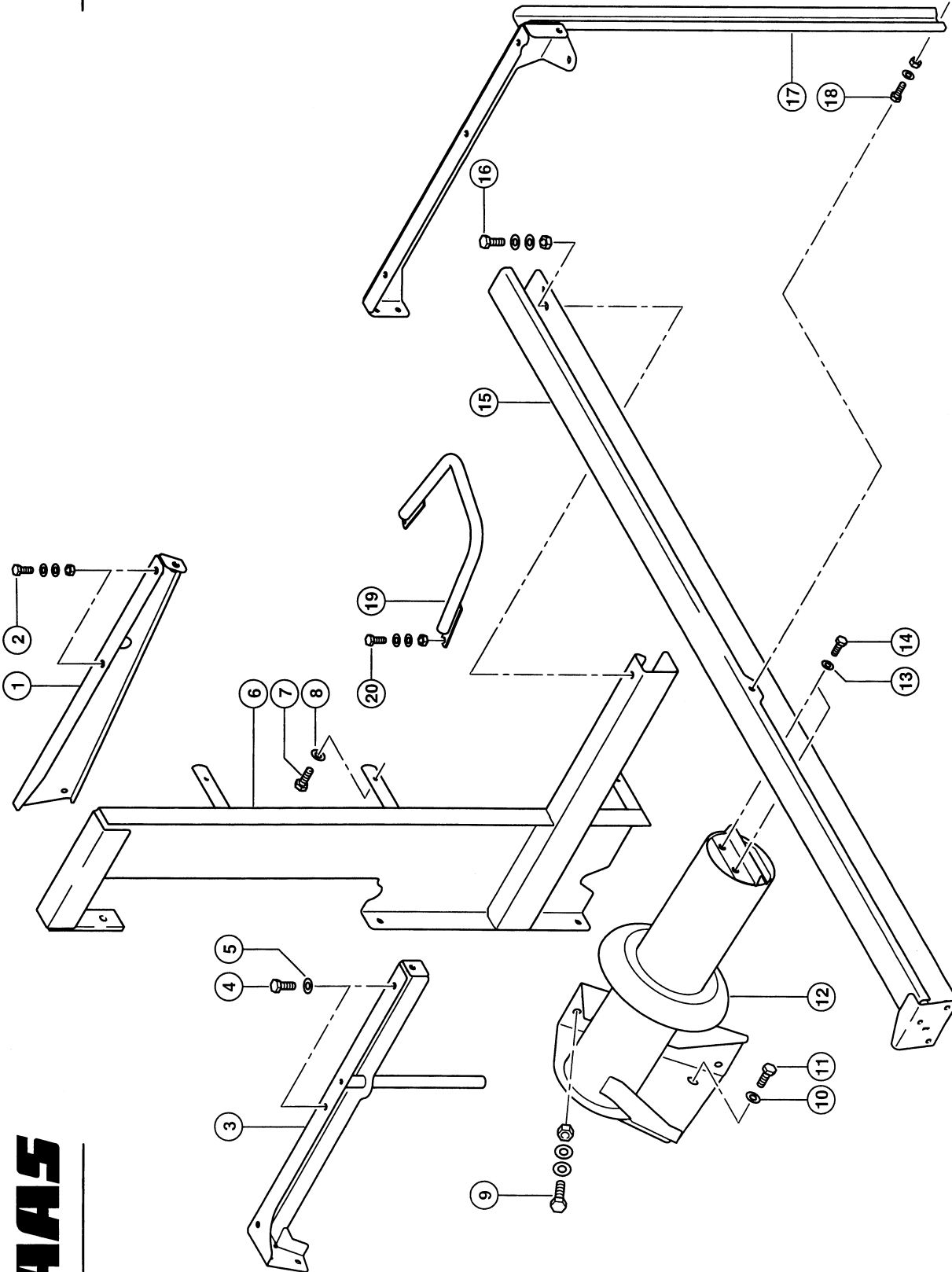
Pos.	Part No.	Description	Dimension	Quantity	Conditions
1	00 0237 442 0	HEXAGON HEAD BOLT	M8X25	1	
1	00 0236 170 0	HEXAGONAL NUT	M8	1	
1	00 0239 387 0	CONTACT WASHER	A8-8,2X18X1,4	1	
2	00 0073 012 1	ANGLE	30X5X160	1	
3	00 0215 394 0	HOLDER CLAMP	D1-24X20	1	
4	00 0689 060 0	CLAMP	Z KP-3-R-25-25-PA	1	
5	00 0350 390 1	OIL DRAIN HOSE		1	
6	00 0236 327 0	HEXAGONAL NUT	M22X1,5	1	
7	00 0077 528 1	DRAIN FITTING	D18,1X51,5	1	
8	00 0633 589 1	UNION NUT	A3 L15	1	
9	00 0077 529 0	STRAP	1,0X0026X0041	1	
10	00 0215 080 0	SNAP RING	A 14	1	
11	00 0771 504 0	SUPPORT	3,0X126X230	1	
12	00 0002 846 0	RING	SPIRALFÖRMIG OFFEN2 16 X		
13	00 0002 848 0	KNOT CHAIN	1,8X 25X 6GL	1	
14	00 0796 247 1	SUPPORT		1	
15	00 0239 390 0	CONTACT WASHER	A14	8	
16	00 0242 460 0	HEXAGON HEAD BOLT	M14X30	2	
16	00 0061 840 0	BUSHING	11X25X20	4	
16	00 0235 566 0	HEXAGON HEAD BOLT	M14X35	2	
16	00 0242 462 0	HEXAGON HEAD BOLT	M14X60	2	
17	00 0237 456 0	HEXAGON HEAD BOLT	M10X45	4	
18	00 0239 388 0	CONTACT WASHER	A10-10,2X22,25X1,6	4	
19	00 0237 591 0	HEX.HEAD BOLT	M20X60	2	
19	00 0237 521 0	HEX.NUT	M20	2	
19	00 0212 191 0	CONTACT WASHER	A20	4	
20	00 0236 230 0	HEXAGON HEAD BOLT	M16X35	8	
21	00 0239 391 0	CONTACT WASHER	A16	8	
22	00 0408 554 2	HOSE CLAMP	W.ERS.D.4085543	1	
23	00 0761 881 2	ENGINE MOUNTING	3126B TYP543	1	
24	00 0237 341 0	HEXAGON HEAD BOLT	M08X45	3	
24	00 0236 170 0	HEXAGONAL NUT	M8	3	
24	00 0239 387 0	CONTACT WASHER	A8-8,2X18X1,4	3	

782

CLAAS

LEXION 530-520 MONTANA

17235Z00
LEXION 530-520 MONTANA



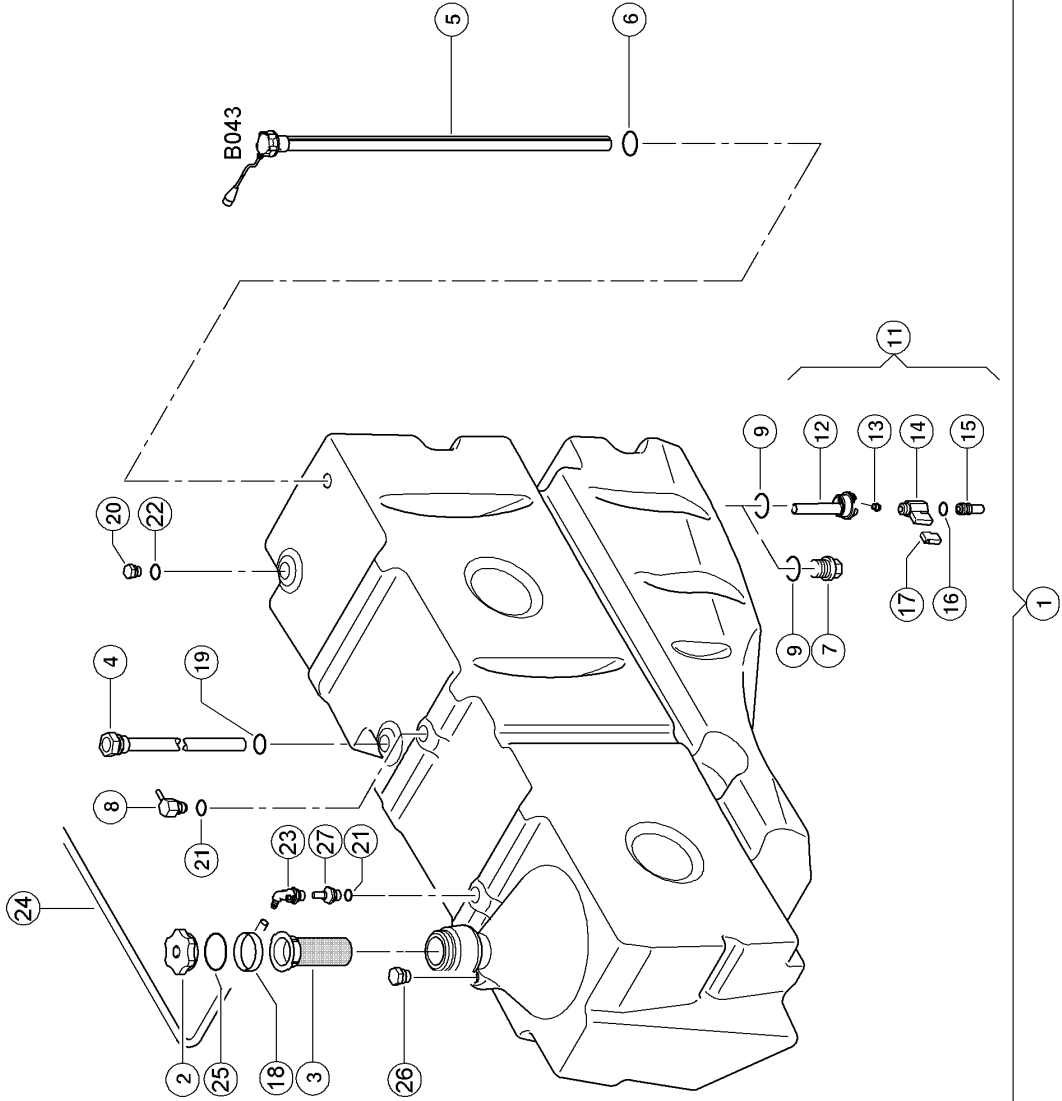
142558/01

BRACKET FOR FUEL TANK

Pos.	Part No.	Description	Dimension	Quantity	Conditions
1	00 0794 841 3	FASTENER	1420	1	
2	00 0237 370 0	HEXAGON HEAD BOLT	M8X30	2	
2	00 0239 387 0	CONTACT WASHER	A8-8,2X18X1,4	4	
2	00 0236 170 0	HEXAGONAL NUT	M8	2	
3	00 0794 936 1	SUPPORT		1	
4	00 0237 453 0	HEXAGON HEAD BOLT	M10X30	2	
5	00 0239 388 0	CONTACT WASHER	A10-10,2X22,25X1,6	2	
6	00 0794 938 3	SUPPORT	1420	1	
7	00 0237 453 0	HEXAGON HEAD BOLT	M10X30	3	
8	00 0239 388 0	CONTACT WASHER	A10-10,2X22,25X1,6	3	
9	00 0237 461 0	HEXAGON HEAD BOLT	M12X30	4	
9	00 0239 387 0	CONTACT WASHER	A8-8,2X18X1,4	8	
9	00 0236 172 0	HEXAGONAL NUT	M12	4	
10	00 0239 388 0	CONTACT WASHER	A10-10,2X22,25X1,6	1	
11	00 0237 453 0	HEXAGON HEAD BOLT	M10X30	1	
12	00 0794 935 2	MAIN FRAME	1420	1	
13	00 0239 387 0	CONTACT WASHER	A8-8,2X18X1,4	2	
14	00 0237 439 0	HEXAGON HEAD BOLT	M8X16	2	
15	00 0794 855 1	SUPPORT		1	
16	00 0237 453 0	HEXAGON HEAD BOLT	M10X30	1	
16	00 0239 388 0	CONTACT WASHER	A10-10,2X22,25X1,6	2	
16	00 0236 171 0	HEXAGONAL NUT	M10	1	
17	00 0794 937 2	SUPPORT	1420	1	
18	00 0237 439 0	HEXAGON HEAD BOLT	M8X16	3	
18	00 0239 387 0	CONTACT WASHER	A8-8,2X18X1,4	4	
18	00 0236 170 0	HEXAGONAL NUT	M8	1	
19	00 0782 676 0	REINFORCING PLATE		1	
20	00 0237 453 0	HEXAGON HEAD BOLT	M10X30	2	
20	00 0239 388 0	CONTACT WASHER	A10-10,2X22,25X1,6	4	
20	00 0236 171 0	HEXAGONAL NUT	M10	2	

963

CLAAS



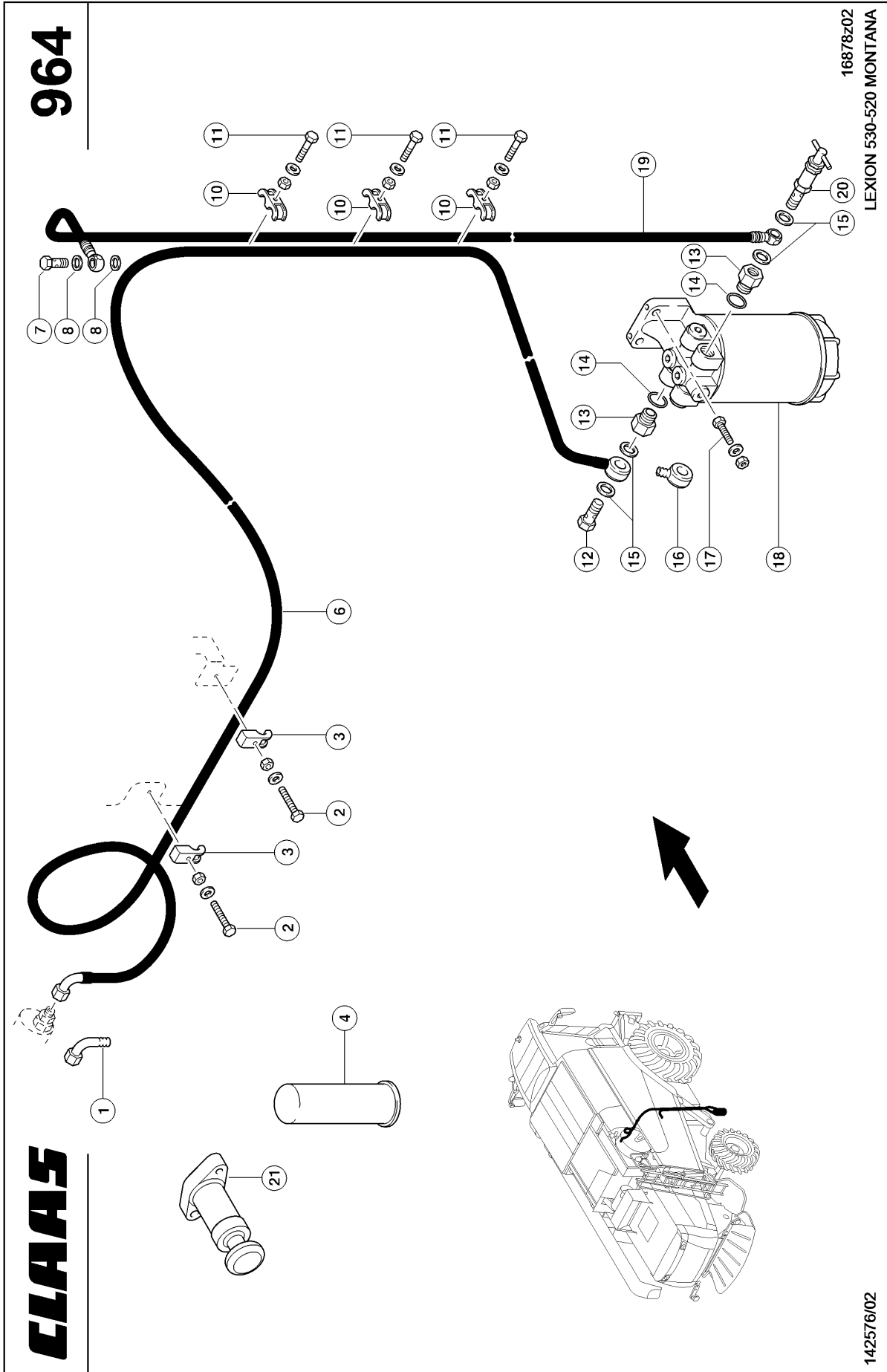
16761Z04
LEXION 530-520 MONTANA

142575/01

FUEL TANK

Pos.	Part No.	Description	Dimension	Quantity	Conditions
1	00 0794 917 5	FUEL TANK	600 NUR ET	1	1)
1	00 0794 415 2	FUEL TANK	600LTR. OHNE Z-TANK	1	2)
1	00 0794 917 3	FUEL TANK	600 LTR	1	3)
2	00 0624 003 1	CAP	DV 80 GL	1	4)
2	00 0217 508 0	CAP	DV 80 GL OHNE LÜFTUNG	1	
2	00 0177 621 0	CAP	D80 BELUEFTET, ABSCHLIES	1	5)
3	00 0736 238 0	TANK FILTER		1	
4	00 0794 999 1	SUCTION TUBE	600 LTR	1	
5	00 0016 597 1	LEVEL INDICATOR	1065MM / 99MM	1	1)
5	00 0794 997 0	LEVEL INDICATOR	600 L	1	6)
5	00 0783 653 0	PT SCREW	6ST 4X40	1	
6	00 0794 993 0	GASKET	VORRATSGEBER	1	
7	00 0687 607 0	DRAIN SCREW	M33X2	1	7)
8	00 0794 995 0	BREATHER VALVE		1	6)
9	00 0217 459 1	O-RING	27X4,0 -N	1	8)
9	00 0215 958 1	FLAT SEAL RING	30X40X3	1	7)
11	00 0794 414 1	CONNECTION	MIT W.ABLAS ; KUGELH. ;	1	8)
12	00 0783 643 1	PLUG	WASSER + G3/8"	1	8)
13	00 0687 625 1	HEXAGON HEAD BOLT	M8X17 F. TANK WASSERABLA	1	8)
14	00 0783 652 0	BALL-TYPE TAP	DN8-I-G3/8XA-G3/8	1	8)
15	00 0783 644 1	ADAPTOR	G3/8"- 1/2" SAE J 2044	1	8)
16	00 0216 366 0	O-RING	10,50X1,5 NBR80	1	8)
17	00 0783 658 0	ANTI-ROTAT. LOCK	FUER 3/8" KUGELHAHN	1	8)
18	00 0038 915 0	SOCKET	SV 80 B/40	1	
19	00 0217 460 0	O-RING	18,64X3,53 -N	1	
20	00 0783 648 2	BLIND PLUG		1	8)
20	00 0794 999 1	SUCTION TUBE	600 LTR	1	7)
21	00 0217 460 0	O-RING	18,64X3,53 -N	1	1)
21	00 0211 091 2	O-RING	12 X 2 NBR 80	1	6)
22	00 0217 460 0	O-RING	18,64X3,53 -N	1	
23	00 0217 507 0	PIPE BRACKET	NW 7,5	1	1)
24	00 0136 529 0	PVC-HOSE	4+0,1X6X10000	1	
25	00 0211 701 0	O-RING	91,67X3,53-N	1	
26	00 0783 648 2	BLIND PLUG		2	1)
27	00 0794 417 2	VENTILATION		1	1)

1)	machine no.	+ from 58200260
2)	machine no.	+ from 58200172 up to 58200259
3)	Remarks	Cpl. up to no. 58200171
4)	Remarks	Ventilation
5)	Remarks	LOCKING
6)	machine no.	+ from 58200011 up to 58200259
7)	Remarks	up to no. 58200171
8)	Remarks	from no. 58200172



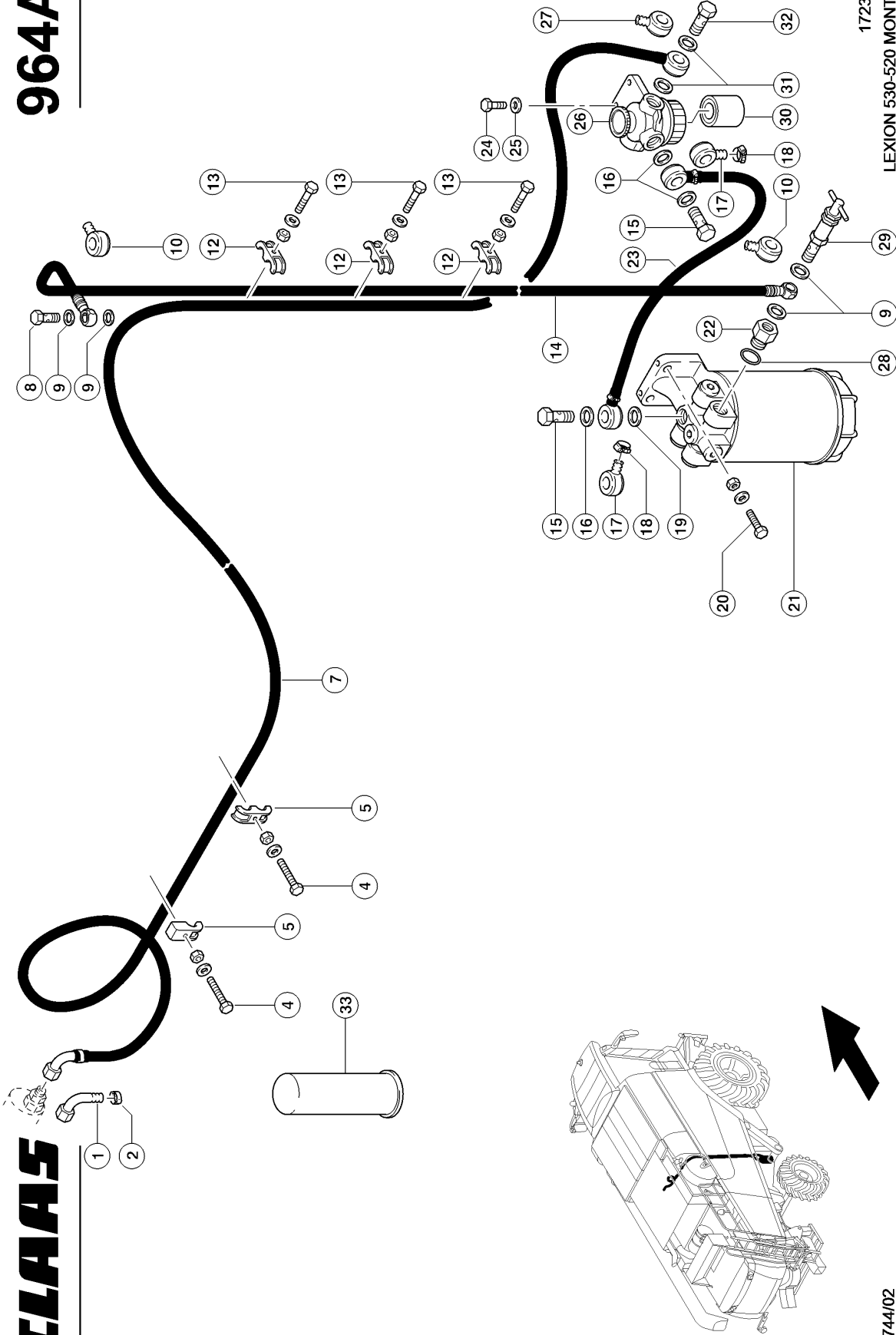
ENGINE CAT C9, 3126B; FUEL SYSTEM, FUEL 1)

Pos.	Part No.	Description	Dimension	Quantity	Conditions
1	00 0796 220 1	CONNECTION	SWE90-L15-12	1	
2	00 0242 442 0	HEXAGON HEAD BOLT	(N90-M22X1, M 6X30	3	
2	00 0239 386 0	CONTACT WASHER	A 6	3	
2	00 0236 169 0	HEXAGONAL NUT	M6	3	
3	00 0715 242 0	CLAMP	A 15	3	
4	00 0363 204 1	FUEL FILTER		1	2)
6	00 0796 197 0	FUEL PIPE	LG 3500 MM	1	3)
7	00 0096 030 0	HOLLOW SCREW	12 - M16X1,5 (12-3 ZULÄS	1	
8	00 0216 465 0	SEALING RING	D 16X22	2	
10	00 0715 241 0	DOUBLE CLAMP	B 15	3	
11	00 0235 505 0	HEXAGON HEAD BOLT	M06X30	3	
11	00 0239 386 0	CONTACT WASHER	A 6	3	
11	00 0236 169 0	HEXAGONAL NUT	M6	3	
12	00 0096 030 0	HOLLOW SCREW	12 - M16X1,5 (12-3 ZULÄS	1	
13	00 0545 906 0	SCREW UNION	M22X1.5/M16X1.5	2	4)
14	00 0238 451 0	O-RING	19,3 X2,4 -N	2	4)
15	00 0216 465 0	SEALING RING	D 16X22	4	
16	00 0216 458 0	CONNECTION	R16-12	1	
17	00 0237 442 0	HEXAGON HEAD BOLT	M8X25	2	
17	00 0239 393 1	CONTACT WASHER	B 8 -8.2X22X1,9	2	
17	00 0236 170 0	HEXAGONAL NUT	M8	2	
18	00 0796 211 0	FUEL FILTER		1	5)
18	00 0796 212 1	SEPARATOR		1	6)
19	00 0743 693 0	FUEL PIPE		1	
20	00 0761 583 1	LIMITATION VALVE	M16X1,5	1	
21	00 0360 431 1	FUEL PUMP		1	7)

1)	machine no.	+ up to 58200211
2)	Remarks	FILTER GP-FUEL
3)	Remarks	3500 mm long
4)	Remarks	P06 / 10
5)	Remarks	P06 / 20 see illustration plate 966
6)	Remarks	P06 / 10 see illustration plate 966
7)	Remarks	only with Cat C9 engine

964A

CLAAS



17238z02
LEXION 530-520 MONTANA

143744/02

ENGINE CAT C6.6; FUEL SYSTEM, FUEL 1)

Pos.	Part No.	Description	Dimension	Quantity	Conditions
1	00 0798 824 0	FUEL PIPE	FILTER-MOTOR	1	2)
1	00 0798 225 0	CONNECTION	NW 5/8"-1/2", 0°	1	3)
2	00 0237 814 0	2-EAR CLAMP	13-15	1	
4	00 0242 442 0	HEXAGON HEAD BOLT	M 6X30	1	
4	00 0237 553 1	HEXAGON HEAD BOLT	M6X45	1	
4	00 0239 386 0	CONTACT WASHER	A 6	2	
4	00 0236 169 0	HEXAGONAL NUT	M6	2	
5	00 0715 242 0	CLAMP	A 15	1	
5	00 0762 138 0	DOUBLE CLAMP	25/15	1	
7	00 0798 824 0	FUEL PIPE	FILTER-MOTOR	1	4)
7	00 0798 223 0	FUEL PIPE	FILTER-MOTOR	1	3)
8	00 0096 030 0	HOLLOW SCREW	12 - M16X1,5 (12-3 ZULÄS	1	
9	00 0216 465 0	SEALING RING	D 16X22	4	
10	00 0216 458 0	CONNECTION	R16-12	2	
12	00 0715 241 0	DOUBLE CLAMP	B 15	3	
13	00 0235 505 0	HEXAGON HEAD BOLT	M06X30	3	
13	00 0239 386 0	CONTACT WASHER	A 6	3	
13	00 0236 169 0	HEXAGONAL NUT	M6	3	
14	00 0743 693 0	FUEL PIPE		1	
15	00 0096 030 0	HOLLOW SCREW	12 - M16X1,5 (12-3 ZULÄS	1	
16	00 0216 465 0	SEALING RING	D 16X22	4	
17	00 0215 562 0	CONNECTION	R16-10	2	
18	00 0408 552 2	HOSE CLAMP	A-12-22X9	2	
19	00 0216 465 0	SEALING RING	D 16X22	4	
20	00 0237 442 0	HEXAGON HEAD BOLT	M8X25	2	
20	00 0239 393 1	CONTACT WASHER	B 8 -8.2X22X1,9	2	
20	00 0236 170 0	HEXAGONAL NUT	M8	2	
21	00 0796 211 0	FUEL FILTER		1	5)
21	00 0796 212 1	SEPARATOR		1	6)
22	00 0545 906 0	SCREW UNION	M22X1.5/M16X1.5	1	7)
23	00 0545 909 0	FUEL PIPE	500 LANG	1	
24	00 0236 200 0	HEXAGON HEAD BOLT	M8X20	2	
25	00 0239 393 1	CONTACT WASHER	B 8 -8.2X22X1,9	2	
26	00 0068 665 0	HAND PUMP	H11K06 M16X1,5	1	
26	00 0077 446 0	SEALING RING	F. H11 K02	1	
26	00 0077 447 0	INSPECTION GLASS		1	
27	00 0216 458 0	CONNECTION	R16-12	1	
28	00 0238 451 0	O-RING	19,3 X2,4 -N	1	7)
29	00 0761 583 1	LIMITATION VALVE	M16X1,5	1	
30	00 0077 445 0	FILTER ELEMENT		1	
31	00 0216 465 0	SEALING RING	D 16X22	2	
32	00 0096 030 0	HOLLOW SCREW	12 - M16X1,5 (12-3 ZULÄS	1	
33	00 0530 056 0	FUEL FILTER		1	8)
33	00 0798 821 0	FUEL FILTER		1	9)

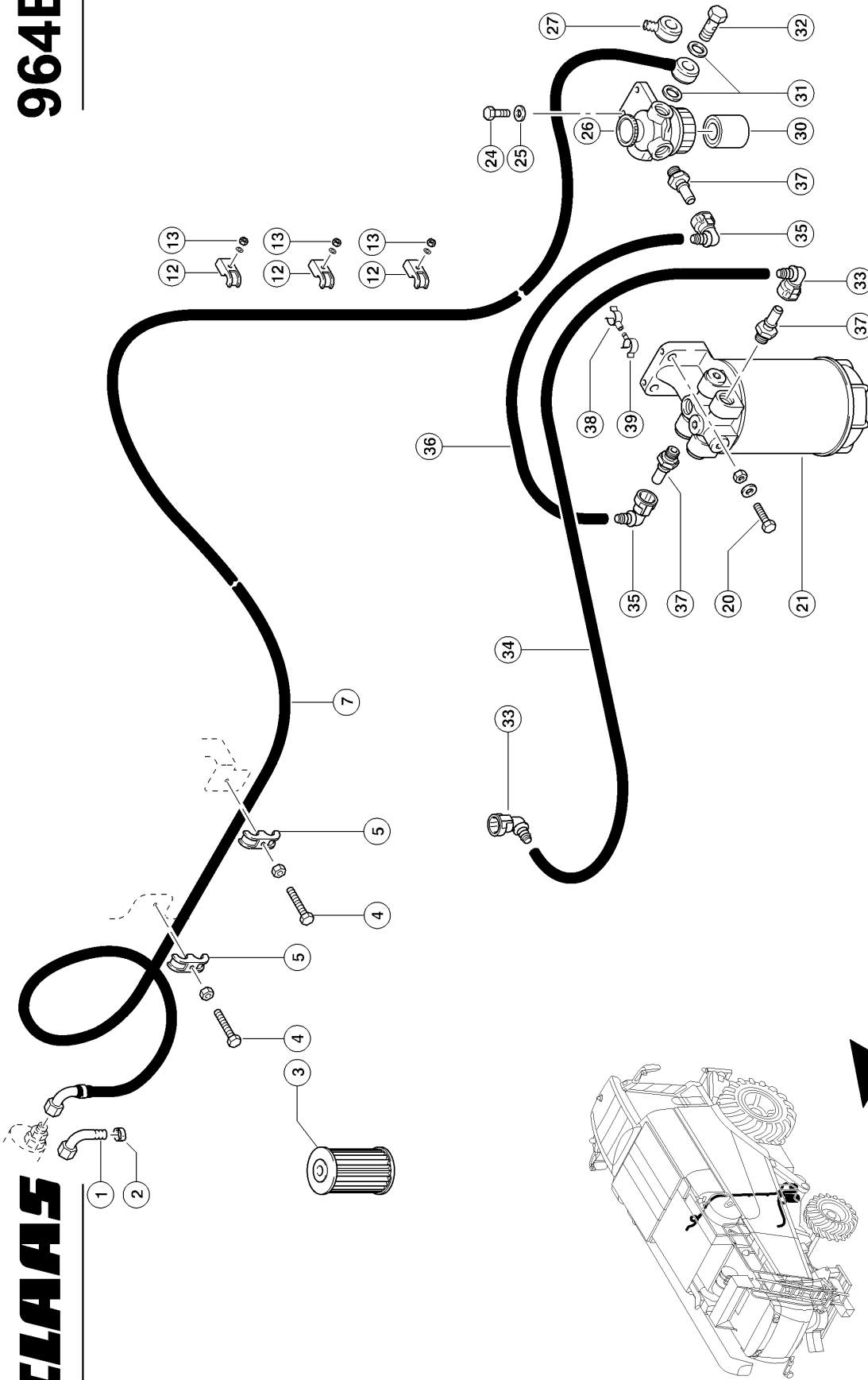
1)	machine no.	+ up to 58200211
2)	Remarks	with Item 27 from no. 58200132
3)	Remarks	up to no. 58200131
4)	Remarks	with item 1, 10 from no. 58200132

ENGINE CAT C6.6; FUEL SYSTEM, FUEL 1)

5) Remarks	P06 / 20 see illustration plate 966
6) Remarks	P06 / 10 see illustration plate 966
7) Remarks	P06 / 10
8) Remarks	from no. 58200172
9) Remarks	up to no. 58200171

964B

CLAAS



17568z01
LEXION 530-520 MONTANA

148984/01

ENGINE; FUEL SYSTEM, FUEL COOL 1)

Pos.	Part No.	Description	Dimension	Quantity	Conditions
1	00 0796 209 1	CONNECTION	SWE-10X12	1	
2	00 0237 814 0	2-EAR CLAMP	13-15	1	
3	00 0363 204 1	FUEL FILTER		1	2)
3	00 0530 056 0	FUEL FILTER		1	3)
4	00 0237 370 0	HEXAGON HEAD BOLT	M8X30	2	
4	00 0238 132 0	LOCK NUT	M8	1	
5	00 0683 254 0	CLAMP BRACKET	2X18X25X3	2	
5	00 0697 807 0	RUBBER BEARING	12/12	2	
7	00 0743 680 1	FUEL PIPE	12,5X1,25X3340	1	
12	00 0715 242 0	CLAMP	A 15	3	
13	00 0239 386 0	CONTACT WASHER	A 6	3	
13	00 0236 169 0	HEXAGONAL NUT	M6	3	
20	00 0237 442 0	HEXAGON HEAD BOLT	M8X25	2	
20	00 0239 393 1	CONTACT WASHER	B 8 -8.2X22X1,9	2	
20	00 0236 170 0	HEXAGONAL NUT	M8	2	
21	00 0796 211 0	FUEL FILTER		1	4)
21	00 0796 213 0	FILTER ELEMENT		1	5)
21	00 0796 212 1	SEPARATOR		1	6)
21	00 0796 214 1	FILTER ELEMENT		1	7)
24	00 0236 200 0	HEXAGON HEAD BOLT	M8X20	2	
25	00 0239 393 1	CONTACT WASHER	B 8 -8.2X22X1,9	2	
26	00 0068 665 0	HAND PUMP	H11K06 M16X1,5	1	
26	00 0077 446 0	SEALING RING	F. H11 K02	1	
26	00 0077 447 0	INSPECTION GLASS		1	
27	00 0215 562 0	CONNECTION	R16-10	1	
30	00 0077 445 0	FILTER ELEMENT		1	
31	00 0216 465 0	SEALING RING	D 16X22	2	
32	00 0096 030 0	HOLLOW SCREW	12 - M16X1,5 (12-3 ZULÄS	1	
33	00 0798 863 0	CONNECTOR	NORMAQUICK S NW 1/2"-10-	1	
34	00 0799 121 1	FUEL PIPE	TANK-FILTER	1	8)
35	00 0798 863 0	CONNECTOR	NORMAQUICK S NW 1/2"-10-	2	
36	00 0799 127 0	FUEL PIPE	FILTER-PUMPE	1	9)
37	00 0798 664 0	ADAPTER	M16X1,5 / 1/2" SAE J 204	3	10)
37	00 0798 652 1	ADAPTER	DN 12 - F-M22X1,5	3	11)
37	00 0215 922 0	O-RING	19,3X2,2-N	3	11)
38	00 0796 375 0	PIPE BRACKET	D 11	1	
39	00 0796 374 0	PIPE BRACKET	D 11	1	

1)	machine no.	+ from 58200211 + from 58200212
2)	Remarks	FILTER GP-FUEL 3126B, C9
3)	Remarks	FILTER GP-FUEL C6.6
4)	Remarks	P06 / 20 see illustration plate 966
5)	Remarks	P06 / 20 see illustration plate 966
6)	Remarks	P06 / 10 not with 068 712.0 see illustration plate 966

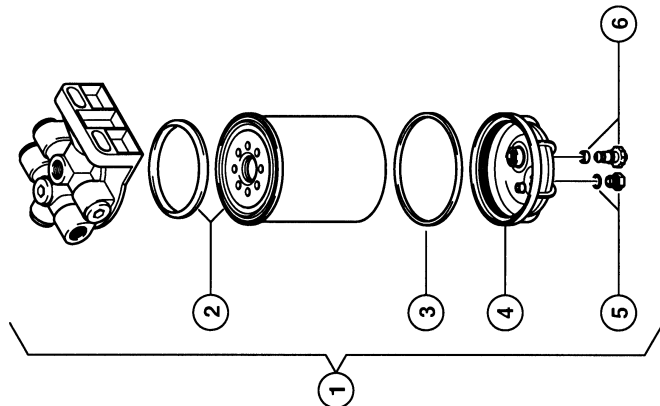
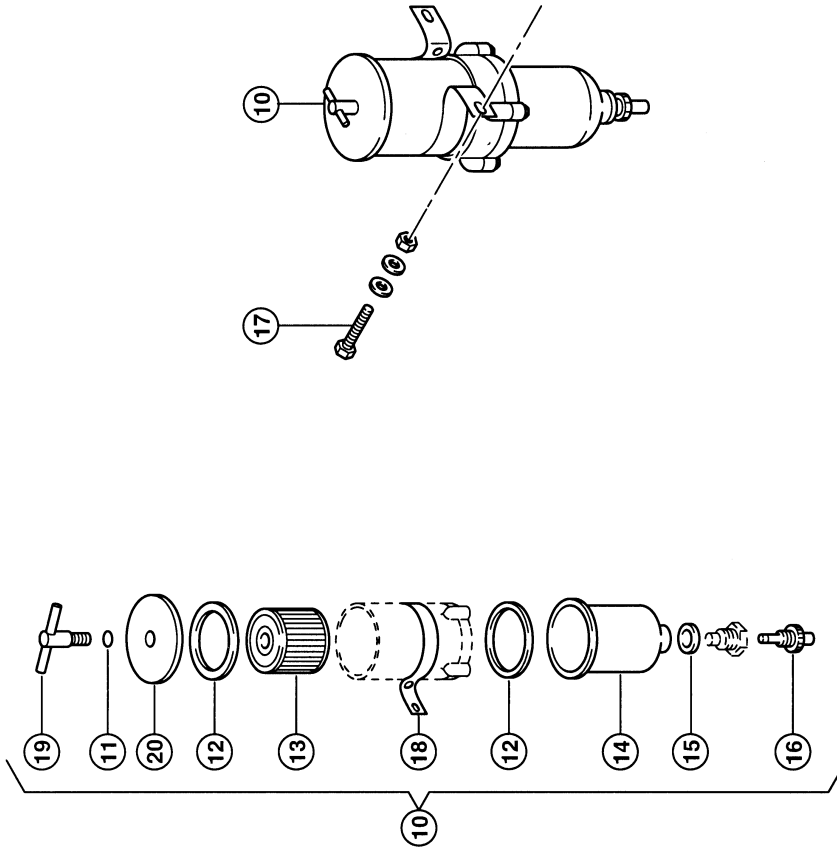
ENGINE; FUEL SYSTEM, FUEL COOL 1)

7) Remarks	P06 / 10 see illustration plate 966
8) Remarks	with Item 33
9) Remarks	with Item 35
10) Remarks	P06 / 20
11) Remarks	P06 / 10

966

CLAAS

LEXION 530-520 MONTANA



16767z01
LEXION 530-520 MONTANA

142577

Thank you so much for reading.
Please click the “Buy Now!”
button below to download the
complete manual.



After you pay.

You can download the most
perfect and complete manual in
the world immediately.

Our support email:

ebooklibonline@outlook.com