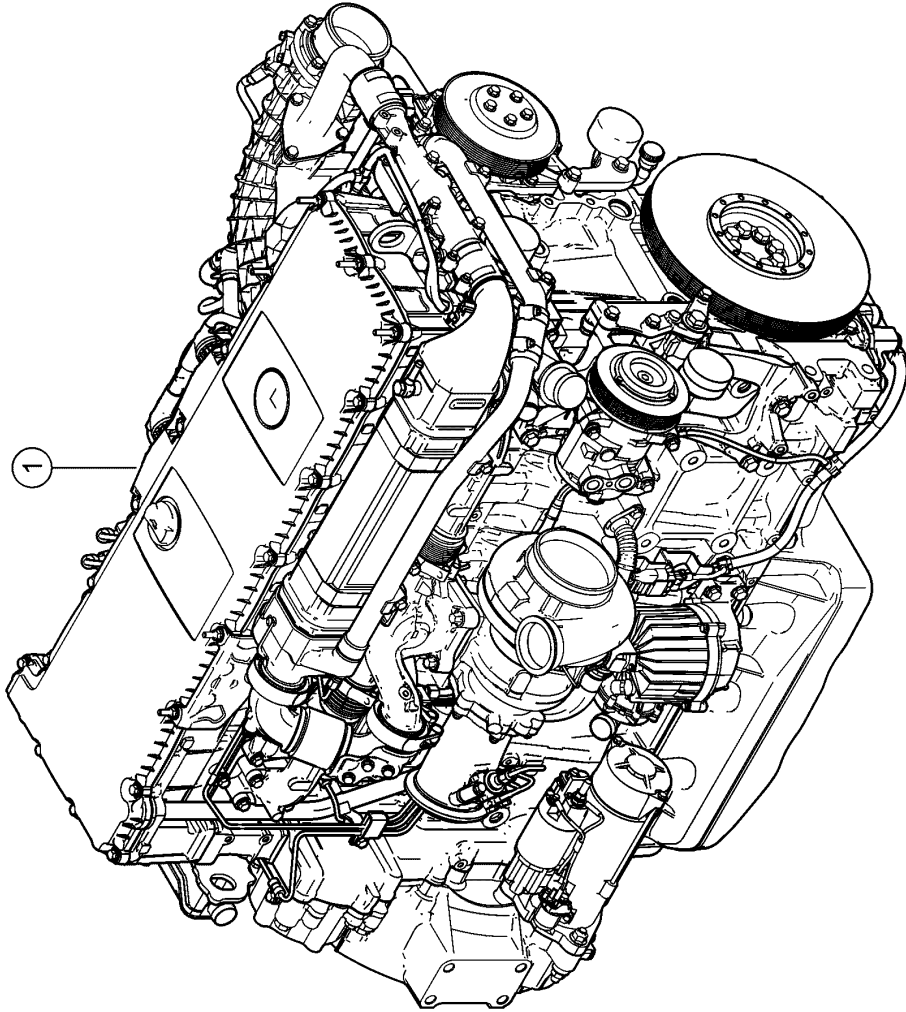


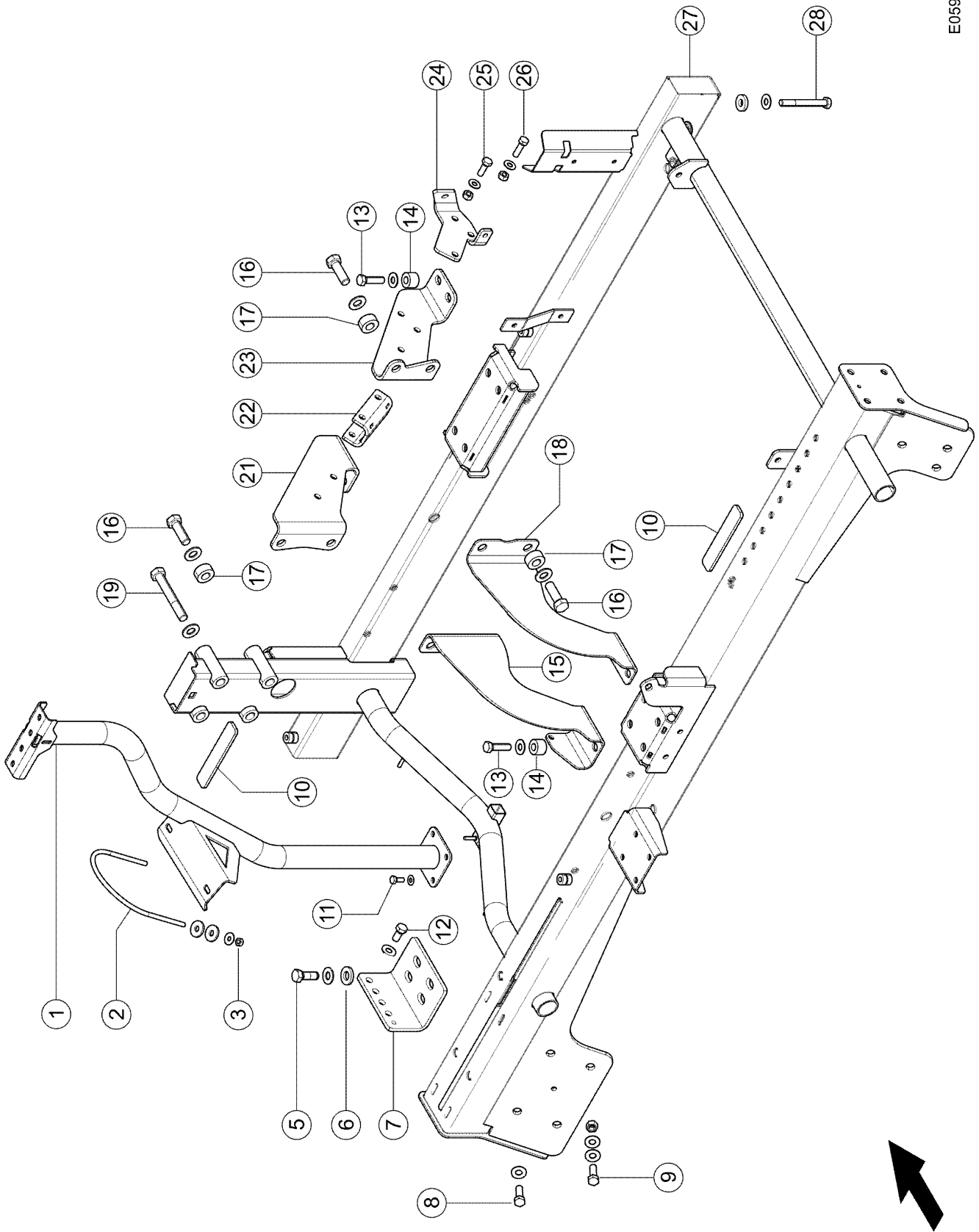
**010 COMPLETE ENGINE 1)**

Pos.	Part No.	Description	Dimension	Quantity	Conditions
1	<b>00 2598 507 1</b>	ENGINE	OM936 230KW STAGE 1 V		2)
1	<b>00 2598 508 0</b>	ENGINE	OM936 K 230KW E5	1	3)
1	<b>00 2598 509 1</b>	ENGINE	OM936 260KW E5	1	4)
1	<b>00 2598 510 0</b>	ENGINE	OM936 K 260KW E5	1	5)
<b>1)</b>	<b>Equipment</b>				
		MD_P02_0902	Mercedes-Benz OM936 LA - 230 kW/313 hp (Stage V)		
		MD_P02_0903	Mercedes-Benz OM936 LA - 230 kW/313 hp (Stage V), air compressor		
		MD_P02_0904	Mercedes-Benz OM936 LA - 260 kW/354 hp (Stage V)		
		MD_P02_0909	Mercedes-Benz OM936 LA - 260 kW/354 hp (Stage V), air compressor		
<b>2)</b>	<b>Equipment</b>				
		MD_P02_0902	Mercedes-Benz OM936 LA - 230 kW/313 hp (Stage V)		
<b>3)</b>	<b>Equipment</b>				
		MD_P02_0903	Mercedes-Benz OM936 LA - 230 kW/313 hp (Stage V), air compressor		
<b>4)</b>	<b>Equipment</b>				
		MD_P02_0904	Mercedes-Benz OM936 LA - 260 kW/354 hp (Stage V)		
<b>5)</b>	<b>Equipment</b>				
		MD_P02_0909	Mercedes-Benz OM936 LA - 260 kW/354 hp (Stage V), air compressor		



**010 COMPLETE ENGINE 1)**

Pos.	Part No.	Description	Dimension	Quantity	Conditions
1	<b>00 2598 511 1</b>	ENGINE	OM470 300KW E5 LEXION	1	2)
1	<b>00 2598 512 1</b>	ENGINE	OM470 K 300KW E5 K 1 LEXIO	1	3)
<b>1)</b>	<b>Equipment</b>				
		MD_P02_0910	Mercedes-Benz OM470 LA - 300 kW/408 hp (Stage V)		
		MD_P02_0911	Mercedes-Benz OM470 LA - 300 kW/408 hp (Stage V), air compressor		
<b>2)</b>	<b>Equipment</b>				
		MD_P02_0910	Mercedes-Benz OM470 LA - 300 kW/408 hp (Stage V)		
<b>3)</b>	<b>Equipment</b>				
		MD_P02_0911	Mercedes-Benz OM470 LA - 300 kW/408 hp (Stage V), air compressor		



**100 ENGINE SUSPENSION 1)**

Pos.	Part No.	Description	Dimension	Quantity	Conditions
1	<b>00 2656 035 0</b>	SUPPORT	OM936LA	4	
2	<b>00 2402 009 0</b>	CLAMP BRACKET	M8X154	1	2)
2	<b>00 2907 454 0</b>	CLAMPING BRACKET	M8X134	1	3)
3	<b>00 0234 320 0</b>	WASHER	8,4X23X3	4	2)
3	<b>00 0239 393 1</b>	CONTACT WASHER	B 8 -8.2X22X1,9	2	4)
3	<b>00 0238 132 0</b>	LOCK NUT	M8	2	4)
5	<b>00 0237 373 0</b>	HEXAGON HEAD BOLT	M14X40	4	
5	<b>00 0239 390 0</b>	CONTACT WASHER	A14	4	
6	<b>00 0238 990 0</b>	WASHER	Ø16,5 X Ø33,5 - 1X5	4	
7	<b>00 2658 317 1</b>	SUPPORT	8X150X181,1	1	
8	<b>00 0237 572 0</b>	HEXAGON HEAD BOLT	M12X35	3	
8	<b>00 0239 389 0</b>	CONTACT WASHER	A12	3	
9	<b>00 0237 572 0</b>	HEXAGON HEAD BOLT	M12X35	4	
9	<b>00 0239 389 0</b>	CONTACT WASHER	A12	8	
9	<b>00 0236 172 0</b>	HEXAGONAL NUT	M12	4	
10	<b>00 2599 780 0</b>	RUBBER PAD	150X30X6(15)	2	
11	<b>00 0236 200 0</b>	HEXAGON HEAD BOLT	M8X20	4	
11	<b>00 0239 387 0</b>	CONTACT WASHER	A8-8,2X18X1,4	4	
12	<b>00 0236 056 0</b>	HEXAGON HEAD BOLT	M12X25	4	
12	<b>00 0239 389 0</b>	CONTACT WASHER	A12	4	
13	<b>00 0235 553 0</b>	HEXAGON HEAD BOLT	M12X45	8	
13	<b>00 0239 389 0</b>	CONTACT WASHER	A12	8	
14	<b>00 2678 073 0</b>	BUSHING	D28XD13X20	8	
15	<b>00 2660 037 1</b>	SUPPORT	4X325,4X374,3	1	
16	<b>00 0218 100 0</b>	HEXAGON HEAD BOLT	M16X1,5X50	8	
16	<b>00 0239 391 0</b>	CONTACT WASHER	A16	8	
17	<b>00 2630 278 0</b>	BUSHING	D34XD16,5X16	8	
18	<b>00 2660 011 1</b>	SUPPORT	4X289,9X325,4	1	
19	<b>00 0238 642 0</b>	HEXAGON HEAD BOLT	M16X110	4	
19	<b>00 0239 391 0</b>	CONTACT WASHER	A16	4	
21	<b>00 2675 827 1</b>	SUPPORT	6X282,6X312,3	1	
22	<b>00 2675 895 0</b>	CONNECTION	6X105,6X120	1	
23	<b>00 2675 831 1</b>	SUPPORT	6X277,3X281,6X	1	
24	<b>00 2680 709 1</b>	ANGLE	6X111X186,6	1	
25	<b>00 0238 976 0</b>	HEXAGON HEAD BOLT	M10X35	2	
25	<b>00 0239 388 0</b>	CONTACT WASHER	A10-10,2X22,25X1,6	2	
25	<b>00 0236 171 0</b>	HEXAGONAL NUT	M10	2	
26	<b>00 0237 453 0</b>	HEXAGON HEAD BOLT	M10X30	3	
26	<b>00 0239 388 0</b>	CONTACT WASHER	A10-10,2X22,25X1,6	3	
26	<b>00 0236 171 0</b>	HEXAGONAL NUT	M10	3	
27	<b>00 2624 789 5</b>	ENGINE MOUNTING	OM936LA 1420	1	
28	<b>00 0235 563 0</b>	HEXAGON HEAD BOLT	M12X100	9	
28	<b>00 0239 389 0</b>	CONTACT WASHER	A12	9	
28	<b>00 0233 103 0</b>	WASHER	13-13X30X6	9	

**1) Equipment**

MD_P02_0902	Mercedes-Benz OM936 LA - 230 kW/313 hp (Stage V)
MD_P02_0903	Mercedes-Benz OM936 LA - 230 kW/313 hp (Stage V), air compressor
MD_P02_0904	Mercedes-Benz OM936 LA - 260 kW/354 hp (Stage V)
MD_P02_0909	Mercedes-Benz OM936 LA - 260 kW/354 hp (Stage V), air compressor

**2) machine no.**

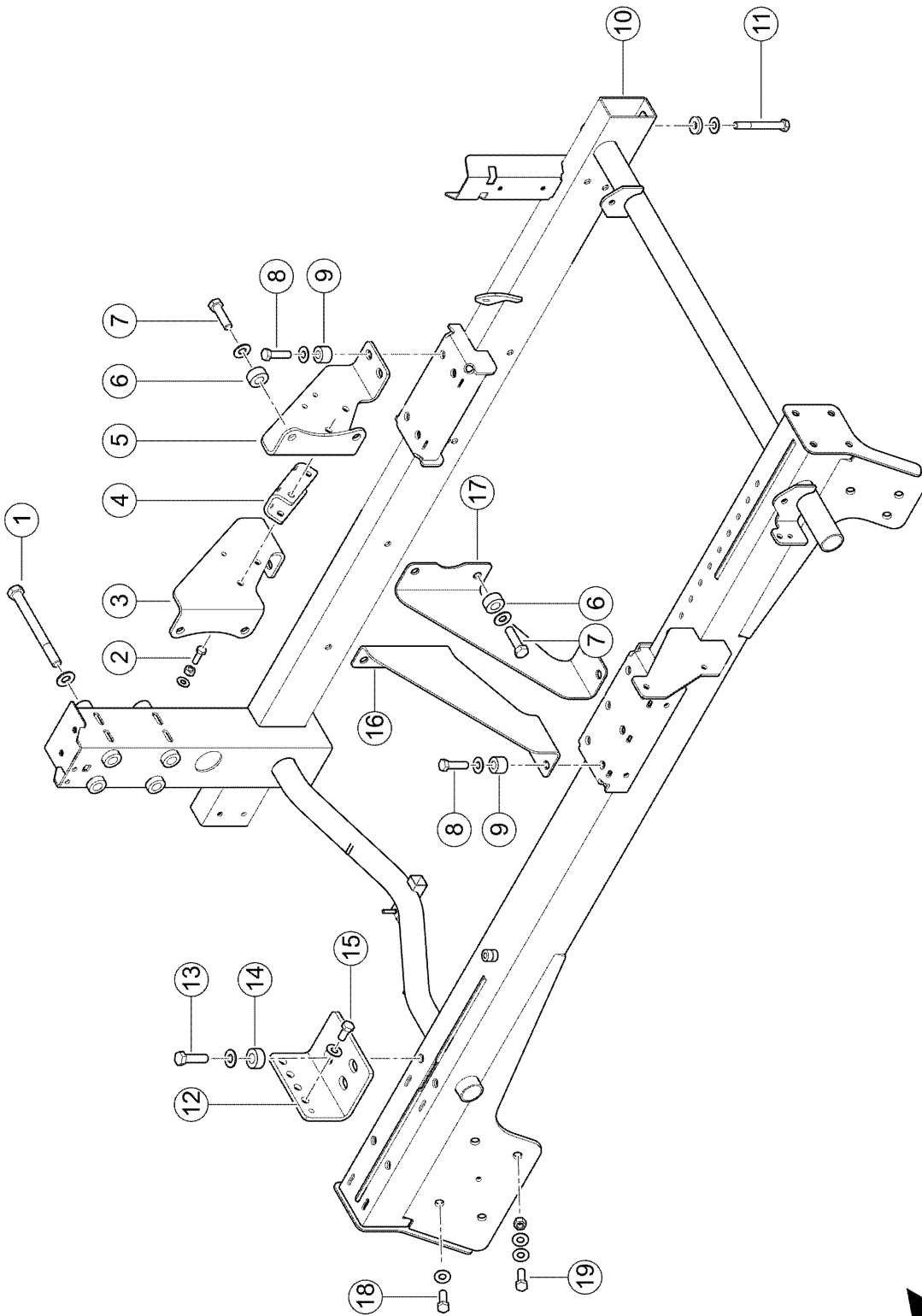
+ up to C8300215

**3) machine no.**

+ from C8300216

**4) machine no.**

+ from C8300011



**100 ENGINE SUSPENSION 1)**

Pos.	Part No.	Description	Dimension	Quantity	Conditions
1	<b>00 0665 457 1</b>	HEX.HEAD BOLT	M16X1,5X170	4	
1	<b>00 0239 391 0</b>	CONTACT WASHER	A16	4	
2	<b>00 0237 453 0</b>	HEXAGON HEAD BOLT	M10X30	4	
2	<b>00 0239 388 0</b>	CONTACT WASHER	A10-10,2X22,25X1,6	4	
2	<b>00 0236 171 0</b>	HEXAGONAL NUT	M10	4	
3	<b>00 2675 893 0</b>	SUPPORT	6X278,6X339,3	1	
4	<b>00 2675 895 0</b>	CONNECTION	6X105,6X120	1	
5	<b>00 2675 894 0</b>	SUPPORT	6X344,3X277,6	1	
6	<b>00 2630 278 0</b>	BUSHING	D34XD16,5X16	8	
7	<b>00 1602 199 0</b>	HEXAGON HEAD BOLT	M14X1,5X50	8	
7	<b>00 0239 390 0</b>	CONTACT WASHER	A14	8	
8	<b>00 0235 553 0</b>	HEXAGON HEAD BOLT	M12X45	8	
8	<b>00 0239 389 0</b>	CONTACT WASHER	A12	8	
9	<b>00 2678 073 0</b>	BUSHING	D28XD13X20	8	
10	<b>00 2626 977 8</b>	ENGINE MOUNTING	OM470LA 1420	1	
11	<b>00 0235 563 0</b>	HEXAGON HEAD BOLT	M12X100	9	
11	<b>00 0239 389 0</b>	CONTACT WASHER	A12	9	
11	<b>00 0233 103 0</b>	WASHER	13-13X30X6	9	
12	<b>00 2658 317 1</b>	SUPPORT	8X150X181,1	1	
13	<b>00 0237 373 0</b>	HEXAGON HEAD BOLT	M14X40	4	
13	<b>00 0239 390 0</b>	CONTACT WASHER	A14	4	
14	<b>00 0238 990 0</b>	WASHER	Ø16,5 X Ø33,5 - 1X5	4	
15	<b>00 0236 056 0</b>	HEXAGON HEAD BOLT	M12X25	4	
15	<b>00 0239 389 0</b>	CONTACT WASHER	A12	4	
16	<b>00 2659 935 1</b>	SUPPORT	4X343,9X311,9	1	
17	<b>00 2659 932 1</b>	SUPPORT	4X343,9X322	1	
18	<b>00 0237 572 0</b>	HEXAGON HEAD BOLT	M12X35	3	
18	<b>00 0239 389 0</b>	CONTACT WASHER	A12	3	
19	<b>00 0237 572 0</b>	HEXAGON HEAD BOLT	M12X35	4	
19	<b>00 0239 389 0</b>	CONTACT WASHER	A12	8	
19	<b>00 0236 172 0</b>	HEXAGONAL NUT	M12	4	

**1) Equipment**

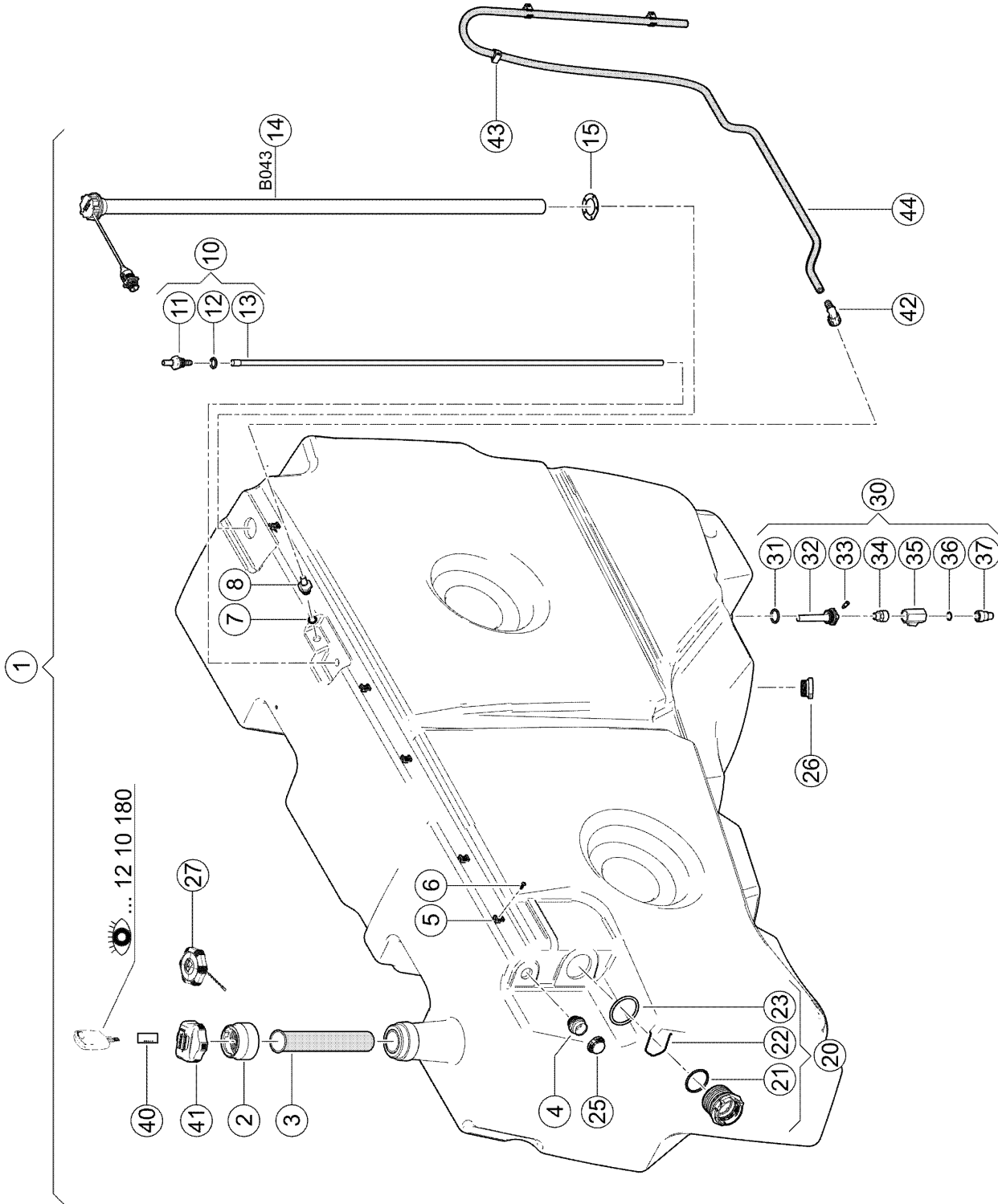
MD\_P02\_0910

Mercedes-Benz OM470 LA - 300 kW/408 hp (Stage V)

MD\_P02\_0911

Mercedes-Benz OM470 LA - 300 kW/408 hp (Stage V), air compressor





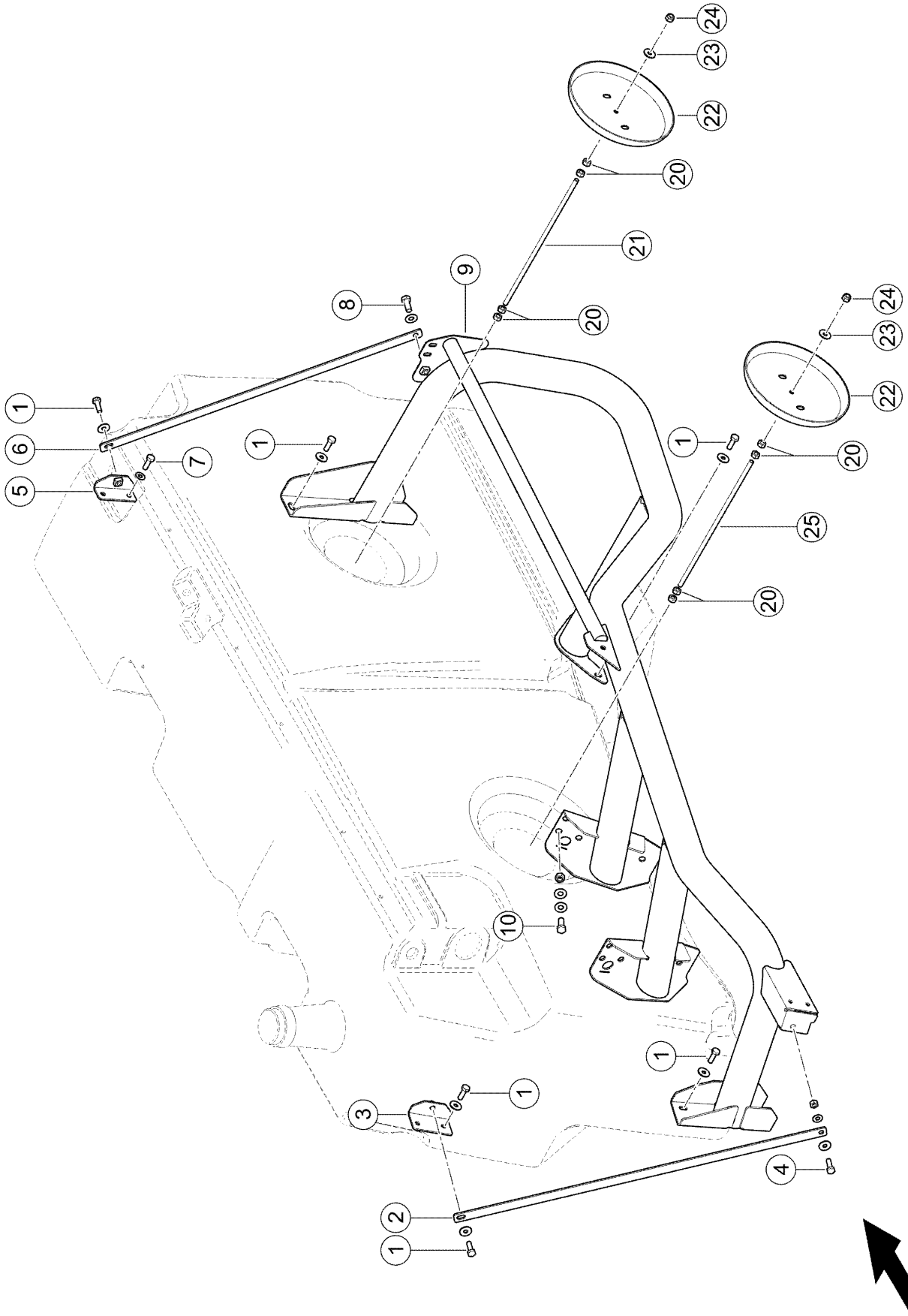
**100 FUEL TANK 1)**

Pos.	Part No.	Description	Dimension	Quantity	Conditions
1	<b>00 1806 979 1</b>	FUEL TANK	950L	1	2)
2	<b>00 2711 224 0</b>	SOCKET	DN 80	1	
3	<b>00 0736 238 0</b>	TANK FILTER		1	
4	<b>00 1802 724 0</b>	SOCKET		1	
5	<b>00 1804 166 0</b>	SUPPORT	10X16X23	8	
6	<b>00 1116 932 0</b>	PT SCREW	K50X16-T20-WN1451	8	
7	<b>00 1828 336 0</b>	O-RING	19X4-N	1	
8	<b>00 2702 171 0</b>	VENTILATION	G1/2"ROLLOVER MIT 1/2" S	1	3)
10	<b>00 2752 258 0</b>	RETURN PIPE	LANG FUER 900LTR TANK	1	4)
11	<b>00 1828 333 0</b>	ADAPTER		1	5)
12	<b>00 1828 336 0</b>	O-RING	19X4-N	1	
13	<b>00 0205 206 0</b>	TUBE	D12,5X1,25	1	6)
14	<b>00 0016 596 3</b>	LEVEL INDICATOR	L=1320MM	1	7)
14	<b>00 0783 653 0</b>	PT SCREW	6ST 4X40	1	8)
15	<b>00 0794 993 0</b>	GASKET	VORRATSGEBER	1	
20	<b>00 1804 006 3</b>	CLUTCH	PS3-NW50-M76X6	1	9)
21	<b>00 1805 152 0</b>	O-RING	56X4 VITON 60	1	
22	<b>00 1805 151 0</b>	BRACKET	NQ PS3 NW5 VERRIEGELUNG	1	
23	<b>00 0505 956 1</b>	O-RING	68,7 X 6	1	
25	<b>00 0217 912 0</b>	BLIND PLUG	NQ V2-NW27	1	
26	<b>00 1802 723 0</b>	BLIND PLUG		1	
27	<b>00 0034 018 0</b>	CAP		1	10)
30	<b>00 1805 691 0</b>	CONNECTION	W-ABLASS PS3-NW12	1	11)
31	<b>00 0217 459 1</b>	O-RING	27X4,0 -N	1	
32	<b>00 0783 643 1</b>	PLUG	WASSER + G3/8"	1	
33	<b>00 0687 625 1</b>	HEXAGON HEAD BOLT	M8X17 F. TANK WASSERABLA	1	
34	<b>00 1805 689 1</b>	DOUBLE NIPPLE	G3/4AG - G3/8AG	1	
35	<b>00 1805 688 0</b>	BALL-TYPE TAP	IG + IG G3/4" LW 12	1	
36	<b>00 0132 263 0</b>	O-RING	017-17,17 X1,78 -N	1	
37	<b>00 1805 690 0</b>	ADAPTER	G3/4"AG / PS3 NW12	1	
40	<b>00 0536 215 0</b>	LOCKING CYLINDER	TANK,STANDARD SCHLIESSUN	1	12)
40	<b>00 0536 225 0</b>	LOCKING CYLINDER	TANK,INDIVIDUELLE SCHLIE	1	13)
41	<b>00 0536 232 0</b>	CAP	DV80A M. SCHLOSS	1	14)
42	<b>00 0798 863 0</b>	CONNECTOR	NORMAQUICK S NW 1/2"-10-	1	
43	<b>00 0013 152 0</b>	CABLE CLAMP	NW 13	3	
44	<b>00 2683 227 0</b>	HOSE PIPE		1	

<b>1)</b>	<b>Equipment</b>	MD_P14_0095	Fuel tank 950 litres
<b>2)</b>	<b>Remarks</b>		with Item 2 - 27
<b>3)</b>	<b>Remarks</b>		with Item 7
<b>4)</b>	<b>Remarks</b>		with Item 11 - 13
<b>5)</b>	<b>Remarks</b>		with Item 12
<b>6)</b>	<b>Remarks</b>		1290mm long
<b>7)</b>	<b>CCN</b>	CCN-B043	fuel level sensor
<b>8)</b>	<b>Remarks</b>		set

**100 FUEL TANK 1)**

<b>9) Remarks</b>		with Item 21 - 23
<b>10) Remarks</b>		Standard
<b>11) Remarks</b>		with Item 31 - 37
<b>12) Equipment</b>		
	MD_Q18_0010	Locking system, standard
	MD_Q18_0030	Locking system, standard incl. immobiliser
<b>13) Equipment</b>		
	MD_Q18_0020	Locking system, individual
<b>14) Equipment</b>		
	MD_Q18_0020	Locking system, individual
	MD_Q18_0030	Locking system, standard incl. immobiliser



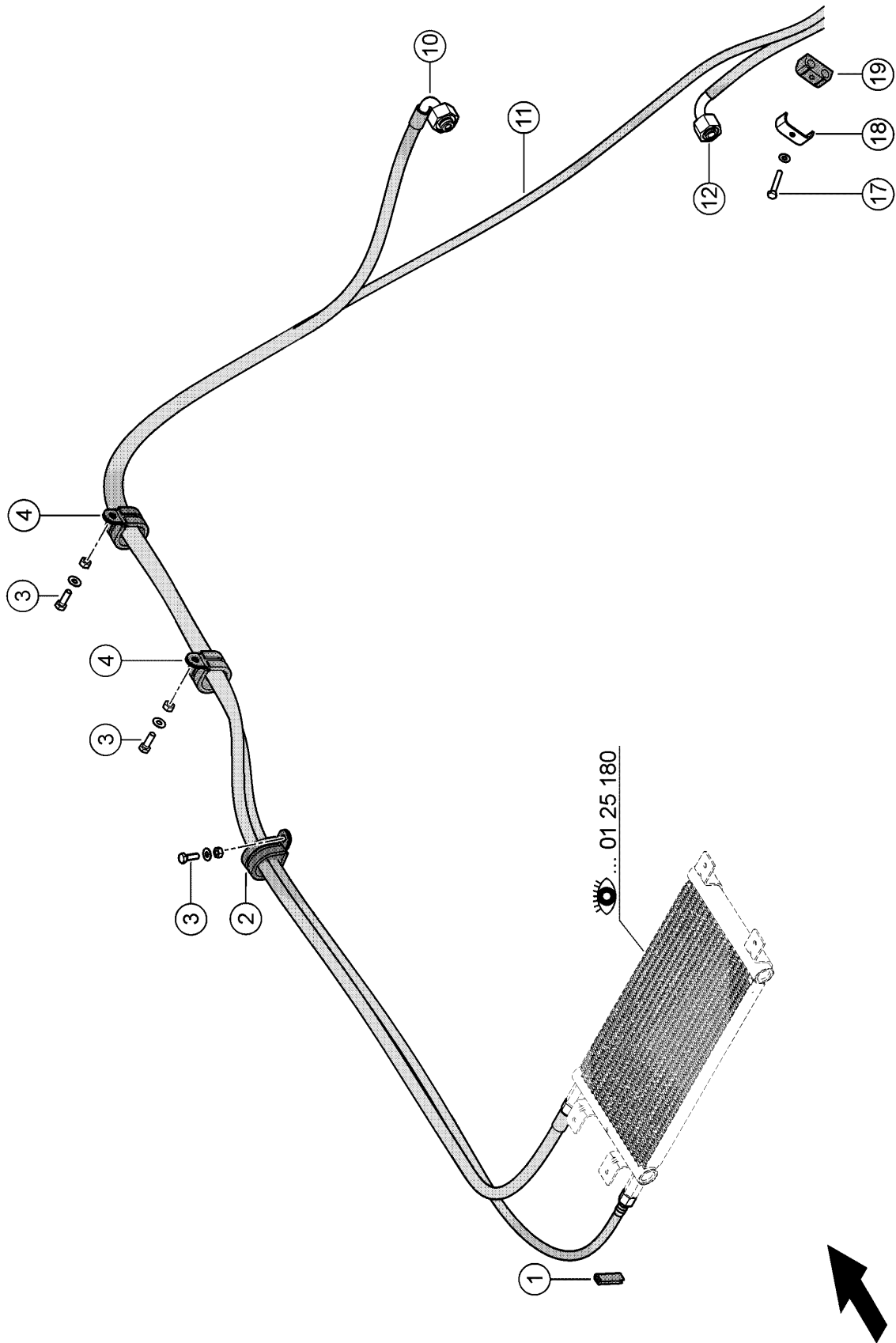
**100 FUEL TANK 1)**

Pos.	Part No.	Description	Dimension	Quantity	Conditions
1	<b>00 0237 453 0</b>	HEXAGON HEAD BOLT	M10X30	13	
1	<b>00 0239 394 1</b>	CONTACT WASHER	B10	13	
2	<b>00 1824 695 0</b>	PULL ROD	4X25X873.1	1	
3	<b>00 1824 696 0</b>	SUPPORT		1	
4	<b>00 0237 453 0</b>	HEXAGON HEAD BOLT	M10X30	1	
4	<b>00 0239 394 1</b>	CONTACT WASHER	B10	1	
4	<b>00 0239 389 0</b>	CONTACT WASHER	A12	1	
4	<b>00 0237 886 0</b>	HEXAGONAL NUT	M10	1	
5	<b>00 1824 693 0</b>	SUPPORT		1	
6	<b>00 1824 692 0</b>	PULL ROD	4X25X783.1	1	
7	<b>00 0237 453 0</b>	HEXAGON HEAD BOLT	M10X30	2	
7	<b>00 0239 388 0</b>	CONTACT WASHER	A10-10,2X22,25X1,6	2	
8	<b>00 0237 461 0</b>	HEXAGON HEAD BOLT	M12X30	1	
8	<b>00 0239 389 0</b>	CONTACT WASHER	A12	1	
9	<b>00 1806 875 1</b>	TANK SUPPORT	950LTR.	1	
10	<b>00 0237 461 0</b>	HEXAGON HEAD BOLT	M12X30	10	
10	<b>00 0239 389 0</b>	CONTACT WASHER	A12	20	
10	<b>00 0236 172 0</b>	HEXAGONAL NUT	M12	10	
20	<b>00 0236 171 0</b>	HEXAGONAL NUT	M10	8	
21	<b>00 2741 339 0</b>	THREADED ROD	M10X510	1	
22	<b>00 0548 224 1</b>	WASHER		2	
23	<b>00 0239 394 1</b>	CONTACT WASHER	B10	2	
24	<b>00 0238 316 0</b>	LOCK NUT	M10	2	
25	<b>00 1824 686 1</b>	THREADED ROD	M10X380	1	

**1) Equipment**

MD\_P14\_0095

Fuel tank 950 litres



**140 FUEL PIPES 1)**

Pos.	Part No.	Description	Dimension	Quantity	Conditions
1	<b>00 0205 608 0</b>	EDGE PROTECTOR	9X13-3,5	1	2)
2	<b>00 0211 709 0</b>	HOLDER CLAMP	D1-50X25	1	
3	<b>00 0237 442 0</b>	HEXAGON HEAD BOLT	M8X25	4	
3	<b>00 0239 387 0</b>	CONTACT WASHER	A8-8,2X18X1,4	4	
3	<b>00 0236 170 0</b>	HEXAGONAL NUT	M8	4	
4	<b>00 0211 709 0</b>	HOLDER CLAMP	D1-50X25	3	
10	<b>00 2625 456 0</b>	FUEL PIPE	C83-OM936-MOTOR	1	
11	<b>00 2623 598 1</b>	LINE	ZU KÜHLE C83-OM936-KÜHLER	1	
11	<b>00 0798 863 0</b>	CONNECTOR	ZU TANK NORMAQUICK S NW	1	
11	<b>00 0215 167 0</b>	CONNECTION	1/2"-10- D16X1,5-10	1	
11	<b>00 0216 006 0</b>	UNION NUT	BLL10	1	
12	<b>00 2623 578 1</b>	FUEL PIPE	C8X-OM936-ELEVAT	1	3)
12	<b>00 0068 687 1</b>	CONNECTION	OR ZU MO M18X1,5-10/100GRAD	1	4)
12	<b>00 2400 741 0</b>	CONNECTION	KRAFT DN10	1	4)
12	<b>00 2623 578 2</b>	FUEL PIPE	C8X-OM936-ELEVAT	1	5)
17	<b>00 0237 444 0</b>	HEXAGON HEAD BOLT	OR ZU MO M8-45	1	
17	<b>00 0239 387 0</b>	CONTACT WASHER	A8-8,2X18X1,4	1	
18	<b>00 0683 254 0</b>	CLAMP BRACKET	2X18X25X3	1	
19	<b>00 0697 807 0</b>	RUBBER BEARING	12/12	1	

**1) Equipment**

MD_P02_0902	Mercedes-Benz OM936 LA - 230 kW/313 hp (Stage V)
MD_P02_0903	Mercedes-Benz OM936 LA - 230 kW/313 hp (Stage V), air compressor
MD_P02_0904	Mercedes-Benz OM936 LA - 260 kW/354 hp (Stage V)
MD_P02_0909	Mercedes-Benz OM936 LA - 260 kW/354 hp (Stage V), air compressor

**2) Remarks**

40 mm long

**3) machine no.**

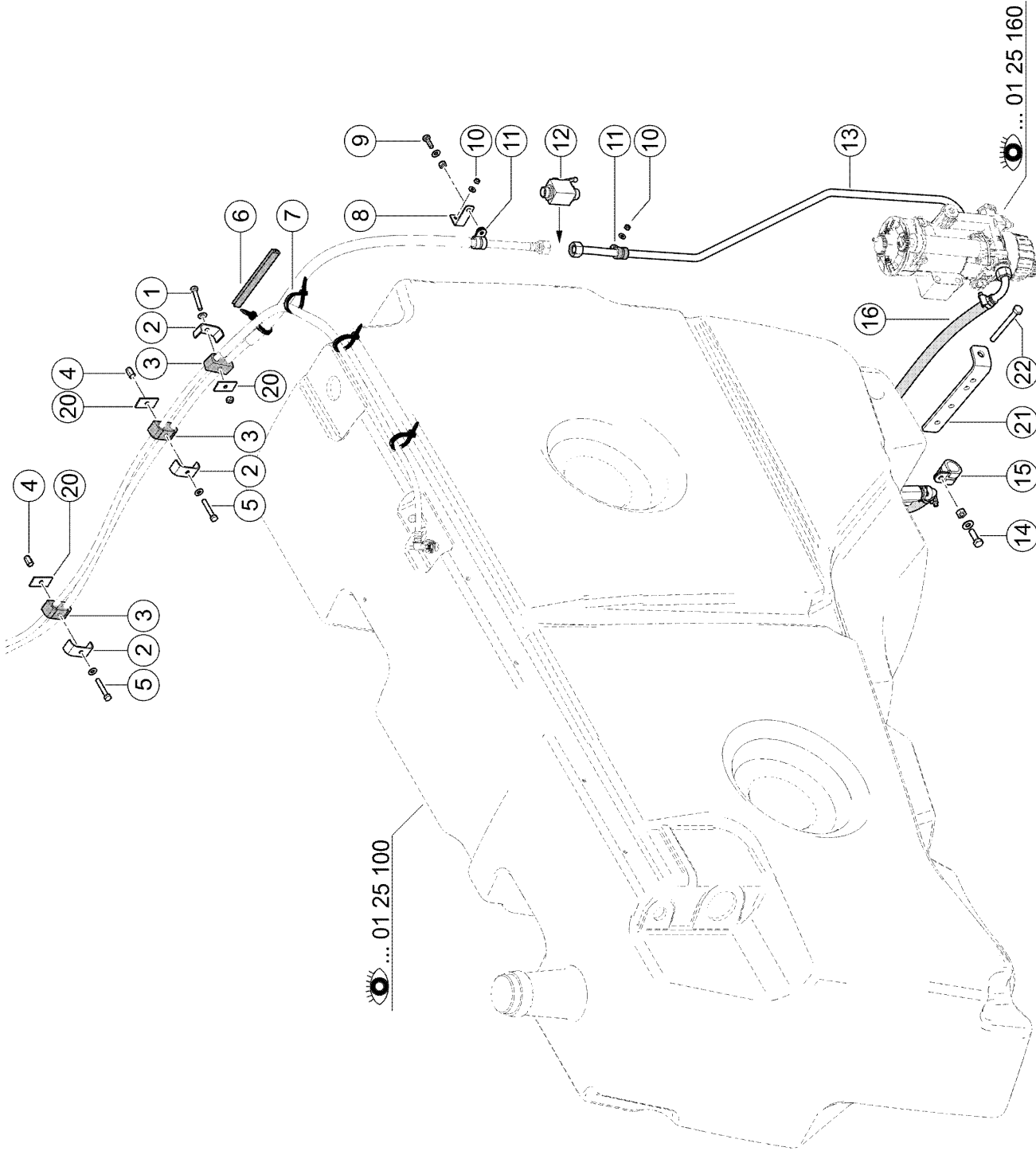
+ up to C8300026

**4) machine no.**

+ from C8300011

**5) machine no.**

+ from C8300027



E0596 0125A140A 2





**140 FUEL PIPES 1)**

Pos.	Part No.	Description	Dimension	Quantity	Conditions
1	<b>00 0238 125 0</b>	HEXAGON HEAD BOLT	M8X40	1	
1	<b>00 0239 387 0</b>	CONTACT WASHER	A8-8,2X18X1,4	1	
1	<b>00 0238 132 0</b>	LOCK NUT	M8	1	
2	<b>00 0683 254 0</b>	CLAMP BRACKET	2X18X25X3	3	
3	<b>00 0697 807 0</b>	RUBBER BEARING	12/12	3	
4	<b>00 0215 913 0</b>	RIVETING NUT	M 8X20, 5-SW11-KL=3-5,5	2	
5	<b>00 0237 444 0</b>	HEXAGON HEAD BOLT	M8-45	2	
5	<b>00 0239 387 0</b>	CONTACT WASHER	A8-8,2X18X1,4	2	
6	<b>00 0205 608 0</b>	EDGE PROTECTOR	9X13-3,5	1	2)
7	<b>00 0697 798 0</b>	CABLE TIE	7,6X290X1,9	4	
8	<b>00 2666 840 0</b>	SUPPORT	2.5X20X86	1	
9	<b>00 0237 442 0</b>	HEXAGON HEAD BOLT	M8X25	1	
9	<b>00 0239 387 0</b>	CONTACT WASHER	A8-8,2X18X1,4	1	
9	<b>00 0236 170 0</b>	HEXAGONAL NUT	M8	1	
10	<b>00 0239 386 0</b>	CONTACT WASHER	A 6	2	
10	<b>00 0236 169 0</b>	HEXAGONAL NUT	M6	2	
11	<b>00 0812 991 0</b>	HOLDER CLAMP	D1-15X20	2	
12	<b>00 2599 026 1</b>	BALL-TYPE TAP	L15-M22X1,5 HEBEL L 60 M	1	
13	<b>00 2659 245 0</b>	PIPE	D15X1.5X1092	1	
14	<b>00 0237 442 0</b>	HEXAGON HEAD BOLT	M8X25	1	
14	<b>00 0239 387 0</b>	CONTACT WASHER	A8-8,2X18X1,4	1	
14	<b>00 0236 170 0</b>	HEXAGONAL NUT	M8	1	
15	<b>00 1992 720 0</b>	HOLDER CLAMP	D1-22X20	1	
16	<b>00 2625 331 0</b>	LINE	TANK ZU FILTER - C83/C85	1	3)
16	<b>00 0796 220 1</b>	CONNECTION	SWE90-L15-12 (N90-M22X1, 90°;PS3 NW12	1	4)
16	<b>00 1805 672 0</b>	CONNECTOR	90°;PS3 NW12	1	4)
16	<b>00 0408 552 2</b>	HOSE CLAMP	A-12-22X9	2	4)
16	<b>00 2737 200 1</b>	FUEL PIPE		1	5)
20	<b>00 0656 255 0</b>	COUNTER PLATE	25X3X46	1	
21	<b>00 0077 535 1</b>	SUPPORT	30X5X219	1	6)
22	<b>00 0237 452 0</b>	HEXAGON HEAD BOLT	M 8X85	1	6)

**1) Equipment**

MD_P02_0902	Mercedes-Benz OM936 LA - 230 kW/313 hp (Stage V)
MD_P02_0903	Mercedes-Benz OM936 LA - 230 kW/313 hp (Stage V), air compressor
MD_P02_0904	Mercedes-Benz OM936 LA - 260 kW/354 hp (Stage V)
MD_P02_0909	Mercedes-Benz OM936 LA - 260 kW/354 hp (Stage V), air compressor

**2) Remarks**

120 mm long

**3) machine no.**

+ up to C8300026

**4) machine no.**

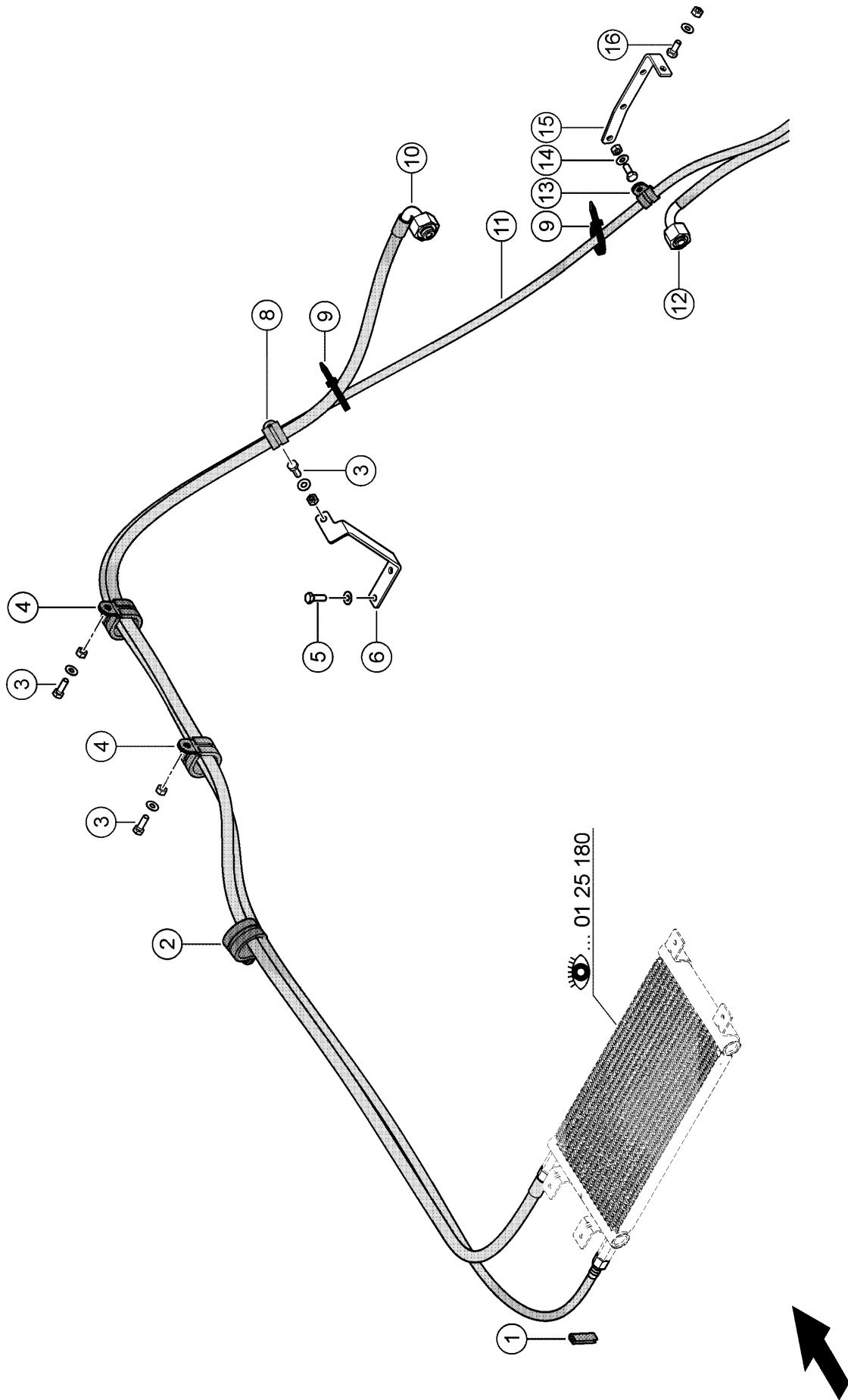
+ from C8300011

**5) machine no.**

+ from C8300027

**6) Equipment**

MD_E04_0031	JET STREAM cleaning
MD_E04_0032	JET STREAM cleaning, incl. airflow reduction, grass seed



**140 FUEL PIPES 1)**

Pos.	Part No.	Description	Dimension	Quantity	Conditions
1	<b>00 0205 608 0</b>	EDGE PROTECTOR	9X13-3,5	1	2)
2	<b>00 0211 239 0</b>	HOLDER CLAMP	D1-43X25	1	
3	<b>00 0237 442 0</b>	HEXAGON HEAD BOLT	M8X25	3	
3	<b>00 0239 387 0</b>	CONTACT WASHER	A8-8,2X18X1,4	3	
3	<b>00 0236 170 0</b>	HEXAGONAL NUT	M8	3	
4	<b>00 0215 079 0</b>	HOLDER CLAMP	D1-38X25	2	
5	<b>00 0237 442 0</b>	HEXAGON HEAD BOLT	M8X25	2	
5	<b>00 0239 387 0</b>	CONTACT WASHER	A8-8,2X18X1,4	2	
6	<b>00 2596 068 0</b>	SUPPORT	4X52X257	1	
8	<b>00 0215 394 0</b>	HOLDER CLAMP	D1-24X20	1	
9	<b>00 0697 798 0</b>	CABLE TIE	7,6X290X1,9	2	
10	<b>00 0773 089 2</b>	FUEL PIPE	MOTOR-KUEHLER	1	
11	<b>00 0477 788 0</b>	CORRUGAT. CONDUIT	NW 13 X 50000 - 1ROLLE	1	3)
11	<b>00 0205 206 0</b>	TUBE	D12,5X1,25	1	4)
11	<b>00 0798 863 0</b>	CONNECTOR	NORMAQUICK S NW 1/2"-10-	1	
11	<b>00 0215 167 0</b>	CONNECTION	D16X1,5-10	1	
11	<b>00 0216 006 0</b>	UNION NUT	BLL10	1	
12	<b>00 0412 004 0</b>	CORRUGAT. CONDUIT	NW 17	1	5)
12	<b>00 0205 675 0</b>	TUBE	15X1,5	1	6)
12	<b>00 0582 424 1</b>	CONNECTION	SWS-L15-12 (N-M22X1,5)	1	
12	<b>00 2598 550 1</b>	CONNECTION	KRAFTSTOFFFARMAT UR DN12	1	
13	<b>00 0216 341 0</b>	HOLDER CLAMP	D1-12X20	1	
14	<b>00 0237 442 0</b>	HEXAGON HEAD BOLT	M8X25	1	
14	<b>00 0239 387 0</b>	CONTACT WASHER	A8-8,2X18X1,4	1	
14	<b>00 0236 170 0</b>	HEXAGONAL NUT	M8	1	
15	<b>00 2633 797 0</b>	SUPPORT	4X223X29	1	
16	<b>00 0237 442 0</b>	HEXAGON HEAD BOLT	M8X25	1	
16	<b>00 0239 387 0</b>	CONTACT WASHER	A8-8,2X18X1,4	1	
16	<b>00 0236 170 0</b>	HEXAGONAL NUT	M8	1	

**1) Equipment**MD\_P02\_0910  
MD\_P02\_0911Mercedes-Benz OM470 LA - 300 kW/408 hp (Stage V)  
Mercedes-Benz OM470 LA - 300 kW/408 hp (Stage V), air compressor**2) Remarks**

40 mm long

**3) Remarks**

400 mm long

**4) Remarks**

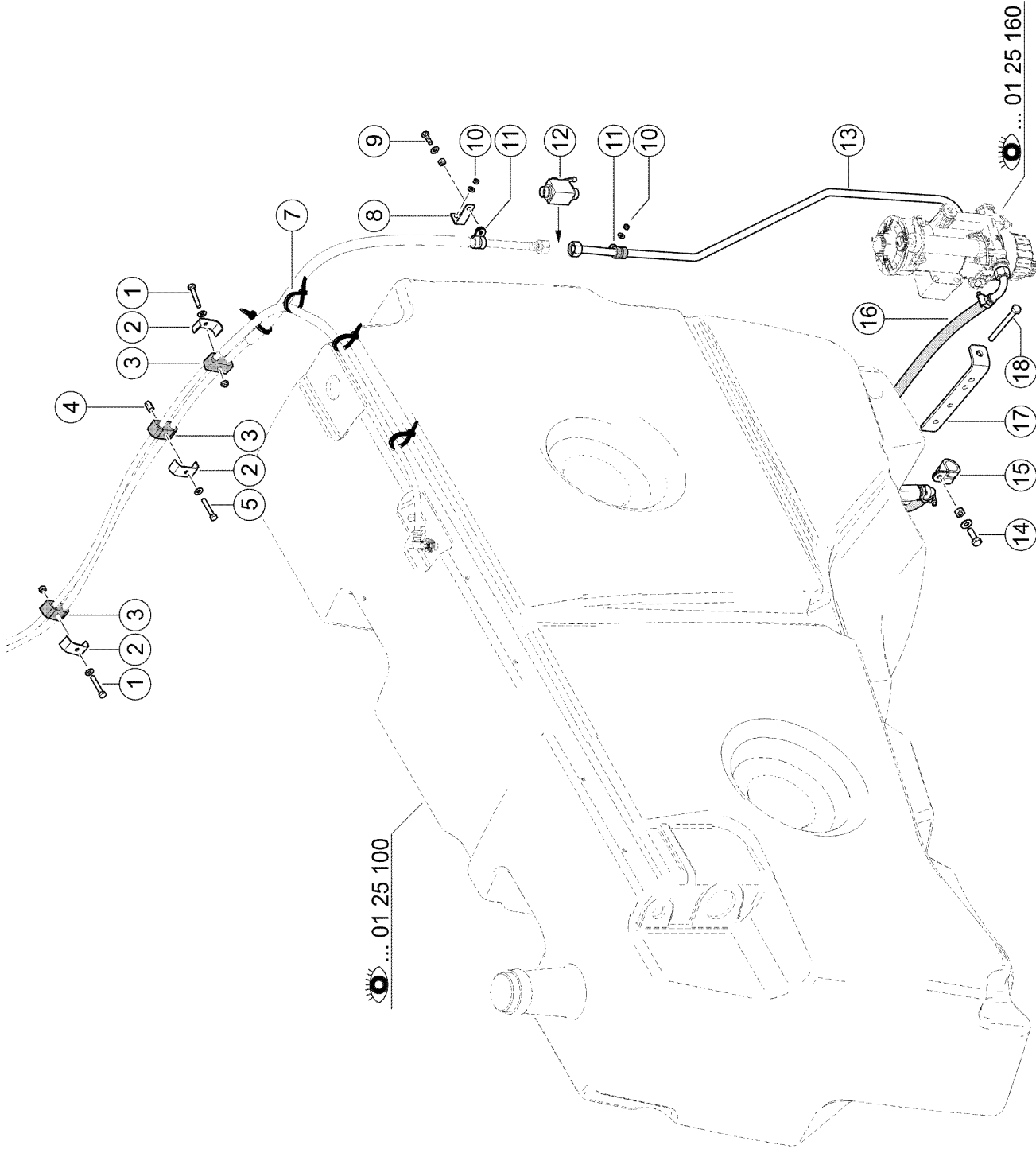
4879 mm long

**5) Remarks**

610 mm long

**6) Remarks**

1960 mm long



**140 FUEL PIPES 1)**

Pos.	Part No.	Description	Dimension	Quantity	Conditions
1	<b>00 0244 223 0</b>	HEXAGON HEAD BOLT	M 8X50	2	
1	<b>00 0239 387 0</b>	CONTACT WASHER	A8-8,2X18X1,4	2	
1	<b>00 0238 132 0</b>	LOCK NUT	M8	2	
2	<b>00 0672 209 0</b>	ATTACHING CLAMP	BSS 2X22X25X3	3	
3	<b>00 0683 659 0</b>	RUBBER BEARING	15/15	3	
4	<b>00 0215 913 0</b>	RIVETING NUT	M 8X20, 5-SW11-KL=3-5,5	1	
5	<b>00 0244 223 0</b>	HEXAGON HEAD BOLT	M 8X50	1	
5	<b>00 0239 387 0</b>	CONTACT WASHER	A8-8,2X18X1,4	1	
7	<b>00 0697 798 0</b>	CABLE TIE	7,6X290X1,9	4	
8	<b>00 2666 840 0</b>	SUPPORT	2.5X20X86	1	
9	<b>00 0237 442 0</b>	HEXAGON HEAD BOLT	M8X25	1	
9	<b>00 0239 387 0</b>	CONTACT WASHER	A8-8,2X18X1,4	1	
9	<b>00 0236 170 0</b>	HEXAGONAL NUT	M8	1	
10	<b>00 0239 386 0</b>	CONTACT WASHER	A 6	2	
10	<b>00 0236 169 0</b>	HEXAGONAL NUT	M6	2	
11	<b>00 0812 991 0</b>	HOLDER CLAMP	D1-15X20	2	
12	<b>00 2599 026 1</b>	BALL-TYPE TAP	L15-M22X1,5 HEBEL L 60 M	1	
13	<b>00 2659 245 0</b>	PIPE	D15X1.5X1092	1	
14	<b>00 0237 442 0</b>	HEXAGON HEAD BOLT	M8X25	1	
14	<b>00 0239 387 0</b>	CONTACT WASHER	A8-8,2X18X1,4	1	
14	<b>00 0236 170 0</b>	HEXAGONAL NUT	M8	1	
15	<b>00 1992 720 0</b>	HOLDER CLAMP	D1-22X20	1	
16	<b>00 2737 200 1</b>	FUEL PIPE		1	
16	<b>00 0796 220 1</b>	CONNECTION	SWE90-L15-12 (N90-M22X1, 90°;PS3 NW12	1	
16	<b>00 1805 672 0</b>	CONNECTOR	A-12-22X9	2	
16	<b>00 0408 552 2</b>	HOSE CLAMP		2	
17	<b>00 0077 535 1</b>	SUPPORT	30X5X219	1	2)
18	<b>00 0237 452 0</b>	HEXAGON HEAD BOLT	M 8X85	1	2)

**1) Equipment**MD\_P02\_0910  
MD\_P02\_0911Mercedes-Benz OM470 LA - 300 kW/408 hp (Stage V)  
Mercedes-Benz OM470 LA - 300 kW/408 hp (Stage V), air compressor**2) Equipment**MD\_E04\_0031  
MD\_E04\_0032JET STREAM cleaning  
JET STREAM cleaning, incl. airflow reduction, grass seed

Thank you so much for reading.  
Please click the “Buy Now!”  
button below to download the  
complete manual.



After you pay.

You can download the most  
perfect and complete manual in  
the world immediately.

Our support email:

[ebooklibonline@outlook.com](mailto:ebooklibonline@outlook.com)