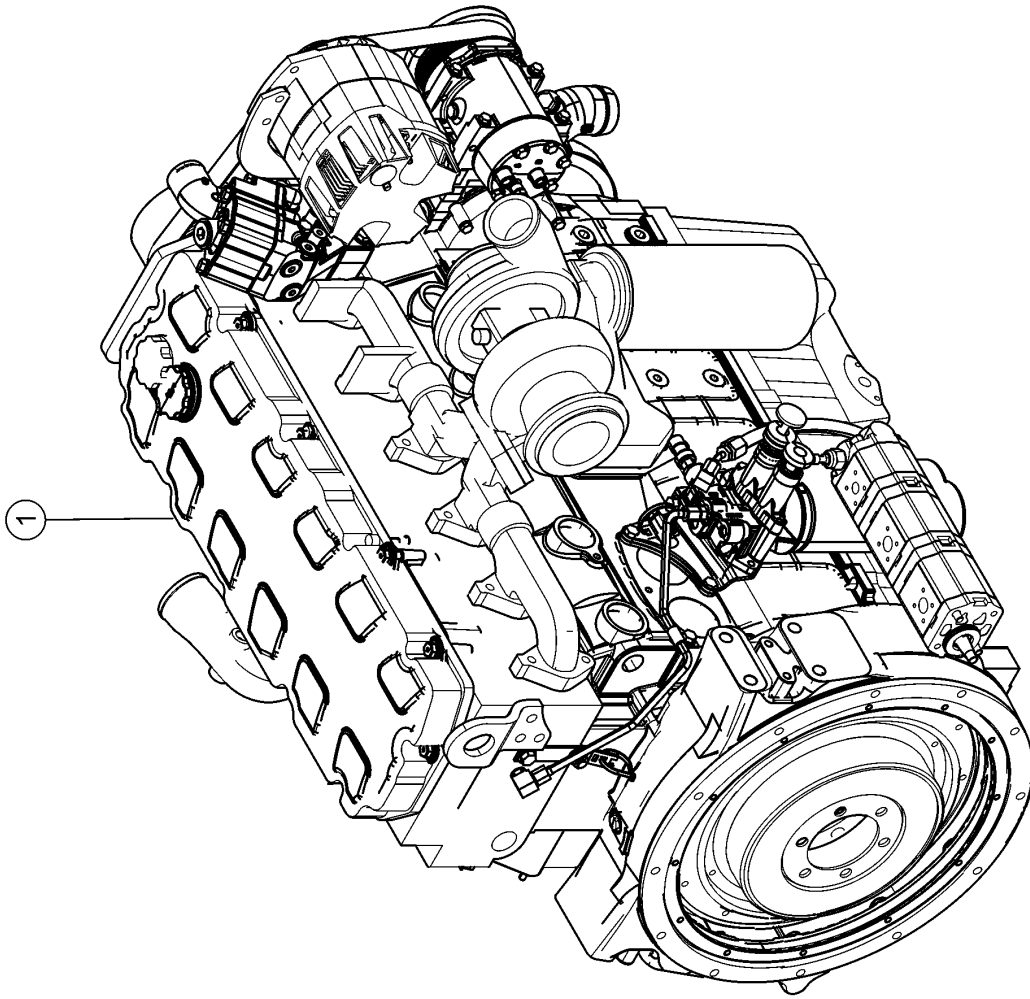


1000

17623z00



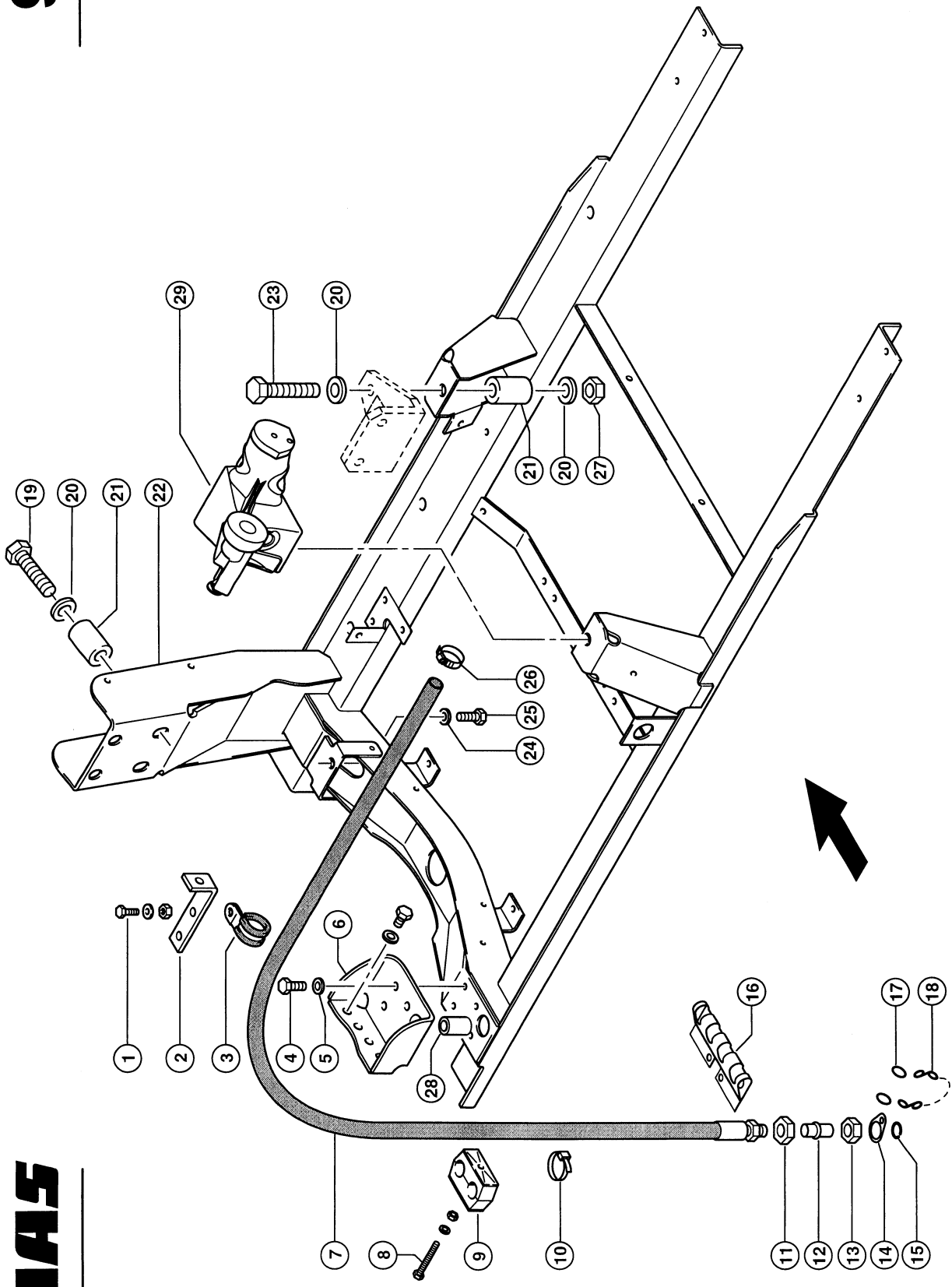
**LEXION®**

**010 COMPLETE ENGINE**

Pos.	Part No.	Description	Dimension	Quantity	Conditions
1	<b>00 0798 013 1</b>	ENGINE	C9 261KW TIER3	1	1)
1	<b>00 0796 891 1</b>	ENGINE	C9 261KW	1	2)
<b>1)</b>	<b>Equipment</b>	MD_P02_0650	CAT C9 engine (EWG258kW/ECE243kW)		
<b>2)</b>	<b>Equipment</b>	MD_P02_0651	CAT C9 engine (EWG258kW/ECE243kW) with air compressor system		

969

CLAAS



17194z00  
LEXION 560-550 MONTANA

132310/02

**ENGINE CAT C9; BASE, OIL DRAIN HOSE 1)**

Pos.	Part No.	Description	Dimension	Quantity	Conditions
1	<b>00 0236 200 0</b>	HEXAGON HEAD BOLT	M8X20	1	
1	<b>00 0239 387 0</b>	CONTACT WASHER	A8-8,2X18X1,4	1	
1	<b>00 0236 170 0</b>	HEXAGONAL NUT	M8	1	
2	<b>00 0073 012 1</b>	ANGLE	30X5X160	1	
3	<b>00 0215 394 0</b>	HOLDER CLAMP	D1-24X20	2	
4	<b>00 0237 461 0</b>	HEXAGON HEAD BOLT	M12X30	4	
5	<b>00 0239 389 0</b>	CONTACT WASHER	A12	4	
6	<b>00 0760 949 2</b>	SUPPORT REAR		1	
7	<b>00 0350 390 1</b>	OIL DRAIN HOSE		1	
8	<b>00 0235 522 0</b>	HEXAGON HEAD BOLT	M8 X 65	2	
8	<b>00 0239 387 0</b>	CONTACT WASHER	A8-8,2X18X1,4	2	
8	<b>00 0236 170 0</b>	HEXAGONAL NUT	M8	2	
9	<b>00 0689 060 0</b>	CLAMP	Z KP-3-R-25-25-PA	1	
10	<b>00 0697 798 0</b>	CABLE TIE	7,6X290X1,9	2	
11	<b>00 0236 327 0</b>	HEXAGONAL NUT	M22X1,5	1	
12	<b>00 0077 528 1</b>	DRAIN FITTING	D18,1X51,5	1	
13	<b>00 0633 589 1</b>	UNION NUT	A3 L15	1	
14	<b>00 0077 529 0</b>	STRAP	1,0X0026X0041	1	
15	<b>00 0215 080 0</b>	SNAP RING	A 14	1	
16	<b>00 0771 504 0</b>	SUPPORT	3,0X126X230	1	
17	<b>00 0002 846 0</b>	RING	SPIRALFÖRMIG OFFEN2 16 X		
18	<b>00 0002 848 0</b>	KNOT CHAIN	1,8X 25X 6GL	1	
19	<b>00 0215 631 0</b>	HEXAGON HEAD BOLT	3/4-10UNC-2AX4 1/2	4	
20	<b>00 0212 191 0</b>	CONTACT WASHER	A20	8	
21	<b>00 0796 231 0</b>	BUSHING	D42D20.5X62	6	
22	<b>00 0761 900 2</b>	ENGINE MOUNTING	C-9 - TYP584	1	
23	<b>00 0211 186 0</b>	HEXAGON HEAD BOLT	M20X130	2	
24	<b>00 0239 389 0</b>	CONTACT WASHER	A12	1	
25	<b>00 0211 465 0</b>	HEX.HEAD BOLT	1/2-13UNC-2AX1 1/2	1	
26	<b>00 0408 554 2</b>	HOSE CLAMP	W.ERS.D.4085543	1	
27	<b>00 0237 521 0</b>	HEX.NUT	M20	2	
28	<b>00 0796 273 0</b>	BUSHING	D32/D18X50	2	2)
29	<b>00 0796 942 1</b>	ENGINE SUPPORT		1	3)
29	<b>00 0214 367 0</b>	SOCKET HEAD SCREW	M16X 40	4	4)
29	<b>00 0215 291 1</b>	WASHER	16 -16,2X24,6X3,5	4	4)

**1) Remarks**

P02/510 = Cat C9-Abgasstufe 2  
P02/511 = Cat C9-Abgasstufe 2  
P02/650 = Cat C9-Abgasstufe 3a  
P02/651 = Cat C9-Abgasstufe 3a

**2) Remarks**

at Emission Standard 3a

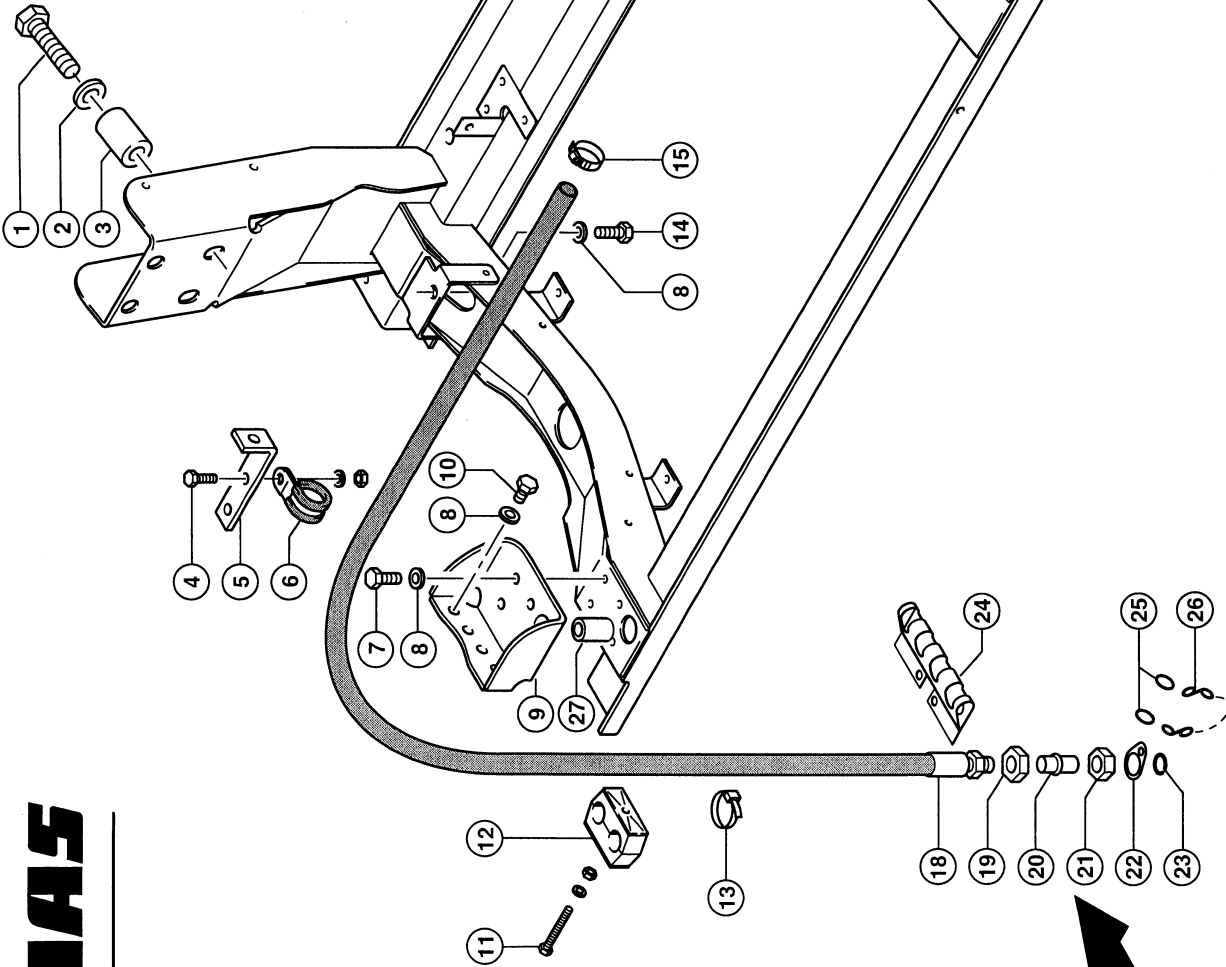
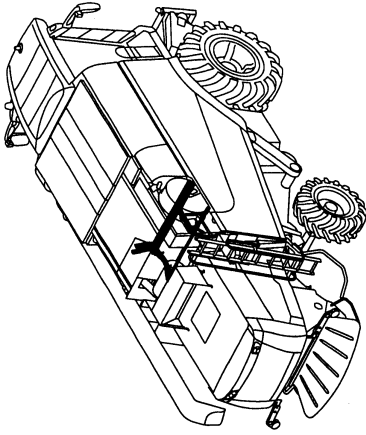
**3) Remarks**

C9-Exhaust Level 3a

**4) Remarks**

C9-Abgasstufe 3A

970



16774z01  
LEXION 560-550 MONTANA

CLAAS

132312/01



**ENGINE C13,C10; BASE, OIL DRAIN HOSE 1)**

Pos.	Part No.	Description	Dimension	Quantity	Conditions
1	<b>00 0215 631 0</b>	HEXAGON HEAD BOLT	3/4-10UNC-2AX4 1/2	4	
2	<b>00 0212 191 0</b>	CONTACT WASHER	A20	4	
3	<b>00 0796 231 0</b>	BUSHING	D42D20.5X62	6	
4	<b>00 0237 442 0</b>	HEXAGON HEAD BOLT	M8X25	1	
4	<b>00 0236 170 0</b>	HEXAGONAL NUT	M8	1	
4	<b>00 0239 387 0</b>	CONTACT WASHER	A8-8,2X18X1,4	1	
5	<b>00 0073 012 1</b>	ANGLE	30X5X160	1	
6	<b>00 0215 394 0</b>	HOLDER CLAMP	D1-24X20	2	
7	<b>00 0237 461 0</b>	HEXAGON HEAD BOLT	M12X30	4	
8	<b>00 0239 389 0</b>	CONTACT WASHER	A12	8	
9	<b>00 0760 949 2</b>	SUPPORT REAR		1	
10	<b>00 0237 458 0</b>	HEXAGON HEAD BOLT	M12X20	4	
11	<b>00 0235 522 0</b>	HEXAGON HEAD BOLT	M8 X 65	2	
11	<b>00 0236 170 0</b>	HEXAGONAL NUT	M8	2	
11	<b>00 0239 387 0</b>	CONTACT WASHER	A8-8,2X18X1,4	2	
12	<b>00 0689 060 0</b>	CLAMP	Z KP-3-R-25-25-PA	1	
13	<b>00 0697 798 0</b>	CABLE TIE	7,6X290X1,9	2	
14	<b>00 0211 465 0</b>	HEX.HEAD BOLT	1/2-13UNC-2AX1 1/2	1	
15	<b>00 0408 554 2</b>	HOSE CLAMP	W.ERS.D.4085543	1	
16	<b>00 0211 573 0</b>	HEXAGON HEAD BOLT	M18-100	2	
16	<b>00 0212 191 0</b>	CONTACT WASHER	A20	4	
16	<b>00 0242 848 0</b>	HEXAGONAL NUT	M18	2	
17	<b>00 0761 931 2</b>	ENGINE MOUNTING		1	
18	<b>00 0350 390 1</b>	OIL DRAIN HOSE		1	
19	<b>00 0236 327 0</b>	HEXAGONAL NUT	M22X1,5	1	
20	<b>00 0077 528 2</b>	DRAIN FITTING	D18,1X51,5	1	
21	<b>00 0633 589 1</b>	UNION NUT	A3 L15	1	
22	<b>00 0077 529 0</b>	STRAP	1,0X0026X0041	1	
23	<b>00 0215 080 0</b>	SNAP RING	A 14	1	
24	<b>00 0771 504 0</b>	SUPPORT	3,0X126X230	1	
25	<b>00 0002 846 0</b>	RING	SPIRALFÖRMIG OFFEN2 16 X		
26	<b>00 0002 848 0</b>	KNOT CHAIN	1,8X 25X 6GL	1	
27	<b>00 0796 273 0</b>	BUSHING	D32/D18X50	2	2)

**1) Remarks**

P 02/610 = Cat C10  
P 02/611 = Cat C10  
P 02/640 = Cat C13  
P 02/641 = Cat C13

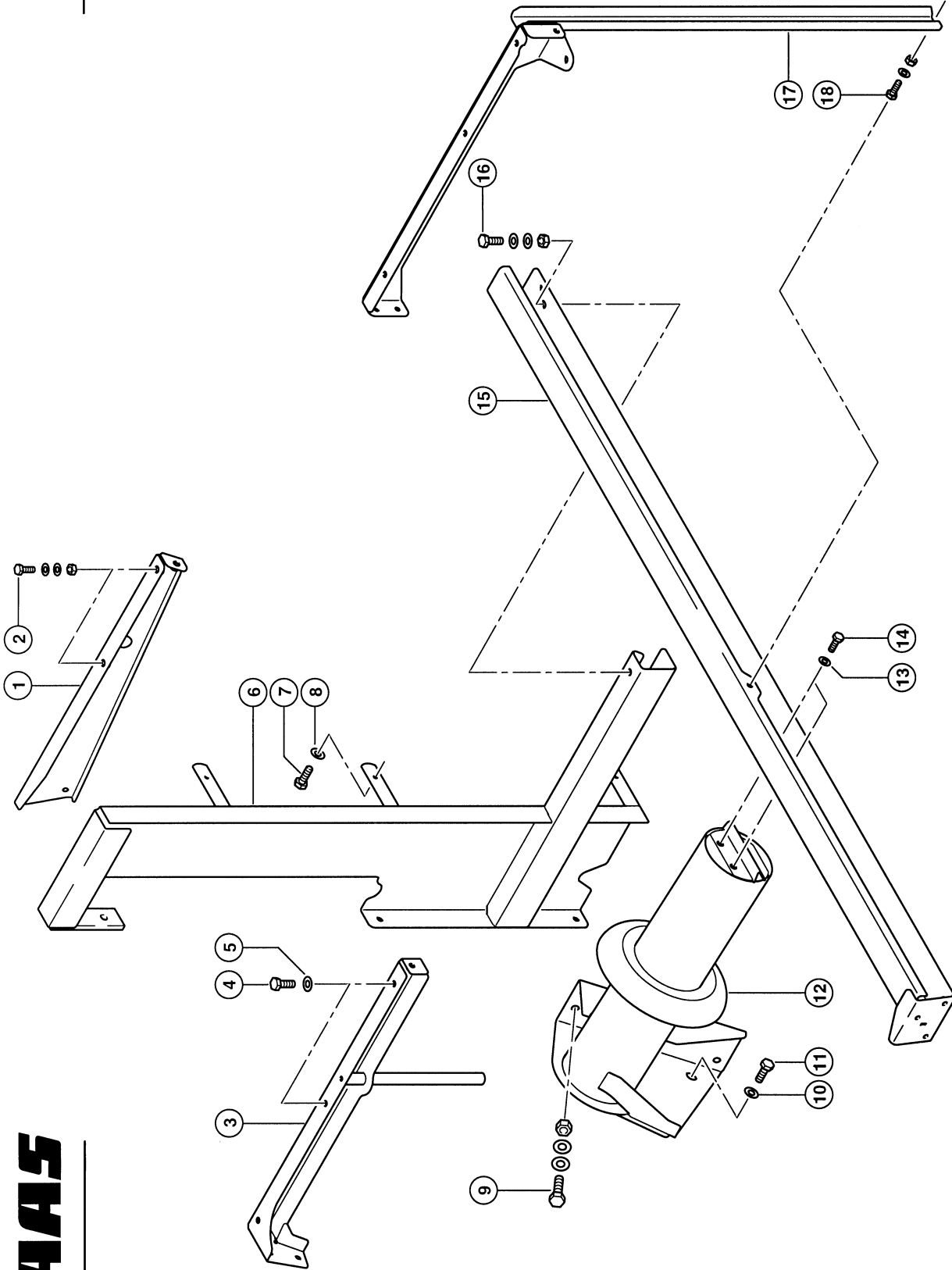
**2) Remarks**

at Cat C13

782

**CLAAS**

16558z00  
LEXION 560-550 MONTANA



132304

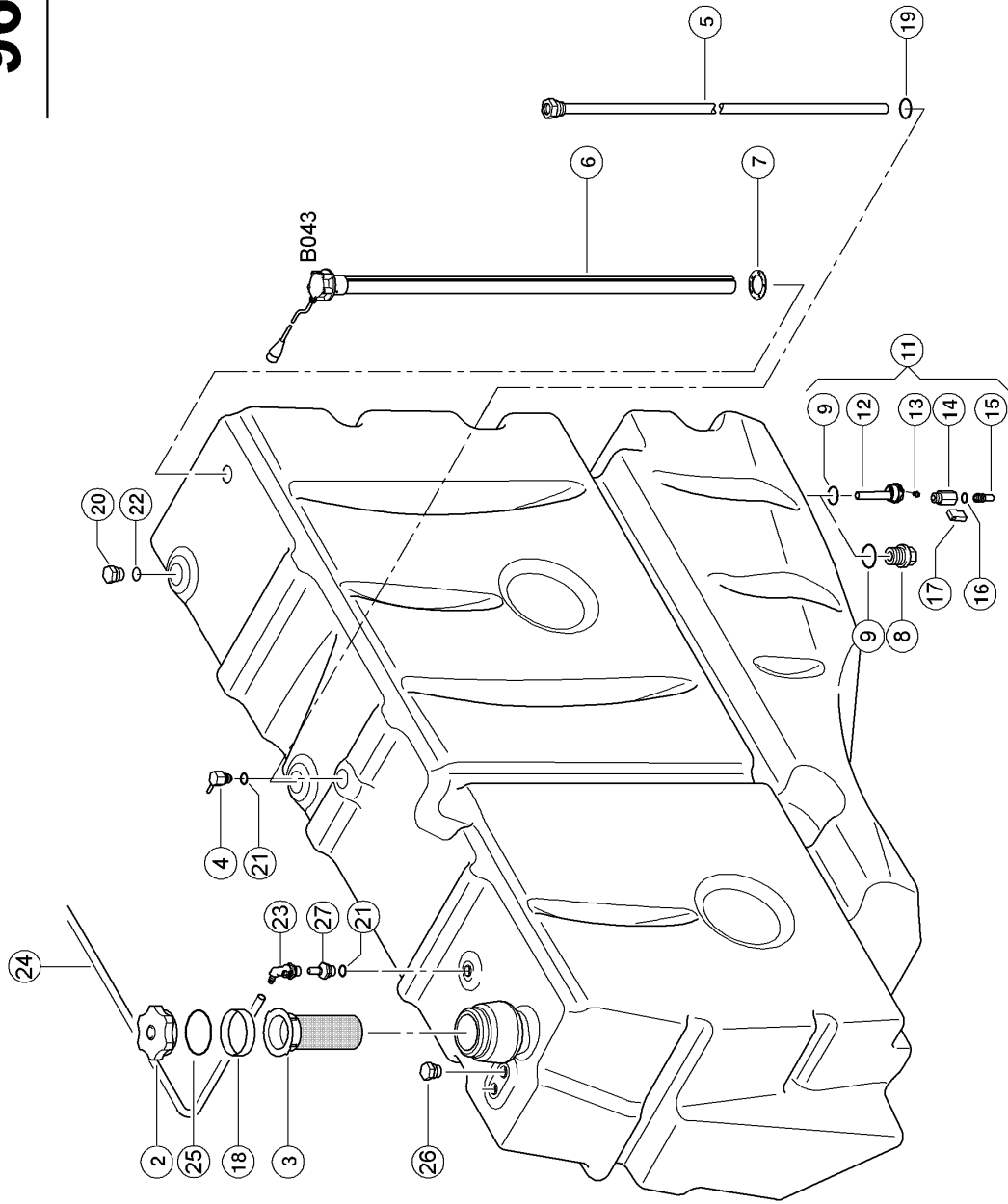
**BRACKET FOR FUEL TANK**

<b>Pos.</b>	<b>Part No.</b>	<b>Description</b>	<b>Dimension</b>	<b>Quantity</b>	<b>Conditions</b>
1	<b>00 0794 842 1</b>	FASTENER	1700	1	
2	<b>00 0237 370 0</b>	HEXAGON HEAD BOLT	M8X30	2	
2	<b>00 0239 387 0</b>	CONTACT WASHER	A8-8,2X18X1,4	4	
2	<b>00 0236 170 0</b>	HEXAGONAL NUT	M8	2	
3	<b>00 0794 856 2</b>	SUPPORT	1700 / 800 LTR	1	
4	<b>00 0237 453 0</b>	HEXAGON HEAD BOLT	M10X30	2	
5	<b>00 0239 388 0</b>	CONTACT WASHER	A10-10,2X22,25X1,6	2	
6	<b>00 0794 858 2</b>	SUPPORT		1	
7	<b>00 0237 453 0</b>	HEXAGON HEAD BOLT	M10X30	3	
8	<b>00 0239 388 0</b>	CONTACT WASHER	A10-10,2X22,25X1,6	3	
9	<b>00 0237 461 0</b>	HEXAGON HEAD BOLT	M12X30	4	
9	<b>00 0239 387 0</b>	CONTACT WASHER	A8-8,2X18X1,4	8	
9	<b>00 0236 172 0</b>	HEXAGONAL NUT	M12	4	
10	<b>00 0239 388 0</b>	CONTACT WASHER	A10-10,2X22,25X1,6	1	
11	<b>00 0237 453 0</b>	HEXAGON HEAD BOLT	M10X30	1	
12	<b>00 0794 854 1</b>	MAIN FRAME	1700	1	
13	<b>00 0239 387 0</b>	CONTACT WASHER	A8-8,2X18X1,4	2	
14	<b>00 0237 439 0</b>	HEXAGON HEAD BOLT	M8X16	2	
15	<b>00 0794 855 1</b>	SUPPORT		1	
16	<b>00 0237 453 0</b>	HEXAGON HEAD BOLT	M10X30	1	
16	<b>00 0239 388 0</b>	CONTACT WASHER	A10-10,2X22,25X1,6	2	
16	<b>00 0236 171 0</b>	HEXAGONAL NUT	M10	1	
17	<b>00 0794 857 1</b>	SUPPORT	1700	1	
18	<b>00 0237 439 0</b>	HEXAGON HEAD BOLT	M8X16	3	
18	<b>00 0239 387 0</b>	CONTACT WASHER	A8-8,2X18X1,4	4	
18	<b>00 0236 170 0</b>	HEXAGONAL NUT	M8	1	



963

CLAAS



16762z05  
LEXION 560-550 MONTANA

132286/04

**FUEL TANK**

Pos.	Part No.	Description	Dimension	Quantity	Conditions
1	<b>00 0794 918 5</b>	FUEL TANK	800 NUR ET	1	1)
1	<b>00 0794 416 2</b>	FUEL TANK	800LTR. OHNE Z-TANK	1	2)
1	<b>00 0794 918 3</b>	FUEL TANK	800 LTR	1	3)
2	<b>00 0624 003 1</b>	CAP	ERS.D.794918.4 DV 80 GL	1	4)
2	<b>00 0217 508 0</b>	CAP	DV 80 GL OHNE LÜFTUNG	1	
2	<b>00 0177 621 0</b>	CAP	D80 BELUEFTET, ABSCHLIES	1	5)
3	<b>00 0736 238 0</b>	TANK FILTER		1	
4	<b>00 0794 995 0</b>	BREATHER VALVE		1	6)
5	<b>00 0794 998 1</b>	SUCTION TUBE	800 LTR	1	
6	<b>00 0016 596 3</b>	LEVEL INDICATOR	L=1320MM	1	1)
6	<b>00 0794 996 0</b>	LEVEL INDICATOR	L=1340MM D=54MM	1	6)
6	<b>00 0783 653 0</b>	PT SCREW	6ST 4X40	1	
7	<b>00 0794 993 0</b>	GASKET	VORRATSGEBER	1	
8	<b>00 0687 607 0</b>	DRAIN SCREW	M33X2	1	7)
9	<b>00 0217 459 1</b>	O-RING	27X4,0 -N	1	8)
9	<b>00 0215 958 1</b>	FLAT SEAL RING	30X40X3	1	7)
11	<b>00 0794 414 1</b>	CONNECTION	MIT W.ABLAS ; KUGELH. ;	1	8)
12	<b>00 0783 643 1</b>	PLUG	WASSER + G3/8"	1	8)
13	<b>00 0687 625 1</b>	HEXAGON HEAD BOLT	M8X17 F. TANK	1	8)
14	<b>00 0783 652 0</b>	BALL-TYPE TAP	WASSERABLA DN8-I-G3/8XA-G3/8	1	8)
15	<b>00 0783 644 1</b>	ADAPTOR	G3/8"- 1/2" SAE J 20441	1	8)
16	<b>00 0216 366 0</b>	O-RING	10,50X1,5 NBR80	1	8)
17	<b>00 0783 658 0</b>	ANTI-ROTAT. LOCK	FUER 3/8" KUGELHAHN	1	8)
18	<b>00 0038 915 0</b>	SOCKET	SV 80 B/40	1	
19	<b>00 0217 460 0</b>	O-RING	18,64X3,53 -N	1	
20	<b>00 0783 648 2</b>	BLIND PLUG		1	9)
20	<b>00 0794 998 1</b>	SUCTION TUBE	800 LTR	1	7)
21	<b>00 0217 460 0</b>	O-RING	18,64X3,53 -N	1	1)
21	<b>00 0211 091 2</b>	O-RING	12 X 2 NBR 80	1	6)
22	<b>00 0217 460 0</b>	O-RING	18,64X3,53 -N	1	
23	<b>00 0217 501 0</b>	CONNECTOR	NQS 1/2" - 6 X 90 GRAD	1	1)
24	<b>00 0136 529 0</b>	PVC-HOSE	4+0,1X6X10000	1	10)
25	<b>00 0211 701 0</b>	O-RING	91,67X3,53-N	1	
26	<b>00 0783 648 2</b>	BLIND PLUG		2	1)
27	<b>00 0794 417 2</b>	VENTILATION		1	1)

<b>1)</b>	<b>machine no.</b>	+ from 58000136
<b>2)</b>	<b>machine no.</b>	+ from 58000080 up to 58000135
<b>3)</b>	<b>machine no.</b>	+ from 58000011 up to 58000079
<b>4)</b>	<b>Remarks</b>	Ventilation
<b>5)</b>	<b>Remarks</b>	LOCKING
<b>6)</b>	<b>machine no.</b>	+ from 58000011 up to 58000135
<b>7)</b>	<b>Remarks</b>	up to no. 58000079
<b>8)</b>	<b>Remarks</b>	from no. 58000080
<b>9)</b>	<b>Remarks</b>	from no. 58000100

## FUEL TANK

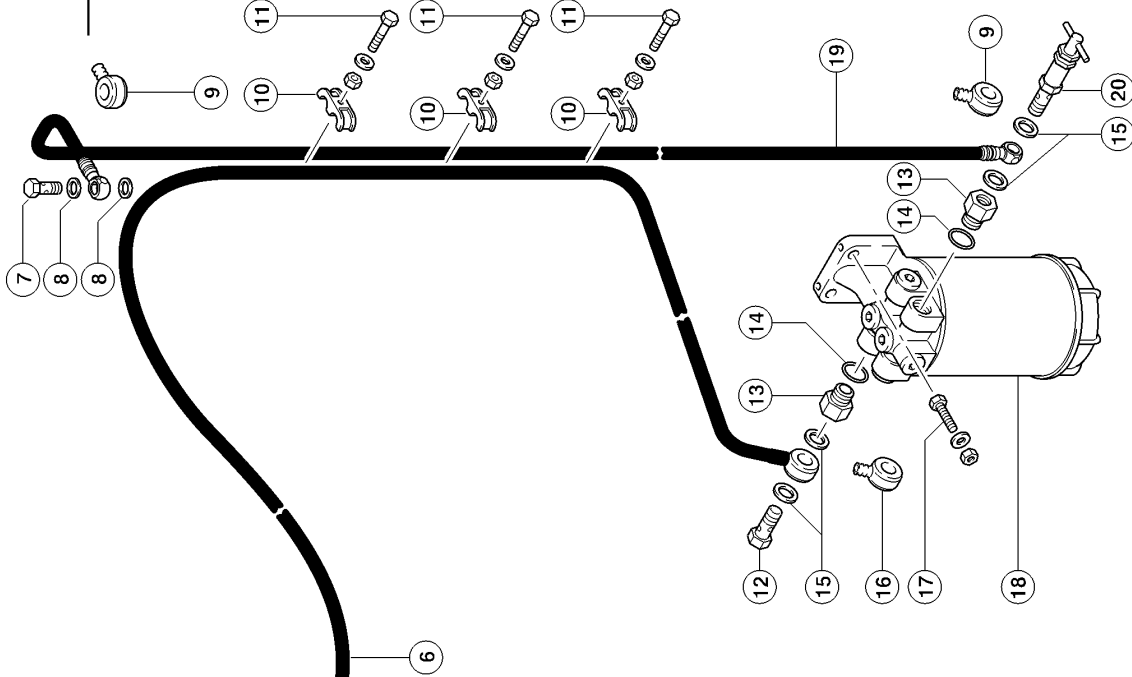
---

**10) Remarks**

2800 mm long

---

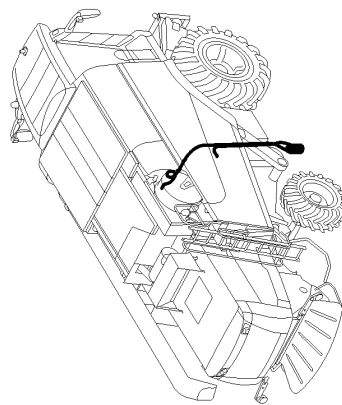
# 964



16763z02  
LEXION 560-550 MONTANA

132657/02

# CLAAS

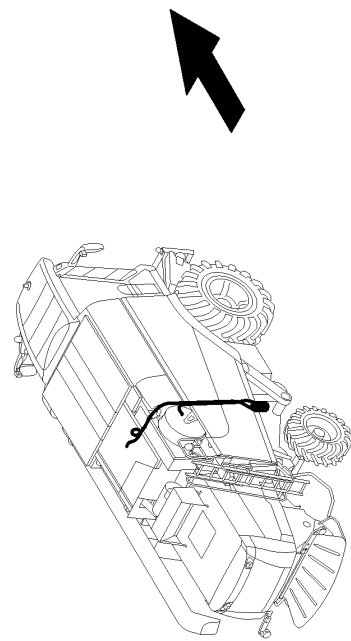
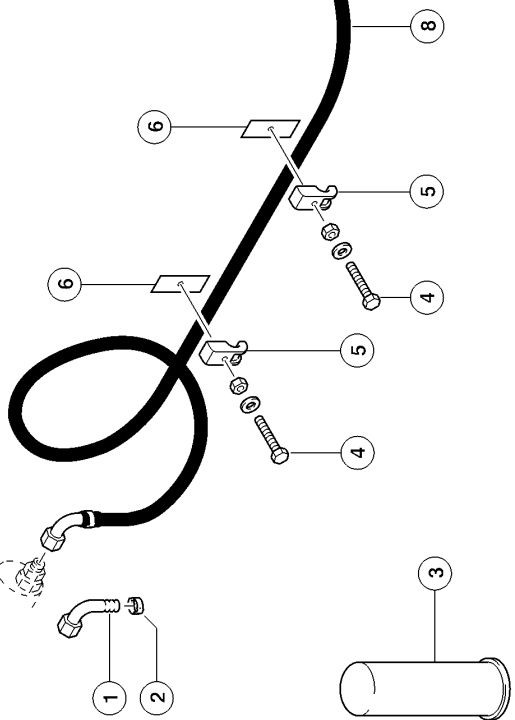
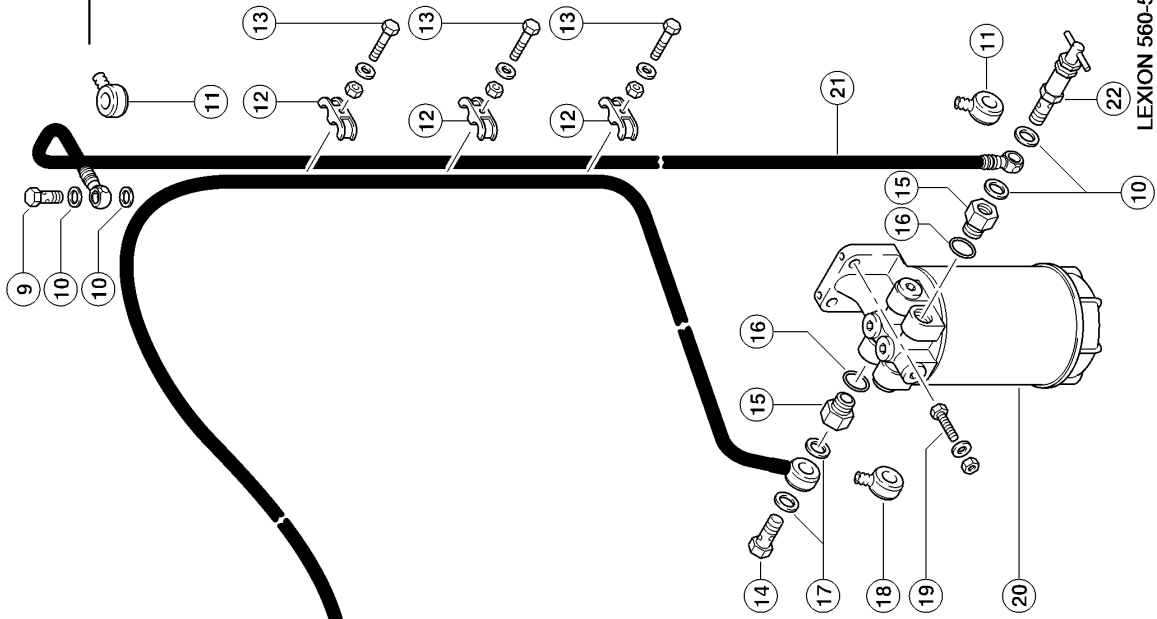


**ENGINE CAT C9; FUEL SYSTEM, FUEL COOLER 1)**

Pos.	Part No.	Description	Dimension	Quantity	Conditions
1	<b>00 0796 220 1</b>	CONNECTION	SWE90-L15-12	1	
2	<b>00 0242 442 0</b>	HEXAGON HEAD BOLT	(N90-M22X1, M 6X30	3	
2	<b>00 0239 386 0</b>	CONTACT WASHER	A 6	3	
2	<b>00 0236 169 0</b>	HEXAGONAL NUT	M6	3	
3	<b>00 0715 242 0</b>	CLAMP	A 15	3	
4	<b>00 0363 204 1</b>	FUEL FILTER		1	2)
6	<b>00 0796 197 0</b>	FUEL PIPE	LG 3500 MM	1	3)
7	<b>00 0096 030 0</b>	HOLLOW SCREW	12 - M16X1,5 (12-3 ZULÄS	1	
8	<b>00 0216 465 0</b>	SEALING RING	D 16X22	2	
9	<b>00 0216 458 0</b>	CONNECTION	R16-12	2	4)
10	<b>00 0715 241 0</b>	DOUBLE CLAMP	B 15	3	
11	<b>00 0235 505 0</b>	HEXAGON HEAD BOLT	M06X30	3	
11	<b>00 0239 386 0</b>	CONTACT WASHER	A 6	3	
11	<b>00 0236 169 0</b>	HEXAGONAL NUT	M6	3	
12	<b>00 0096 030 0</b>	HOLLOW SCREW	12 - M16X1,5 (12-3 ZULÄS	1	
13	<b>00 0545 906 0</b>	SCREW UNION	M22X1.5/M16X1.5	2	5)
14	<b>00 0238 451 0</b>	O-RING	19,3 X2,4 -N	2	5)
15	<b>00 0216 465 0</b>	SEALING RING	D 16X22	4	
16	<b>00 0216 458 0</b>	CONNECTION	R16-12	1	
17	<b>00 0237 442 0</b>	HEXAGON HEAD BOLT	M8X25	2	
17	<b>00 0239 393 1</b>	CONTACT WASHER	B 8 -8.2X22X1,9	2	
17	<b>00 0236 170 0</b>	HEXAGONAL NUT	M8	2	
18	<b>00 0796 211 0</b>	FUEL FILTER		1	6)
18	<b>00 0796 212 1</b>	SEPARATOR		1	7)
19	<b>00 0743 693 0</b>	FUEL PIPE		1	8)
19	<b>00 0743 760 0</b>	FUEL HOSE	TANK-FILTER LG 1680	1	9)
20	<b>00 0761 583 1</b>	LIMITATION VALVE	M16X1,5	1	
21	<b>00 0360 431 1</b>	FUEL PUMP		1	

<b>1)</b>	<b>machine no.</b>	+ up to 58000099
<b>2)</b>	<b>Remarks</b>	FILTER GP-FUEL
<b>3)</b>	<b>Remarks</b>	3500 mm long
<b>4)</b>	<b>Remarks</b>	to No. 58000018
<b>5)</b>	<b>Remarks</b>	P06 / 10
<b>6)</b>	<b>Remarks</b>	P06 / 20 see illustration plate 966
<b>7)</b>	<b>Remarks</b>	P06 / 10 see illustration plate 966
<b>8)</b>	<b>Remarks</b>	from No. 58000019
<b>9)</b>	<b>Remarks</b>	1680 mm long to No. 58000018

965



**CLAAS**

16766z01  
LEXION 560-550 MONTANA

132654/01

**ENGINE C10, C13; FUEL SYST., FUEL COOLER 1)**

Pos.	Part No.	Description	Dimension	Quantity	Conditions
1	<b>00 0796 220 1</b>	CONNECTION	SWE90-L15-12 (N90-M22X1,	1	
2	<b>00 0238 269 0</b>	2-EAR-CLAMP	15-18	1	
3	<b>00 0363 204 1</b>	FUEL FILTER		1	2)
4	<b>00 0242 442 0</b>	HEXAGON HEAD BOLT	M 6X30	2	
4	<b>00 0239 386 0</b>	CONTACT WASHER	A 6	2	
4	<b>00 0236 169 0</b>	HEXAGONAL NUT	M6	2	
5	<b>00 0715 242 0</b>	CLAMP	A 15	2	
6	<b>00 0656 255 0</b>	COUNTER PLATE	25X3X46	2	
8	<b>00 0796 198 1</b>	FUEL PIPE	LG 2700 MM	1	3)
8	<b>00 0798 284 1</b>	FUEL PIPE		1	4)
8	<b>00 0249 836 0</b>	ANGULAR MALE CONNECTOR	SWOE-L15	1	5)
9	<b>00 0096 030 0</b>	HOLLOW SCREW	12 - M16X1,5 (12-3 ZULÄS	1	
10	<b>00 0216 465 0</b>	SEALING RING	D 16X22	4	
11	<b>00 0216 458 0</b>	CONNECTION	R16-12	2	6)
12	<b>00 0715 241 0</b>	DOUBLE CLAMP	B 15	3	
13	<b>00 0235 505 0</b>	HEXAGON HEAD BOLT	M06X30	3	
13	<b>00 0239 386 0</b>	CONTACT WASHER	A 6	3	
13	<b>00 0236 169 0</b>	HEXAGONAL NUT	M6	3	
14	<b>00 0096 030 0</b>	HOLLOW SCREW	12 - M16X1,5 (12-3 ZULÄS	1	
15	<b>00 0545 906 0</b>	SCREW UNION	M22X1.5/M16X1.5	2	7)
16	<b>00 0238 451 0</b>	O-RING	19,3 X2,4 -N	2	7)
17	<b>00 0216 465 0</b>	SEALING RING	D 16X22	2	
18	<b>00 0216 458 0</b>	CONNECTION	R16-12	1	
19	<b>00 0237 442 0</b>	HEXAGON HEAD BOLT	M8X25	2	
19	<b>00 0239 393 1</b>	CONTACT WASHER	B 8 -8.2X22X1,9	2	
19	<b>00 0236 170 0</b>	HEXAGONAL NUT	M8	2	
20	<b>00 0796 211 0</b>	FUEL FILTER		1	8)
20	<b>00 0796 212 1</b>	SEPARATOR		1	9)
21	<b>00 0743 682 0</b>	FUEL PIPE	KPL	1	10)
21	<b>00 0743 754 0</b>	FUEL PIPE	TANK-FILTER LG 1960 MM	1	11)
22	<b>00 0761 583 1</b>	LIMITATION VALVE	M16X1,5	1	

**1) machine no.** + up to 58000099

**2) Remarks** FILTER GP-FUEL

**3) Remarks** 2700 mm long  
at motor C10

**4) Remarks** 2390mm long  
at motor C13

**5) Remarks** at motor C13

**6) Remarks** to No. 58000018

**7) Remarks** P06 / 10

**8) Remarks** P06 / 20  
see illustration plate 966

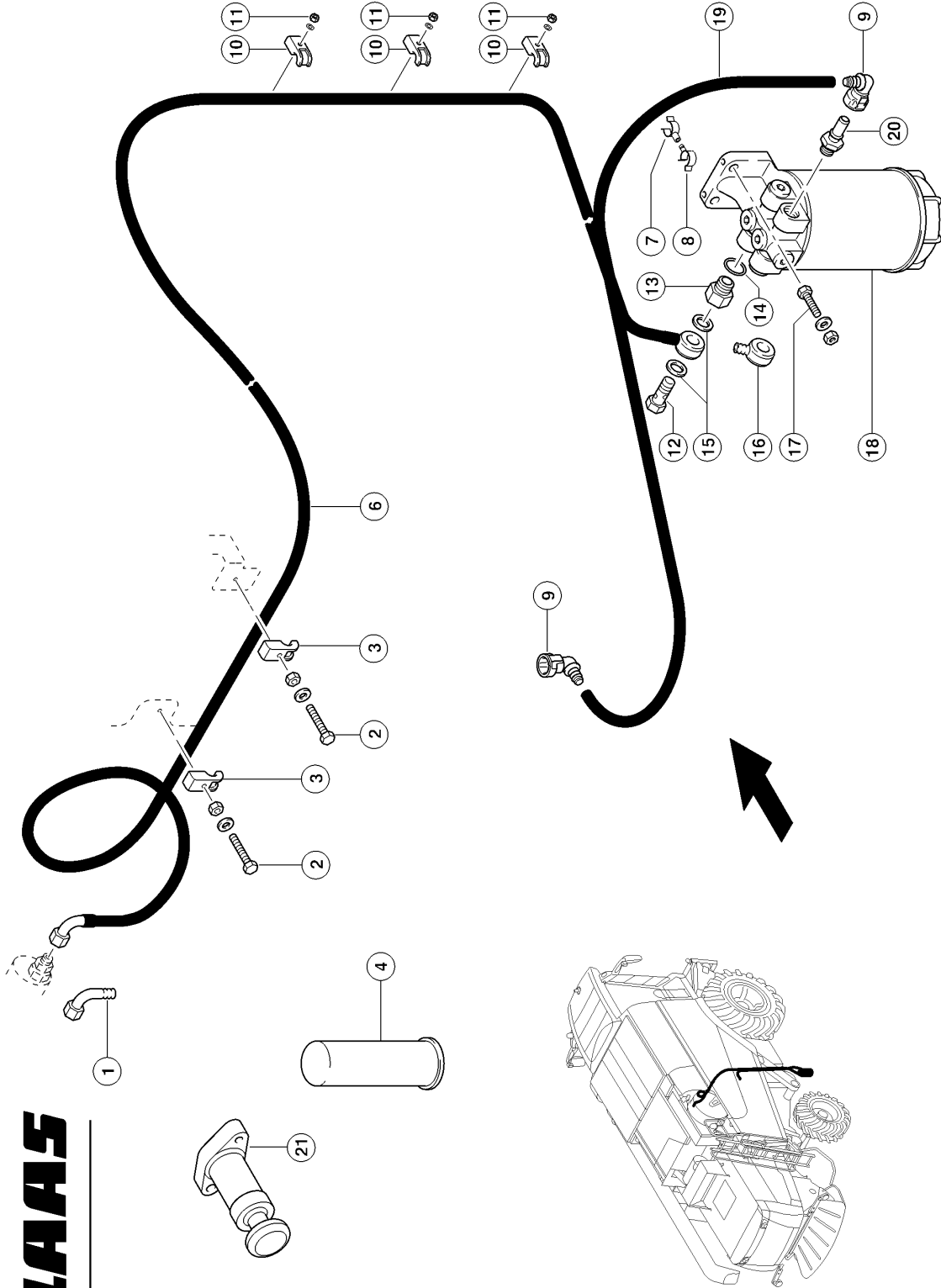
**9) Remarks** P06 / 10  
see illustration plate 966

**10) Remarks** from No. 58000019

**11) Remarks** 1960 mm long  
to No. 58000018

**965A**

**CLAAS**



17569z01  
LEXION 560-550 MONTANA

148985/01



**ENGINE; FUEL SYSTEM, FUEL COOL 1)**

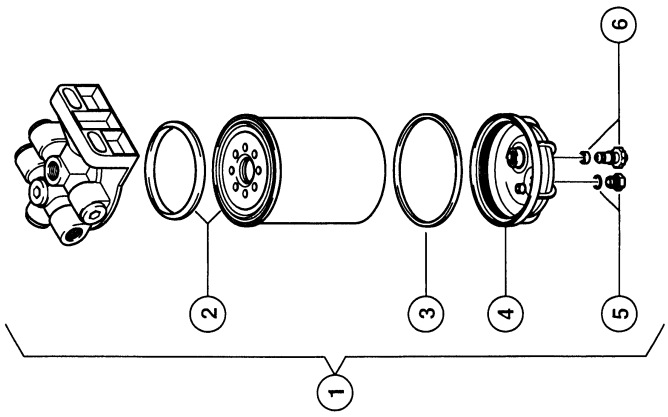
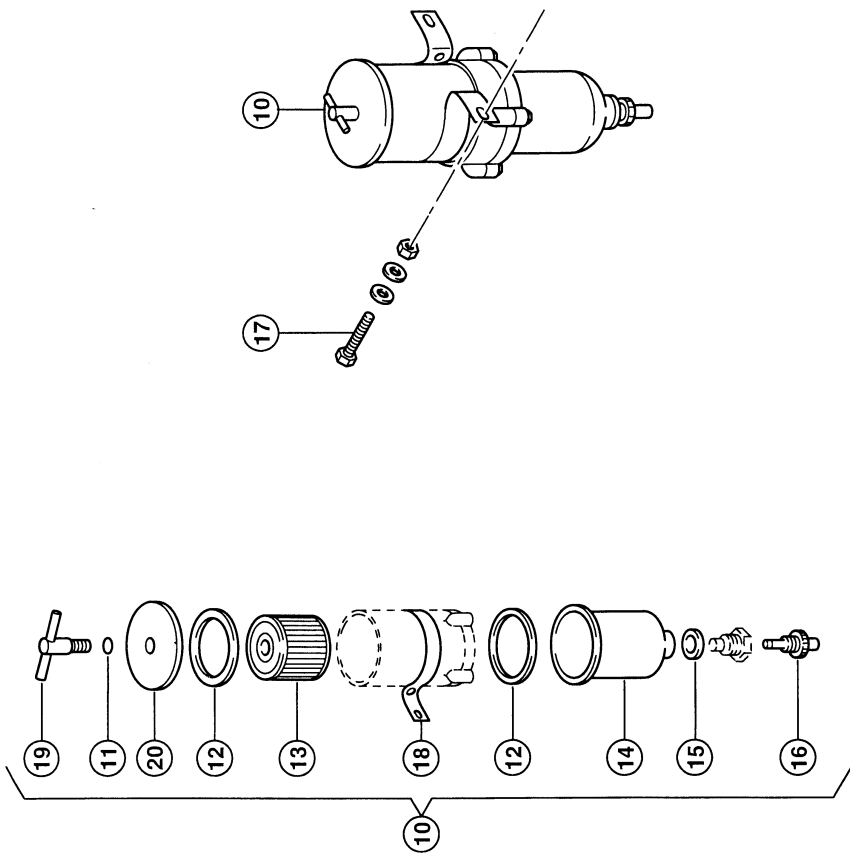
Pos.	Part No.	Description	Dimension	Quantity	Conditions
1	<b>00 0796 220 1</b>	CONNECTION	SWE90-L15-12	1	
2	<b>00 0242 442 0</b>	HEXAGON HEAD BOLT	(N90-M22X1, M 6X30	2	
2	<b>00 0239 386 0</b>	CONTACT WASHER	A 6	2	
2	<b>00 0236 169 0</b>	HEXAGONAL NUT	M6	2	
3	<b>00 0715 242 0</b>	CLAMP	A 15	2	
4	<b>00 0363 204 1</b>	FUEL FILTER		1	2)
6	<b>00 0796 197 0</b>	FUEL PIPE	LG 3500 MM	1	3)
6	<b>00 0798 284 1</b>	FUEL PIPE		1	4)
6	<b>00 0249 836 0</b>	ANGULAR MALE CONNECTOR	SWOE-L15	1	5)
7	<b>00 0796 375 0</b>	PIPE BRACKET	D 11	1	
8	<b>00 0796 374 0</b>	PIPE BRACKET	D 11	1	
9	<b>00 0798 863 0</b>	CONNECTOR	NORMAQUICK S NW 1/2"-10-	2	
10	<b>00 0715 242 0</b>	CLAMP	A 15	3	
11	<b>00 0239 386 0</b>	CONTACT WASHER	A 6	3	
11	<b>00 0236 169 0</b>	HEXAGONAL NUT	M6	3	
12	<b>00 0096 030 0</b>	HOLLOW SCREW	12 - M16X1,5 (12-3 ZULÄS	1	
13	<b>00 0545 906 0</b>	SCREW UNION	M22X1.5/M16X1.5	1	6)
14	<b>00 0238 451 0</b>	O-RING	19,3 X2,4 -N	1	6)
15	<b>00 0216 465 0</b>	SEALING RING	D 16X22	2	
16	<b>00 0216 458 0</b>	CONNECTION	R16-12	1	
17	<b>00 0237 442 0</b>	HEXAGON HEAD BOLT	M8X25	2	
17	<b>00 0239 393 1</b>	CONTACT WASHER	B 8 -8.2X22X1,9	2	
17	<b>00 0236 170 0</b>	HEXAGONAL NUT	M8	2	
18	<b>00 0796 211 0</b>	FUEL FILTER		1	7)
18	<b>00 0796 212 1</b>	SEPARATOR		1	8)
19	<b>00 0799 121 1</b>	FUEL PIPE	TANK-FILTER	1	9)
20	<b>00 0798 664 0</b>	ADAPTER	M16X1,5 / 1/2" SAE J 204	1	10)
20	<b>00 0798 652 1</b>	ADAPTER	DN 12 - F-M22X1,5	1	6)
20	<b>00 0215 922 0</b>	O-RING	19,3X2,2-N	1	6)
21	<b>00 0360 431 1</b>	FUEL PUMP		1	11)

<b>1)</b>	<b>machine no.</b>	+ from 58000100
<b>2)</b>	<b>Remarks</b>	FILTER GP-FUEL
<b>3)</b>	<b>Remarks</b>	3500 mm long at motor C9
<b>4)</b>	<b>Remarks</b>	2390mm long at motor C13
<b>5)</b>	<b>Remarks</b>	at motor C13
<b>6)</b>	<b>Remarks</b>	P06 / 10
<b>7)</b>	<b>Remarks</b>	P06 / 20 see illustration plate 966
<b>8)</b>	<b>Remarks</b>	P06 / 10 see illustration plate 966
<b>9)</b>	<b>Remarks</b>	with Item 9
<b>10)</b>	<b>Remarks</b>	P06 / 20
<b>11)</b>	<b>Remarks</b>	at motor C9

966

CLAAS

LEXION 560-550 MONTANA



16767z01  
LEXION 560-550 MONTANA

132641/01

**FUEL FILTER ASSEMBLIES 1)**

Pos.	Part No.	Description	Dimension	Quantity	Conditions
1	<b>00 0796 211 0</b>	FUEL FILTER		1	2)
2	<b>00 0796 213 0</b>	FILTER ELEMENT		1	3)
3	<b>00 0796 789 0</b>	SEALING RING		1	
4	<b>00 0796 788 0</b>	WATER CONTAINER		1	4)
5	<b>00 0796 791 0</b>	SCREW PLUG		1	3)
6	<b>00 0796 790 0</b>	PLUG		1	3)
10	<b>00 0796 212 1</b>	SEPARATOR		1	5)
11	<b>00 0211 091 2</b>	O-RING	12 X 2 NBR 80	1	
12	<b>00 0072 995 0</b>	HOUSING GASKET		2	
13	<b>00 0796 214 0</b>	FILTER ELEMENT		1	
14	<b>00 0072 996 1</b>	WATER CONTAINER		1	
15	<b>00 0723 694 1</b>	GASKET	RACOR 500/900 FG	1	
16	<b>00 0796 022 0</b>	DRAIN VALVE		1	6)
16	<b>00 0723 693 0</b>	DRAIN SCREW		1	7)
17	<b>00 0237 442 0</b>	HEXAGON HEAD BOLT	M8X25	2	
17	<b>00 0236 170 0</b>	HEXAGONAL NUT	M8	2	
17	<b>00 0239 393 1</b>	CONTACT WASHER	B 8 -8.2X22X1,9	4	
18	<b>00 0067 328 1</b>	SUPPORT		1	
19	<b>00 0796 024 0</b>	WING SCREW		1	
20	<b>00 0796 023 0</b>	COVER		1	

**1) Remarks**

P 06 / 10 Zusatz-Filter  
P 06 / 20 Vorfilter Standard

**2) Remarks**

p06 / 20 (Item1-6)  
see illustration plate 964

**3) Remarks**

with sealing ring

**4) Remarks**

with Item 3, 5, 6

**5) Remarks**

Po 6 / 10  
Item 10-16, 18-20  
see illustration plate 964

**6) Remarks**

from No. 58000019

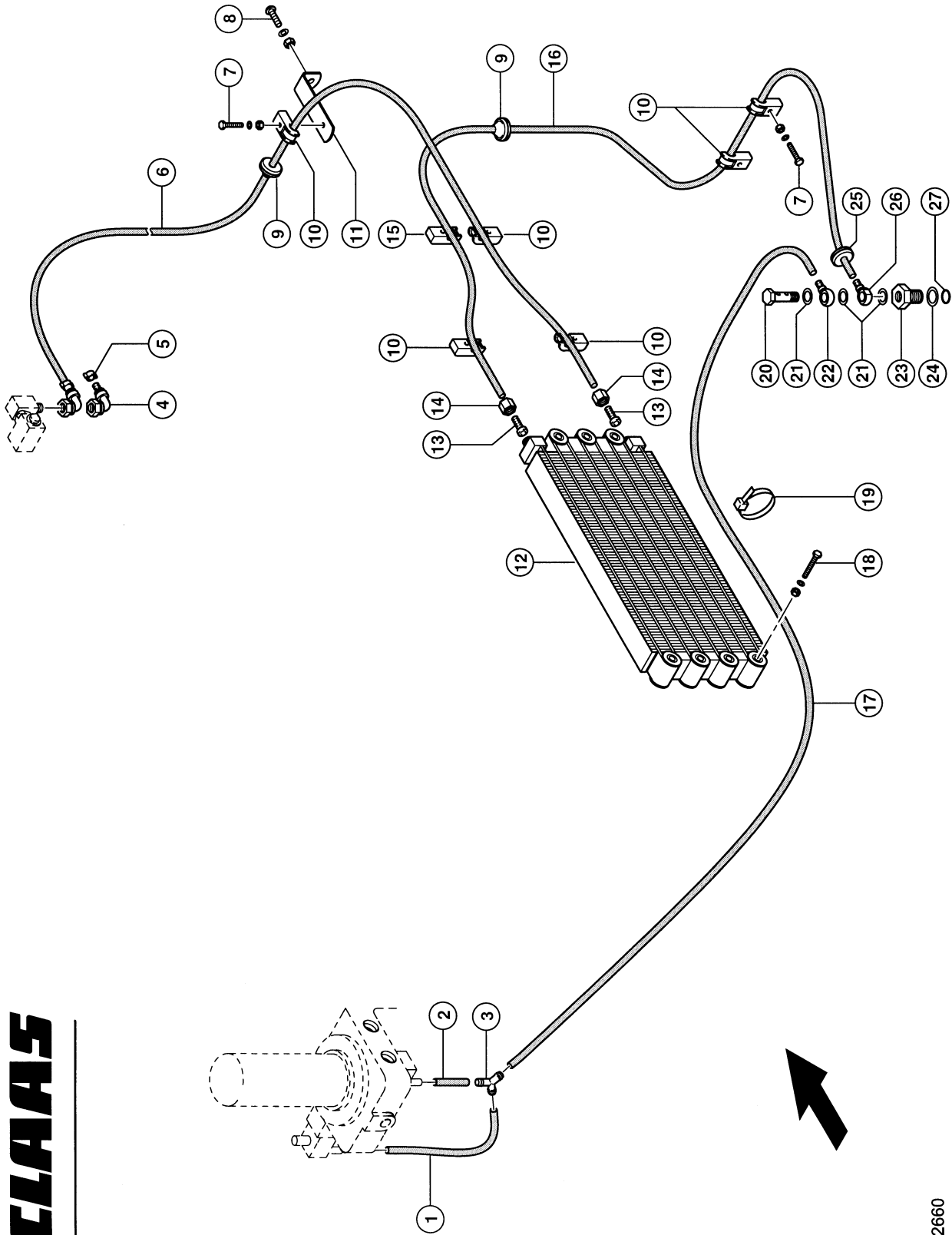
**7) Remarks**

to No. 58000018

967

CLAAS

16769z00  
LEXION 560-550 MONTANA



132660

**ENGINE CAT C9; FUEL SYSTEM, FUEL COOLER 1)**

Pos.	Part No.	Description	Dimension	Quantity	Conditions
1	<b>00 0233 693 1</b>	HOSE	A 8X12	1	2)
2	<b>00 0233 693 1</b>	HOSE	A 8X12	1	3)
3	<b>00 0796 352 0</b>	SOCKET	YS 8	1	
4	<b>00 0353 723 1</b>	CONNECTION	90°-11/16-16UN-2B	1	
5	<b>00 0408 544 0</b>	2-EAR CLAMP	11-13 ERS.D. 408544.1	1	
6	<b>00 0796 195 1</b>	FUEL PIPE	LG 1650 MM	1	4)
7	<b>00 0242 442 0</b>	HEXAGON HEAD BOLT	M 6X30	2	
7	<b>00 0239 386 0</b>	CONTACT WASHER	A 6	2	
7	<b>00 0236 169 0</b>	HEXAGONAL NUT	M6	2	
8	<b>00 0610 099 1</b>	COACH BOLT	M 8X 25	1	
8	<b>00 0239 387 0</b>	CONTACT WASHER	A8-8,2X18X1,4	1	
8	<b>00 0236 170 0</b>	HEXAGONAL NUT	M8	1	
9	<b>00 0735 998 0</b>	GROMMET	C 6-12X24X1,5	1	
10	<b>00 0216 117 0</b>	CLAMP	A 10	5	
11	<b>00 0077 376 0</b>	SUPPORT	3X30X153	1	
12	<b>00 0350 370 0</b>	FUEL COOLER		1	
13	<b>00 0239 304 0</b>	CONNECTION	D16X1,5-8	1	
14	<b>00 0216 006 0</b>	UNION NUT	BLL10	1	
15	<b>00 0715 242 0</b>	CLAMP	A 15	1	
16	<b>00 0743 756 0</b>	FUEL HOSE	KUEHLER-TANK LG 1720 MM	1	5)
17	<b>00 0233 693 1</b>	HOSE	A 8X12	1	6)
18	<b>00 0235 344 0</b>	COACH BOLT	M 6X45	3	
18	<b>00 0239 386 0</b>	CONTACT WASHER	A 6	3	
18	<b>00 0236 169 0</b>	HEXAGONAL NUT	M6	3	
20	<b>00 0216 398 0</b>	DOUBLE HOLLOW SCREW	12-8 M16X1,5	1	
21	<b>00 0216 465 0</b>	SEALING RING	D 16X22	3	
22	<b>00 0239 331 0</b>	CONNECTION	R14- 8	1	
23	<b>00 0736 256 2</b>	THREADED INSET	6KT32X48	1	
24	<b>00 0233 131 0</b>	WASHER	28X 42X 1	1	
25	<b>00 0238 250 0</b>	GROMMET	A 24X30X3,5	1	
26	<b>00 0216 405 0</b>	CONNECTION	16-8 (RSN 28-0)	1	
27	<b>00 0215 956 1</b>	O-RING	18,4X5,33-N	1	

**1) Remarks** P02/510 = Cat C9-Abgasstufe 2  
P02/511 = Cat C9-Abgasstufe 2

**2) Remarks** 1700 mm long

**3) Remarks** 50 mm long

**4) Remarks** 1650 mm long

**5) Remarks** 1720 mm long

**6) Remarks** 2000 mm long

Thank you so much for reading.  
Please click the “Buy Now!”  
button below to download the  
complete manual.



After you pay.

You can download the most  
perfect and complete manual in  
the world immediately.

Our support email:

[ebooklibonline@outlook.com](mailto:ebooklibonline@outlook.com)