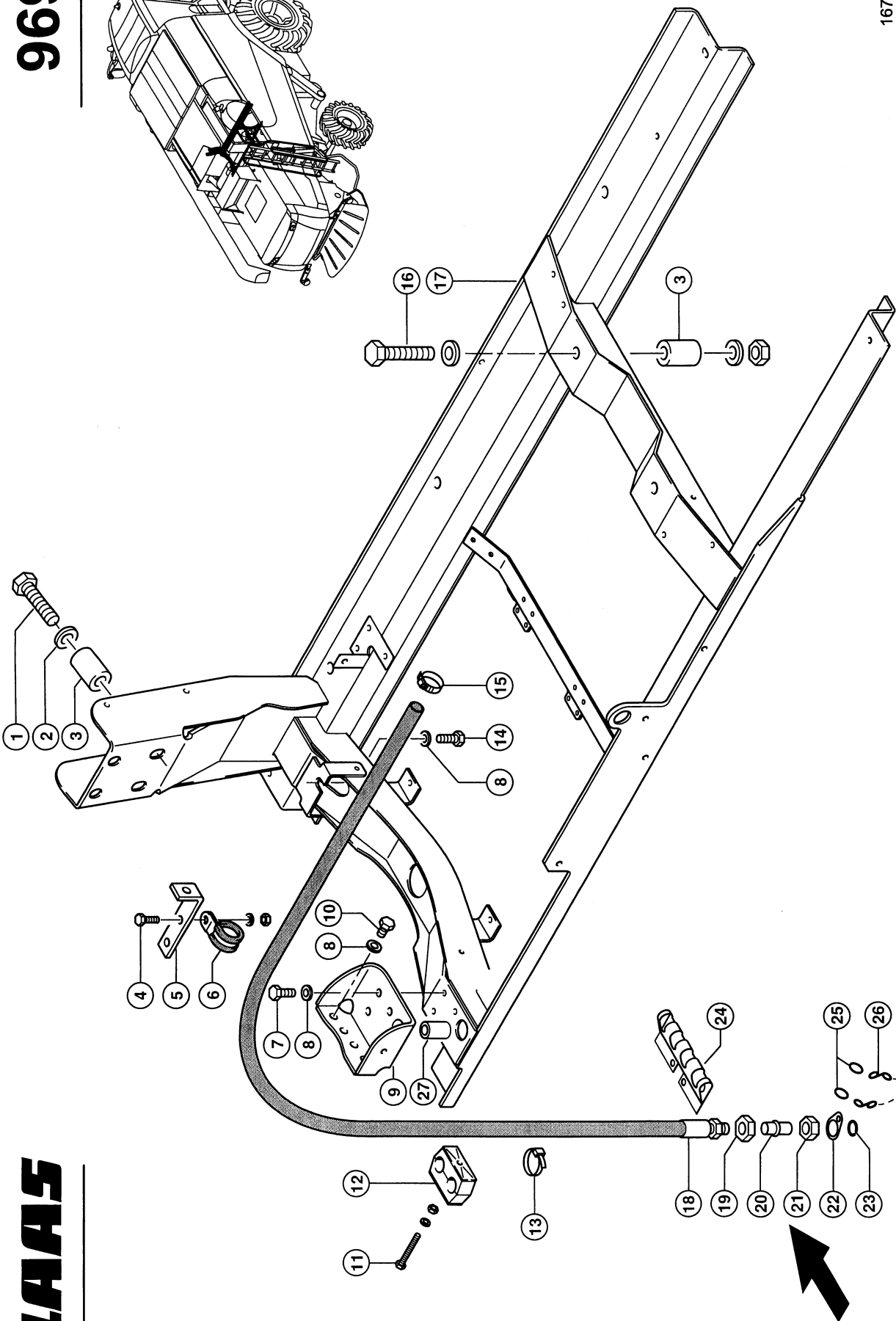
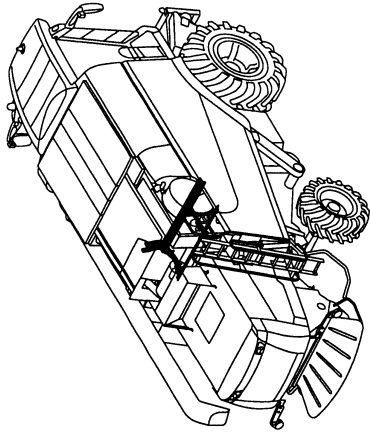


969

CLAAS



16772z01
LEXION 570 MONTANA

142605/01

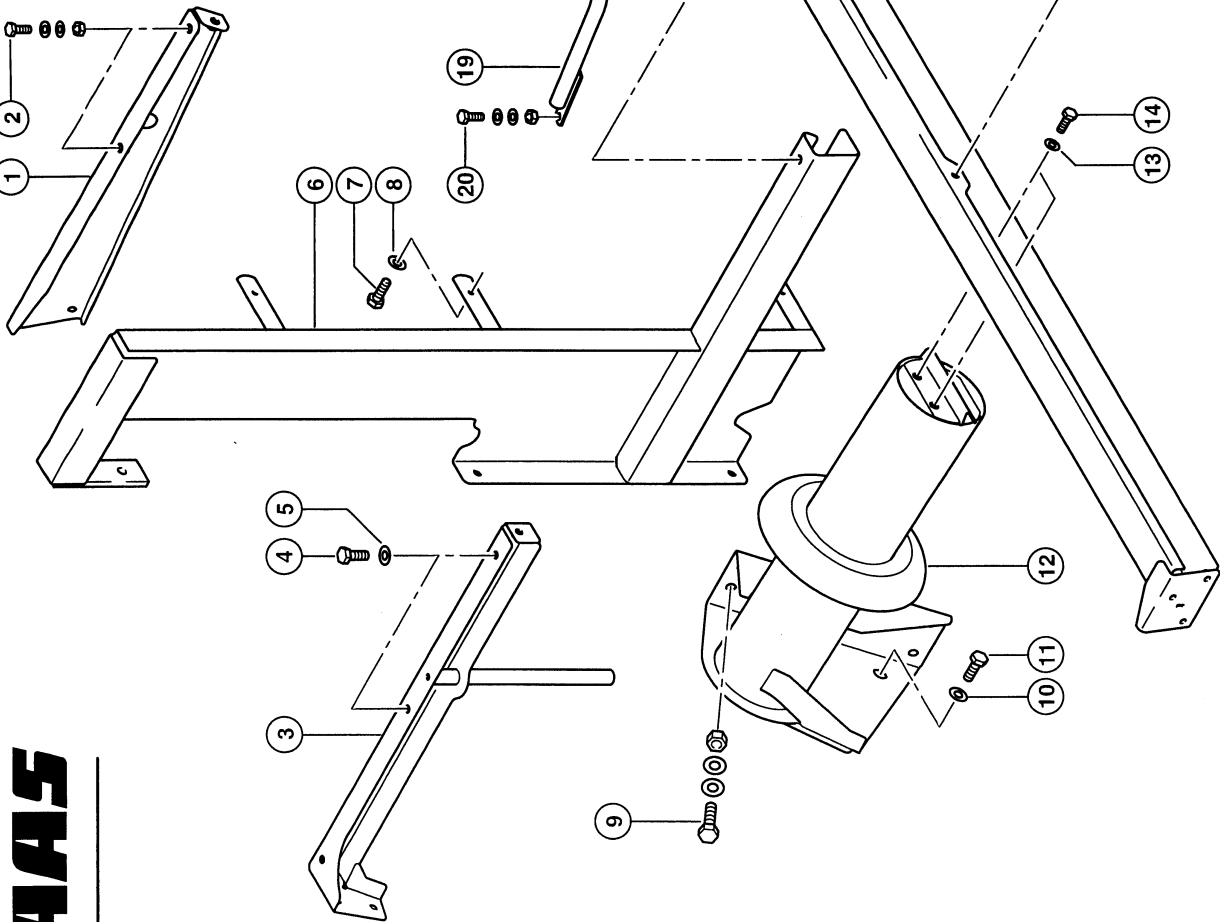
BASE, OIL DRAIN HOSE

Pos.	Part No.	Description	Dimension	Quantity	Conditions
1	00 0215 631 0	HEXAGON HEAD BOLT	3/4-10UNC-2AX4 1/2	4	
2	00 0212 191 0	CONTACT WASHER	A20	4	
3	00 0796 231 0	BUSHING	D42D20.5X62	6	
4	00 0237 442 0	HEXAGON HEAD BOLT	M8X25	1	
4	00 0236 170 0	HEXAGONAL NUT	M8	1	
4	00 0239 387 0	CONTACT WASHER	A8-8,2X18X1,4	1	
5	00 0073 012 1	ANGLE	30X5X160	1	
6	00 0215 394 0	HOLDER CLAMP	D1-24X20	2	
7	00 0237 461 0	HEXAGON HEAD BOLT	M12X30	3	
8	00 0239 389 0	CONTACT WASHER	A12	8	
9	00 0796 666 1	SUPPORT		1	
10	00 0237 458 0	HEXAGON HEAD BOLT	M12X20	4	
11	00 0235 522 0	HEXAGON HEAD BOLT	M8 X 65	2	
11	00 0236 170 0	HEXAGONAL NUT	M8	2	
11	00 0239 387 0	CONTACT WASHER	A8-8,2X18X1,4	2	
12	00 0689 060 0	CLAMP	Z KP-3-R-25-25-PA	1	
13	00 0697 798 0	CABLE TIE	7,6X290X1,9	2	
14	00 0211 465 0	HEX.HEAD BOLT	1/2-13UNC-2AX1 1/2	1	
15	00 0408 554 2	HOSE CLAMP	W.ERS.D.4085543	1	
16	00 0211 573 0	HEXAGON HEAD BOLT	M18-100	2	
16	00 0212 191 0	CONTACT WASHER	A20	4	
16	00 0242 848 0	HEXAGONAL NUT	M18	2	
17	00 0796 630 1	ENGINE MOUNTING		1	
18	00 0350 390 1	OIL DRAIN HOSE		1	
19	00 0236 327 0	HEXAGONAL NUT	M22X1,5	1	
20	00 0077 528 2	DRAIN FITTING	D18,1X51,5	1	
21	00 0633 589 1	UNION NUT	A3 L15	1	
22	00 0077 529 0	STRAP	1,0X0026X0041	1	
23	00 0215 080 0	SNAP RING	A 14	1	
24	00 0771 504 0	SUPPORT	3,0X126X230	1	
25	00 0002 846 0	RING	SPIRALFÖRMIG OFFEN2 16 X		
26	00 0002 848 0	KNOT CHAIN	1,8X 25X 6GL	1	
27	00 0796 273 0	BUSHING	D32/D18X50	2	1)

1) Remarks

at motor C13

782



17235z00
LEXION 570 MONTANA

CLAAS

142559/01

BRACKET FOR FUEL TANK

Pos.	Part No.	Description	Dimension	Quantity	Conditions
1	00 0794 841 3	FASTENER	1420	1	
2	00 0237 370 0	HEXAGON HEAD BOLT	M8X30	2	
2	00 0239 387 0	CONTACT WASHER	A8-8,2X18X1,4	4	
2	00 0236 170 0	HEXAGONAL NUT	M8	2	
3	00 0794 939 1	SUPPORT	688,5X164X109,8	1	
4	00 0237 453 0	HEXAGON HEAD BOLT	M10X30	2	
5	00 0239 388 0	CONTACT WASHER	A10-10,2X22,25X1,6	2	
6	00 0794 938 3	SUPPORT	1420	1	
7	00 0237 453 0	HEXAGON HEAD BOLT	M10X30	3	
8	00 0239 388 0	CONTACT WASHER	A10-10,2X22,25X1,6	3	
9	00 0237 461 0	HEXAGON HEAD BOLT	M12X30	4	
9	00 0239 387 0	CONTACT WASHER	A8-8,2X18X1,4	8	
9	00 0236 172 0	HEXAGONAL NUT	M12	4	
10	00 0239 388 0	CONTACT WASHER	A10-10,2X22,25X1,6	1	
11	00 0237 453 0	HEXAGON HEAD BOLT	M10X30	1	
12	00 0794 935 2	MAIN FRAME	1420	1	
13	00 0239 387 0	CONTACT WASHER	A8-8,2X18X1,4	2	
14	00 0237 439 0	HEXAGON HEAD BOLT	M8X16	2	
15	00 0794 855 1	SUPPORT		1	
16	00 0237 453 0	HEXAGON HEAD BOLT	M10X30	1	
16	00 0239 388 0	CONTACT WASHER	A10-10,2X22,25X1,6	2	
16	00 0236 171 0	HEXAGONAL NUT	M10	1	
17	00 0794 937 2	SUPPORT	1420	1	
18	00 0237 439 0	HEXAGON HEAD BOLT	M8X16	3	
18	00 0239 387 0	CONTACT WASHER	A8-8,2X18X1,4	4	
18	00 0236 170 0	HEXAGONAL NUT	M8	1	
19	00 0782 676 0	REINFORCING PLATE		1	
20	00 0237 453 0	HEXAGON HEAD BOLT	M10X30	2	
20	00 0239 388 0	CONTACT WASHER	A10-10,2X22,25X1,6	4	
20	00 0236 171 0	HEXAGONAL NUT	M10	2	

FUEL TANK

Pos.	Part No.	Description	Dimension	Quantity	Conditions
1	00 0794 918 5	FUEL TANK	800 NUR ET	1	1)
1	00 0794 416 2	FUEL TANK	800LTR. OHNE Z-TANK	1	2)
1	00 0794 918 3	FUEL TANK	800 LTR	1	3)
2	00 0624 003 1	CAP	ERS.D.794918.4 DV 80 GL	1	4)
2	00 0217 508 0	CAP	DV 80 GL OHNE LÜFTUNG	1	
2	00 0177 621 0	CAP	D80 BELUEFTET, ABSCHLIES	1	5)
3	00 0736 238 0	TANK FILTER		1	
4	00 0794 995 0	BREATHER VALVE		1	6)
5	00 0794 998 1	SUCTION TUBE	800 LTR	1	
6	00 0016 596 3	LEVEL INDICATOR	L=1320MM	1	1)
6	00 0794 996 0	LEVEL INDICATOR	L=1340MM D=54MM	1	6)
6	00 0783 653 0	PT SCREW	6ST 4X40	1	
7	00 0794 993 0	GASKET	VORRATSGEBER	1	
8	00 0687 607 0	DRAIN SCREW	M33X2	1	7)
9	00 0217 459 1	O-RING	27X4,0 -N	1	8)
9	00 0215 958 1	FLAT SEAL RING	30X40X3	1	7)
11	00 0794 414 1	CONNECTION	MIT W.ABLAS ; KUGELH. ;	1	8)
12	00 0783 643 1	PLUG	WASSER + G3/8"	1	8)
13	00 0687 625 1	HEXAGON HEAD BOLT	M8X17 F. TANK WASSERABLA	1	8)
14	00 0783 652 0	BALL-TYPE TAP	DN8-I-G3/8XA-G3/8	1	8)
15	00 0783 644 1	ADAPTOR	G3/8"- 1/2" SAE J 20441	1	8)
16	00 0216 366 0	O-RING	10,50X1,5 NBR80	1	8)
17	00 0783 658 0	ANTI-ROTAT. LOCK	FUER 3/8" KUGELHAHN	1	8)
18	00 0038 915 0	SOCKET	SV 80 B/40	1	
19	00 0217 460 0	O-RING	18,64X3,53 -N	1	
20	00 0783 648 2	BLIND PLUG		1	9)
20	00 0794 998 1	SUCTION TUBE	800 LTR	1	7)
21	00 0217 460 0	O-RING	18,64X3,53 -N	1	1)
21	00 0211 091 2	O-RING	12 X 2 NBR 80	1	6)
22	00 0217 460 0	O-RING	18,64X3,53 -N	1	
23	00 0217 501 0	CONNECTOR	NQS 1/2" - 6 X 90 GRAD	1	1)
24	00 0136 529 0	PVC-HOSE	4+0,1X6X10000	1	10)
25	00 0211 701 0	O-RING	91,67X3,53-N	1	
26	00 0783 648 2	BLIND PLUG		2	1)
27	00 0794 417 2	VENTILATION		1	1)

1)	machine no.	+ from 58100305
2)	machine no.	+ from 58100181 up to 58400304
3)	Remarks	Cpl. up to no. 58100180
4)	Remarks	Ventilation
5)	Remarks	LOCKING
6)	machine no.	+ from 58100011 up to 58100304
7)	Remarks	up to no. 58100180
8)	Remarks	from no. 58100181
9)	machine no.	+ from 58100181

FUEL TANK

10) Remarks

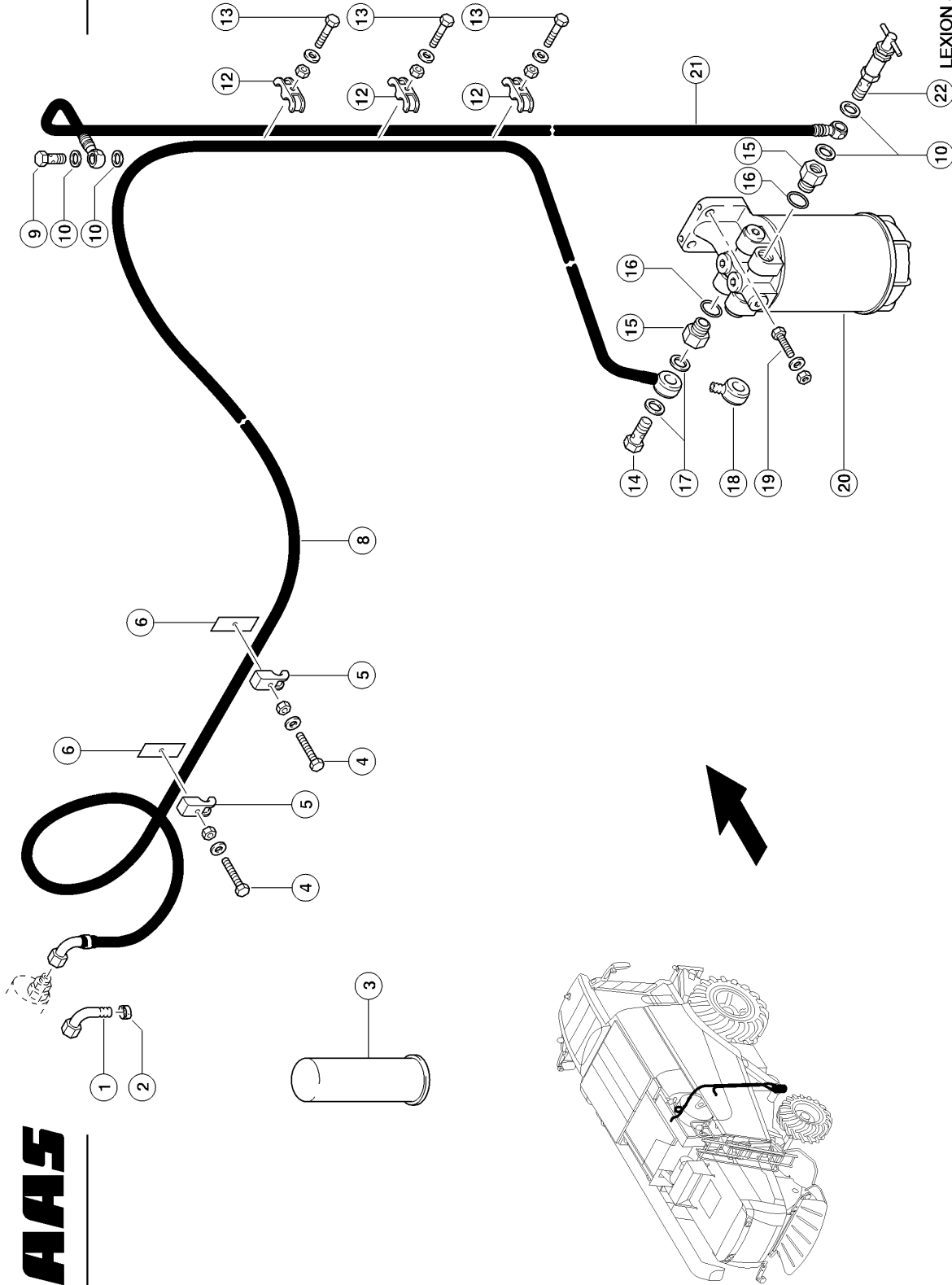
2800 mm long

964

CLAAS

16880z01
LEXION 570 MONTANA

142602/01



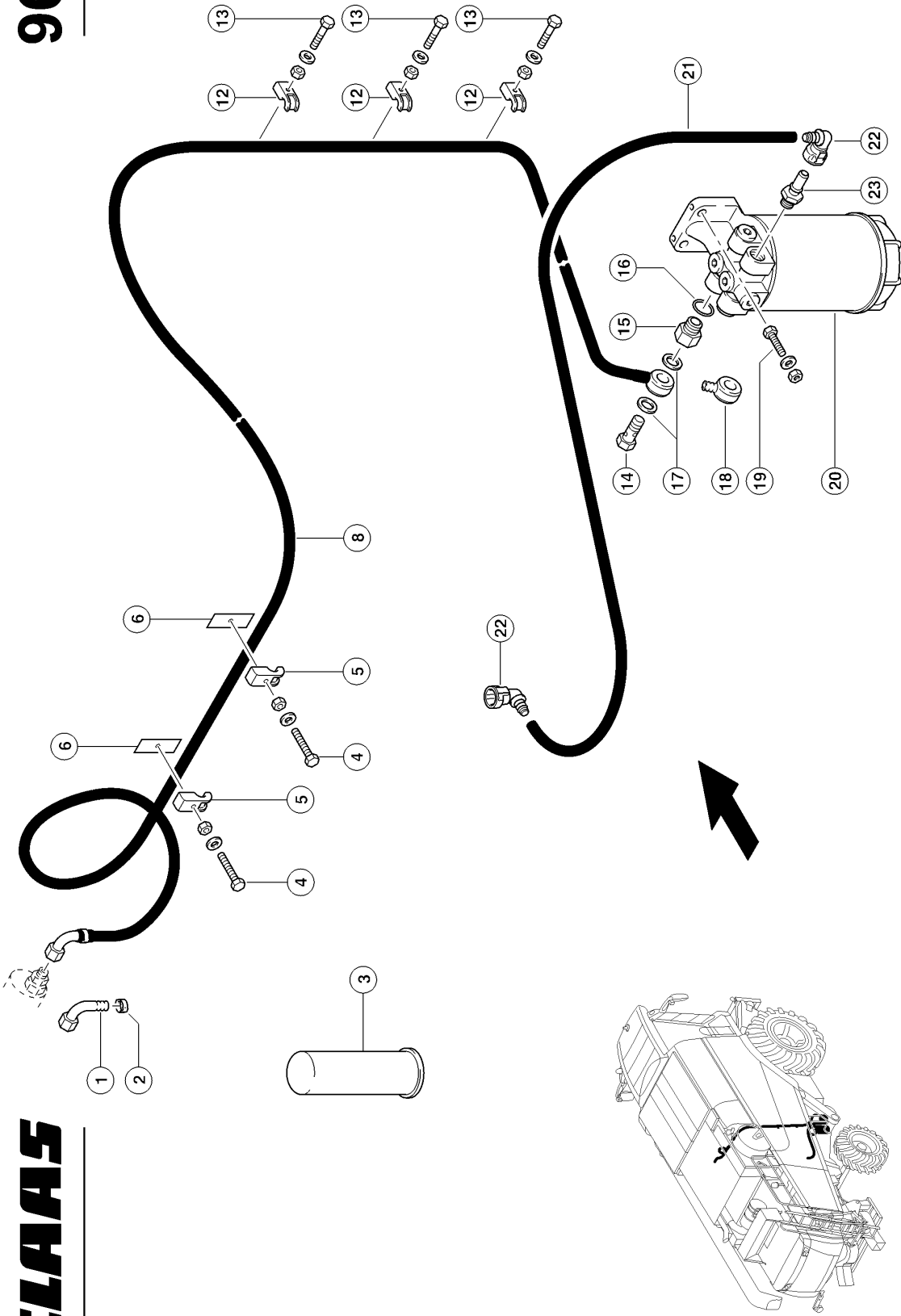
ENGINE; FUEL SYSTEM, FUEL COOL 1)

Pos.	Part No.	Description	Dimension	Quantity	Conditions
1	00 0796 220 1	CONNECTION	SWE90-L15-12	1	
2	00 0238 269 0	2-EAR-CLAMP	(N90-M22X1, 15-18	1	
3	00 0363 204 1	FUEL FILTER		1	2)
4	00 0242 442 0	HEXAGON HEAD BOLT	M 6X30	2	
4	00 0239 386 0	CONTACT WASHER	A 6	2	
4	00 0236 169 0	HEXAGONAL NUT	M6	2	
5	00 0715 242 0	CLAMP	A 15	2	
6	00 0656 255 0	COUNTER PLATE	25X3X46	2	
8	00 0796 198 1	FUEL PIPE	LG 2700 MM	1	3)
8	00 0798 284 1	FUEL PIPE		1	4)
8	00 0249 836 0	ANGULAR MALE CONNECTOR	SWOE-L15	1	5)
9	00 0096 030 0	HOLLOW SCREW	12 - M16X1,5 (12-3 ZULÄS	1	
10	00 0216 465 0	SEALING RING	D 16X22	4	
12	00 0715 241 0	DOUBLE CLAMP	B 15	3	
13	00 0235 505 0	HEXAGON HEAD BOLT	M06X30	3	
13	00 0239 386 0	CONTACT WASHER	A 6	3	
13	00 0236 169 0	HEXAGONAL NUT	M6	3	
14	00 0096 030 0	HOLLOW SCREW	12 - M16X1,5 (12-3 ZULÄS	1	
15	00 0545 906 0	SCREW UNION	M22X1.5/M16X1.5	2	6)
16	00 0238 451 0	O-RING	19,3 X2,4 -N	2	6)
17	00 0216 465 0	SEALING RING	D 16X22	2	
18	00 0216 458 0	CONNECTION	R16-12	1	
19	00 0237 442 0	HEXAGON HEAD BOLT	M8X25	2	
19	00 0239 393 1	CONTACT WASHER	B 8 -8.2X22X1,9	2	
19	00 0236 170 0	HEXAGONAL NUT	M8	2	
20	00 0796 211 0	FUEL FILTER		1	7)
20	00 0796 212 1	SEPARATOR		1	8)
21	00 0743 682 0	FUEL PIPE	KPL	1	
22	00 0761 583 1	LIMITATION VALVE	M16X1,5	1	

1) Remarks	Up To Serial No. 58100180
2) Remarks	FILTER GP-FUEL
3) Remarks	2700 mm long at motor C12
4) Remarks	2390mm long at motor C13
5) Remarks	bei MOTOR C13
6) Remarks	P06 / 10
7) Remarks	P06 / 20 see illustration plate 966
8) Remarks	P06 / 10 see illustration plate 966

964A

CLAAS



17521z01
LEXION 570 MONTANA

148875/01

ENGINE; FUEL SYSTEM, FUEL COOL 1)

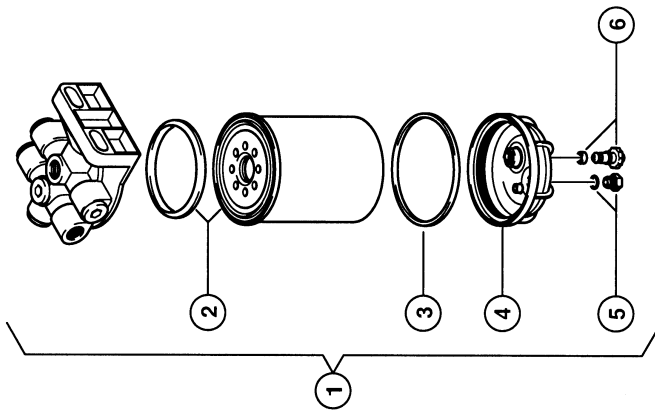
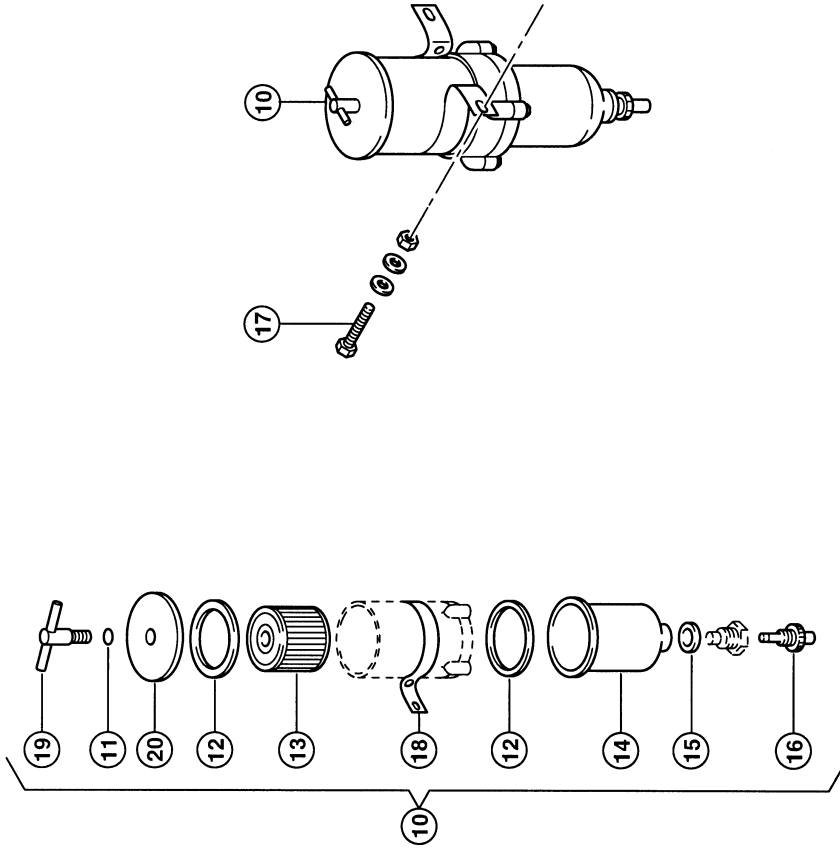
Pos.	Part No.	Description	Dimension	Quantity	Conditions
1	00 0796 220 1	CONNECTION	SWE90-L15-12	1	
2	00 0238 269 0	2-EAR-CLAMP	(N90-M22X1, 15-18	1	
3	00 0363 204 1	FUEL FILTER		1	2)
4	00 0242 442 0	HEXAGON HEAD BOLT	M 6X30	2	
4	00 0239 386 0	CONTACT WASHER	A 6	2	
4	00 0236 169 0	HEXAGONAL NUT	M6	2	
5	00 0715 242 0	CLAMP	A 15	2	
6	00 0656 255 0	COUNTER PLATE	25X3X46	2	
8	00 0798 284 1	FUEL PIPE		1	
8	00 0249 836 0	ANGULAR MALE CONNECTOR	SWOE-L15	1	
12	00 0715 242 0	CLAMP	A 15	3	
13	00 0235 505 0	HEXAGON HEAD BOLT	M06X30	3	
13	00 0239 386 0	CONTACT WASHER	A 6	3	
13	00 0236 169 0	HEXAGONAL NUT	M6	3	
14	00 0096 030 0	HOLLOW SCREW	12 - M16X1,5 (12-3 ZULÄS	1	
15	00 0545 906 0	SCREW UNION	M22X1.5/M16X1.5	1	3)
16	00 0238 451 0	O-RING	19,3 X2,4 -N	1	3)
17	00 0216 465 0	SEALING RING	D 16X22	2	
18	00 0216 458 0	CONNECTION	R16-12	1	
19	00 0237 442 0	HEXAGON HEAD BOLT	M8X25	2	
19	00 0239 393 1	CONTACT WASHER	B 8 -8.2X22X1,9	2	
19	00 0236 170 0	HEXAGONAL NUT	M8	2	
20	00 0796 211 0	FUEL FILTER		1	4)
20	00 0796 212 1	SEPARATOR		1	5)
21	00 0799 121 1	FUEL PIPE	TANK-FILTER	1	6)
22	00 0798 863 0	CONNECTOR	NORMAQUICK S NW 1/2"-10-	2	
23	00 0798 664 0	ADAPTER	M16X1,5 / 1/2" SAE J 204	1	7)
23	00 0798 652 1	ADAPTER	DN 12 - F-M22X1,5	1	8)
23	00 0215 922 0	O-RING	19,3X2,2-N	1	9)

1) Remarks	From Serial No. 58100181
2) Remarks	FILTER GP-FUEL
3) Remarks	P06 / 10
4) Remarks	P06 / 20 see illustration plate 966
5) Remarks	P06 / 10 see illustration plate 966
6) Remarks	with Item 22
7) Remarks	Po6 / 20
8) Remarks	Po 6 / 10
9) Remarks	PO6 / 10

966

CLAAS

LEXION 570 MONTANA



16767z01
LEXION 570 MONTANA

142603

FUEL FILTER ASSEMBLIES 1)

Pos.	Part No.	Description	Dimension	Quantity	Conditions
1	00 0796 211 0	FUEL FILTER		1	2)
2	00 0796 213 0	FILTER ELEMENT		1	3)
3	00 0796 789 0	SEALING RING		1	
4	00 0796 788 0	WATER CONTAINER		1	4)
5	00 0796 791 0	SCREW PLUG		1	3)
6	00 0796 790 0	PLUG		1	3)
10	00 0796 212 1	SEPARATOR		1	5)
11	00 0211 091 2	O-RING	12 X 2 NBR 80	1	
12	00 0072 995 0	HOUSING GASKET		2	
13	00 0796 214 0	FILTER ELEMENT		1	
14	00 0072 996 1	WATER CONTAINER		1	
15	00 0723 694 1	GASKET	RACOR 500/900 FG	1	
16	00 0796 022 0	DRAIN VALVE		1	
17	00 0237 442 0	HEXAGON HEAD BOLT	M8X25	2	
17	00 0236 170 0	HEXAGONAL NUT	M8	2	
17	00 0239 393 1	CONTACT WASHER	B 8 -8.2X22X1,9	4	
18	00 0067 328 1	SUPPORT		1	
19	00 0796 024 0	WING SCREW		1	
20	00 0796 023 0	COVER		1	

1) Remarks

P 06 / 10 Zusatz-Filter
P 06 / 20 Vorfilter Standard

2) Remarks

p06 / 20 (Item1-6)
see illustration plate 964

3) Remarks

with sealing ring

4) Remarks

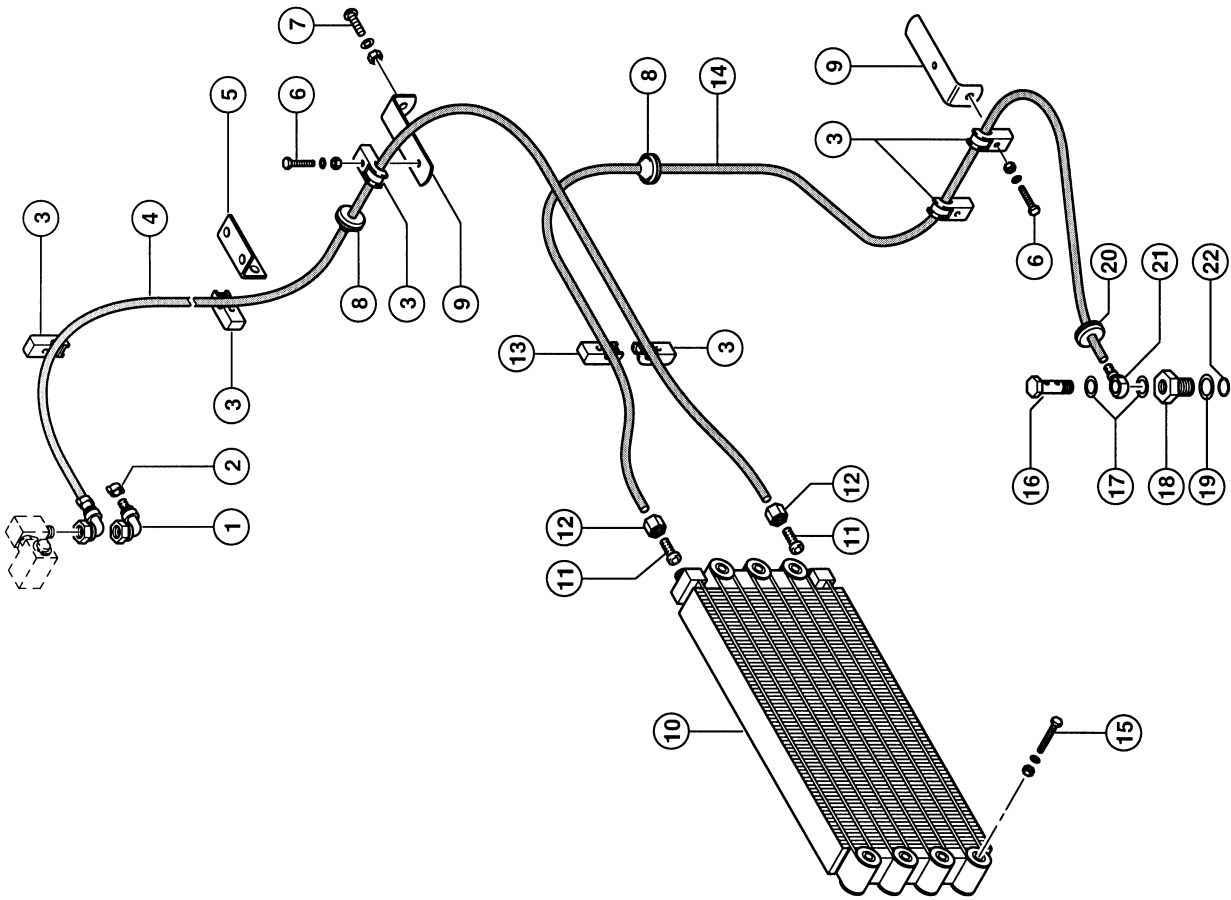
with Item 3, 5, 6

5) Remarks

Po 6 / 10
Item 10-16, 18-20
see illustration plate 964

968

16770z00
LEXION 570 MONTANA



CLAAS

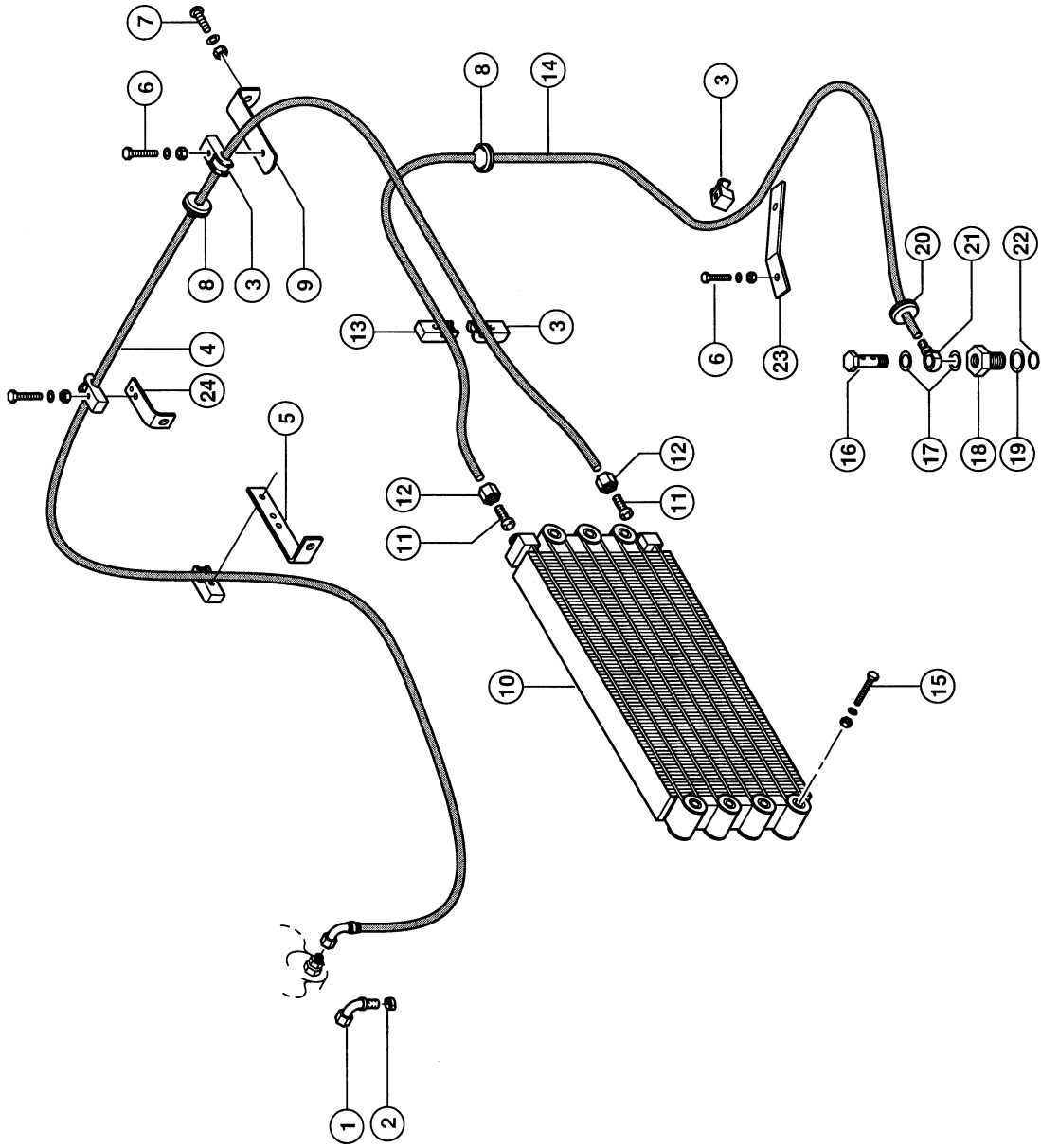
ENGINE CAT C12; FUEL SYSTEM, FUEL COOLER

Pos.	Part No.	Description	Dimension	Quantity	Conditions
1	00 0353 723 1	CONNECTION	90°-11/16-16UN-2B	1	
2	00 0408 544 0	2-EAR CLAMP	11-13 ERS.D. 408544.1	1	
3	00 0216 117 0	CLAMP	A 10	5	
4	00 0796 196 1	FUEL PIPE	LG 1850 MM	1	1)
5	00 0659 234 1	SUPPORT BRACKET	3X60X60	1	
6	00 0238 094 0	HEXAGON HEAD BOLT	M06X25	2	
6	00 0239 386 0	CONTACT WASHER	A 6	2	
6	00 0236 169 0	HEXAGONAL NUT	M6	2	
7	00 0610 099 1	COACH BOLT	M 8X 25	1	
7	00 0239 387 0	CONTACT WASHER	A8-8,2X18X1,4	1	
7	00 0236 170 0	HEXAGONAL NUT	M8	1	
8	00 0735 998 0	GROMMET	C 6-12X24X1,5	1	
9	00 0077 376 0	SUPPORT	3X30X153	1	
10	00 0350 370 0	FUEL COOLER		1	
11	00 0239 304 0	CONNECTION	D16X1,5-8	1	
12	00 0216 006 0	UNION NUT	BLL10	1	
13	00 0715 242 0	CLAMP	A 15	1	
14	00 0743 755 0	FUEL HOSE	KUEHLER-TANK LG 2250 MM	1	2)
15	00 0235 344 0	COACH BOLT	M 6X45	3	
15	00 0239 386 0	CONTACT WASHER	A 6	3	
15	00 0236 169 0	HEXAGONAL NUT	M6	3	
16	00 0096 030 0	HOLLOW SCREW	12 - M16X1,5 (12-3 ZULÄS	1	
17	00 0633 114 1	FLAT SEAL RING	D 14X20X1,5	2	
18	00 0736 256 2	THREADED INSET	6KT32X48	1	
19	00 0233 131 0	WASHER	28X 42X 1	1	
20	00 0238 250 0	GROMMET	A 24X30X3,5	1	
21	00 0216 405 0	CONNECTION	16-8 (RSN 28-0)	1	
22	00 0215 956 1	O-RING	18,4X5,33-N	1	
1)	Remarks		1850 mm long		
2)	Remarks		2280 mm long		

968A

CLAAS

17202z00
LEXION 570 MONTANA



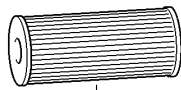
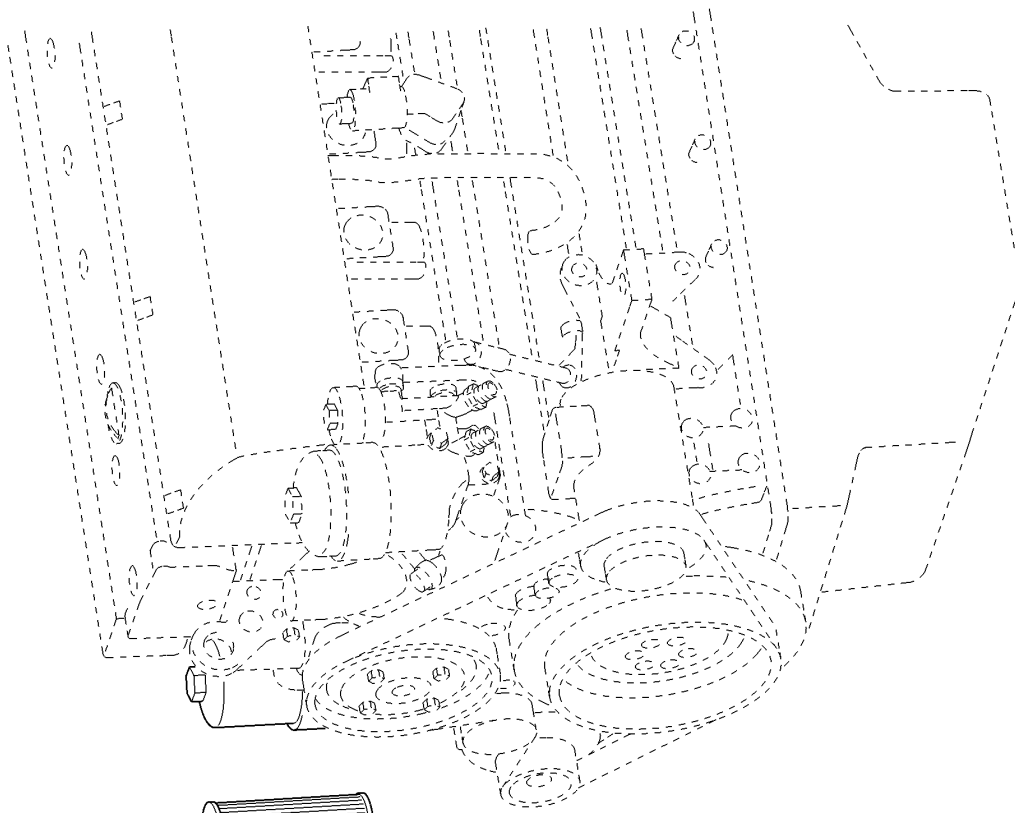
143769

ENGINE CAT C13; FUEL SYSTEM, FUEL COOLER

Pos.	Part No.	Description	Dimension	Quantity	Conditions
1	00 0353 723 1	CONNECTION	90°-11/16-16UN-2B	1	
2	00 0408 544 0	2-EAR CLAMP	11-13 ERS.D. 408544.1	1	
3	00 0216 117 0	CLAMP	A 10	5	
4	00 0798 242 1	FUEL PIPE		1	1)
5	00 0351 033 1	ANGLE	30X5X205	1	
6	00 0238 094 0	HEXAGON HEAD BOLT	M06X25	2	
6	00 0239 386 0	CONTACT WASHER	A 6	2	
6	00 0236 169 0	HEXAGONAL NUT	M6	2	
7	00 0610 099 1	COACH BOLT	M 8X 25	1	
7	00 0239 387 0	CONTACT WASHER	A8-8,2X18X1,4	1	
7	00 0236 170 0	HEXAGONAL NUT	M8	1	
8	00 0735 998 0	GROMMET	C 6-12X24X1,5	1	
9	00 0077 376 0	SUPPORT	3X30X153	1	
10	00 0350 370 0	FUEL COOLER		1	
11	00 0239 304 0	CONNECTION	D16X1,5-8	1	
12	00 0216 006 0	UNION NUT	BLL10	1	
13	00 0715 242 0	CLAMP	A 15	1	
14	00 0743 755 0	FUEL HOSE	KUEHLER-TANK LG 2250 MM	1	2)
15	00 0235 344 0	COACH BOLT	M 6X45	3	
15	00 0239 386 0	CONTACT WASHER	A 6	3	
15	00 0236 169 0	HEXAGONAL NUT	M6	3	
16	00 0096 030 0	HOLLOW SCREW	12 - M16X1,5 (12-3 ZULÄS	1	
17	00 0633 114 1	FLAT SEAL RING	D 14X20X1,5	2	
18	00 0736 256 2	THREADED INSET	6KT32X48	1	
19	00 0233 131 0	WASHER	28X 42X 1	1	
20	00 0238 250 0	GROMMET	A 24X30X3,5	1	
21	00 0216 405 0	CONNECTION	16-8 (RSN 28-0)	1	
22	00 0215 956 1	O-RING	18,4X5,33-N	1	
23	00 0726 276 0	SUPPORT	25X4X149	1	
24	00 0625 072 1	SUPPORT	25X5X107	1	
1)	Remarks		3500 mm long		
2)	Remarks		2280 mm long		

964B

CLAAS



1

17583z00
LEXION 570 MONTANA

149031

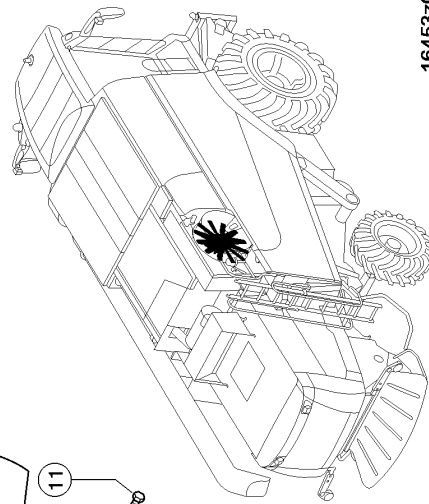
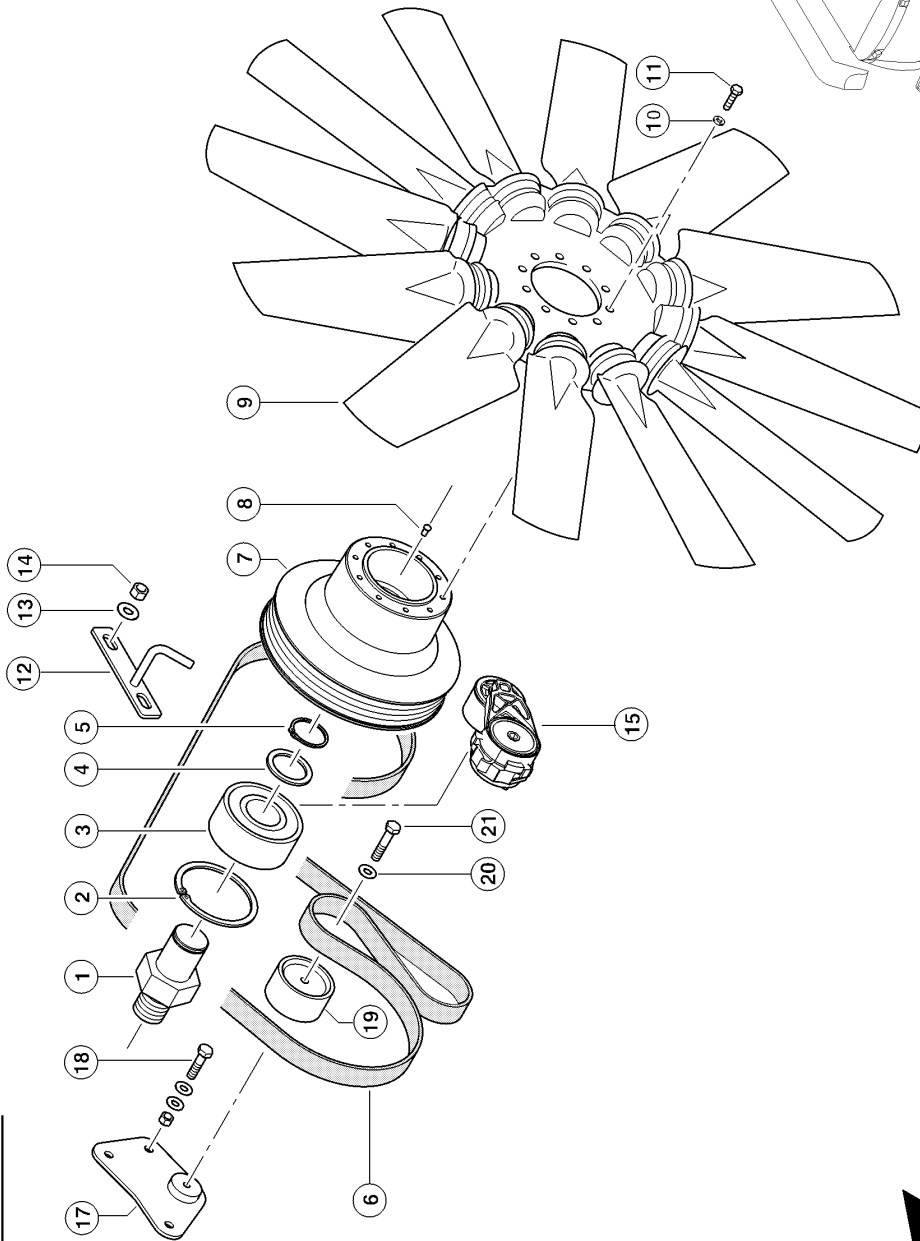


ENGINE OIL FILTER

Pos.	Part No.	Description	Dimension	Quantity	Conditions
1	00 0798 303 1	ENGINE OIL FILTER		1	

631

CLAAS



16453Z03
LEXION 570 MONTANA



142516/03

DRIVE GP-FAN

Pos.	Part No.	Description	Dimension	Quantity	Conditions
1	00 0350 337 0	BEARING BOLT	SECHSKANT50X100	1	
2	00 0236 318 0	CIRCLIP	80X2,5	1	
3	00 0215 960 0	ANG. BALL BEARING	3307-2RS -35X80X34,9	1	
4	00 0234 385 0	BACK-UP WASHER	S 35X45	1	
5	00 0235 164 0	CIRCLIP	35X1,5	1	
6	00 0628 964 1	V-RIBBED BELT		1	1)
6	00 0743 910 1	V-RIBBED BELT		1	2)
7	00 0796 659 0	V-BELT PULLEY	D219.4X105,5	1	3)
7	00 0798 280 0	V-BELT PULLEY		1	4)
8	00 0244 548 0	NOTCHED NAIL	3 X 5	1	
9	00 0796 021 1	FAN WHEEL	842/12-12/P5ZL/32,	1	3)
9	00 0798 282 0	FAN WHEEL	5/PAG/ 850/8-16/S4ZL/35/P	1	5)
9	00 0743 898 0	FAN WHEEL	AG/75/ 870/9-9/P5ZL/35/PAG	1	6)
10	00 0239 386 0	CONTACT WASHER	/75/- A 6	10	
11	00 0237 467 0	HEXAGON HEAD BOLT	M 6X22	10	
12	00 0796 920 0	DEFLECTOR STOP		1	7)
13	00 0239 389 0	CONTACT WASHER	A12	2	7)
14	00 0239 418 0	HEXAGONAL NUT	M12	2	7)
15	00 0799 183 0	BELT TENSIONER	47,5NM-36GRAD	1	8)
15	00 0796 449 0	BELT TENSIONER	25.4NM-36GRAD	1	3)
17	00 0796 923 0	BRACKET		1	
18	00 0238 875 1	HEXAGON HEAD BOLT	M10X40	3	
18	00 0239 388 0	CONTACT WASHER	A10-10,2X22,25X1,6	6	
18	00 0236 171 0	HEXAGONAL NUT	M10	3	
19	00 0796 924 0	IDLER PULLEY		1	
20	00 0239 388 0	CONTACT WASHER	A10-10,2X22,25X1,6	1	
21	00 0238 010 0	HEXAGON HEAD BOLT	M10X50	1	

1) Remarks from No. 58100038

2) Remarks to No. 58100037

3) Remarks at motor C12

4) Remarks at motor C13
with items 1 - 5, 8

5) Remarks at motor C13
from No. 58100083

6) Remarks at motor C13
to No. 58100082

7) Remarks at motor C12
from No. 58100038

8) Remarks at motor C13

Thank you so much for reading.
Please click the “Buy Now!”
button below to download the
complete manual.



After you pay.

You can download the most
perfect and complete manual in
the world immediately.

Our support email:

ebooklibonline@outlook.com