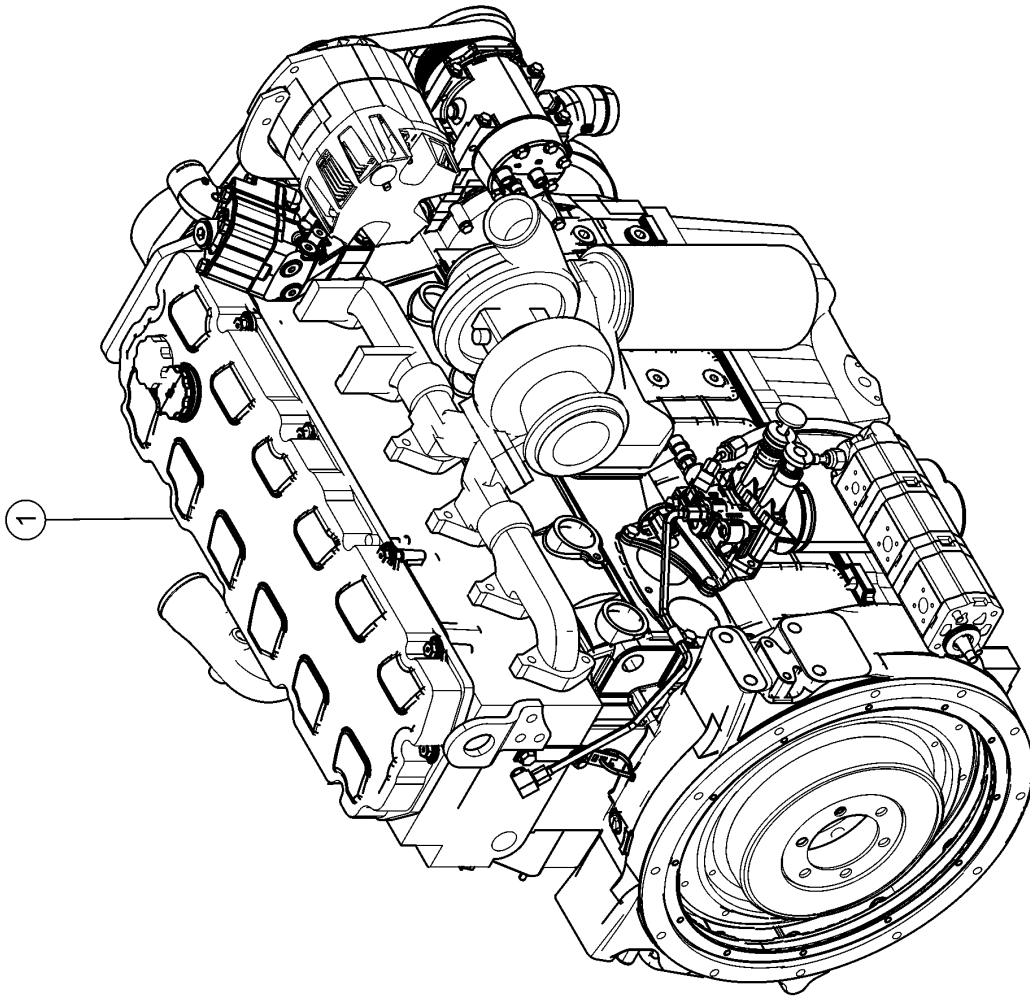


1000

19141Z00

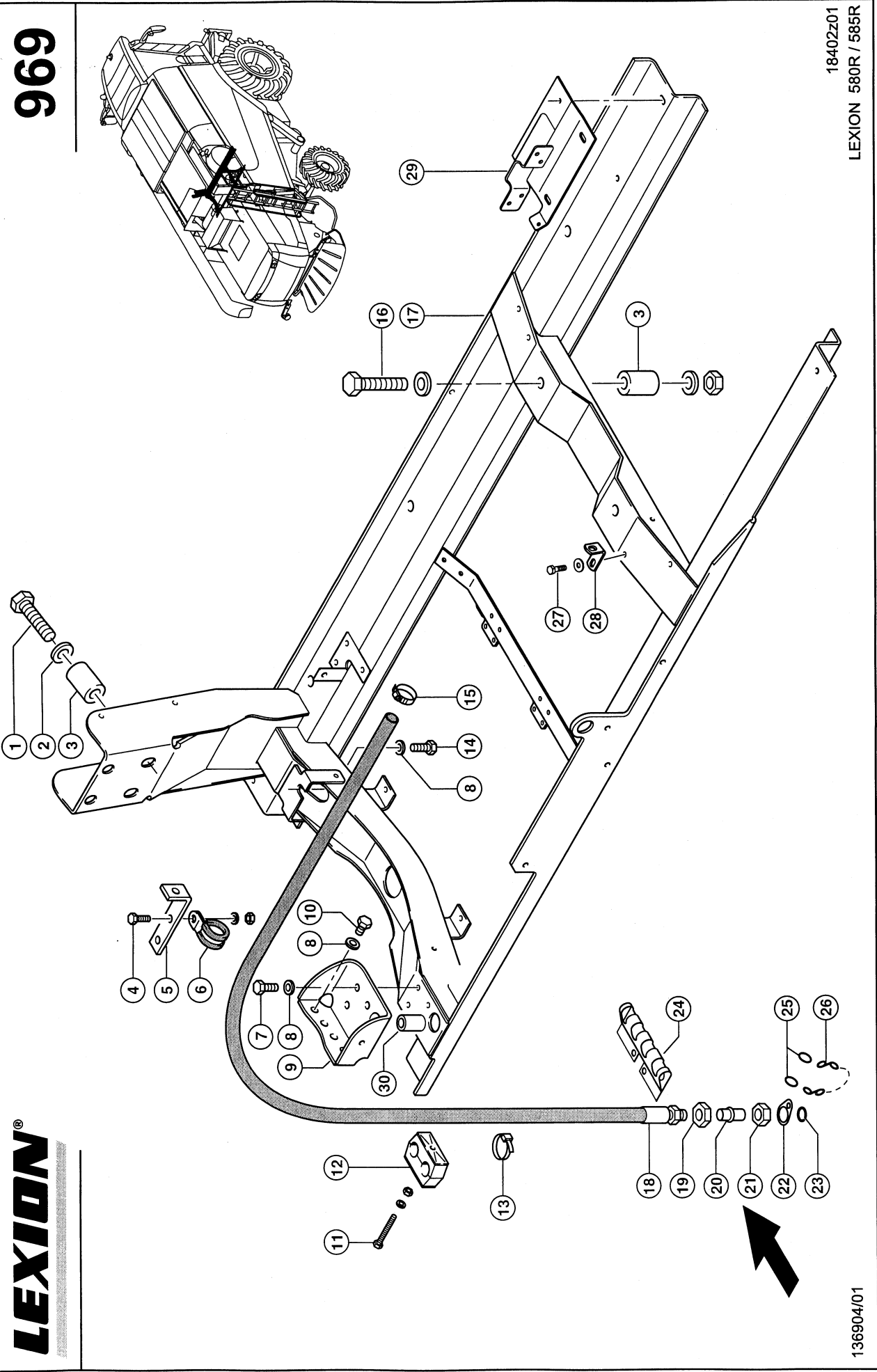


**LEXION®**

**010 COMPLETE ENGINE**

<b>Pos.</b>	<b>Part No.</b>	<b>Description</b>	<b>Dimension</b>	<b>Quantity</b>	<b>Conditions</b>
1	<b>00 0798 012 1</b>	ENGINE	C9 232KW TIER3	1	1)
1	<b>00 0798 013 1</b>	ENGINE	C9 261KW TIER3	1	2)
<b>1) Equipment</b>					
		MD_P02_0660	CAT C9 engine (EWG230kW/ECE217kW)		
<b>2) Equipment</b>					
		MD_P02_0650	CAT C9 engine (EWG258kW/ECE243kW)		

969



18402z01  
LEXION 580R / 585R

**LEXION**<sup>®</sup>

136904/01

**BASE C12, C13, OIL DRAIN HOSE 1)**

Pos.	Part No.	Description	Dimension	Quantity	Conditions
1	<b>00 0215 631 0</b>	HEXAGON HEAD BOLT	3/4-10UNC-2AX4 1/2	4	
2	<b>00 0212 191 0</b>	CONTACT WASHER	A20	4	
3	<b>00 0796 231 0</b>	BUSHING	D42D20.5X62	6	
4	<b>00 0237 442 0</b>	HEXAGON HEAD BOLT	M8X25	1	
4	<b>00 0236 170 0</b>	HEXAGONAL NUT	M8	1	
4	<b>00 0239 387 0</b>	CONTACT WASHER	A8-8,2X18X1,4	1	
5	<b>00 0073 012 1</b>	ANGLE	30X5X160	1	
6	<b>00 0215 394 0</b>	HOLDER CLAMP	D1-24X20	2	
7	<b>00 0237 461 0</b>	HEXAGON HEAD BOLT	M12X30	3	
8	<b>00 0239 389 0</b>	CONTACT WASHER	A12	8	
9	<b>00 0796 666 1</b>	SUPPORT		1	
10	<b>00 0237 458 0</b>	HEXAGON HEAD BOLT	M12X20	4	
11	<b>00 0235 522 0</b>	HEXAGON HEAD BOLT	M8 X 65	2	
11	<b>00 0236 170 0</b>	HEXAGONAL NUT	M8	2	
11	<b>00 0239 387 0</b>	CONTACT WASHER	A8-8,2X18X1,4	2	
12	<b>00 0689 060 0</b>	CLAMP	Z KP-3-R-25-25-PA	1	
13	<b>00 0697 798 0</b>	CABLE TIE	7,6X290X1,9	2	
14	<b>00 0211 465 0</b>	HEX.HEAD BOLT	1/2-13UNC-2AX1 1/2	1	
15	<b>00 0408 554 2</b>	HOSE CLAMP	W.ERS.D.4085543	1	
16	<b>00 0211 573 0</b>	HEXAGON HEAD BOLT	M18-100	2	
16	<b>00 0212 191 0</b>	CONTACT WASHER	A20	4	
16	<b>00 0242 848 0</b>	HEXAGONAL NUT	M18	2	
17	<b>00 0796 630 1</b>	ENGINE MOUNTING		1	
18	<b>00 0350 390 1</b>	OIL DRAIN HOSE		1	
19	<b>00 0236 327 0</b>	HEXAGONAL NUT	M22X1,5	1	
20	<b>00 0077 528 2</b>	DRAIN FITTING	D18,1X51,5	1	
21	<b>00 0633 589 1</b>	UNION NUT	A3 L15	1	
22	<b>00 0077 529 0</b>	STRAP	1,0X0026X0041	1	
23	<b>00 0215 080 0</b>	SNAP RING	A 14	1	
24	<b>00 0771 504 0</b>	SUPPORT	3,0X126X230	1	
25	<b>00 0002 846 0</b>	RING	SPIRALFÖRMIG OFFEN2 16 X		
26	<b>00 0002 848 0</b>	KNOT CHAIN	1,8X 25X 6GL	1	
27	<b>00 0237 874 0</b>	HEXAGON HEAD BOLT	M10X35	1	
27	<b>00 0239 394 1</b>	CONTACT WASHER	B10	1	
28	<b>00 0350 391 0</b>	SUPPORT	25X5X98	1	
29	<b>00 0743 841 0</b>	SUPPORT	LUFTSCHACHT	1	2)
30	<b>00 0796 273 0</b>	BUSHING	D32/D18X50	2	

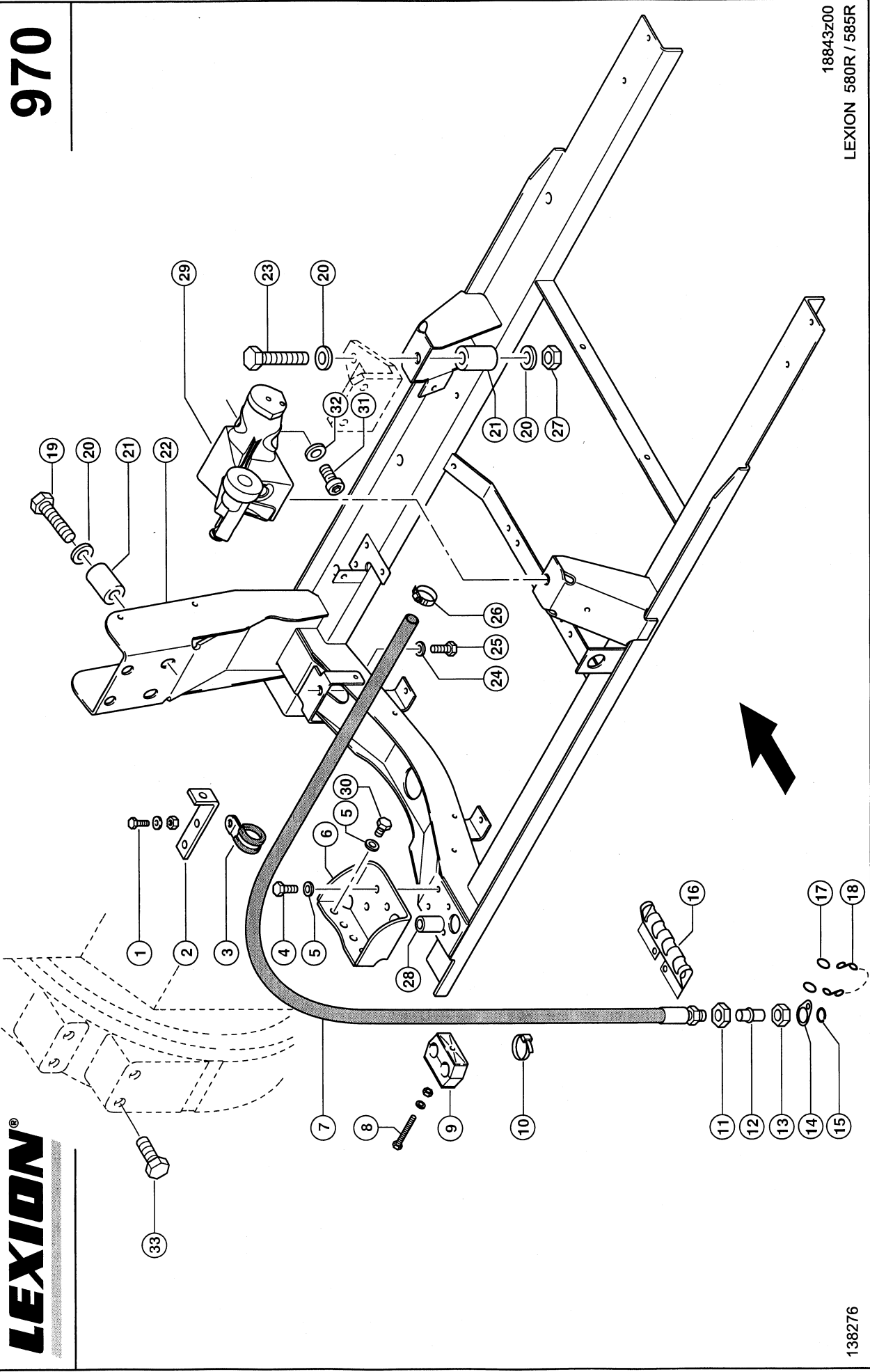
**1) Remarks**

P 02/600 = Cat C12  
P 02/630 = Cat C13

**2) Remarks**

With Engine C12

970



**LEXION®**

18843z00  
LEXION 580R / 585R

138276

**CAT C9 BASE, OIL DRAIN HOSE 1)**

Pos.	Part No.	Description	Dimension	Quantity	Conditions
1	<b>00 0236 200 0</b>	HEXAGON HEAD BOLT	M8X20	1	
1	<b>00 0239 387 0</b>	CONTACT WASHER	A8-8,2X18X1,4	1	
1	<b>00 0236 170 0</b>	HEXAGONAL NUT	M8	1	
2	<b>00 0073 012 1</b>	ANGLE	30X5X160	1	
3	<b>00 0215 394 0</b>	HOLDER CLAMP	D1-24X20	2	
4	<b>00 0237 461 0</b>	HEXAGON HEAD BOLT	M12X30	4	
5	<b>00 0239 389 0</b>	CONTACT WASHER	A12	8	
6	<b>00 0760 949 2</b>	SUPPORT REAR		1	
7	<b>00 0350 390 1</b>	OIL DRAIN HOSE		1	
8	<b>00 0235 522 0</b>	HEXAGON HEAD BOLT	M8 X 65	2	
8	<b>00 0239 387 0</b>	CONTACT WASHER	A8-8,2X18X1,4	2	
8	<b>00 0236 170 0</b>	HEXAGONAL NUT	M8	2	
9	<b>00 0689 060 0</b>	CLAMP	Z KP-3-R-25-25-PA	1	
10	<b>00 0697 798 0</b>	CABLE TIE	7,6X290X1,9	2	
11	<b>00 0236 327 0</b>	HEXAGONAL NUT	M22X1,5	1	
12	<b>00 0077 528 1</b>	DRAIN FITTING	D18,1X51,5	1	
13	<b>00 0633 589 1</b>	UNION NUT	A3 L15	1	
14	<b>00 0077 529 0</b>	STRAP	1,0X0026X0041	1	
15	<b>00 0215 080 0</b>	SNAP RING	A 14	1	
16	<b>00 0771 504 0</b>	SUPPORT	3,0X126X230	1	
17	<b>00 0002 846 0</b>	RING	SPIRALFÖRMIG OFFEN 2 16 X		
18	<b>00 0002 848 0</b>	KNOT CHAIN	1,8X 25X 6GL	1	
19	<b>00 0215 631 0</b>	HEXAGON HEAD BOLT	3/4-10UNC-2AX4 1/2	4	
20	<b>00 0212 191 0</b>	CONTACT WASHER	A20	8	
21	<b>00 0796 231 0</b>	BUSHING	D42D20.5X62	6	
22	<b>00 0353 682 2</b>	ENGINE MOUNTING	C9 TYP 583	1	
23	<b>00 0211 186 0</b>	HEXAGON HEAD BOLT	M20X130	2	
24	<b>00 0239 389 0</b>	CONTACT WASHER	A12	1	
25	<b>00 0211 465 0</b>	HEX.HEAD BOLT	1/2-13UNC-2AX1 1/2	1	
26	<b>00 0408 554 2</b>	HOSE CLAMP	W.ERS.D.4085543	1	
27	<b>00 0237 521 0</b>	HEX.NUT	M20	2	
28	<b>00 0796 273 0</b>	BUSHING	D32/D18X50	2	
29	<b>00 0796 942 1</b>	ENGINE SUPPORT		1	
30	<b>00 0237 458 0</b>	HEXAGON HEAD BOLT	M12X20	4	
31	<b>00 0214 367 0</b>	SOCKET HEAD SCREW	M16X 40	4	
32	<b>00 0215 291 1</b>	WASHER	16 -16,2X24,6X3,5	4	
33	<b>00 0214 077 0</b>	HEXAGON HEAD BOLT	3/4-10X2	2	

**1) Remarks**

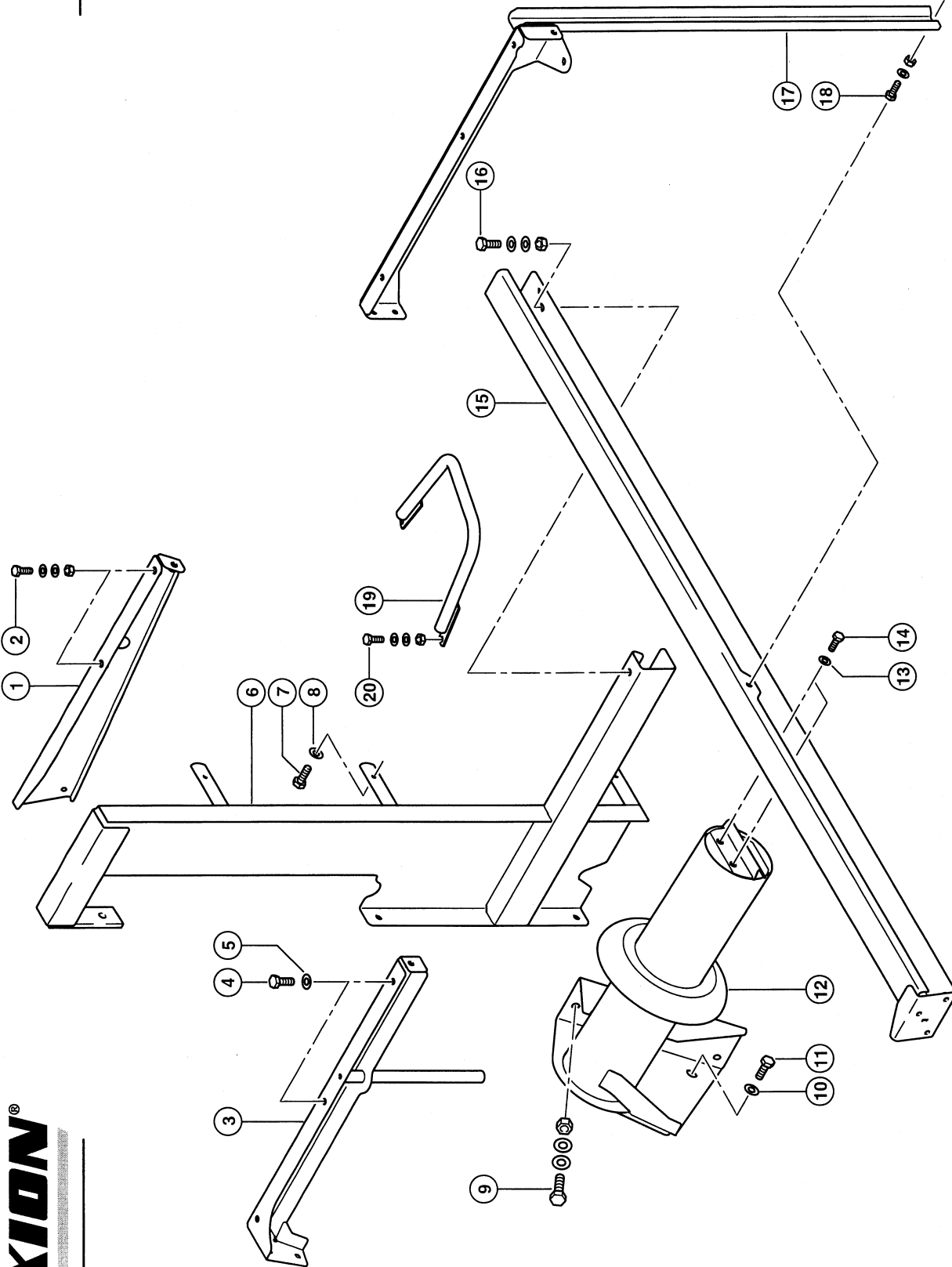
P 02/650 = Cat C9

782

LEXION®

LEXION 585-560 R

18839Z00  
LEXION 580R / 585R



142909/01

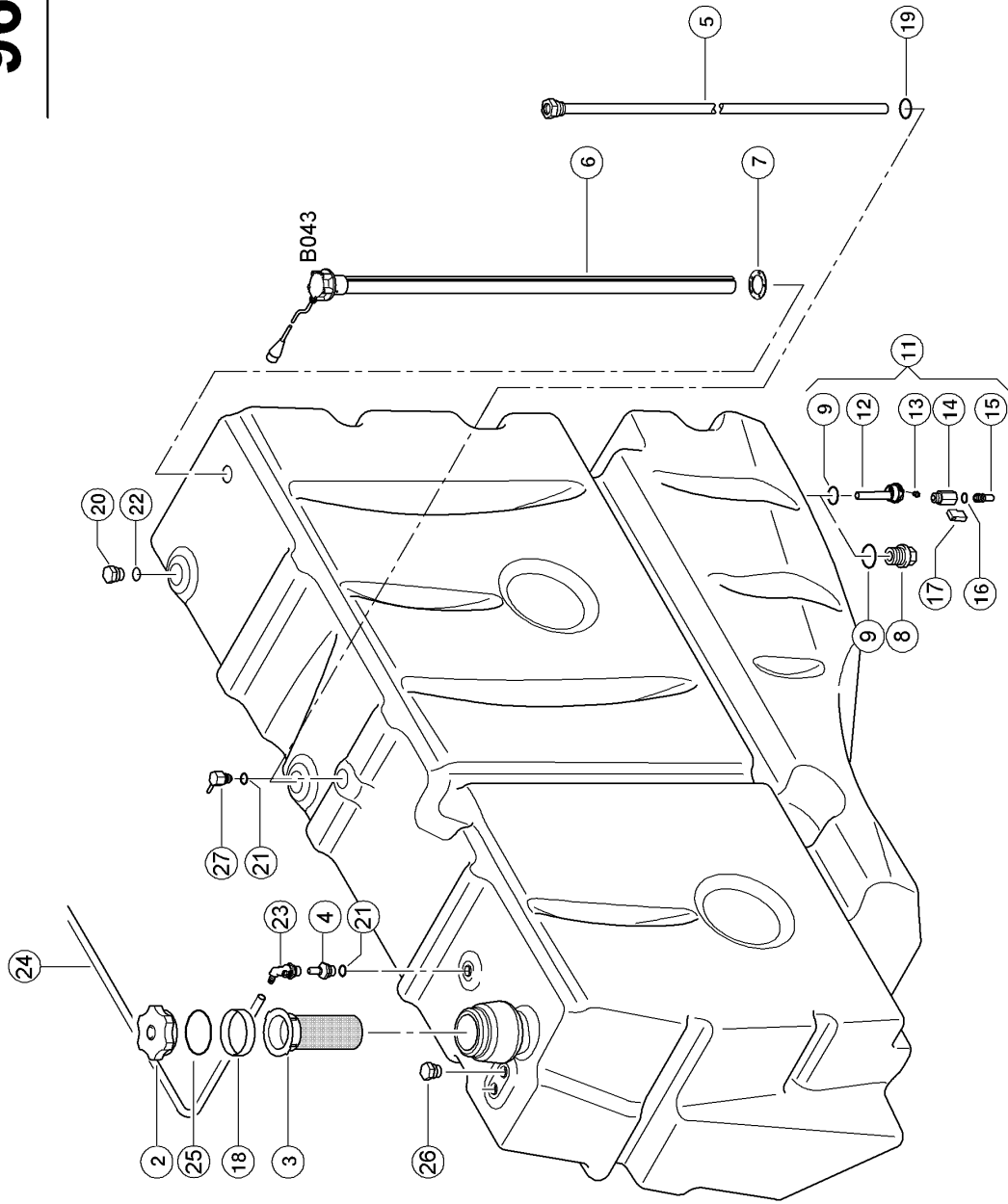
**BRACKET FOR FUEL TANK**

<b>Pos.</b>	<b>Part No.</b>	<b>Description</b>	<b>Dimension</b>	<b>Quantity</b>	<b>Conditions</b>
1	<b>00 0794 841 4</b>	FASTENER	1400	1	
2	<b>00 0237 370 0</b>	HEXAGON HEAD BOLT	M8X30	2	
2	<b>00 0239 387 0</b>	CONTACT WASHER	A8-8,2X18X1,4	4	
2	<b>00 0236 170 0</b>	HEXAGONAL NUT	M8	2	
3	<b>00 0794 939 1</b>	SUPPORT	688,5X164X109,8	1	
4	<b>00 0237 453 0</b>	HEXAGON HEAD BOLT	M10X30	2	
5	<b>00 0239 388 0</b>	CONTACT WASHER	A10-10,2X22,25X1,6	2	
6	<b>00 0794 938 3</b>	SUPPORT	1420	1	
7	<b>00 0237 453 0</b>	HEXAGON HEAD BOLT	M10X30	3	
8	<b>00 0239 388 0</b>	CONTACT WASHER	A10-10,2X22,25X1,6	3	
9	<b>00 0237 461 0</b>	HEXAGON HEAD BOLT	M12X30	4	
9	<b>00 0239 387 0</b>	CONTACT WASHER	A8-8,2X18X1,4	8	
9	<b>00 0236 172 0</b>	HEXAGONAL NUT	M12	4	
10	<b>00 0239 388 0</b>	CONTACT WASHER	A10-10,2X22,25X1,6	1	
11	<b>00 0237 453 0</b>	HEXAGON HEAD BOLT	M10X30	1	
12	<b>00 0794 935 2</b>	MAIN FRAME	1420	1	
13	<b>00 0239 387 0</b>	CONTACT WASHER	A8-8,2X18X1,4	2	
14	<b>00 0237 439 0</b>	HEXAGON HEAD BOLT	M8X16	2	
15	<b>00 0794 855 1</b>	SUPPORT		1	
16	<b>00 0237 453 0</b>	HEXAGON HEAD BOLT	M10X30	1	
16	<b>00 0239 388 0</b>	CONTACT WASHER	A10-10,2X22,25X1,6	2	
16	<b>00 0236 171 0</b>	HEXAGONAL NUT	M10	1	
17	<b>00 0794 937 2</b>	SUPPORT	1420	1	
18	<b>00 0237 439 0</b>	HEXAGON HEAD BOLT	M8X16	3	
18	<b>00 0239 387 0</b>	CONTACT WASHER	A8-8,2X18X1,4	4	
18	<b>00 0236 170 0</b>	HEXAGONAL NUT	M8	1	
19	<b>00 0782 676 0</b>	REINFORCING PLATE		1	
20	<b>00 0237 453 0</b>	HEXAGON HEAD BOLT	M10X30	2	
20	<b>00 0239 388 0</b>	CONTACT WASHER	A10-10,2X22,25X1,6	4	
20	<b>00 0236 171 0</b>	HEXAGONAL NUT	M10	2	



**LEXION®**

**963**



18100z05  
LEXION 585R - 560R

136848/03

**FUEL TANK**

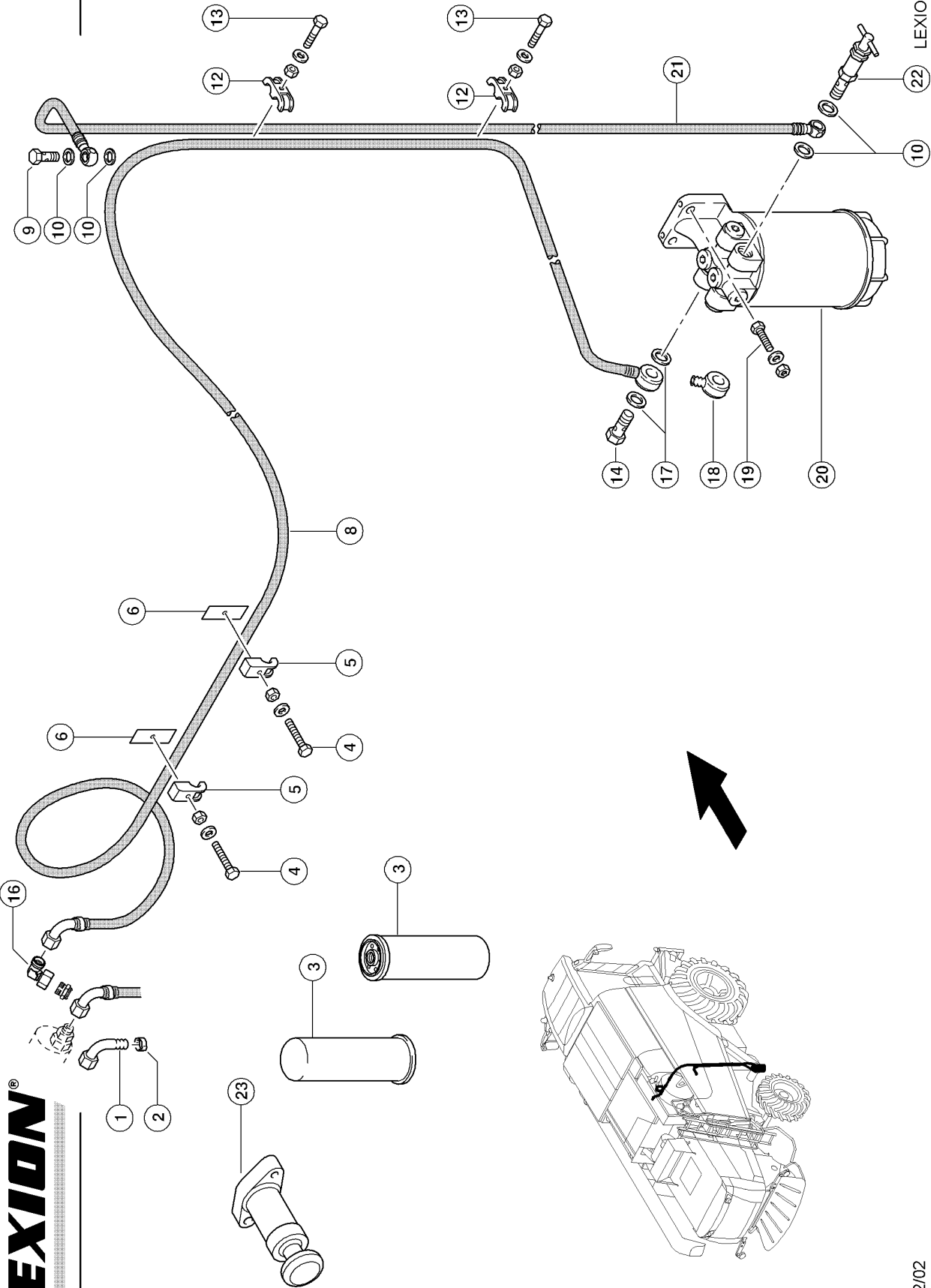
Pos.	Part No.	Description	Dimension	Quantity	Conditions
1	<b>00 0794 918 5</b>	FUEL TANK	800 NUR ET	1	1)
1	<b>00 0794 416 2</b>	FUEL TANK	800LTR. OHNE Z-TANK	1	2)
2	<b>00 0624 003 1</b>	CAP	DV 80 GL	1	3)
2	<b>00 0217 508 0</b>	CAP	DV 80 GL OHNE LÜFTUNG	1	
2	<b>00 0177 621 0</b>	CAP	D80 BELUEFTET, ABSCHLIES	1	4)
3	<b>00 0736 238 0</b>	TANK FILTER		1	
4	<b>00 0794 417 2</b>	VENTILATION		1	1)
5	<b>00 0794 998 1</b>	SUCTION TUBE	800 LTR	1	
6	<b>00 0016 596 3</b>	LEVEL INDICATOR	L=1320MM	1	5)
6	<b>00 0794 996 0</b>	LEVEL INDICATOR	L=1340MM D=54MM	1	6)
6	<b>00 0783 653 0</b>	PT SCREW	6ST 4X40	1	
7	<b>00 0794 993 0</b>	GASKET	VORRATSGEBER	1	
8	<b>00 0687 607 0</b>	DRAIN SCREW	M33X2	1	7)
9	<b>00 0217 459 1</b>	O-RING	27X4,0 -N	1	8)
9	<b>00 0215 958 1</b>	FLAT SEAL RING	30X40X3	1	9)
11	<b>00 0794 414 1</b>	CONNECTION	MIT W.ABLAS ; KUGELH. ;	1	10)
12	<b>00 0783 643 1</b>	PLUG	WASSER + G3/8"	1	10)
13	<b>00 0687 625 1</b>	HEXAGON HEAD BOLT	M8X17 F. TANK	1	10)
14	<b>00 0783 652 0</b>	BALL-TYPE TAP	WASSERABLA DN8-I-G3/8XA-G3/8	1	10)
15	<b>00 0783 644 1</b>	ADAPTOR	G3/8"- 1/2" SAE J 2044	1	10)
16	<b>00 0216 366 0</b>	O-RING	10,50X1,5 NBR80	1	10)
17	<b>00 0783 658 0</b>	ANTI-ROTAT. LOCK	FUER 3/8" KUGELHAHN	1	11)
18	<b>00 0038 915 0</b>	SOCKET	SV 80 B/40	1	
19	<b>00 0217 460 0</b>	O-RING	18,64X3,53 -N	1	
20	<b>00 0783 648 2</b>	BLIND PLUG		1	12)
20	<b>00 0794 998 1</b>	SUCTION TUBE	800 LTR	1	13)
21	<b>00 0217 460 0</b>	O-RING	18,64X3,53 -N	1	14)
21	<b>00 0211 091 2</b>	O-RING	12 X 2 NBR 80	1	2)
22	<b>00 0217 460 0</b>	O-RING	18,64X3,53 -N	1	
23	<b>00 0217 501 0</b>	CONNECTOR	NQS 1/2" - 6 X 90 GRAD	1	1)
24	<b>00 0136 529 0</b>	PVC-HOSE	4+0,1X6X10000	1	15)
25	<b>00 0211 701 0</b>	O-RING	91,67X3,53-N	1	
26	<b>00 0783 648 2</b>	BLIND PLUG		2	1)
27	<b>00 0794 995 0</b>	BREATHER VALVE		1	2)

<b>1)</b>	<b>machine no.</b>	+ from 57801146
<b>2)</b>	<b>machine no.</b>	+ from 57800011 up to 57801145
<b>3)</b>	<b>Remarks</b>	Ventilation
<b>4)</b>	<b>Remarks</b>	LOCKING
<b>5)</b>	<b>machine no. CCN</b>	+ from 57801146
	CCN-B043	fuel level sensor
<b>6)</b>	<b>machine no. CCN</b>	+ from 57800689 up to 57801145
	CCN-B043	fuel level sensor
<b>7)</b>	<b>Remarks</b>	Up To No. 57600451 Up To No. 57800688

**FUEL TANK**

<b>8) machine no.</b>	+ from 57800955 up to 57899999
<b>9) machine no.</b>	57800011
<b>10) Remarks</b>	From No. 57600452 From No. 57800689
<b>11) machine no.</b>	+ from 57800955
<b>12) machine no.</b>	+ from 57800812
<b>13) machine no.</b>	+ from 57600011 up to 57600451 + from 57800011 up to 57800688
<b>14) machine no.</b>	+ from 57801146 up to 57899999
<b>15) Remarks</b>	2800mm long

964



18400z03  
LEXION 585R - 560R

**LEXION**<sup>®</sup>

136902/02

**CAT ENGINE ; FUEL SYSTEM, FUEL COOLER 1)**

Pos.	Part No.	Description	Dimension	Quantity	Conditions
1	<b>00 0796 220 1</b>	CONNECTION	SWE90-L15-12	1	2)
1	<b>00 0796 209 1</b>	CONNECTION	(N90-M22X1, SWE-10X12	1	3)
2	<b>00 0238 269 0</b>	2-EAR-CLAMP	15-18	1	2)
3	<b>00 0363 204 1</b>	FUEL FILTER		1	
4	<b>00 0242 442 0</b>	HEXAGON HEAD BOLT	M 6X30	2	
4	<b>00 0239 386 0</b>	CONTACT WASHER	A 6	2	
4	<b>00 0236 169 0</b>	HEXAGONAL NUT	M6	2	
5	<b>00 0715 242 0</b>	CLAMP	A 15	2	
6	<b>00 0656 255 0</b>	COUNTER PLATE	25X3X46	2	4)
7	<b>00 0798 303 1</b>	ENGINE OIL FILTER		1	2)
7	<b>00 0363 203 0</b>	OIL FILTER		1	3)
8	<b>00 0798 284 1</b>	FUEL PIPE		1	5)
8	<b>00 0796 198 1</b>	FUEL PIPE	LG 2700 MM	1	6)
8	<b>00 0743 958 0</b>	FUEL PIPE	FILTER-MOTOR LG 2410 MM	1	7)
8	<b>00 0796 197 0</b>	FUEL PIPE	LG 3500 MM	1	8)
9	<b>00 0096 030 0</b>	HOLLOW SCREW	12 - M16X1,5 (12-3 ZULÄS	1	
10	<b>00 0216 465 0</b>	SEALING RING	D 16X22	4	
12	<b>00 0715 241 0</b>	DOUBLE CLAMP	B 15	3	
13	<b>00 0235 505 0</b>	HEXAGON HEAD BOLT	M06X30	3	
13	<b>00 0239 386 0</b>	CONTACT WASHER	A 6	3	
13	<b>00 0236 169 0</b>	HEXAGONAL NUT	M6	3	
14	<b>00 0096 030 0</b>	HOLLOW SCREW	12 - M16X1,5 (12-3 ZULÄS	1	
16	<b>00 0249 836 0</b>	ANGULAR MALE CONNECTOR	SWOE-L15	1	9)
16	<b>00 0238 354 0</b>	ANGLE UNION	SWE-L15 ERS. D. 0249836.	1	10)
17	<b>00 0216 465 0</b>	SEALING RING	D 16X22	2	
18	<b>00 0216 458 0</b>	CONNECTION	R16-12	1	
19	<b>00 0237 442 0</b>	HEXAGON HEAD BOLT	M8X25	2	
19	<b>00 0239 393 1</b>	CONTACT WASHER	B 8 -8.2X22X1,9	2	
19	<b>00 0236 170 0</b>	HEXAGONAL NUT	M8	2	
20	<b>00 0796 211 0</b>	FUEL FILTER		1	11)
21	<b>00 0743 682 0</b>	FUEL PIPE	KPL	1	12)
22	<b>00 0761 583 1</b>	LIMITATION VALVE	M16X1,5	1	
23	<b>00 0360 431 1</b>	FUEL PUMP		1	3)

**1) Equipment**

<b>machine no.</b>	MD_P02_0630 MD_P02_0650 MD_P02_0660	C13 K EWG313kW/ECE290kW Without air compressor CAT C9 engine (EWG258kW/ECE243kW) CAT C9 engine (EWG230kW/ECE217kW) + from 57800011 up to 57800811 P 02/600, 630, 650
--------------------	-------------------------------------------	----------------------------------------------------------------------------------------------------------------------------------------------------------------------------------

**2) Remarks**

With Engine C13/C12

**3) Remarks**

With Engine C9

**4) Remarks**

With Engine C12

**5) Remarks**With C13, 2456mm Long  
From No. 57600140**6) Remarks**With C13, 2766mm Long  
Up To No. 57600139**7) Remarks**

With C12, 2480mm Long

**8) Remarks**

With C9, 3500mm Long

**CAT ENGINE ; FUEL SYSTEM, FUEL COOLER 1)**

---

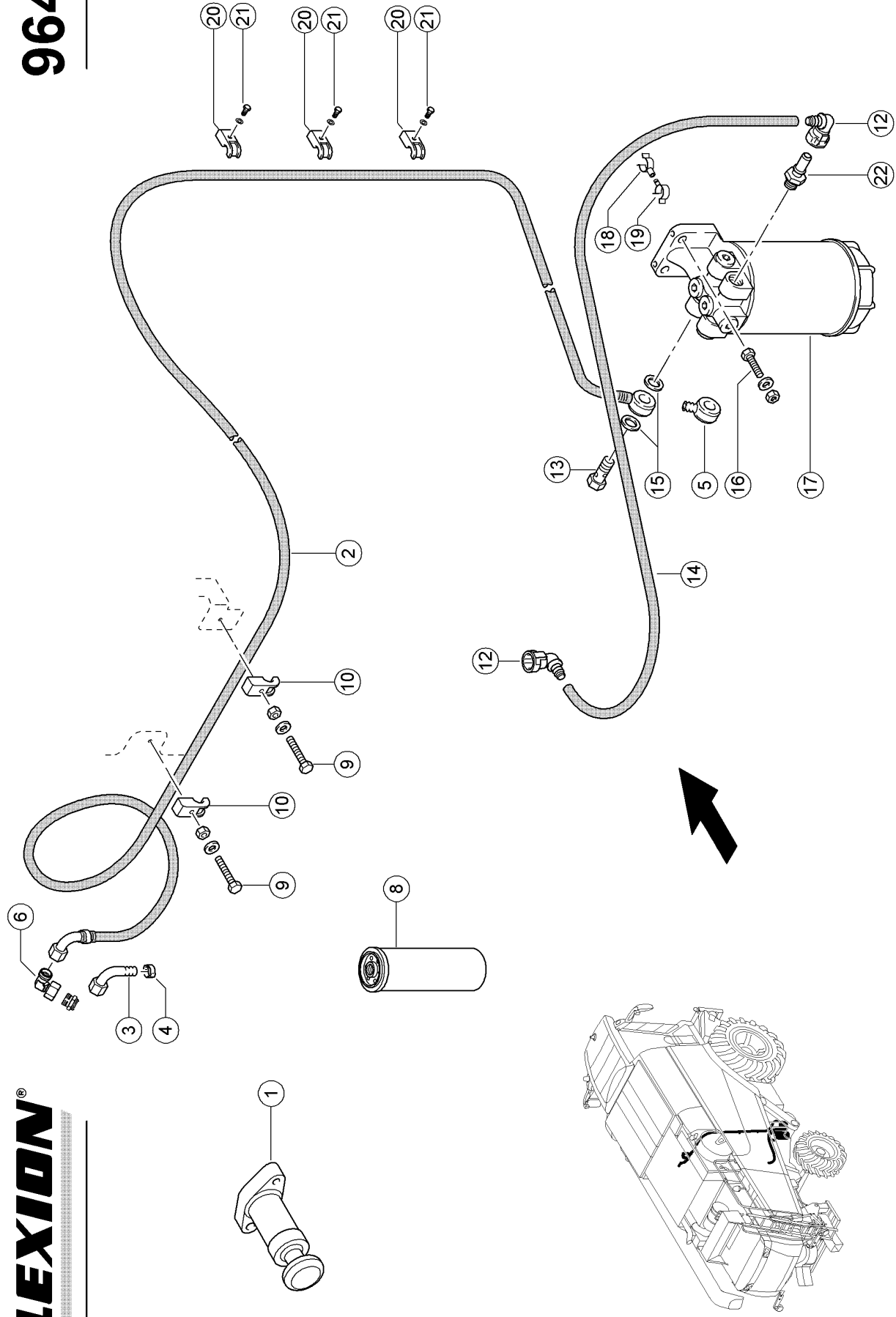
<b>9) Remarks</b>	Engine C13 From No. 57600409 From No. 57800511
<b>10) Remarks</b>	Up To No. 57600408 Up To No. 57800510
<b>11) Remarks</b>	See Illustration 966
<b>12) Remarks</b>	1900 mm long

---

# 964A

# LEXION®

LEXION 585-560 R



19108z01  
LEXION 585R - 560R

138698

Thank you so much for reading.  
Please click the “Buy Now!”  
button below to download the  
complete manual.



After you pay.

You can download the most  
perfect and complete manual in  
the world immediately.

Our support email:

[ebooklibonline@outlook.com](mailto:ebooklibonline@outlook.com)