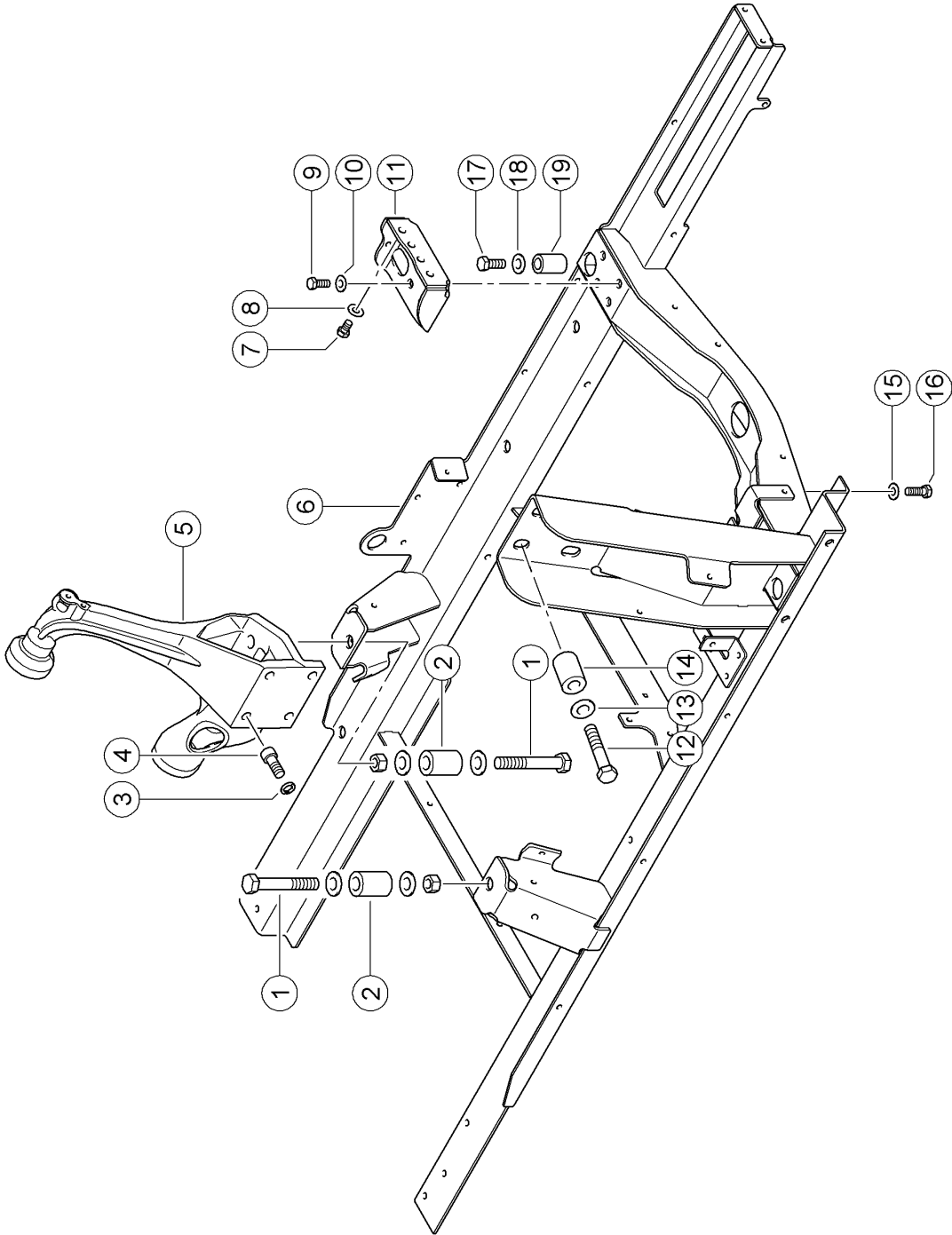


**010 COMPLETE ENGINE**

Pos.	Part No.	Description	Dimension	Quantity	Conditions
1	<b>00 0799 646 0</b>	ENGINE	C9, TIER 3, 2100RPM	1	1)
1	<b>00 0799 869 0</b>	ENGINE	C9 232KW SE	1	2)
1	<b>00 0799 868 0</b>	ENGINE	C9 232KW SE	1	3)
1	<b>00 0780 567 0</b>	ENGINE	C9 232KW EU FLEX	1	4)
1	<b>00 0799 647 0</b>	ENGINE	C9, TIER 3, 2100RPM	1	5)
1	<b>00 0780 568 0</b>	ENGINE	C9 232KW EU FLEX	1	6)
1	<b>00 0799 882 0</b>	ENGINE	C9 232KW, 2100RPM, LRC	1	7)
1	<b>00 0799 883 0</b>	ENGINE	C9 232KW, 2100RPM, LRC	1	8)

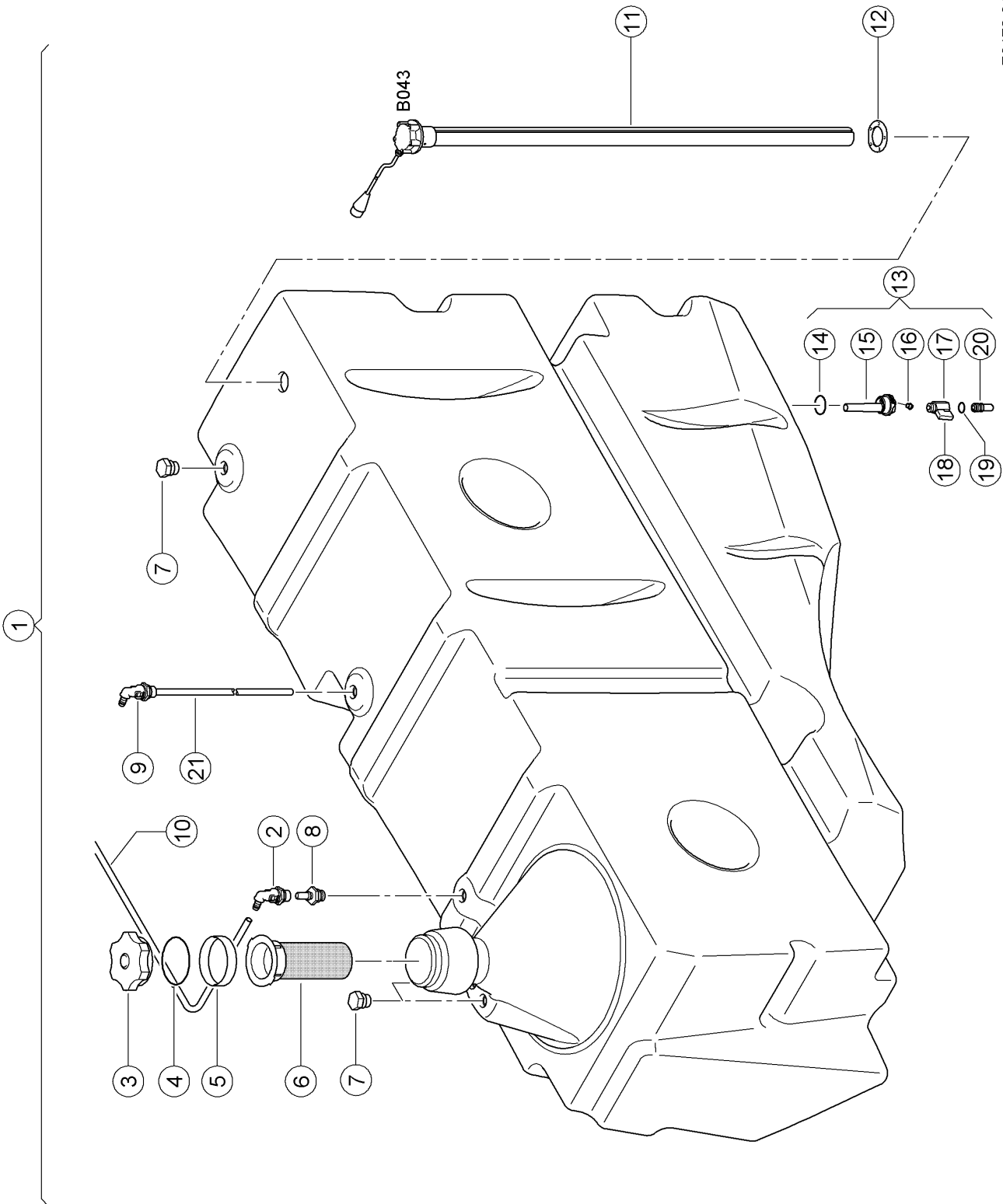
<b>1)</b>	<b>Equipment</b>				
	<b>machine no.</b>	MD_P02_0660 MD_P02_1660	CAT C9 engine (EWG230kW/ECE217kW) 1660_C9 EWG230kW/ECE217kW + up to C5200015		
<b>2)</b>	<b>Equipment</b>				
	<b>machine no.</b>	MD_P02_0661	CAT C9 engine (EWG230kW/ECE217kW) with air compressor system + from C5200019 up to C5200140		
<b>3)</b>	<b>Equipment</b>				
	<b>machine no.</b>	MD_P02_0660	CAT C9 engine (EWG230kW/ECE217kW) + from C5200016 up to C5200117		
<b>4)</b>	<b>Equipment</b>				
	<b>machine no.</b>	MD_P02_0660	CAT C9 engine (EWG230kW/ECE217kW) + from C5200118		
<b>5)</b>	<b>Equipment</b>				
	<b>machine no.</b>	MD_P02_0661 MD_P02_1661	CAT C9 engine (EWG230kW/ECE217kW) with air compressor system 1661_C9 K EWG230kW/ECE217kW + up to C5200018		
<b>6)</b>	<b>Equipment</b>				
	<b>machine no.</b>	MD_P02_0661	CAT C9 engine (EWG230kW/ECE217kW) with air compressor system + from C5200141		
<b>7)</b>	<b>Equipment</b>				
	<b>machine no.</b>	MD_P02_1660	1660_C9 EWG230kW/ECE217kW + from C5200016		
<b>8)</b>	<b>Equipment</b>				
	<b>machine no.</b>	MD_P02_1661	1661_C9 K EWG230kW/ECE217kW + from C5200019		



**100 ENGINE SUSPENSION**

<b>Pos.</b>	<b>Part No.</b>	<b>Description</b>	<b>Dimension</b>	<b>Quantity</b>	<b>Conditions</b>
1	<b>00 0211 186 0</b>	HEXAGON HEAD BOLT	M20X130	2	
1	<b>00 0212 191 0</b>	CONTACT WASHER	A20	4	
1	<b>00 0237 521 0</b>	HEX.NUT	M20	2	
2	<b>00 0796 231 0</b>	BUSHING	D42D20.5X62	2	
3	<b>00 0215 291 1</b>	WASHER	16 -16,2X24,6X3,5	4	
4	<b>00 0214 367 0</b>	SOCKET HEAD SCREW	M16X 40	4	
5	<b>00 0796 942 1</b>	ENGINE SUPPORT		1	
6	<b>00 0799 399 3</b>	ENGINE MOUNTING	C9.3 T4I SCHMAL	1	
7	<b>00 0237 458 0</b>	HEXAGON HEAD BOLT	M12X20	4	
8	<b>00 0239 389 0</b>	CONTACT WASHER	A12	4	
9	<b>00 0237 461 0</b>	HEXAGON HEAD BOLT	M12X30	4	
10	<b>00 0239 389 0</b>	CONTACT WASHER	A12	4	
11	<b>00 0799 297 0</b>	SUPPORT	6X171,6X271,6	1	
12	<b>00 0215 631 0</b>	HEXAGON HEAD BOLT	3/4-10UNC-2AX4 1/2	4	
13	<b>00 0212 191 0</b>	CONTACT WASHER	A20	4	
14	<b>00 0796 231 0</b>	BUSHING	D42D20.5X62	4	
15	<b>00 0239 389 0</b>	CONTACT WASHER	A12	1	
16	<b>00 0211 465 0</b>	HEX.HEAD BOLT	1/2-13UNC-2AX1 1/2	1	
17	<b>00 0236 230 0</b>	HEXAGON HEAD BOLT	M16X35	6	
17	<b>00 0239 415 0</b>	HEXAGON HEAD BOLT	M16X85	2	
18	<b>00 0239 391 0</b>	CONTACT WASHER	A16	8	
19	<b>00 0796 273 0</b>	BUSHING	D32/D18X50	2	

E0172 0125A100A 1

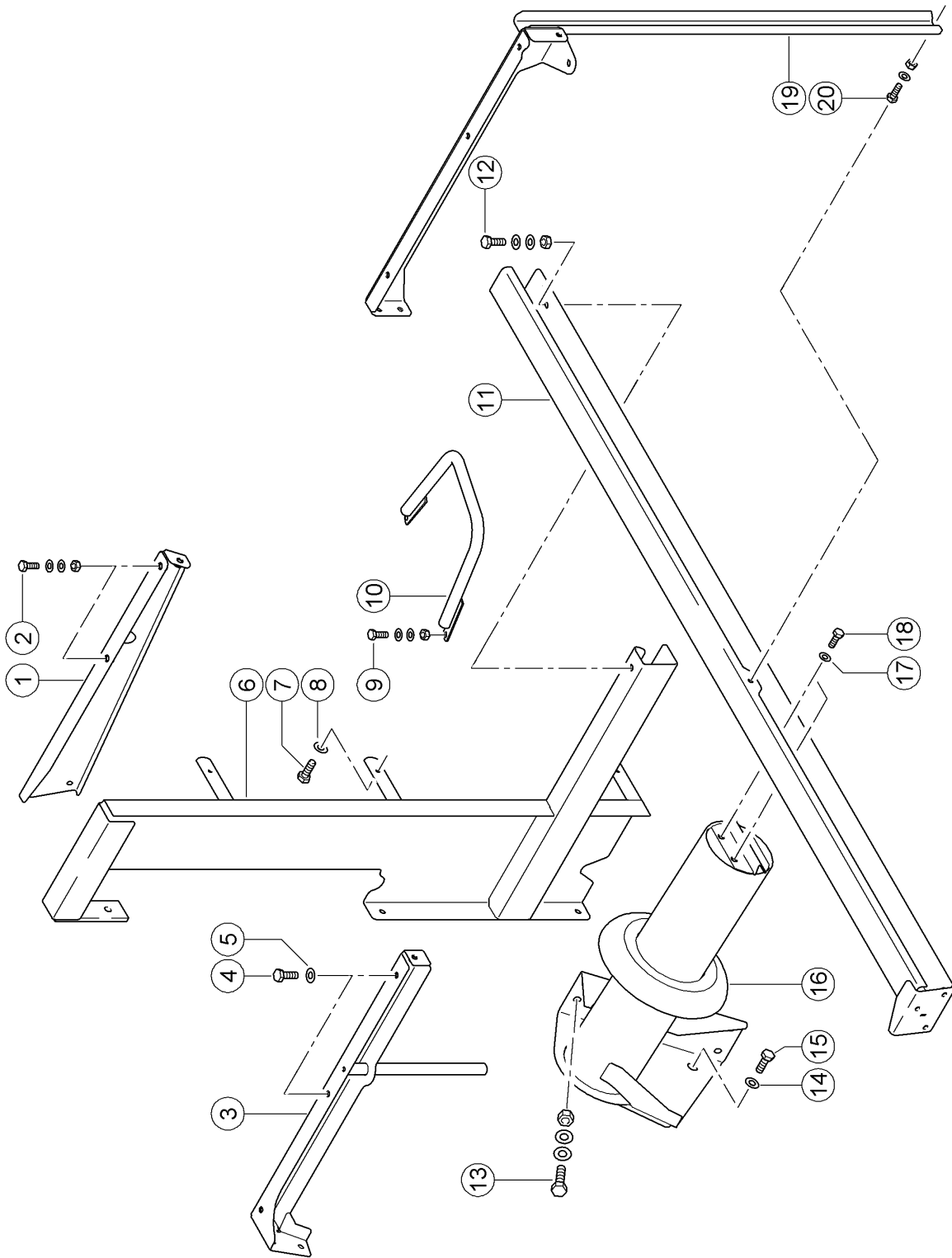


**100 FUEL TANK**

Pos.	Part No.	Description	Dimension	Quantity	Conditions
1	<b>00 0506 712 0</b>	FUEL TANK	600LTR OHNE Z-TANK	1	1)
2	<b>00 0217 501 0</b>	CONNECTOR	NQS 1/2" - 6 X 90	1	
3	<b>00 0217 508 0</b>	CAP	GRAD DV 80 GL OHNE	1	
3	<b>00 0177 621 0</b>	CAP	LÜFTUNG D80 BELUEFTET,	1	2)
4	<b>00 0211 701 0</b>	O-RING	ABSCHLIES 91,67X3,53-N	1	
5	<b>00 0038 915 0</b>	SOCKET	SV 80 B/40	1	
6	<b>00 0736 238 0</b>	TANK FILTER		1	
7	<b>00 0783 648 2</b>	BLIND PLUG		3	
8	<b>00 0794 417 2</b>	VENTILATION		1	
9	<b>00 0783 649 1</b>	ADAPTER		1	
9	<b>00 0217 460 0</b>	O-RING	18,64X3,53 -N	1	
10	<b>00 0202 240 0</b>	HOSE	A 6X10	1	3)
10	<b>00 0217 507 0</b>	PIPE BRACKET	NW 7,5	4	
11	<b>00 0016 597 1</b>	LEVEL INDICATOR	1065MM / 99MM	1	4)
12	<b>00 0794 993 0</b>	GASKET	VORRATSGEBER	1	
13	<b>00 0794 414 1</b>	CONNECTION	MIT W.ABLAS ; KUGELH. ;	1	5)
14	<b>00 0217 459 1</b>	O-RING	27X4,0 -N	1	
15	<b>00 0783 643 1</b>	PLUG	WASSER + G3/8"	1	
16	<b>00 0687 625 1</b>	HEXAGON HEAD BOLT	M8X17 F. TANK	1	
17	<b>00 0783 652 0</b>	BALL-TYPE TAP	WASSERABLA DN8-I-G3/8XA-G3/8	1	
18	<b>00 0783 658 0</b>	ANTI-ROTAT. LOCK	FUER 3/8"	1	
19	<b>00 0216 366 0</b>	O-RING	KUGELHAHN 10,50X1,5 NBR80	1	
20	<b>00 0783 644 1</b>	ADAPTOR	G3/8"- 1/2" SAE J 20441	1	
21	<b>00 0136 559 0</b>	TUBE	12,5X1,25X10000	1	6)

<b>1)</b>	<b>Remarks</b>	with Item 3 - 9, 11, 12
<b>2)</b>	<b>Remarks</b>	LOCKING
<b>3)</b>	<b>Remarks</b>	2800 long
<b>4)</b>	<b>CCN</b>	CCN-B043 fuel level sensor
<b>5)</b>	<b>Remarks</b>	with item 14 - 20
<b>6)</b>	<b>Remarks</b>	1020 long

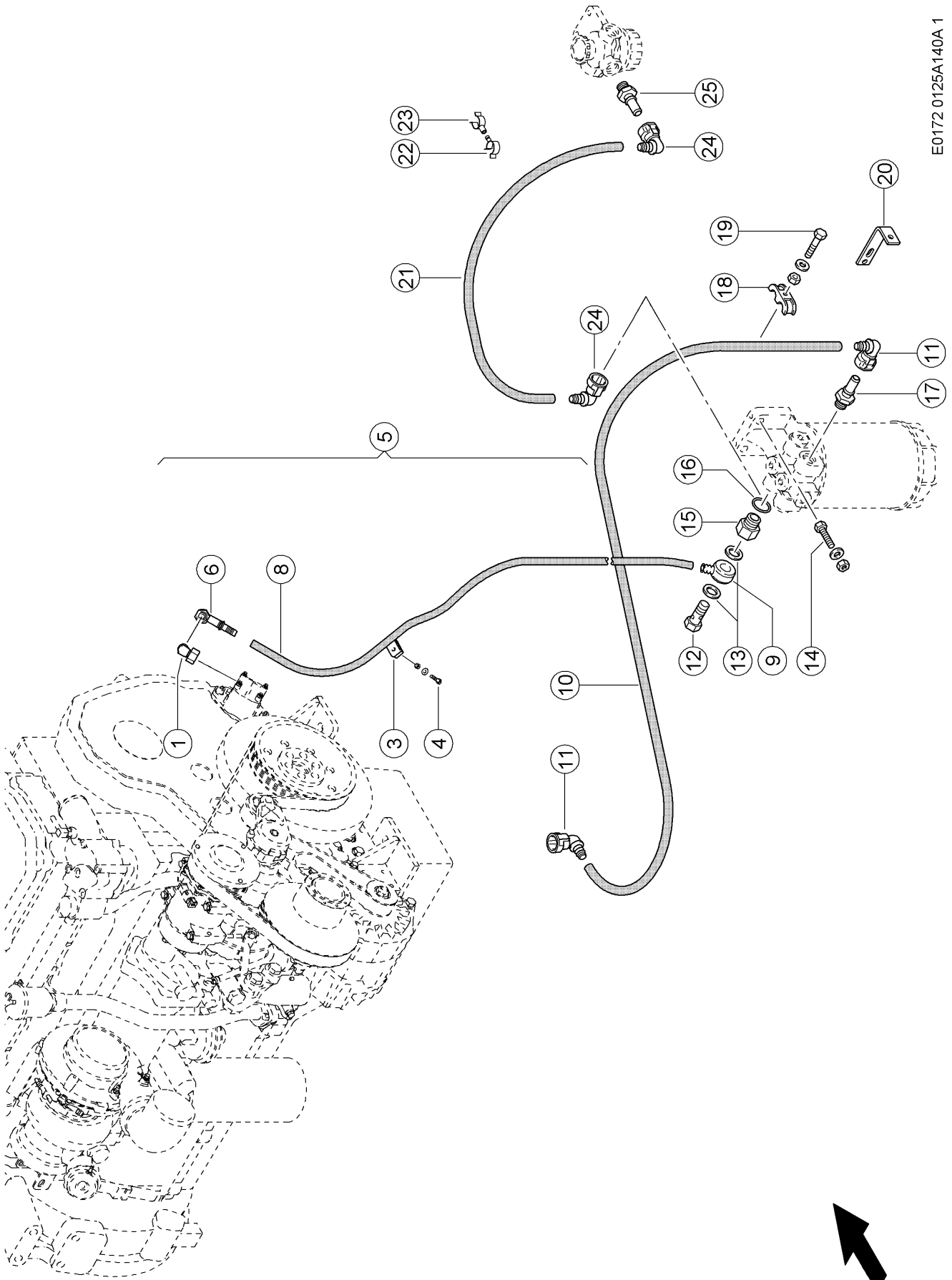
E0172 0125A100A 2



**100 FUEL TANK**

Pos.	Part No.	Description	Dimension	Quantity	Conditions
1	<b>00 0794 841 4</b>	FASTENER	1400	1	
2	<b>00 0237 370 0</b>	HEXAGON HEAD BOLT	M8X30	2	
2	<b>00 0239 387 0</b>	CONTACT WASHER	A8-8,2X18X1,4	4	
2	<b>00 0236 170 0</b>	HEXAGONAL NUT	M8	2	
3	<b>00 0794 936 2</b>	SUPPORT	1420 / 600LTR.	1	
4	<b>00 0237 453 0</b>	HEXAGON HEAD BOLT	M10X30	2	
5	<b>00 0239 388 0</b>	CONTACT WASHER	A10-10,2X22,25X1,6	2	
6	<b>00 0794 938 3</b>	SUPPORT	1420	1	
7	<b>00 0237 453 0</b>	HEXAGON HEAD BOLT	M10X30	3	
8	<b>00 0239 388 0</b>	CONTACT WASHER	A10-10,2X22,25X1,6	3	
9	<b>00 0237 453 0</b>	HEXAGON HEAD BOLT	M10X30	2	
9	<b>00 0239 388 0</b>	CONTACT WASHER	A10-10,2X22,25X1,6	4	
9	<b>00 0236 171 0</b>	HEXAGONAL NUT	M10	2	
10	<b>00 0782 676 0</b>	REINFORCING PLATE		1	
11	<b>00 0794 855 1</b>	SUPPORT		1	
12	<b>00 0237 453 0</b>	HEXAGON HEAD BOLT	M10X30	1	
12	<b>00 0239 388 0</b>	CONTACT WASHER	A10-10,2X22,25X1,6	2	
12	<b>00 0236 171 0</b>	HEXAGONAL NUT	M10	1	
13	<b>00 0237 461 0</b>	HEXAGON HEAD BOLT	M12X30	4	
13	<b>00 0239 389 0</b>	CONTACT WASHER	A12	8	
13	<b>00 0236 172 0</b>	HEXAGONAL NUT	M12	4	
14	<b>00 0239 388 0</b>	CONTACT WASHER	A10-10,2X22,25X1,6	1	
15	<b>00 0237 453 0</b>	HEXAGON HEAD BOLT	M10X30	1	
16	<b>00 0794 935 2</b>	MAIN FRAME	1420	1	
17	<b>00 0239 387 0</b>	CONTACT WASHER	A8-8,2X18X1,4	2	
18	<b>00 0237 439 0</b>	HEXAGON HEAD BOLT	M8X16	2	
19	<b>00 0794 937 2</b>	SUPPORT	1420	1	
20	<b>00 0237 439 0</b>	HEXAGON HEAD BOLT	M8X16	3	
20	<b>00 0239 387 0</b>	CONTACT WASHER	A8-8,2X18X1,4	4	
20	<b>00 0236 170 0</b>	HEXAGONAL NUT	M8	1	





E0172 0125A140A 1

**140 FUEL PIPES**

Pos.	Part No.	Description	Dimension	Quantity	Conditions
1	<b>00 0249 836 0</b>	ANGULAR MALE CONNECTOR	SWOE-L15	1	
3	<b>00 0715 242 0</b>	CLAMP	A 15	1	
4	<b>00 0242 442 0</b>	HEXAGON HEAD BOLT	M 6X30	1	
4	<b>00 0239 386 0</b>	CONTACT WASHER	A 6	1	
4	<b>00 0236 169 0</b>	HEXAGONAL NUT	M6	1	
5	<b>00 0796 197 0</b>	FUEL PIPE	LG 3500 MM	1	1)
5	<b>00 0798 824 0</b>	FUEL PIPE	FILTER-MOTOR	1	2)
6	<b>00 0796 209 1</b>	CONNECTION	SWE-10X12	1	
8	<b>00 0136 591 0</b>	PLASTIC TUBE	15 X1,5X10000	1	3)
8	<b>00 0136 591 0</b>	PLASTIC TUBE	15 X1,5X10000	1	4)
9	<b>00 0216 458 0</b>	CONNECTION	R16-12	1	
10	<b>00 0799 121 1</b>	FUEL PIPE	TANK-FILTER	1	5)
11	<b>00 0798 863 0</b>	CONNECTOR	NORMAQUICK S NW	2	
12	<b>00 0096 030 0</b>	HOLLOW SCREW	1/2"-10- 12 - M16X1,5 (12-3 ZULÄS	1	
13	<b>00 0216 465 0</b>	SEALING RING	D 16X22	2	
14	<b>00 0237 442 0</b>	HEXAGON HEAD BOLT	M8X25	2	
14	<b>00 0239 393 1</b>	CONTACT WASHER	B 8 -8.2X22X1,9	2	
14	<b>00 0236 170 0</b>	HEXAGONAL NUT	M8	2	
15	<b>00 0545 906 0</b>	SCREW UNION	M22X1.5/M16X1.5	1	
16	<b>00 0238 451 0</b>	O-RING	19,3 X2,4 -N	1	
17	<b>00 0798 652 1</b>	ADAPTER	DN 12 - F-M22X1,5	2	
17	<b>00 0798 664 0</b>	ADAPTER	M16X1,5 / 1/2" SAE J 204	2	
18	<b>00 0715 242 0</b>	CLAMP	A 15	3	
18	<b>00 0216 117 0</b>	CLAMP	A 10	1	
19	<b>00 0235 505 0</b>	HEXAGON HEAD BOLT	M06X30	3	
19	<b>00 0239 386 0</b>	CONTACT WASHER	A 6	5	
19	<b>00 0236 169 0</b>	HEXAGONAL NUT	M6	5	
20	<b>00 0713 845 1</b>	SUPPORT ANGLE	25X5X130	1	
21	<b>00 0799 127 0</b>	FUEL PIPE	FILTER-PUMPE	1	6)
22	<b>00 0796 374 0</b>	PIPE BRACKET	D 11	1	
23	<b>00 0796 375 0</b>	PIPE BRACKET	D 11	1	
24	<b>00 0798 863 0</b>	CONNECTOR	NORMAQUICK S NW	2	
25	<b>00 0798 664 0</b>	ADAPTER	1/2"-10- M16X1,5 / 1/2" SAE J 204	1	

**1) Remarks** with Item 6 - 9

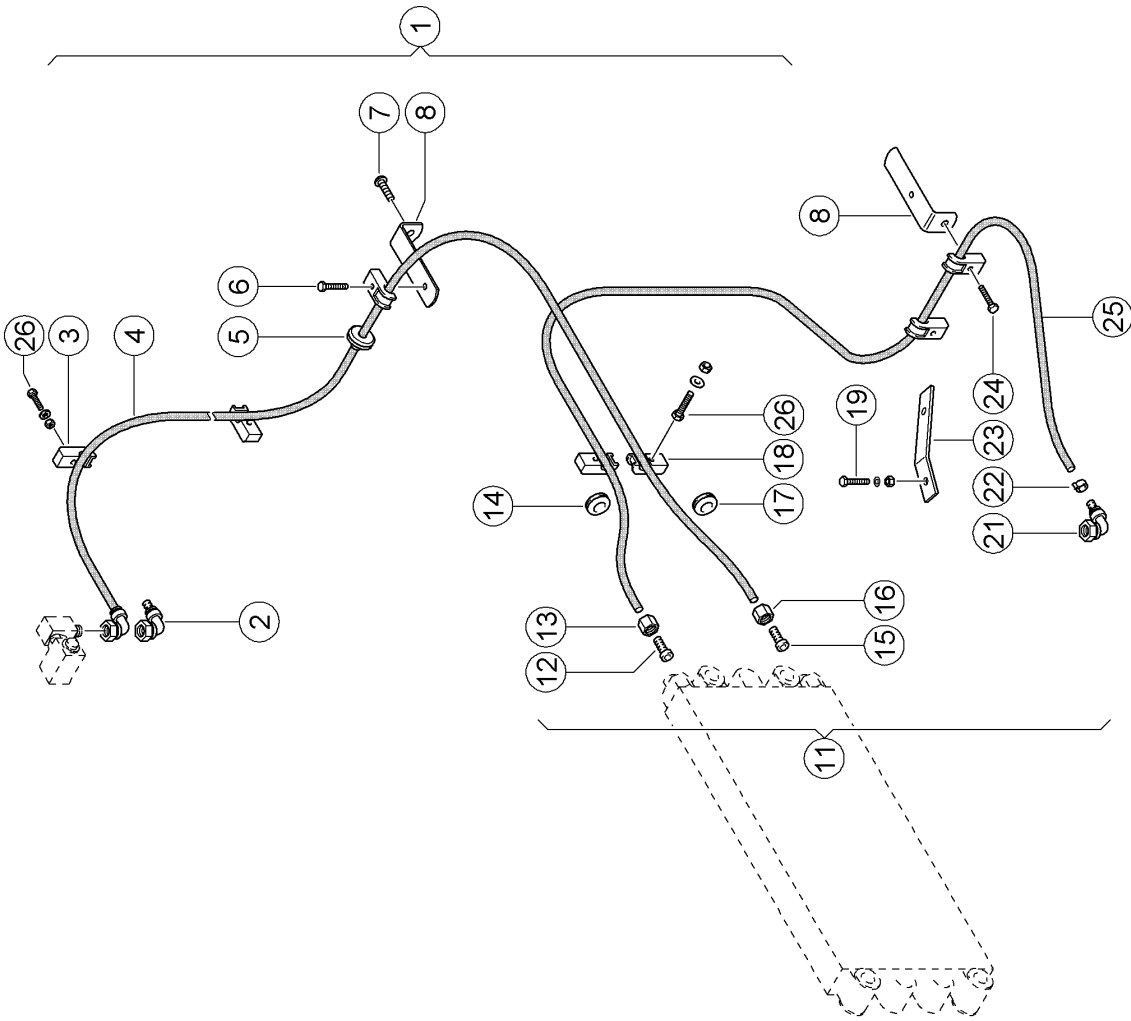
**2) Remarks** with Item 1, 8, 9

**3) Remarks** 3500 long

**4) Remarks** 3110 long

**5) Remarks** with Item 11

**6) Remarks** with Item 24

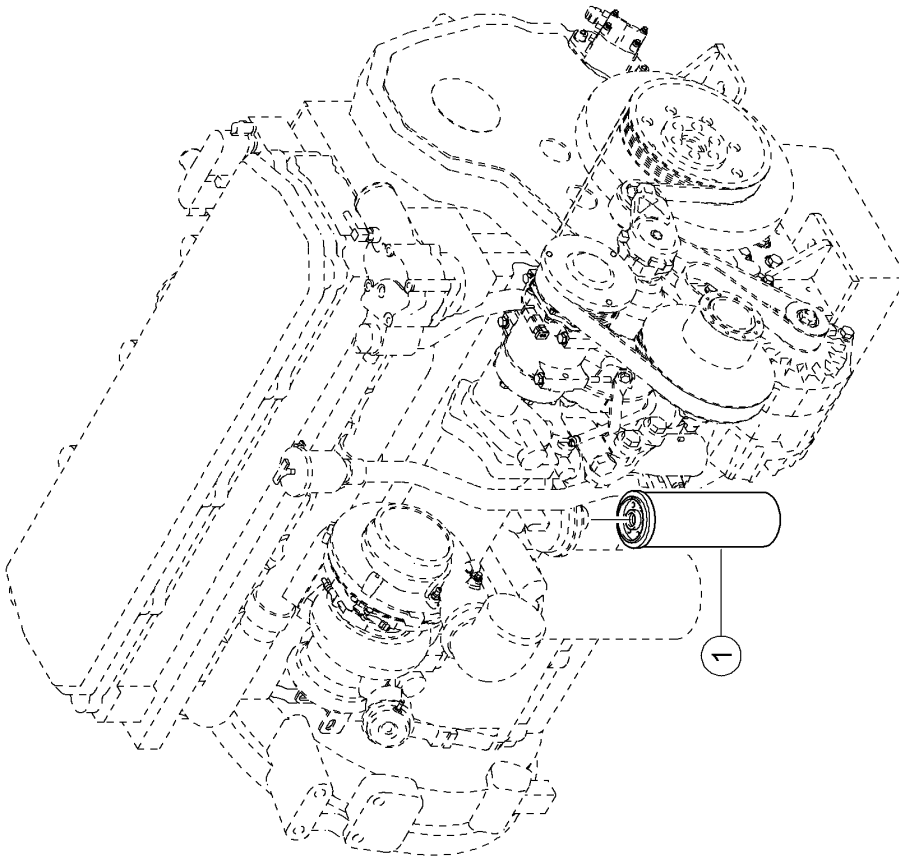
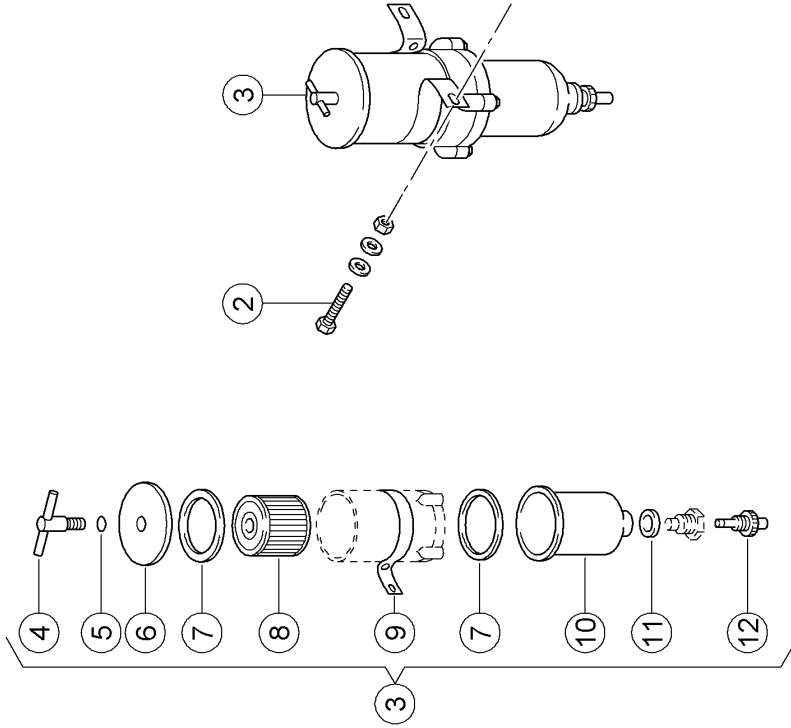


**140 FUEL PIPES**

Pos.	Part No.	Description	Dimension	Quantity	Conditions
1	<b>00 0799 908 2</b>	FUEL PIPE	KUEHLER-TANK LG 2400 MM	1	1)
2	<b>00 0798 863 0</b>	CONNECTOR	NORMAQUICK S NW 1/2"-10-	1	
3	<b>00 0216 117 0</b>	CLAMP	A 10	2	
4	<b>00 0136 559 0</b>	TUBE	12,5X1,25X10000	1	2)
5	<b>00 0735 998 0</b>	GROMMET	C 6-12X24X1,5	1	
6	<b>00 0238 094 0</b>	HEXAGON HEAD BOLT	M06X25	2	
7	<b>00 0235 341 0</b>	COACH BOLT	M 6X30	2	
8	<b>00 0659 359 1</b>	SCREW-ON ANGLE	20X3X79	2	
11	<b>00 0798 235 1</b>	FUEL PIPE	LG 1086 MM	1	3)
11	<b>00 0798 224 1</b>	FUEL PIPE	MOTOR-KUEHLER	1	3)
12	<b>00 0239 304 0</b>	CONNECTION	D16X1,5-8	1	
13	<b>00 0216 006 0</b>	UNION NUT	BLL10	1	
14	<b>00 0735 998 0</b>	GROMMET	C 6-12X24X1,5	1	
15	<b>00 0215 167 0</b>	CONNECTION	D16X1,5-10	1	
16	<b>00 0216 006 0</b>	UNION NUT	BLL10	1	
17	<b>00 0238 250 0</b>	GROMMET	A 24X30X3,5	1	
18	<b>00 0216 117 0</b>	CLAMP	A 10	3	
18	<b>00 0798 856 0</b>	CLAMP	A 12	3	
19	<b>00 0242 442 0</b>	HEXAGON HEAD BOLT	M 6X30	1	
19	<b>00 0239 386 0</b>	CONTACT WASHER	A 6	1	
19	<b>00 0236 169 0</b>	HEXAGONAL NUT	M6	1	
21	<b>00 0353 723 1</b>	CONNECTION	90°-11/16-16UN-2B	1	
21	<b>00 0798 226 0</b>	CONNECTION	NW 3/8"-5/16", 0°	1	
22	<b>00 0408 544 1</b>	CLAMP	10,8-13,3 STEPLESS	1	
23	<b>00 0726 276 0</b>	SUPPORT	25X4X149	1	4)
24	<b>00 0242 442 0</b>	HEXAGON HEAD BOLT	M 6X30	5	
24	<b>00 0233 259 0</b>	HEXAGON HEAD BOLT	M08X20-MKL	1	
25	<b>00 0136 533 0</b>	TUBE	11X1,5X10000	1	5)
25	<b>00 0136 533 0</b>	TUBE	11X1,5X10000	1	6)
26	<b>00 0242 442 0</b>	HEXAGON HEAD BOLT	M 6X30	3	
26	<b>00 0235 340 0</b>	COACH BOLT	M 6X25	2	
26	<b>00 0239 386 0</b>	CONTACT WASHER	A 6	5	
26	<b>00 0236 169 0</b>	HEXAGONAL NUT	M6	5	

<b>1) Remarks</b>	with Item 2,4,5,15 - 17
<b>2) Remarks</b>	2400 long
<b>3) Remarks</b>	with Item 12 - 14, 21, 22, 25
<b>4) machine no.</b>	+ up to C5200069
<b>5) Remarks</b>	1090 long
<b>6) Remarks</b>	2800 long

E0172 0125A160A 1



**160 FUEL FILTER 1)**

Pos.	Part No.	Description	Dimension	Quantity	Conditions
1	<b>00 0363 204 1</b>	FUEL FILTER		1	
2	<b>00 0237 442 0</b>	HEXAGON HEAD BOLT	M8X25	2	
2	<b>00 0239 393 1</b>	CONTACT WASHER	B 8 -8.2X22X1,9	4	
2	<b>00 0236 170 0</b>	HEXAGONAL NUT	M8	2	
3	<b>00 0796 212 1</b>	SEPARATOR		1	2)
4	<b>00 0796 024 0</b>	WING SCREW		1	
5	<b>00 0211 091 2</b>	O-RING	12 X 2 NBR 80	1	
6	<b>00 0796 023 0</b>	COVER		1	
7	<b>00 0072 995 0</b>	HOUSING GASKET		2	
8	<b>00 0796 214 1</b>	FILTER ELEMENT		1	3)
9	<b>00 0067 328 1</b>	SUPPORT		1	
10	<b>00 0072 996 1</b>	WATER CONTAINER		1	
11	<b>00 0723 694 1</b>	GASKET	RACOR 500/900 FG	1	
12	<b>00 0796 022 0</b>	DRAIN VALVE		1	

**1) Equipment**

MD\_P06\_0010

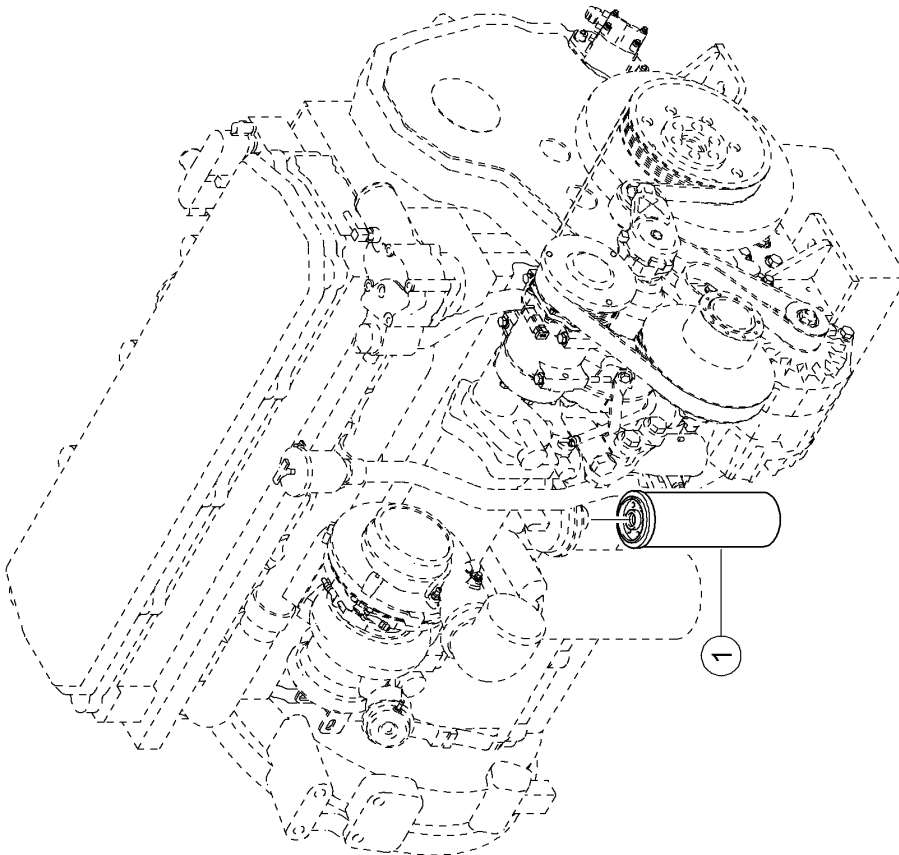
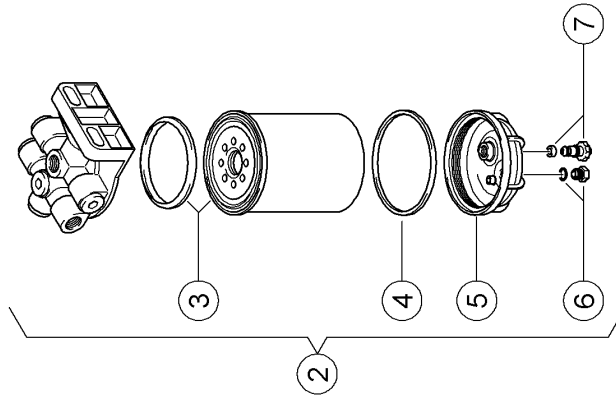
Additional fuel filter

**2) Remarks**

with Item 4 - 12

**3) Remarks**

with Item 5 + 7



Thank you so much for reading.  
Please click the “Buy Now!”  
button below to download the  
complete manual.



After you pay.

You can download the most  
perfect and complete manual in  
the world immediately.

Our support email:

[ebooklibonline@outlook.com](mailto:ebooklibonline@outlook.com)