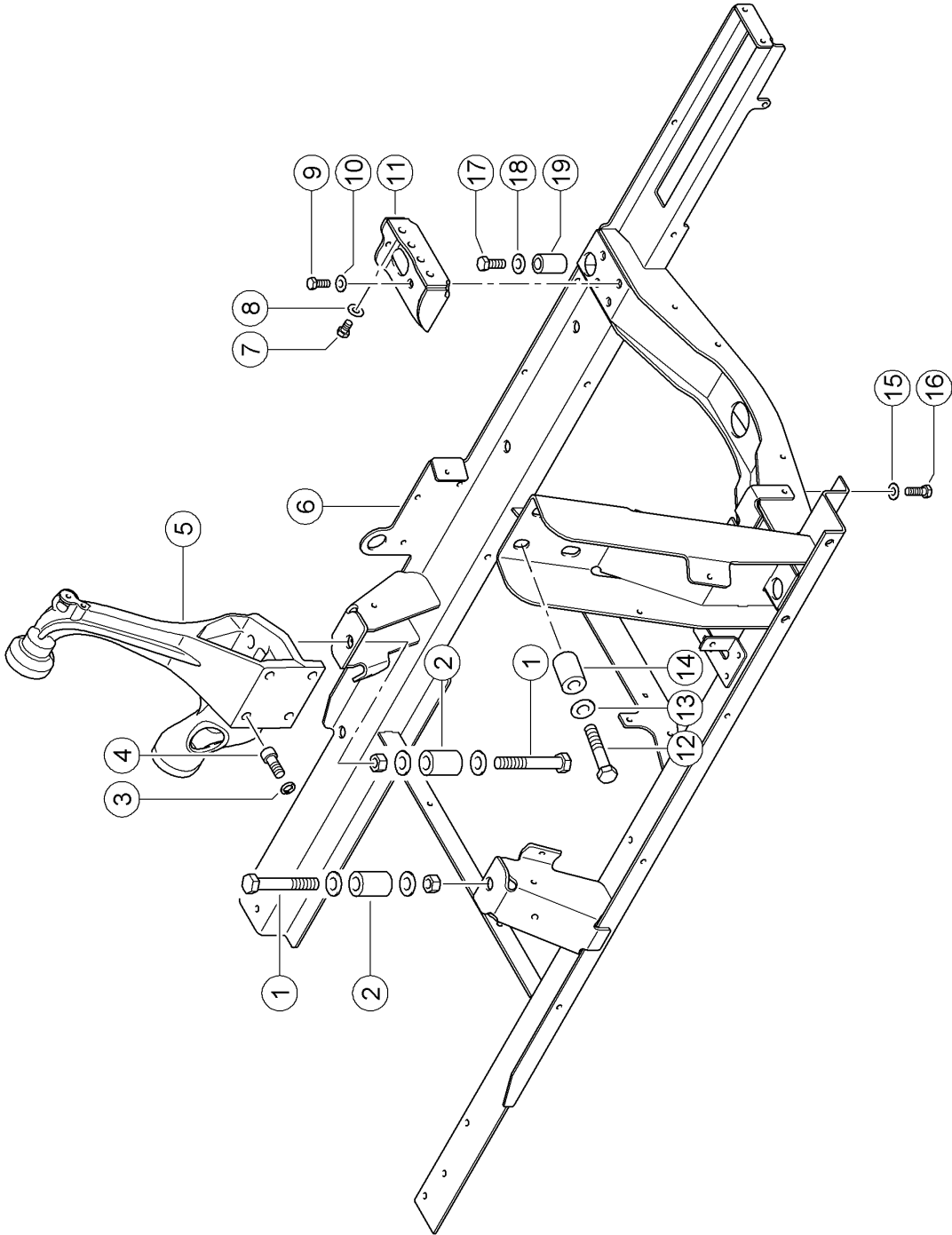


010 COMPLETE ENGINE

| Pos. | Part No. | Description | Dimension | Quantity | Conditions |
|-----------|----------------------|----------------------------|---|----------|------------|
| 1 | 00 0799 646 0 | ENGINE | C9, TIER 3, 2100RPM | 1 | 1) |
| 1 | 00 0799 869 0 | ENGINE | C9 232KW SE | 1 | 2) |
| 1 | 00 0799 868 0 | ENGINE | C9 232KW SE | 1 | 3) |
| 1 | 00 0780 567 0 | ENGINE | C9 232KW EU FLEX | 1 | 4) |
| 1 | 00 0799 647 0 | ENGINE | C9, TIER 3, 2100RPM | 1 | 5) |
| 1 | 00 0780 568 0 | ENGINE | C9 232KW EU FLEX | 1 | 6) |
| 1 | 00 0799 882 0 | ENGINE | C9 232KW, 2100RPM, LRC | 1 | 7) |
| 1 | 00 0799 883 0 | ENGINE | C9 232KW, 2100RPM, LRC | 1 | 8) |
| 1) | Equipment | | | | |
| | machine no. | MD_P02_0660 MD_P02_1660 | CAT C9 engine (EWG230kW/ECE217kW) 1660_C9 EWG230kW/ECE217kW + up to C5300022 | | |
| 2) | Equipment | | | | |
| | machine no. | MD_P02_0661 | CAT C9 engine (EWG230kW/ECE217kW) with air compressor system | | |
| 3) | Equipment | | | | |
| | machine no. | MD_P02_0660 | CAT C9 engine (EWG230kW/ECE217kW) + from C5300040 up to C5300425 | | |
| 4) | Equipment | | | | |
| | machine no. | MD_P02_0660 | CAT C9 engine (EWG230kW/ECE217kW) + from C5300183 | | |
| 5) | Equipment | | | | |
| | machine no. | MD_P02_0661 MD_P02_1661 | CAT C9 engine (EWG230kW/ECE217kW) with air compressor system 1661_C9 K EWG230kW/ECE217kW + from C5300023 up to C5300134 | | |
| 6) | Equipment | | | | |
| | machine no. | MD_P02_0661 | CAT C9 engine (EWG230kW/ECE217kW) with air compressor system + from C5300457 | | |
| 7) | Equipment | | | | |
| | machine no. | MD_P02_1660 | 1660_C9 EWG230kW/ECE217kW + from C5300134 | | |
| 8) | Equipment | | | | |
| | machine no. | MD_P02_1661 | 1661_C9 K EWG230kW/ECE217kW + from C5300135 | | |

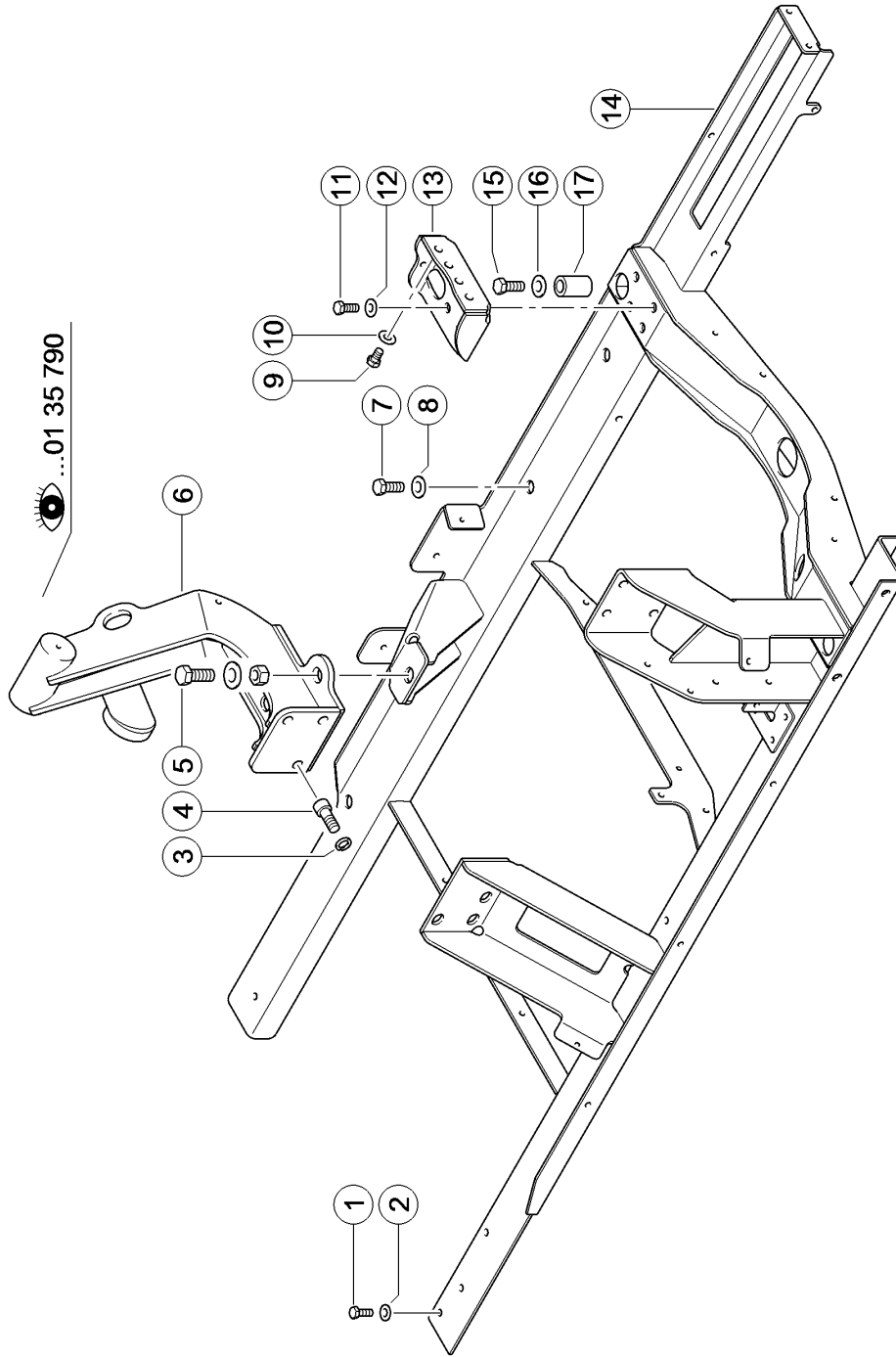


100 ENGINE SUSPENSION 1)

| Pos. | Part No. | Description | Dimension | Quantity | Conditions |
|------|----------------------|-------------------|--------------------|----------|------------|
| 1 | 00 0211 186 0 | HEXAGON HEAD BOLT | M20X130 | 2 | |
| 1 | 00 0212 191 0 | CONTACT WASHER | A20 | 4 | |
| 1 | 00 0237 521 0 | HEX.NUT | M20 | 2 | |
| 2 | 00 0796 231 0 | BUSHING | D42D20.5X62 | 2 | |
| 3 | 00 0215 291 1 | WASHER | 16 -16,2X24,6X3,5 | 4 | |
| 4 | 00 0214 367 0 | SOCKET HEAD SCREW | M16X 40 | 4 | |
| 5 | 00 0796 942 1 | ENGINE SUPPORT | | 1 | |
| 6 | 00 0799 399 3 | ENGINE MOUNTING | C9.3 T4I SCHMAL | 1 | |
| 7 | 00 0237 458 0 | HEXAGON HEAD BOLT | M12X20 | 4 | |
| 8 | 00 0239 389 0 | CONTACT WASHER | A12 | 4 | |
| 9 | 00 0237 461 0 | HEXAGON HEAD BOLT | M12X30 | 4 | |
| 10 | 00 0239 389 0 | CONTACT WASHER | A12 | 4 | |
| 11 | 00 0799 297 0 | SUPPORT | 6X171,6X271,6 | 1 | |
| 12 | 00 0215 631 0 | HEXAGON HEAD BOLT | 3/4-10UNC-2AX4 1/2 | 4 | |
| 13 | 00 0212 191 0 | CONTACT WASHER | A20 | 4 | |
| 14 | 00 0796 231 0 | BUSHING | D42D20.5X62 | 4 | |
| 15 | 00 0239 389 0 | CONTACT WASHER | A12 | 1 | |
| 16 | 00 0211 465 0 | HEX.HEAD BOLT | 1/2-13UNC-2AX1 1/2 | 1 | |
| 17 | 00 0236 230 0 | HEXAGON HEAD BOLT | M16X35 | 6 | |
| 17 | 00 0239 415 0 | HEXAGON HEAD BOLT | M16X85 | 2 | |
| 18 | 00 0239 391 0 | CONTACT WASHER | A16 | 8 | |
| 19 | 00 0796 273 0 | BUSHING | D32/D18X50 | 2 | |

1) Equipment

| | |
|-------------|--|
| MD_P02_0660 | CAT C9 engine (EWG230kW/ECE217kW) |
| MD_P02_0661 | CAT C9 engine (EWG230kW/ECE217kW) with air compressor system |
| MD_P02_1660 | 1660_C9 EWG230kW/ECE217kW |
| MD_P02_1661 | 1661_C9 K EWG230kW/ECE217kW |



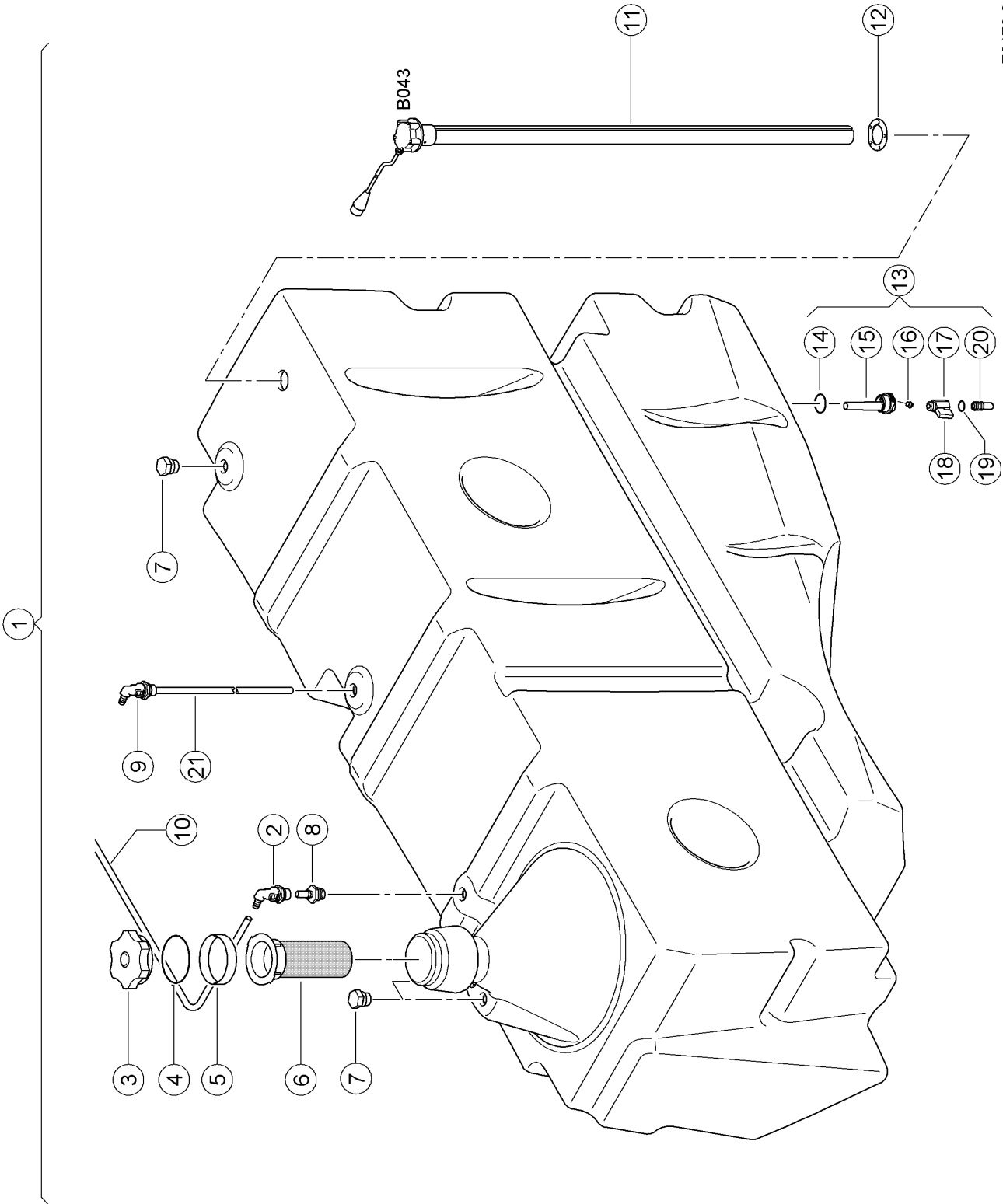
100 ENGINE SUSPENSION 1)

| Pos. | Part No. | Description | Dimension | Quantity | Conditions |
|------|----------------------|-------------------|-------------------|----------|------------|
| 1 | 00 0236 056 0 | HEXAGON HEAD BOLT | M12X25 | 4 | |
| 2 | 00 0239 389 0 | CONTACT WASHER | A12 | 4 | |
| 3 | 00 0215 291 1 | WASHER | 16 -16,2X24,6X3,5 | 3 | |
| 4 | 00 0237 693 0 | SOCKET HEAD SCREW | M16X35 | 3 | |
| 5 | 00 0242 406 0 | HEXAGON HEAD BOLT | M20X40 | 1 | |
| 5 | 00 0212 191 0 | CONTACT WASHER | A20 | 1 | |
| 5 | 00 0237 521 0 | HEX.NUT | M20 | 1 | |
| 6 | 00 0798 193 1 | ENGINE SUPPORT | | 1 | |
| 7 | 00 0237 376 0 | HEXAGON HEAD BOLT | M16X30 | 4 | |
| 8 | 00 0239 391 0 | CONTACT WASHER | A16 | 4 | |
| 9 | 00 0237 458 0 | HEXAGON HEAD BOLT | M12X20 | 4 | |
| 10 | 00 0239 389 0 | CONTACT WASHER | A12 | 4 | |
| 11 | 00 0237 461 0 | HEXAGON HEAD BOLT | M12X30 | 4 | |
| 12 | 00 0239 389 0 | CONTACT WASHER | A12 | 4 | |
| 13 | 00 0799 296 0 | SUPPORT | 6,0X158,3X271,6 | 1 | |
| 14 | 00 0799 403 1 | ENGINE MOUNTING | C6.6 TYP C53 | 1 | |
| 15 | 00 0236 230 0 | HEXAGON HEAD BOLT | M16X35 | 8 | |
| 16 | 00 0239 391 0 | CONTACT WASHER | A16 | 8 | |

1) Equipment

| | |
|-------------|--|
| MD_P02_0670 | CAT C6.6 engine (EWG203kW/ECE191kW) |
| MD_P02_0671 | CAT C6.6 engine (EWG203kW/ECE191kW) with air compressor system |
| MD_P02_1670 | 1670_C6.6 EWG203kW/ECE191kW |
| MD_P02_1671 | 1671_C6.6 K EWG203kW/ECE191kW |

E0173 0125A100A 1



100 FUEL TANK

| Pos. | Part No. | Description | Dimension | Quantity | Conditions |
|------|----------------------|-------------------|---------------------------------|----------|------------|
| 1 | 00 0506 712 0 | FUEL TANK | 600LTR OHNE Z-TANK | 1 | 1) |
| 2 | 00 0217 501 0 | CONNECTOR | NQS 1/2" - 6 X 90 | 1 | |
| 3 | 00 0217 508 0 | CAP | GRAD DV 80 GL OHNE | 1 | |
| 3 | 00 0177 621 0 | CAP | LÜFTUNG D80 BELUEFTET, | 1 | 2) |
| 4 | 00 0211 701 0 | O-RING | ABSCHLIES 91,67X3,53-N | 1 | |
| 5 | 00 0038 915 0 | SOCKET | SV 80 B/40 | 1 | |
| 6 | 00 0736 238 0 | TANK FILTER | | 1 | |
| 7 | 00 0783 648 2 | BLIND PLUG | | 3 | |
| 8 | 00 0794 417 2 | VENTILATION | | 1 | |
| 9 | 00 0783 649 1 | ADAPTER | | 1 | |
| 9 | 00 0217 460 0 | O-RING | 18,64X3,53 -N | 1 | |
| 10 | 00 0202 240 0 | HOSE | A 6X10 | 1 | 3) |
| 10 | 00 0217 507 0 | PIPE BRACKET | NW 7,5 | 4 | |
| 11 | 00 0016 597 1 | LEVEL INDICATOR | 1065MM / 99MM | 1 | 4) |
| 12 | 00 0794 993 0 | GASKET | VORRATSGEBER | 1 | |
| 13 | 00 0794 414 1 | CONNECTION | MIT W.ABLAS ; KUGELH. ; | 1 | 5) |
| 14 | 00 0217 459 1 | O-RING | 27X4,0 -N | 1 | |
| 15 | 00 0783 643 1 | PLUG | WASSER + G3/8" | 1 | |
| 16 | 00 0687 625 1 | HEXAGON HEAD BOLT | M8X17 F. TANK | 1 | |
| 17 | 00 0783 652 0 | BALL-TYPE TAP | WASSERABLA DN8-I-G3/8XA-G3/8 | 1 | |
| 18 | 00 0783 658 0 | ANTI-ROTAT. LOCK | FUER 3/8" | 1 | |
| 19 | 00 0216 366 0 | O-RING | KUGELHAHN 10,50X1,5 NBR80 | 1 | |
| 20 | 00 0783 644 1 | ADAPTOR | G3/8"- 1/2" SAE J 20441 | 1 | |
| 21 | 00 0136 559 0 | TUBE | 12,5X1,25X10000 | 1 | 6) |

1) Remarks with Item 3 - 9, 11, 12

2) Remarks LOCKING

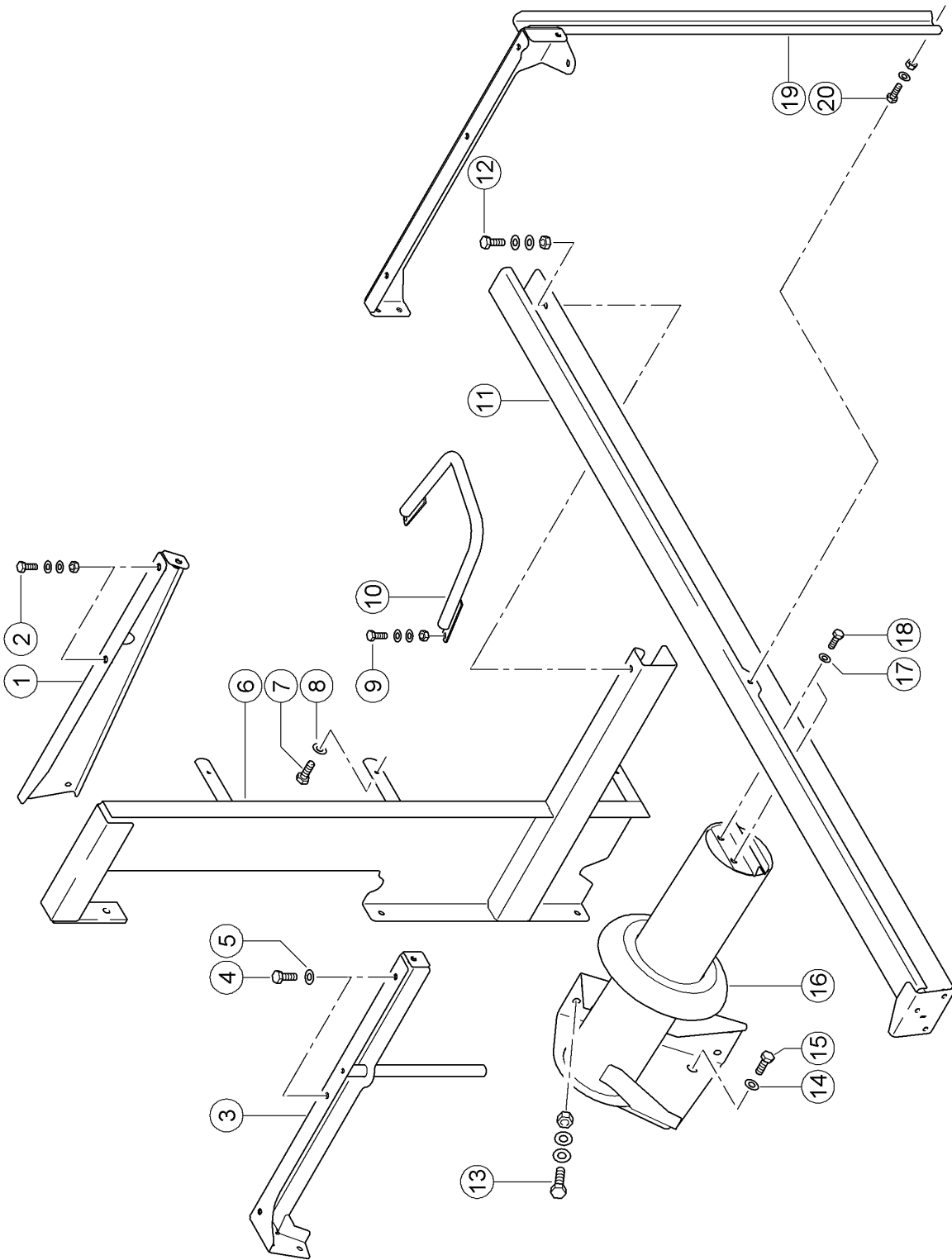
3) Remarks 2800 long

4) CCN CCN-B043 fuel level sensor

5) Remarks with item 14 - 20

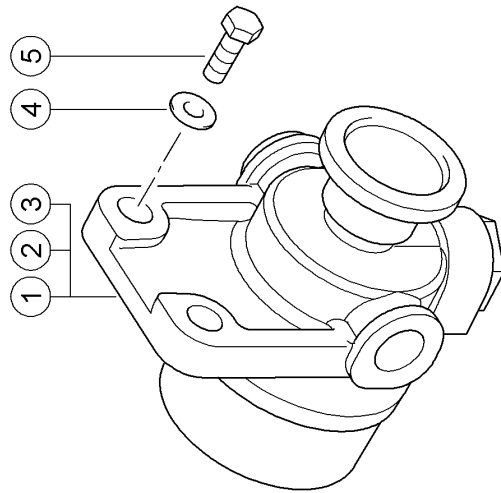
6) Remarks 1020 long

E0173 0125A100A 2



100 FUEL TANK

| Pos. | Part No. | Description | Dimension | Quantity | Conditions |
|------|----------------------|-------------------|--------------------|----------|------------|
| 1 | 00 0794 841 4 | FASTENER | 1400 | 1 | |
| 2 | 00 0237 370 0 | HEXAGON HEAD BOLT | M8X30 | 2 | |
| 2 | 00 0239 387 0 | CONTACT WASHER | A8-8,2X18X1,4 | 4 | |
| 2 | 00 0236 170 0 | HEXAGONAL NUT | M8 | 2 | |
| 3 | 00 0794 936 2 | SUPPORT | 1420 / 600LTR. | 1 | |
| 4 | 00 0237 453 0 | HEXAGON HEAD BOLT | M10X30 | 2 | |
| 5 | 00 0239 388 0 | CONTACT WASHER | A10-10,2X22,25X1,6 | 2 | |
| 6 | 00 0794 938 3 | SUPPORT | 1420 | 1 | |
| 7 | 00 0237 453 0 | HEXAGON HEAD BOLT | M10X30 | 3 | |
| 8 | 00 0239 388 0 | CONTACT WASHER | A10-10,2X22,25X1,6 | 3 | |
| 9 | 00 0237 453 0 | HEXAGON HEAD BOLT | M10X30 | 2 | |
| 9 | 00 0239 388 0 | CONTACT WASHER | A10-10,2X22,25X1,6 | 4 | |
| 9 | 00 0236 171 0 | HEXAGONAL NUT | M10 | 2 | |
| 10 | 00 0782 676 0 | REINFORCING PLATE | | 1 | |
| 11 | 00 0794 855 1 | SUPPORT | | 1 | |
| 12 | 00 0237 453 0 | HEXAGON HEAD BOLT | M10X30 | 1 | |
| 12 | 00 0239 388 0 | CONTACT WASHER | A10-10,2X22,25X1,6 | 2 | |
| 12 | 00 0236 171 0 | HEXAGONAL NUT | M10 | 1 | |
| 13 | 00 0237 461 0 | HEXAGON HEAD BOLT | M12X30 | 4 | |
| 13 | 00 0239 389 0 | CONTACT WASHER | A12 | 8 | |
| 13 | 00 0236 172 0 | HEXAGONAL NUT | M12 | 4 | |
| 14 | 00 0239 388 0 | CONTACT WASHER | A10-10,2X22,25X1,6 | 1 | |
| 15 | 00 0237 453 0 | HEXAGON HEAD BOLT | M10X30 | 1 | |
| 16 | 00 0794 935 2 | MAIN FRAME | 1420 | 1 | |
| 17 | 00 0239 387 0 | CONTACT WASHER | A8-8,2X18X1,4 | 2 | |
| 18 | 00 0237 439 0 | HEXAGON HEAD BOLT | M8X16 | 2 | |
| 19 | 00 0794 937 2 | SUPPORT | 1420 | 1 | |
| 20 | 00 0237 439 0 | HEXAGON HEAD BOLT | M8X16 | 3 | |
| 20 | 00 0239 387 0 | CONTACT WASHER | A8-8,2X18X1,4 | 4 | |
| 20 | 00 0236 170 0 | HEXAGONAL NUT | M8 | 1 | |



120 FUEL DELIVERY PUMP

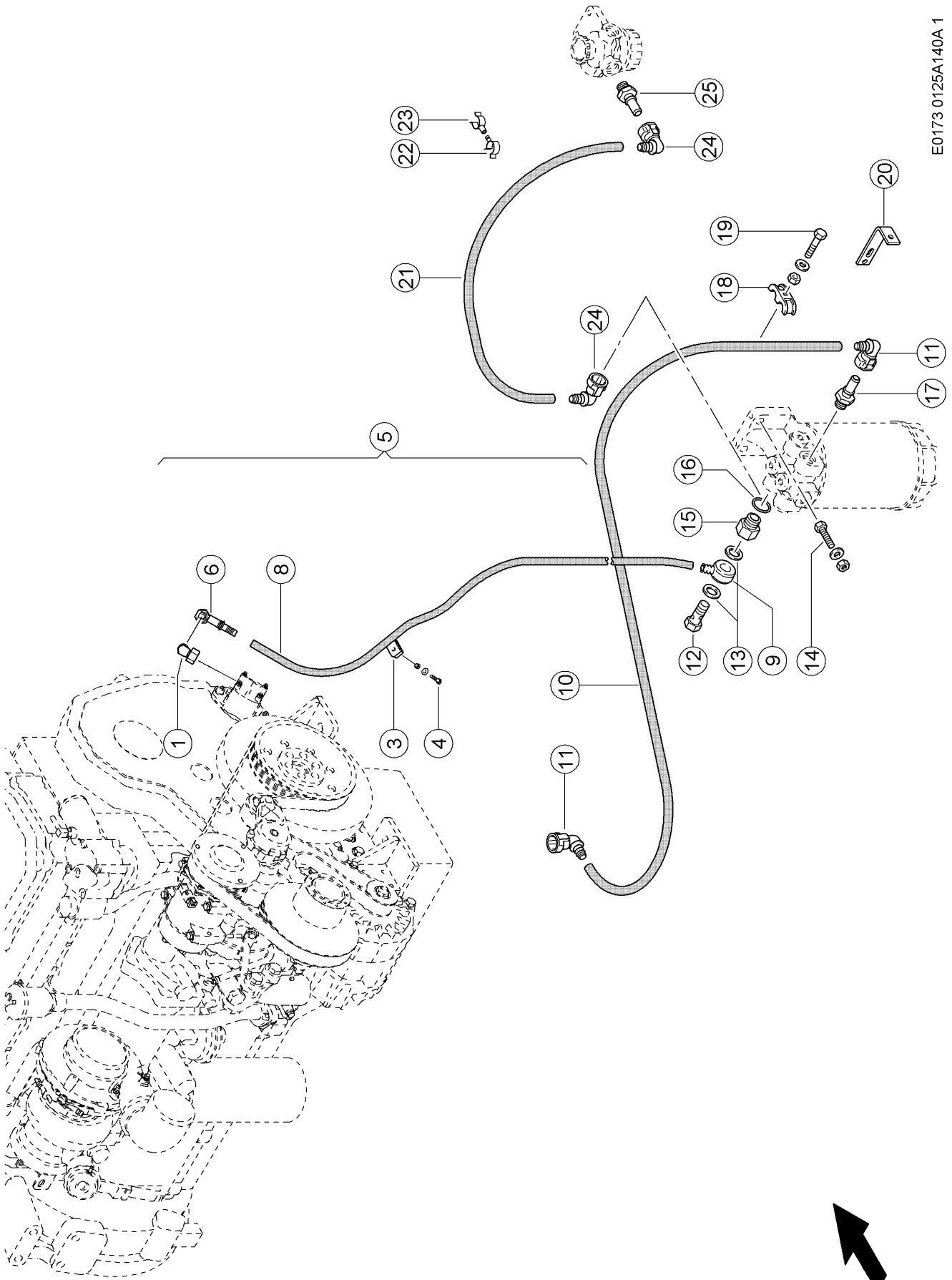
| Pos. | Part No. | Description | Dimension | Quantity | Conditions |
|------|----------------------|-------------------|-----------------|----------|------------|
| 1 | 00 0068 665 0 | HAND PUMP | H11K06 M16X1,5 | 1 | 1) |
| 1 | 00 0360 431 1 | FUEL PUMP | | 1 | 2) |
| 1 | 00 0077 445 0 | FILTER ELEMENT | | 1 | 1) |
| 2 | 00 0077 446 0 | SEALING RING | F. H11 K02 | 1 | 1) |
| 3 | 00 0077 447 0 | INSPECTION GLASS | | 1 | 1) |
| 4 | 00 0239 393 1 | CONTACT WASHER | B 8 -8.2X22X1,9 | 2 | 1) |
| 5 | 00 0236 200 0 | HEXAGON HEAD BOLT | M8X20 | 2 | 1) |

1) Equipment

| | |
|-------------|--|
| MD_P02_0670 | CAT C6.6 engine (EWG203kW/ECE191kW) |
| MD_P02_0671 | CAT C6.6 engine (EWG203kW/ECE191kW) with air compressor system |
| MD_P02_1670 | 1670_C6.6 EWG203kW/ECE191kW |
| MD_P02_1671 | 1671_C6.6 K EWG203kW/ECE191kW |

2) Equipment

| | |
|-------------|--|
| MD_P02_0660 | CAT C9 engine (EWG230kW/ECE217kW) |
| MD_P02_0661 | CAT C9 engine (EWG230kW/ECE217kW) with air compressor system |
| MD_P02_1660 | 1660_C9 EWG230kW/ECE217kW |
| MD_P02_1661 | 1661_C9 K EWG230kW/ECE217kW |



E0173 0125A140A 1

140 FUEL PIPES

| Pos. | Part No. | Description | Dimension | Quantity | Conditions |
|------|----------------------|------------------------|---|----------|------------|
| 1 | 00 0249 836 0 | ANGULAR MALE CONNECTOR | SWOE-L15 | 1 | |
| 3 | 00 0715 242 0 | CLAMP | A 15 | 1 | |
| 4 | 00 0242 442 0 | HEXAGON HEAD BOLT | M 6X30 | 1 | |
| 4 | 00 0239 386 0 | CONTACT WASHER | A 6 | 1 | |
| 4 | 00 0236 169 0 | HEXAGONAL NUT | M6 | 1 | |
| 5 | 00 0796 197 0 | FUEL PIPE | LG 3500 MM | 1 | 1) |
| 5 | 00 0798 824 0 | FUEL PIPE | FILTER-MOTOR | 1 | 2) |
| 6 | 00 0796 209 1 | CONNECTION | SWE-10X12 | 1 | 3) |
| 8 | 00 0136 591 0 | PLASTIC TUBE | 15 X1,5X10000 | 1 | 4) |
| 8 | 00 0136 591 0 | PLASTIC TUBE | 15 X1,5X10000 | 1 | 5) |
| 9 | 00 0216 458 0 | CONNECTION | R16-12 | 1 | |
| 10 | 00 0799 121 1 | FUEL PIPE | TANK-FILTER | 1 | 6) |
| 11 | 00 0798 863 0 | CONNECTOR | NORMAQUICK S NW | 2 | |
| 12 | 00 0096 030 0 | HOLLOW SCREW | 1/2"-10- 12 - M16X1,5 (12-3 ZULÄS | 1 | |
| 13 | 00 0216 465 0 | SEALING RING | D 16X22 | 2 | |
| 14 | 00 0237 442 0 | HEXAGON HEAD BOLT | M8X25 | 2 | |
| 14 | 00 0239 393 1 | CONTACT WASHER | B 8 -8.2X22X1,9 | 2 | |
| 14 | 00 0236 170 0 | HEXAGONAL NUT | M8 | 2 | |
| 15 | 00 0545 906 0 | SCREW UNION | M22X1.5/M16X1.5 | 1 | 7) |
| 16 | 00 0238 451 0 | O-RING | 19,3 X2,4 -N | 1 | 7) |
| 17 | 00 0798 652 1 | ADAPTER | DN 12 - F-M22X1,5 | 2 | 7) |
| 17 | 00 0798 664 0 | ADAPTER | M16X1,5 / 1/2" SAE J 204 | 2 | 8) |
| 18 | 00 0715 242 0 | CLAMP | A 15 | 3 | 3) |
| 18 | 00 0216 117 0 | CLAMP | A 10 | 1 | 9) |
| 19 | 00 0235 505 0 | HEXAGON HEAD BOLT | M06X30 | 3 | |
| 19 | 00 0239 386 0 | CONTACT WASHER | A 6 | 5 | |
| 19 | 00 0236 169 0 | HEXAGONAL NUT | M6 | 5 | |
| 20 | 00 0713 845 1 | SUPPORT ANGLE | 25X5X130 | 1 | |
| 21 | 00 0799 127 0 | FUEL PIPE | FILTER-PUMPE | 1 | 10) |
| 22 | 00 0796 374 0 | PIPE BRACKET | D 11 | 1 | 9) |
| 23 | 00 0796 375 0 | PIPE BRACKET | D 11 | 1 | 9) |
| 24 | 00 0798 863 0 | CONNECTOR | NORMAQUICK S NW | 2 | 9) |
| 25 | 00 0798 664 0 | ADAPTER | 1/2"-10- M16X1,5 / 1/2" SAE J 204 | 1 | 9) |

1) Equipment

| | |
|-------------|--|
| MD_P02_0660 | CAT C9 engine (EWG230kW/ECE217kW) |
| MD_P02_0661 | CAT C9 engine (EWG230kW/ECE217kW) with air compressor system |
| MD_P02_1660 | 1660_C9 EWG230kW/ECE217kW |
| MD_P02_1661 | 1661_C9 K EWG230kW/ECE217kW with Item 6 - 9 |

Remarks**2) Equipment**

| | |
|-------------|--|
| MD_P02_0670 | CAT C6.6 engine (EWG203kW/ECE191kW) |
| MD_P02_0671 | CAT C6.6 engine (EWG203kW/ECE191kW) with air compressor system |
| MD_P02_1670 | 1670_C6.6 EWG203kW/ECE191kW |
| MD_P02_1671 | 1671_C6.6 K EWG203kW/ECE191kW with Item 1, 8, 9 |

Remarks**3) Equipment**

| | |
|-------------|--|
| MD_P02_0660 | CAT C9 engine (EWG230kW/ECE217kW) |
| MD_P02_0661 | CAT C9 engine (EWG230kW/ECE217kW) with air compressor system |
| MD_P02_1660 | 1660_C9 EWG230kW/ECE217kW |
| MD_P02_1661 | 1661_C9 K EWG230kW/ECE217kW |

140 FUEL PIPES

| | | |
|----------------------|--|---|
| 4) Equipment | MD_P02_0660 MD_P02_0661 MD_P02_1660 MD_P02_1661 | CAT C9 engine (EWG230kW/ECE217kW) CAT C9 engine (EWG230kW/ECE217kW) with air compressor system 1660_C9 EWG230kW/ECE217kW 1661_C9 K EWG230kW/ECE217kW 3500 long |
| Remarks | | |
| 5) Equipment | MD_P02_0670 MD_P02_0671 MD_P02_1670 MD_P02_1671 | CAT C6.6 engine (EWG203kW/ECE191kW) CAT C6.6 engine (EWG203kW/ECE191kW) with air compressor system 1670_C6.6 EWG203kW/ECE191kW 1671_C6.6 K EWG203kW/ECE191kW 3110 long |
| Remarks | | |
| 6) Remarks | | with Item 11 |
| 7) Equipment | MD_P06_0010 | Additional fuel filter |
| 8) Equipment | MD_P06_0020 | Fuel pre-filter |
| 9) Equipment | MD_P02_0670 MD_P02_0671 MD_P02_1670 MD_P02_1671 | CAT C6.6 engine (EWG203kW/ECE191kW) CAT C6.6 engine (EWG203kW/ECE191kW) with air compressor system 1670_C6.6 EWG203kW/ECE191kW 1671_C6.6 K EWG203kW/ECE191kW |
| 10) Equipment | MD_P02_0670 MD_P02_0671 MD_P02_1670 MD_P02_1671 | CAT C6.6 engine (EWG203kW/ECE191kW) CAT C6.6 engine (EWG203kW/ECE191kW) with air compressor system 1670_C6.6 EWG203kW/ECE191kW 1671_C6.6 K EWG203kW/ECE191kW with Item 24 |
| Remarks | | |

Thank you so much for reading.
Please click the “Buy Now!”
button below to download the
complete manual.



After you pay.

You can download the most
perfect and complete manual in
the world immediately.

Our support email:

ebooklibonline@outlook.com