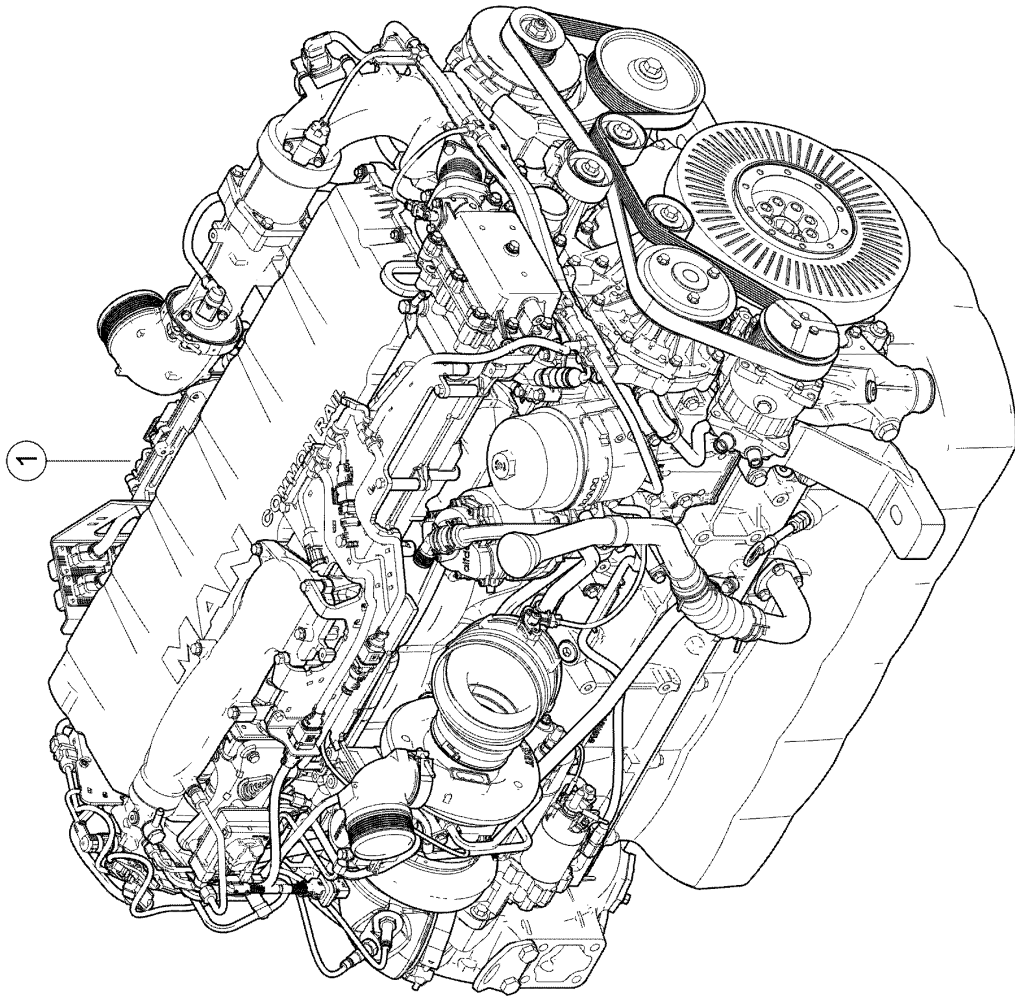


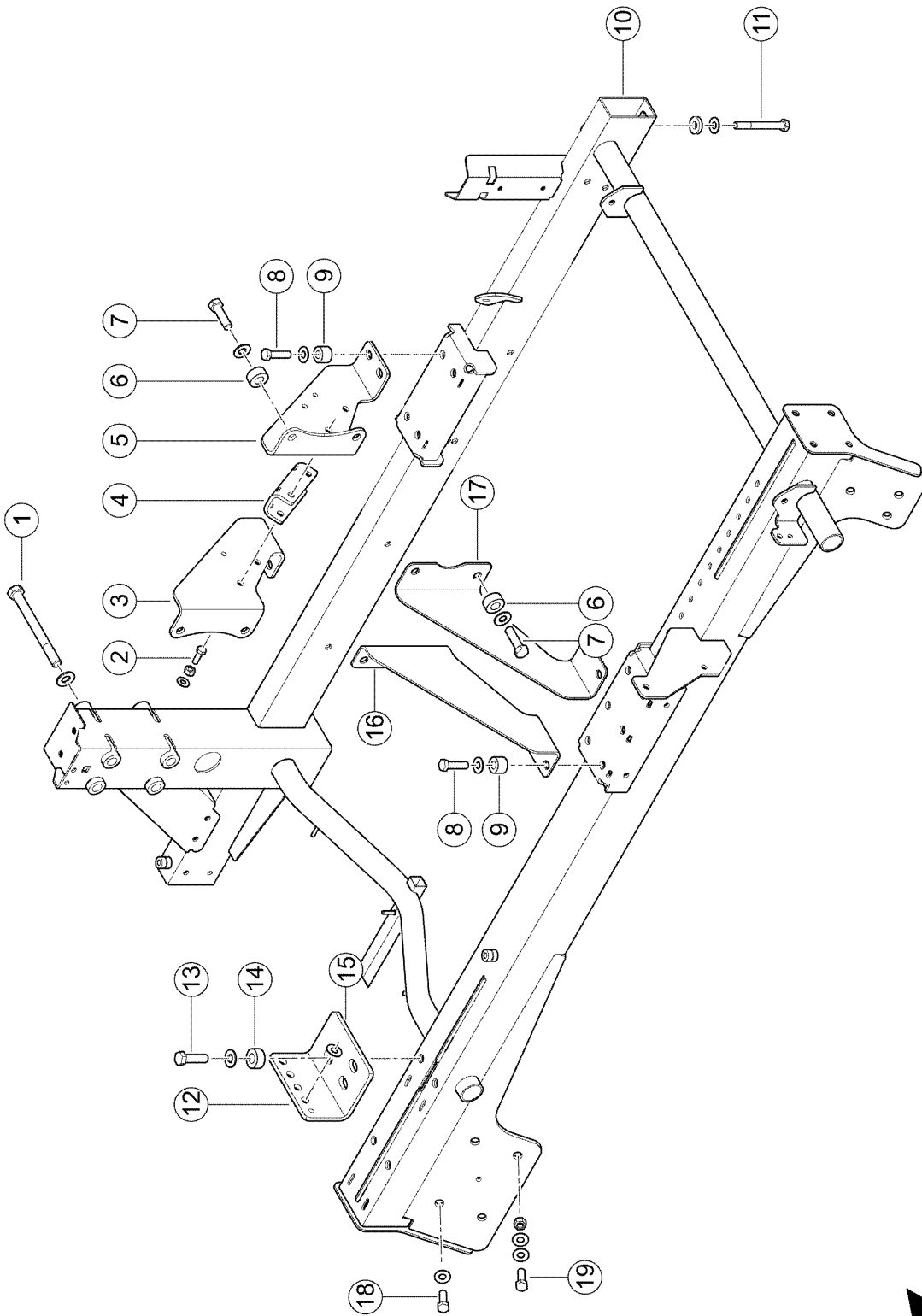
010 COMPLETE ENGINE 1)

Pos.	Part No.	Description	Dimension	Quantity	Conditions
1	00 2598 544 0	ENGINE	OM470 340KW E5/T4 LEXION	1	
1)	Equipment	MD_P02_0768	Mercedes-Benz OM470 LA - 340 kW/456 hp (T4)		



010 COMPLETE ENGINE 1)

Pos.	Part No.	Description	Dimension	Quantity	Conditions
1	00 2775 933 0	ENGINE	D2676 T4 373KW SCHUETTLE	1	
1) Equipment					
		MD_P02_0932	MAN D2676 - 373 kW/507 hp (Tier 4)		



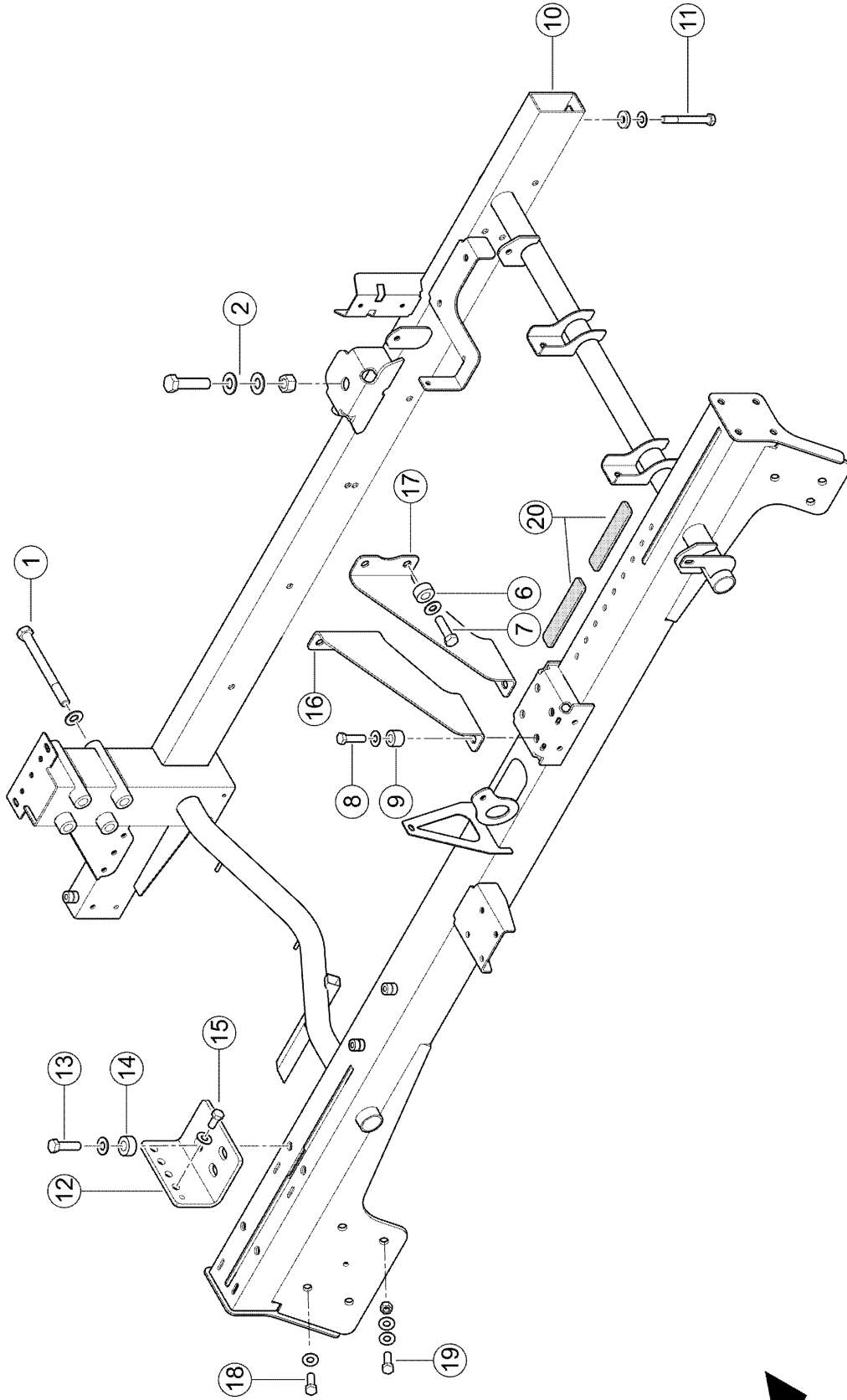
100 ENGINE SUSPENSION 1)

Pos.	Part No.	Description	Dimension	Quantity	Conditions
1	00 0665 457 1	HEX.HEAD BOLT	M16X1,5X170	4	
1	00 0239 391 0	CONTACT WASHER	A16	4	
2	00 0237 453 0	HEXAGON HEAD BOLT	M10X30	4	
2	00 0239 388 0	CONTACT WASHER	A10-10,2X22,25X1,6	4	
2	00 0236 171 0	HEXAGONAL NUT	M10	4	
3	00 2675 893 0	SUPPORT	6X278,6X339,3	1	
4	00 2675 895 0	CONNECTION	6X105,6X120	1	
5	00 2675 894 0	SUPPORT	6X344,3X277,6	1	
6	00 2630 278 0	BUSHING	D34XD16,5X16	8	
7	00 1602 199 0	HEXAGON HEAD BOLT	M14X1,5X50	8	
7	00 0239 390 0	CONTACT WASHER	A14	8	
8	00 0237 573 0	HEXAGON HEAD BOLT	M12X50	8	
8	00 0239 389 0	CONTACT WASHER	A12	8	
9	00 2678 073 0	BUSHING	D28XD13X20	8	
10	00 2626 941 7	ENGINE MOUNTING	OM470LA 1700	1	
11	00 0235 563 0	HEXAGON HEAD BOLT	M12X100	9	
11	00 0239 389 0	CONTACT WASHER	A12	9	
11	00 0233 103 0	WASHER	13-13X30X6	9	
12	00 2658 317 1	SUPPORT	8X150X181,1	1	
13	00 0237 373 0	HEXAGON HEAD BOLT	M14X40	4	
13	00 0239 390 0	CONTACT WASHER	A14	4	
14	00 0238 990 0	WASHER	Ø16,5 X Ø33,5 - 1X5	4	
15	00 0236 056 0	HEXAGON HEAD BOLT	M12X25	4	
15	00 0239 389 0	CONTACT WASHER	A12	4	
16	00 2659 935 1	SUPPORT	4X343,9X311,9	1	
17	00 2659 932 1	SUPPORT	4X343,9X322	1	
18	00 0237 572 0	HEXAGON HEAD BOLT	M12X35	3	
18	00 0239 389 0	CONTACT WASHER	A12	3	
19	00 0237 572 0	HEXAGON HEAD BOLT	M12X35	4	
19	00 0239 389 0	CONTACT WASHER	A12	8	
19	00 0236 172 0	HEXAGONAL NUT	M12	4	

1) Equipment

MD_P02_0768

Mercedes-Benz OM470 LA - 340 kW/456 hp (T4)



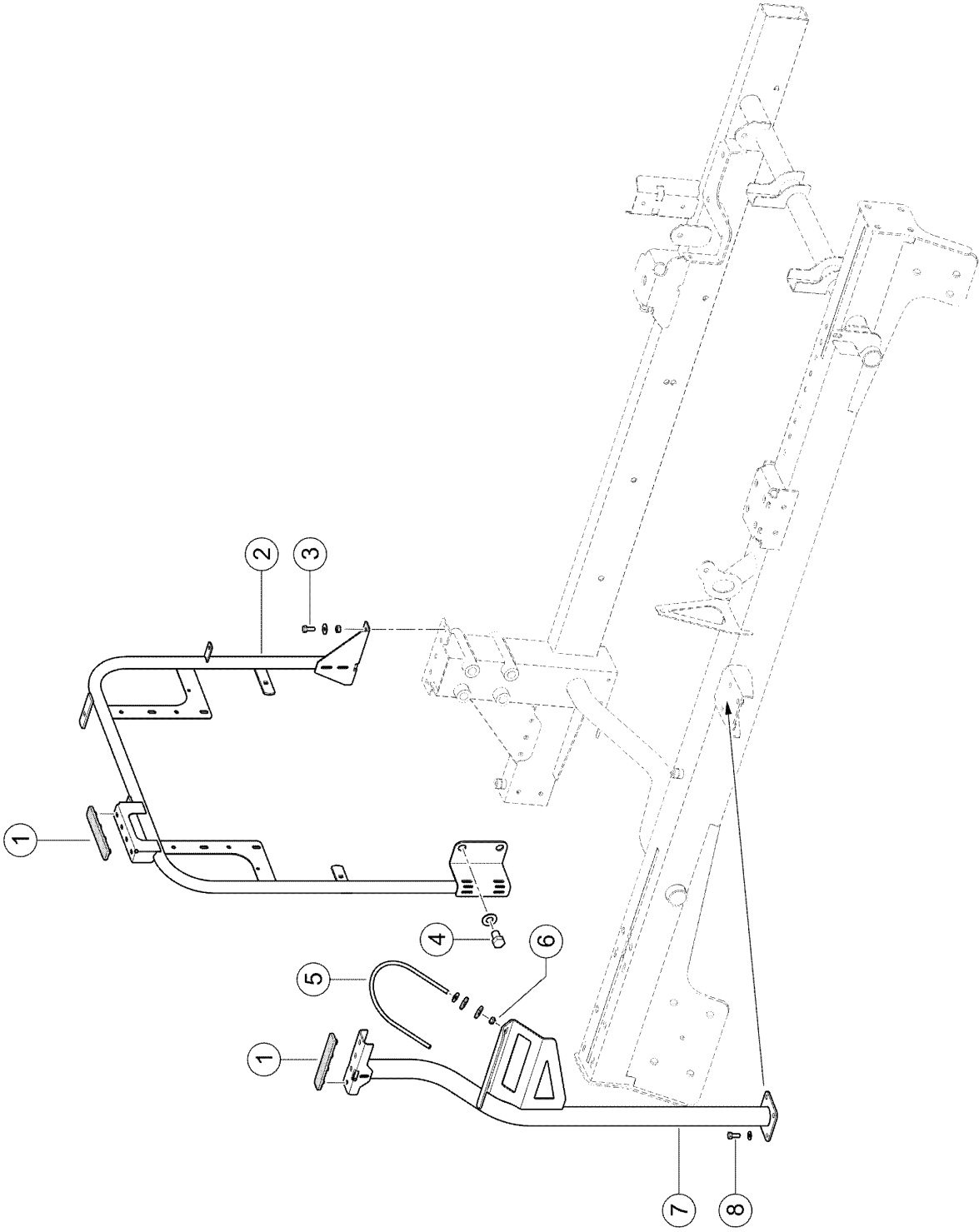
100 ENGINE SUSPENSION 1)

Pos.	Part No.	Description	Dimension	Quantity	Conditions
1	77 0004 929 7	HEXAGON HEAD BOLT	M16X160	4	
1	00 0239 391 0	CONTACT WASHER	A16	4	
2	00 0233 094 0	HEXAGON HEAD BOLT	M20X80	1	
2	00 0212 191 0	CONTACT WASHER	A20	2	
2	00 0237 521 0	HEX.NUT	M20	1	
6	00 2652 547 0	BUSHING		4	
7	00 0217 067 0	HEXAGON HEAD BOLT	M14X50	4	
7	00 0239 390 0	CONTACT WASHER	A14	4	
8	00 0235 553 0	HEXAGON HEAD BOLT	M12X45	4	
8	00 0239 389 0	CONTACT WASHER	A12	4	
9	00 2678 073 0	BUSHING	D28XD13X20	4	
10	00 2742 732 0	ENGINE MOUNTING	D2676 1700	1	
11	00 0235 563 0	HEXAGON HEAD BOLT	M12X100	9	
11	00 0239 389 0	CONTACT WASHER	A12	9	
11	00 0233 103 0	WASHER	13-13X30X6	9	
12	00 2658 317 1	SUPPORT	8X150X181,1	1	
13	00 0237 373 0	HEXAGON HEAD BOLT	M14X40	4	
13	00 0239 390 0	CONTACT WASHER	A14	4	
14	00 0238 990 0	WASHER	Ø16,5 X Ø33,5 - 1X5	4	
15	00 0236 056 0	HEXAGON HEAD BOLT	M12X25	4	
15	00 0239 389 0	CONTACT WASHER	A12	4	
16	00 2658 339 1	SUPPORT	4X272,9X301,4	1	
17	00 2652 358 1	SUPPORT	4X272,9X301,4	1	
18	00 0237 572 0	HEXAGON HEAD BOLT	M12X35	3	
18	00 0239 389 0	CONTACT WASHER	A12	3	
19	00 0237 572 0	HEXAGON HEAD BOLT	M12X35	4	
19	00 0239 389 0	CONTACT WASHER	A12	8	
19	00 0236 172 0	HEXAGONAL NUT	M12	4	
20	00 2599 780 0	RUBBER PAD	150X30X6(15)	2	

1) Equipment

MD_P02_0932

MAN D2676 - 373 kW/507 hp (Tier 4)



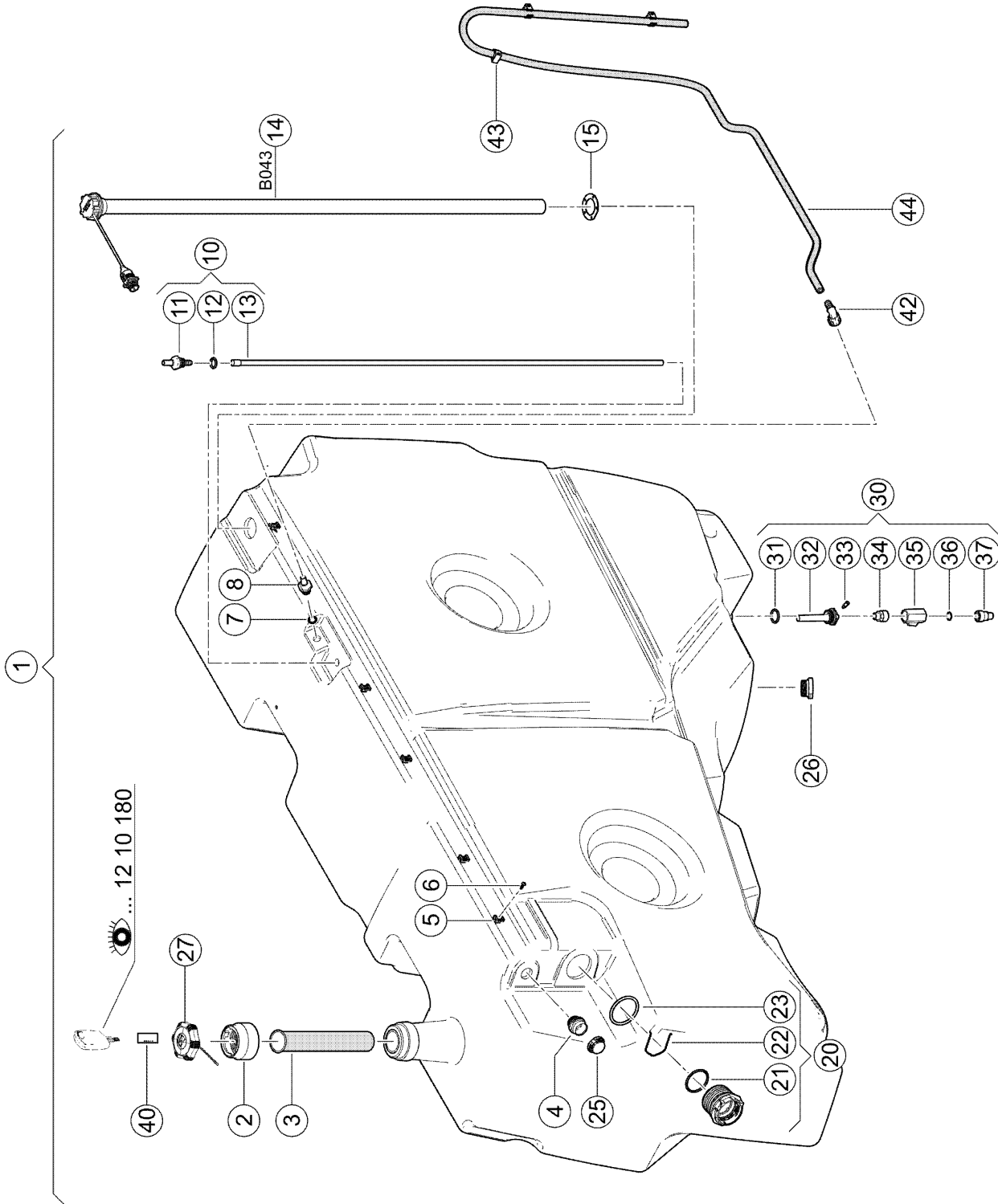
100 ENGINE SUSPENSION 1)

Pos.	Part No.	Description	Dimension	Quantity	Conditions
1	00 2599 780 0	RUBBER PAD	150X30X6(15)	2	
2	00 2626 290 2	FRAME		1	
3	00 0236 200 0	HEXAGON HEAD BOLT	M8X20	2	
3	00 0239 387 0	CONTACT WASHER	A8-8,2X18X1,4	2	
3	00 0236 170 0	HEXAGONAL NUT	M8	2	
4	00 0237 463 0	HEXAGON HEAD BOLT	M16X25	2	
4	00 0239 391 0	CONTACT WASHER	A16	2	
5	00 2402 009 0	CLAMP BRACKET	M8X154	1	
6	00 0234 320 0	WASHER	8,4X23X3	4	
6	00 0239 393 1	CONTACT WASHER	B 8 -8.2X22X1,9	2	
6	00 0238 132 0	LOCK NUT	M8	2	
7	00 2653 636 2	SUPPORT	D2676	1	
8	00 0236 200 0	HEXAGON HEAD BOLT	M8X20	4	
8	00 0239 387 0	CONTACT WASHER	A8-8,2X18X1,4	4	

1) Equipment

MD_P02_0932

MAN D2676 - 373 kW/507 hp (Tier 4)



100 FUEL TANK

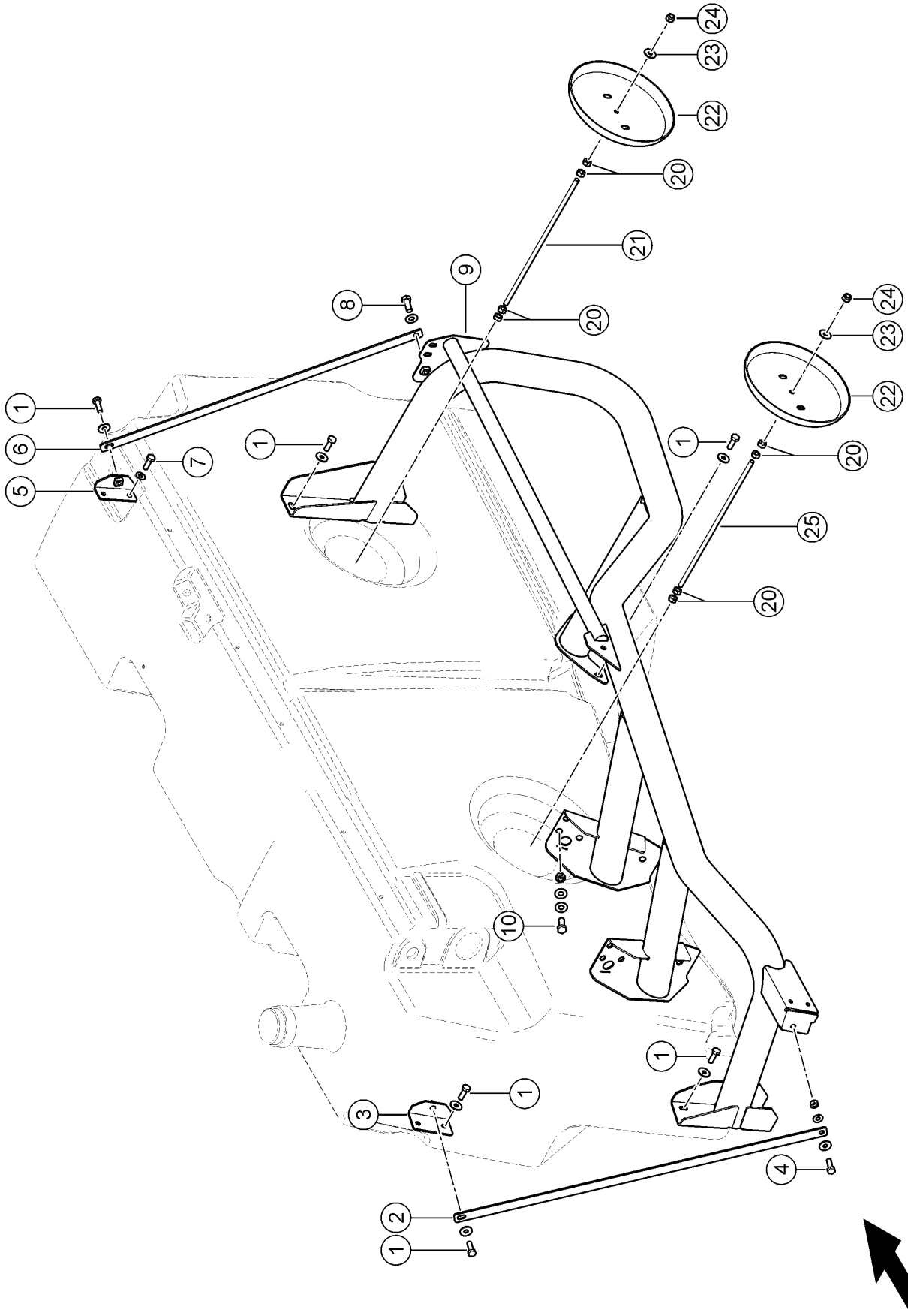
Pos.	Part No.	Description	Dimension	Quantity	Conditions
1	00 1806 979 0	FUEL TANK		1	1)
2	00 0503 244 0	SOCKET		1	
3	00 0503 245 0	FILTER ELEMENT		1	
4	00 1802 724 0	SOCKET		1	
5	00 1804 166 0	SUPPORT	10X16X23	8	
6	00 1116 932 0	PT SCREW	K50X16-T20-WN1451	8	
7	00 1828 336 0	O-RING	19X4-N	1	
8	00 2702 171 0	VENTILATION	G1/2"ROLLOVER MIT 1/2" S	1	2)
10	00 0783 660 1	RETURN PIPE		1	3)
11	00 1828 333 0	ADAPTER		1	4)
12	00 1828 336 0	O-RING	19X4-N	1	
13	00 0205 206 0	TUBE	D12,5X1,25	1	5)
14	00 0016 596 3	LEVEL INDICATOR	L=1320MM	1	6)
14	00 0783 653 0	PT SCREW	6ST 4X40	1	7)
15	00 0794 993 0	GASKET	VORRATSGEBER	1	
20	00 1804 006 3	CLUTCH	PS3-NW50-M76X6	1	8)
21	00 1805 152 0	O-RING	56X4 VITON 60	1	
22	00 1805 151 0	BRACKET	NQ PS3 NW5 VERRIEGELUNG	1	
23	00 0505 956 1	O-RING	68,7 X 6	1	
25	00 0217 912 0	BLIND PLUG	NQ V2-NW27	1	
26	00 1802 723 0	BLIND PLUG		1	
27	00 0503 239 0	CAP		1	9)
30	00 1805 691 0	CONNECTION	W-ABLASS PS3-NW12	1	10)
31	00 0217 459 1	O-RING	27X4,0 -N	1	
32	00 0783 643 1	PLUG	WASSER + G3/8"	1	
33	00 0687 625 1	HEXAGON HEAD BOLT	M8X17 F. TANK WASSERABLA	1	
34	00 1805 689 1	DOUBLE NIPPLE	G3/4AG - G3/8AG	1	
35	00 1805 688 0	BALL-TYPE TAP	IG + IG G3/4" LW 12	1	
36	00 0132 263 0	O-RING	017-17,17 X1,78 -N	1	
37	00 1805 690 0	ADAPTER	G3/4"AG / PS3 NW12	1	
40	00 0536 215 0	LOCKING CYLINDER	TANK,STANDARD SCHLIESSUN	1	11)
42	00 0798 863 0	CONNECTOR	NORMAQUICK S NW 1/2"-10-	1	
43	00 0013 152 0	CABLE CLAMP	NW 13	3	
44	00 0410 302 0	HOSE	B 10X16	1	12)

1)	Remarks	with Item 2 - 27
2)	Remarks	with Item 7
3)	Remarks	with Item 11 - 13
4)	Remarks	with Item 12
5)	Remarks	1290mm long
6)	CCN	CCN-B043 fuel level sensor
7)	Remarks	set
8)	Remarks	with Item 21 - 23
9)	Remarks	Standard
10)	Remarks	with Item 31 - 37
11)	Equipment	MD_Q18_0010 Locking system, standard

100 FUEL TANK

12) Remarks

2000 mm long



Thank you so much for reading.
Please click the “Buy Now!”
button below to download the
complete manual.



After you pay.

You can download the most
perfect and complete manual in
the world immediately.

Our support email:

ebooklibonline@outlook.com