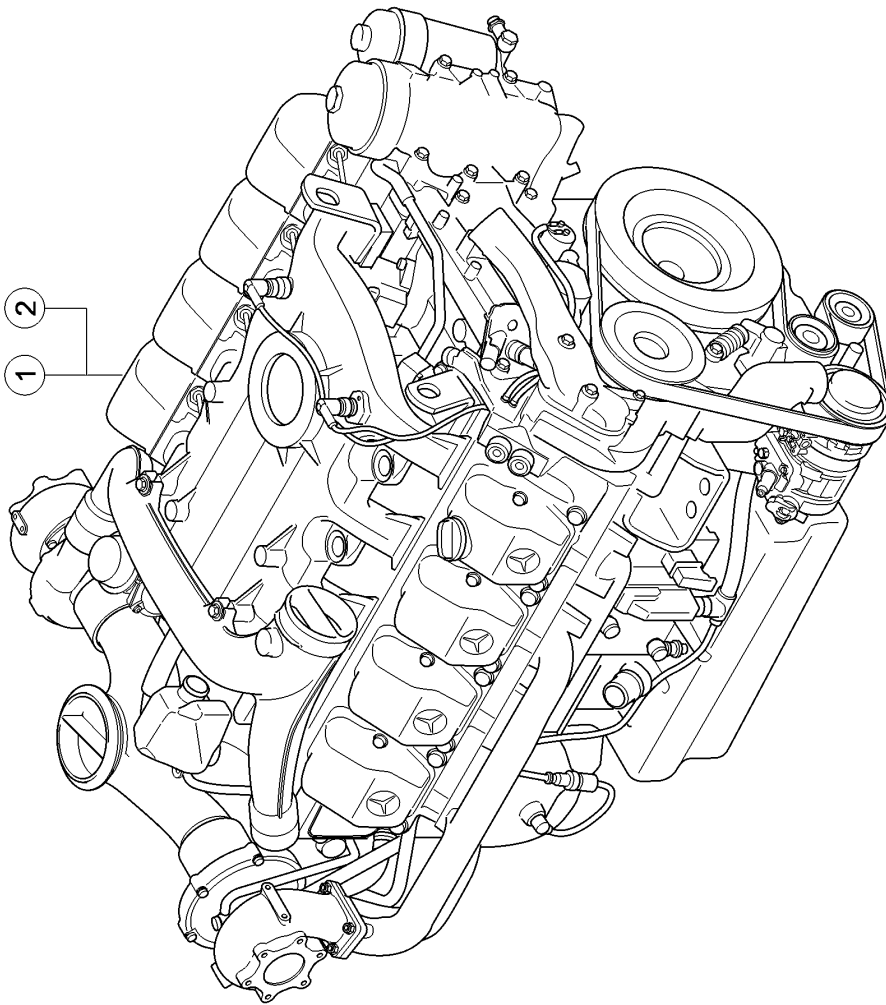
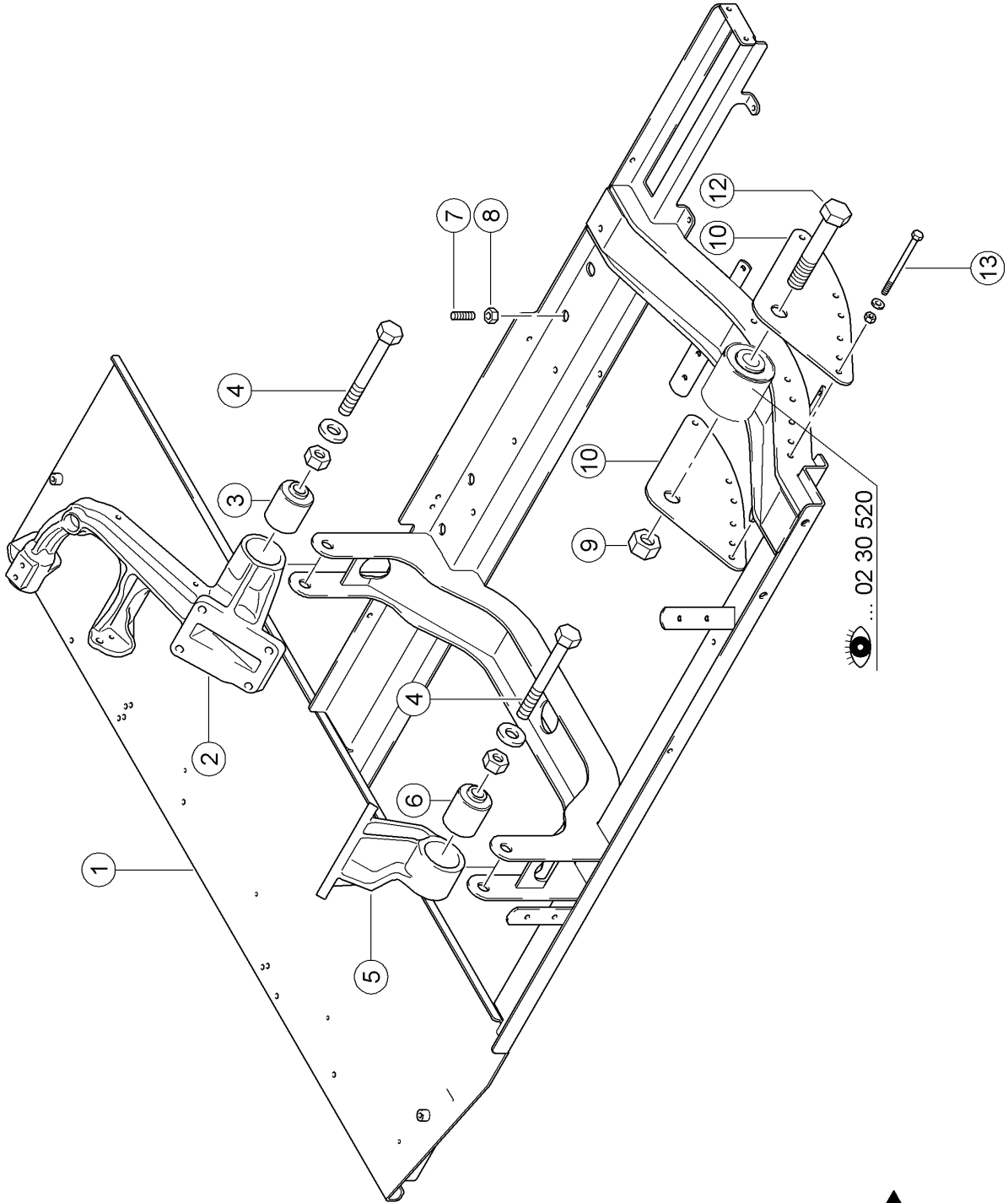


E0176 0102A010A 1



010 COMPLETE ENGINE

Pos.	Part No.	Description	Dimension	Quantity	Conditions
1	00 0798 439 1	ENGINE	OM 502 LA 390KW	1	1)
1	00 0798 438 1	ENGINE	OM 502 LA 390KW	1	2)
1	00 0780 655 0	ENGINE	OM 502 LA 390KW EU-FLEX	1	3)
1	00 0780 656 0	ENGINE	OM 502 LA 390KW EU-FLEX	1	4)
2	00 1992 161 0	ENGINE	REMAN OM 502 LA 390KW	1	5)
2	00 1992 166 0	ENGINE	REMAN OM 502 LA 390KW	1	6)
1)	Equipment	MD_P02_1221	1221_OM502K EWG348kW/ECE330kW		
2)	Equipment	MD_P02_1220	1220_OM502 EWG348kW/ECE330kW		
3)	Equipment	MD_P02_0220	Mercedes OM502 engine (EWG348kW/ECE330kW) without air compressor		
4)	Equipment	MD_P02_0221	Mercedes OM502 engine (EWG348kW/ECE330kW) with air compressor		
5)	Equipment	MD_P02_1221	1221_OM502K EWG348kW/ECE330kW		
	Remarks		Exchange / Reman		
6)	Equipment	MD_P02_1220	1220_OM502 EWG348kW/ECE330kW		
	Remarks		Exchange / Reman		



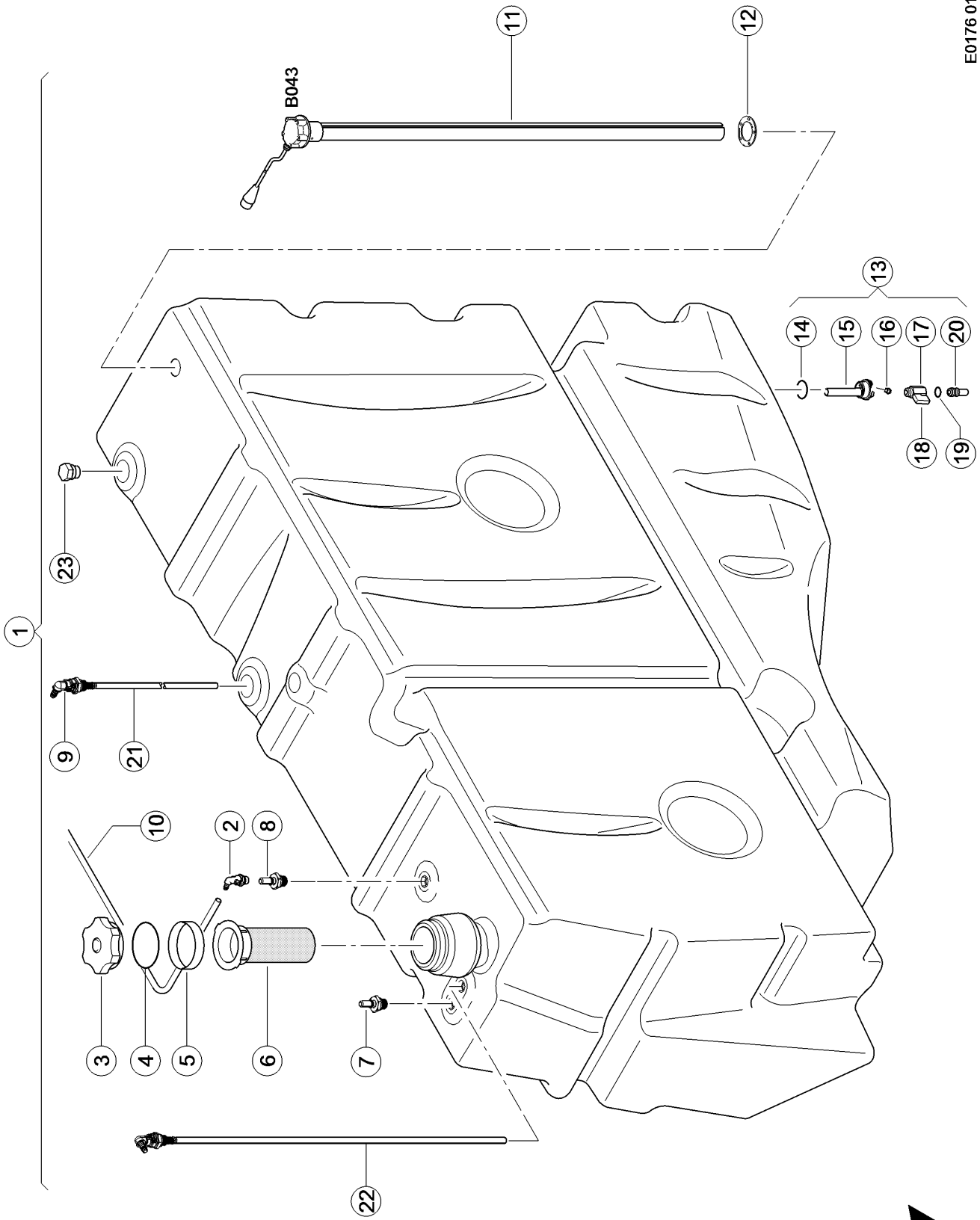
100 ENGINE SUSPENSION

Pos.	Part No.	Description	Dimension	Quantity	Conditions
1	00 0799 379 3	ENGINE MOUNTING	OM 502 LA C56/C59	1	
2	00 0743 607 1	ENGINE SUPPORT		1	1)
3	00 0090 330 0	MEGU BUSHING	22X65X89,5	1	
4	00 0218 175 0	HEXAGON HEAD BOLT	M20X130	2	
4	00 0212 191 0	CONTACT WASHER	A20	2	
4	00 0237 521 0	HEX.NUT	M20	2	
5	00 0743 605 1	ENGINE SUPPORT		1	2)
6	00 0090 330 0	MEGU BUSHING	22X65X89,5	1	
7	00 0216 645 0	STUD BOLT	M14X1,5 X40	8	
8	00 0216 643 0	NUT	M14X1,5	8	
9	00 0211 242 0	HEXAGONAL NUT	M30	1	
10	00 0796 969 0	STRAP	6X226X347	2	
12	00 0211 241 0	HEXAGON HEAD BOLT	M30X170	1	
13	77 0310 108 5	HEXAGON HEAD BOLT	M10X140-32	6	
13	00 0239 388 0	CONTACT WASHER	A10-10,2X22,25X1,6	6	
13	00 0237 886 0	HEXAGONAL NUT	M10	6	

1) Remarks with Item 3

2) Remarks with Item 6

E0176 0125A100A 1



100 FUEL TANK 1)

Pos.	Part No.	Description	Dimension	Quantity	Conditions
1	00 0506 711 1	FUEL TANK	800 LTR OHNE Z-TANK	1	2)
1	00 0506 391 0	FUEL TANK	800LTR. FUER Z-TANK	1	3)
2	00 0217 501 0	CONNECTOR	NQS 1/2" - 6 X 90 GRAD	1	
3	00 0217 508 0	CAP	DV 80 GL OHNE LÜFTUNG	1	
3	00 0177 621 0	CAP	D80 BELUEFTET, ABSCHLIES	1	4)
4	00 0211 701 0	O-RING	91,67X3,53-N	1	
5	00 0038 915 0	SOCKET	SV 80 B/40	1	
6	00 0736 238 0	TANK FILTER		1	
7	00 0783 647 1	ADAPTER		1	5)
7	00 0783 648 2	BLIND PLUG		1	6)
8	00 0794 417 2	VENTILATION		1	
9	00 0783 649 1	ADAPTER		1	
9	00 0217 460 0	O-RING	18,64X3,53 -N	1	
10	00 0202 240 0	HOSE	A 6X10	1	7)
10	00 0217 507 0	PIPE BRACKET	NW 7,5	4	
11	00 0016 596 3	LEVEL INDICATOR	L=1320MM	1	8)
12	00 0794 993 0	GASKET	VORRATSGEBER	1	
13	00 0794 414 1	CONNECTION	MIT W.ABLAS ; KUGELH. ;	1	9)
14	00 0217 459 1	O-RING	27X4,0 -N	1	
15	00 0783 643 1	PLUG	WASSER + G3/8"	1	
16	00 0687 625 1	HEXAGON HEAD BOLT	M8X17 F. TANK	1	
17	00 0783 652 0	BALL-TYPE TAP	WASSERABLA DN8-I-G3/8XA-G3/8	1	
18	00 0783 658 0	ANTI-ROTAT. LOCK	FUER 3/8" KUGELHAHN	1	
19	00 0216 366 0	O-RING	10,50X1,5 NBR80	1	
20	00 0783 644 1	ADAPTOR	G3/8"- 1/2" SAE J 20441		
21	00 0136 559 0	TUBE	12,5X1,25X10000	1	10)
22	00 0783 661 0	RETURN PIPE	KURZ FUER Z-TANK 600+800	1	5)
22	00 0783 648 2	BLIND PLUG		1	6)
23	00 0783 648 2	BLIND PLUG		3	6)

1) Equipment

MD_P14_0080	Fuel tank 800 litres
MD_P14_0115	Fuel tank 1150 litres

2) Equipment**Remarks**

MD_P14_0080	Fuel tank 800 litres with Item 3 - 6, 8 - 12
-------------	---

3) Equipment**Remarks**

MD_P14_0115	Fuel tank 1150 litres with Item 2 - 12
-------------	---

4) Remarks

LOCKING

5) Equipment

MD_P14_0115	Fuel tank 1150 litres
-------------	-----------------------

6) Equipment

MD_P14_0080	Fuel tank 800 litres
-------------	----------------------

7) Remarks

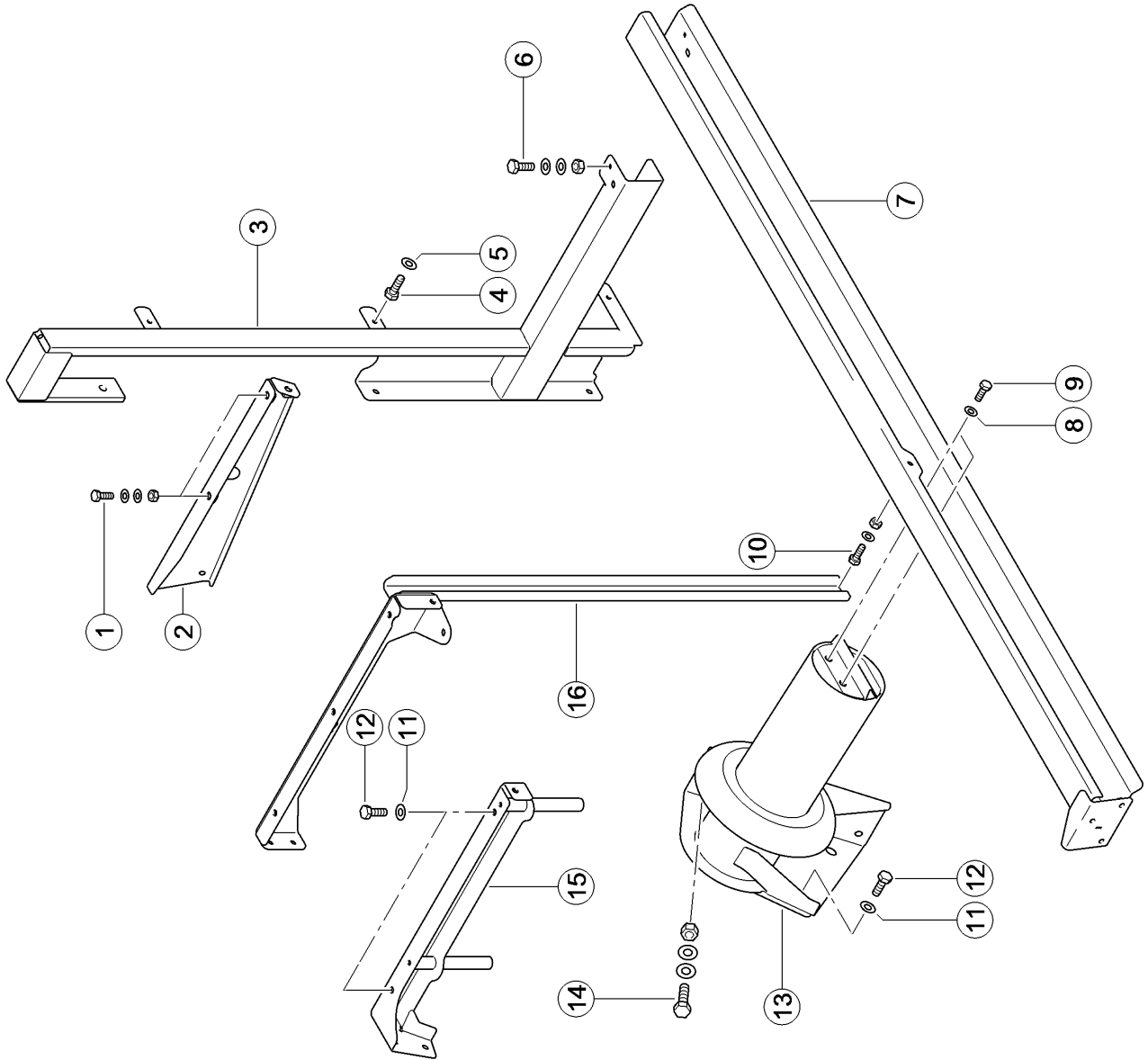
2800 long

8) CCN

CCN-B043	fuel level sensor
----------	-------------------

100 FUEL TANK 1)

9) Remarks	with item 14 - 20
10) Remarks	1290 long

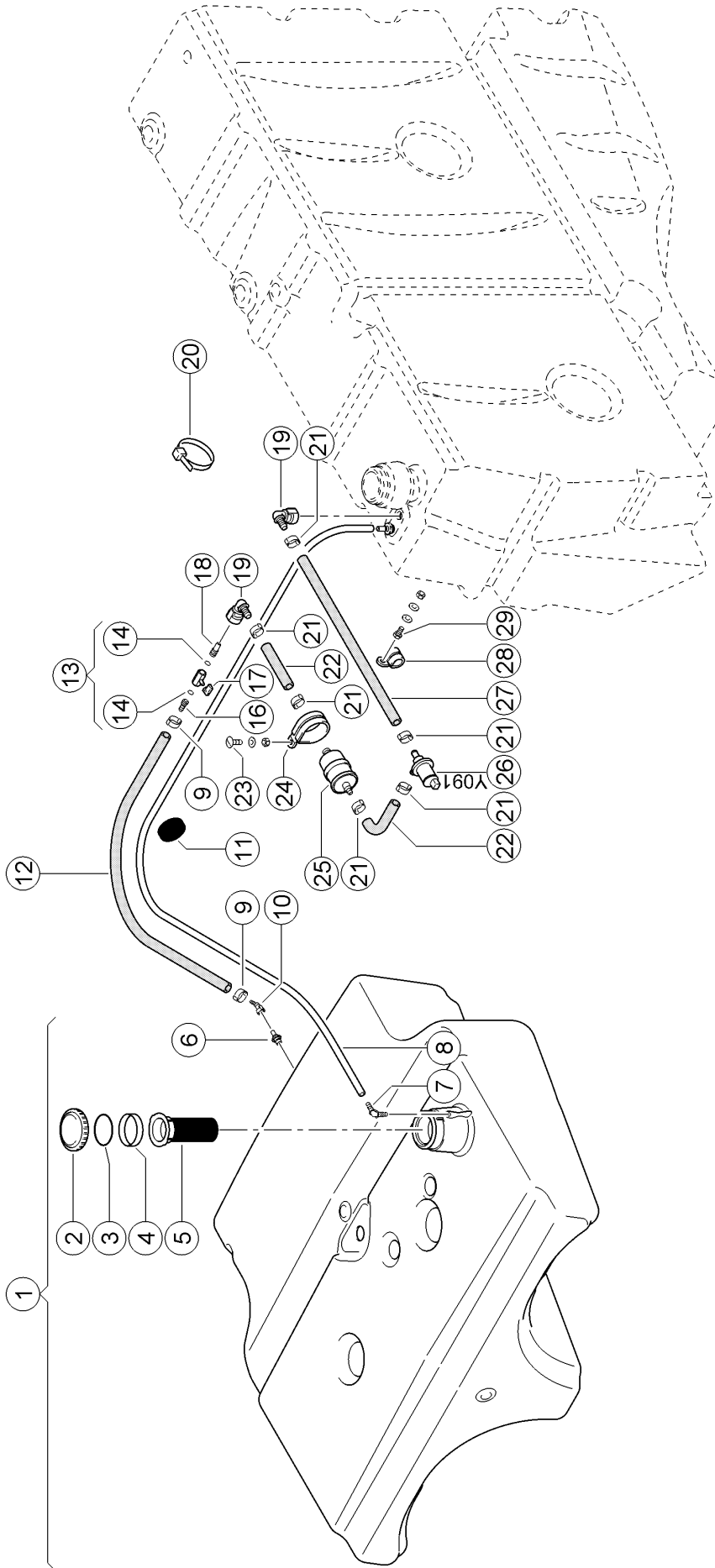


100 FUEL TANK 1)

Pos.	Part No.	Description	Dimension	Quantity	Conditions
1	00 0237 370 0	HEXAGON HEAD BOLT	M8X30	2	
1	00 0239 387 0	CONTACT WASHER	A8-8,2X18X1,4	4	
1	00 0236 170 0	HEXAGONAL NUT	M8	2	
2	00 0794 842 2	FASTENER	1700	1	
3	00 0794 858 4	SUPPORT	1700	1	
4	00 0237 453 0	HEXAGON HEAD BOLT	M10X30	3	
5	00 0239 388 0	CONTACT WASHER	A10-10,2X22,25X1,6	3	
6	00 0237 453 0	HEXAGON HEAD BOLT	M10X30	1	
6	00 0239 388 0	CONTACT WASHER	A10-10,2X22,25X1,6	2	
6	00 0236 171 0	HEXAGONAL NUT	M10	1	
7	00 0794 855 1	SUPPORT		1	
8	00 0239 387 0	CONTACT WASHER	A8-8,2X18X1,4	2	
9	00 0237 439 0	HEXAGON HEAD BOLT	M8X16	2	
10	00 0237 439 0	HEXAGON HEAD BOLT	M8X16	3	
10	00 0239 387 0	CONTACT WASHER	A8-8,2X18X1,4	4	
10	00 0236 170 0	HEXAGONAL NUT	M8	1	
11	00 0239 388 0	CONTACT WASHER	A10-10,2X22,25X1,6	2	
12	00 0237 453 0	HEXAGON HEAD BOLT	M10X30	2	
13	00 0794 854 1	MAIN FRAME	1700	1	
14	00 0237 461 0	HEXAGON HEAD BOLT	M12X30	4	
14	00 0239 387 0	CONTACT WASHER	A8-8,2X18X1,4	8	
14	00 0236 172 0	HEXAGONAL NUT	M12	4	
15	00 0794 856 2	SUPPORT	1700 / 800 LTR	1	
16	00 0794 857 1	SUPPORT	1700	1	

1) EquipmentMD_P14_0080
MD_P14_0115Fuel tank 800 litres
Fuel tank 1150 litres

E0176 0125A110A 1



110 ADITIONAL FUEL TANK 1)

Pos.	Part No.	Description	Dimension	Quantity	Conditions
1	00 0794 919 0	ADDITIONAL TANK	350 LITER	1	
2	00 0217 508 0	CAP	DV 80 GL OHNE LÜFTUNG	1	
3	00 0211 701 0	O-RING	91,67X3,53-N	1	
4	00 0038 915 0	SOCKET	SV 80 B/40	1	
5	00 0736 238 0	TANK FILTER		1	
6	00 0783 647 1	ADAPTER		1	
7	00 0217 502 0	SCREWING	WN 6 X 90 GRAD	1	
8	00 0202 240 0	HOSE	A 6X10	2	
8	00 0217 501 0	CONNECTOR	NQS 1/2" - 6 X 90 GRAD	4	
9	00 0238 269 0	2-EAR-CLAMP	15-18	2	
10	00 0217 500 0	CONNECTOR	NQS 1/2" -10 X 45 GRAD	1	
11	00 0215 409 0	GROMMET	C 10-18X30X1,5	2	
12	00 0217 524 0	HOSE	20M ROLLE-B 11X3,5	1	
13	00 0794 419 0	BALL-TYPE TAP	F. Z-TANK 350LTR.	1	2)
14	00 0216 366 0	O-RING	10,50X1,5 NBR80	2	
16	00 0783 650 1	HOSE SUPPORT		1	
17	00 0783 658 0	ANTI-ROTAT. LOCK	FUER 3/8" KUGELHAHN	1	
18	00 0783 644 1	ADAPTOR	G3/8" - 1/2" SAE J 20441		
19	00 0798 863 0	CONNECTOR	NORMAQUICK S NW 1/2"-10-	2	
20	00 0237 871 0	CABLE TIE	4,8X188X1,3	2	
21	00 0238 269 0	2-EAR-CLAMP	15-18	6	
22	00 0217 524 0	HOSE	20M ROLLE-B 11X3,5	0	
23	00 0610 099 1	COACH BOLT	M 8X 25	1	
23	00 0239 387 0	CONTACT WASHER	A8-8,2X18X1,4	1	
23	00 0236 170 0	HEXAGONAL NUT	M8	1	
24	00 0214 045 0	PIPE CLAMP	D1-47X20	1	
25	00 0783 662 0	CHANGEABLE FILTER		1	
26	00 0755 465 0	SHUT OFF VALVE		1	3)
27	00 0217 524 0	HOSE	20M ROLLE-B 11X3,5	0	
28	00 0215 612 0	PIPE CLAMP	D1-17X20	1	
29	00 0237 439 0	HEXAGON HEAD BOLT	M8X16	1	
29	00 0239 387 0	CONTACT WASHER	A8-8,2X18X1,4	2	
29	00 0236 170 0	HEXAGONAL NUT	M8	1	

1) Equipment

MD_P14_0115

Fuel tank 1150 litres

2) Remarks

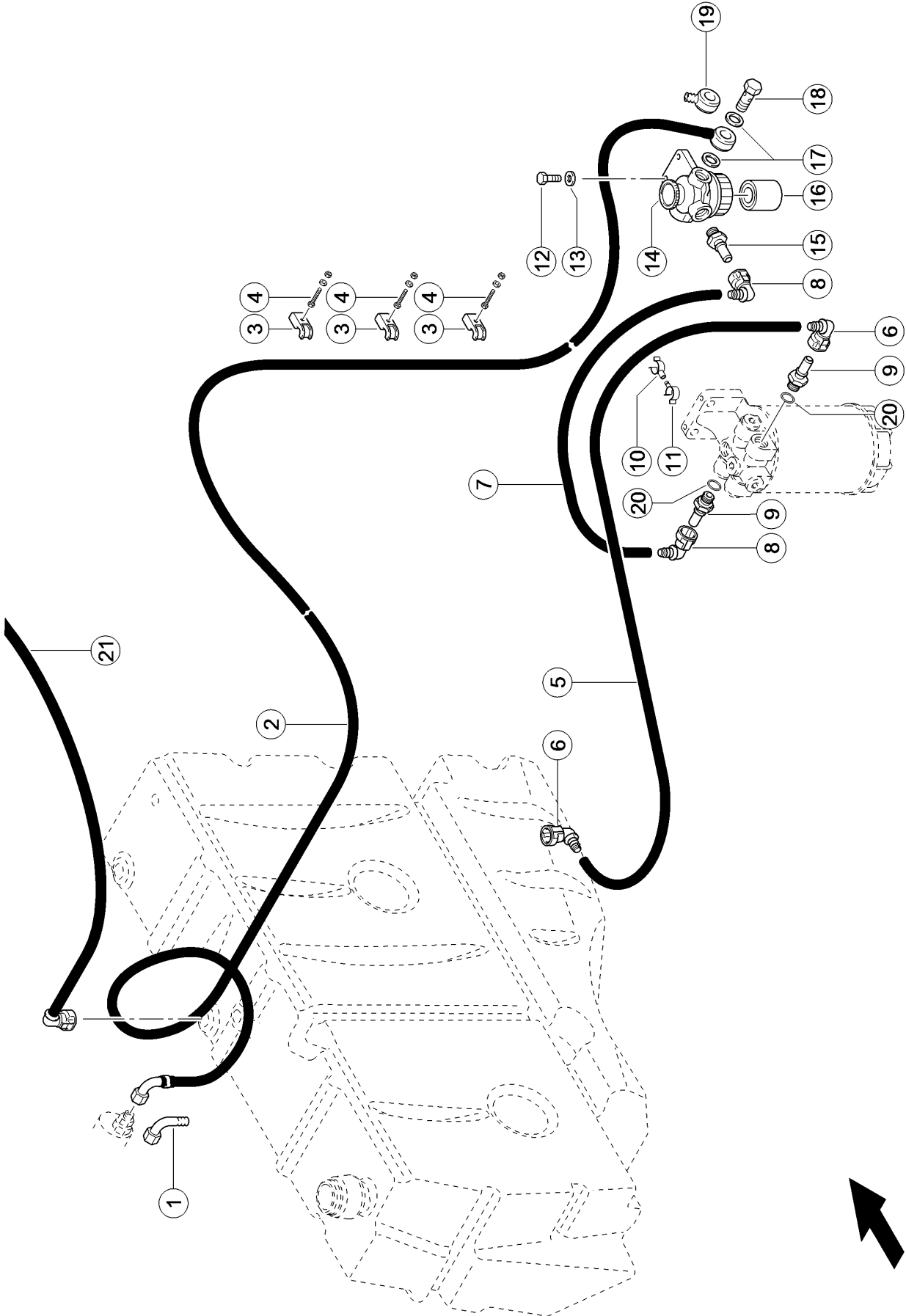
with item 14 - 18

3) CCN

CCN-Y091

additional fuel tank solenoid coil

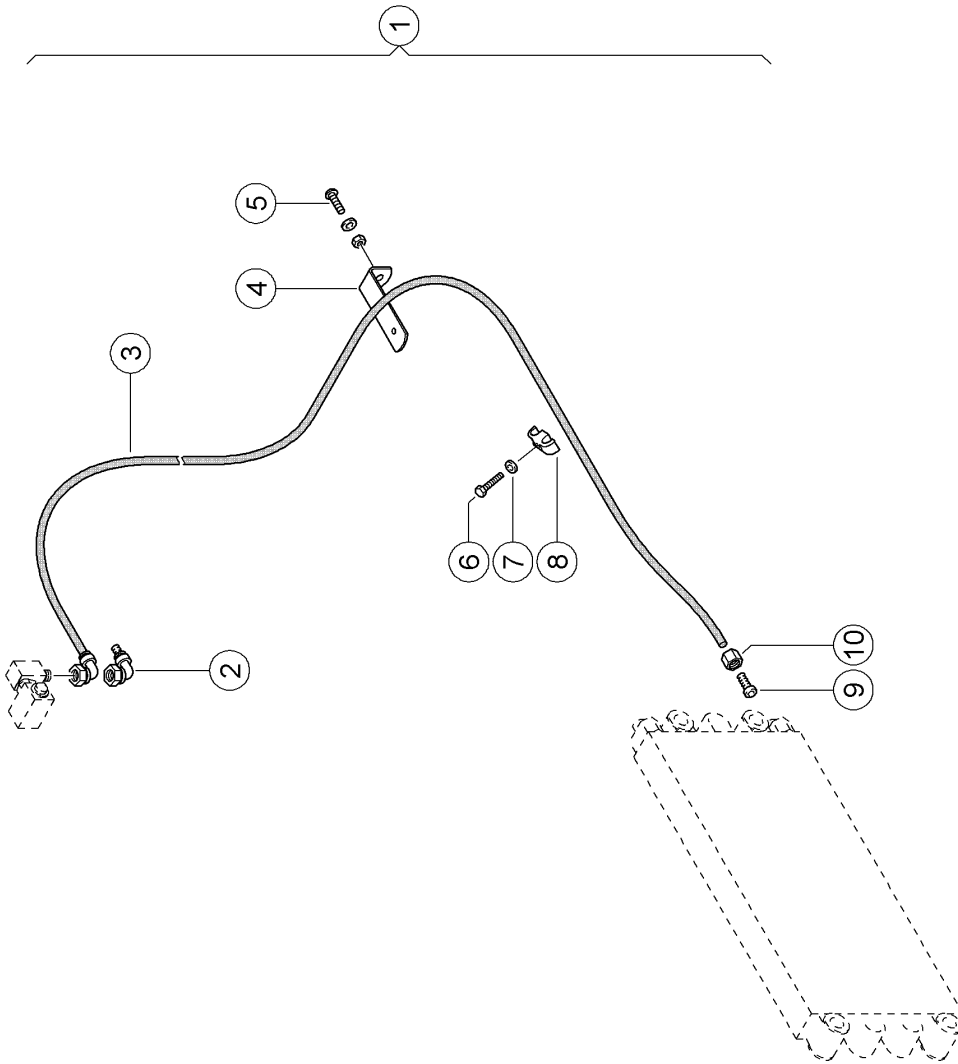
E0176 0125A140A 1



140 FUEL PIPES

Pos.	Part No.	Description	Dimension	Quantity	Conditions
1	00 0796 209 0	CONNECTION	W.ERS.D.7962091	1	
2	00 0743 680 1	FUEL PIPE	12,5X1,25X3340	1	1)
2	00 0136 559 0	TUBE	12,5X1,25X10000	1	2)
3	00 0798 856 0	CLAMP	A 12	3	
4	00 0235 505 0	HEXAGON HEAD BOLT	M06X30	3	
4	00 0239 386 0	CONTACT WASHER	A 6	3	
4	00 0236 169 0	HEXAGONAL NUT	M6	3	
5	00 0799 121 1	FUEL PIPE	TANK-FILTER	1	
6	00 0798 863 0	CONNECTOR	NORMAQUICK S NW	2	
7	00 0799 127 0	FUEL PIPE	1/2"-10- FILTER-PUMPE	1	
8	00 0798 863 0	CONNECTOR	NORMAQUICK S NW	2	
9	00 0798 664 0	ADAPTER	1/2"-10- M16X1,5 / 1/2" SAE J 204	2	3)
9	00 0798 652 1	ADAPTER	DN 12 - F-M22X1,5	2	4)
10	00 0796 375 0	PIPE BRACKET	D 11	1	
11	00 0796 374 0	PIPE BRACKET	D 11	1	
12	00 0236 200 0	HEXAGON HEAD BOLT	M8X20	2	
13	00 0239 393 1	CONTACT WASHER	B 8 -8.2X22X1,9	2	
14	00 0068 665 0	HAND PUMP	H11K06 M16X1,5	1	5)
14	00 0077 446 0	SEALING RING	F. H11 K02	1	
14	00 0077 447 0	INSPECTION GLASS		1	
15	00 0798 664 0	ADAPTER	M16X1,5 / 1/2" SAE J 204	1	
15	00 0215 922 0	O-RING	19,3X2,2-N	1	
16	00 0077 445 0	FILTER ELEMENT		1	
17	00 0216 465 0	SEALING RING	D 16X22	2	
18	00 0096 030 0	HOLLOW SCREW	12 - M16X1,5 (12-3 ZULÄS	1	
19	00 0215 562 0	CONNECTION	R16-10	1	
20	00 0215 922 0	O-RING	19,3X2,2-N	2	
21	00 0799 909 0	FUEL PIPE	MOTOR-TANK LG 1940	1	

1) Remarks		with item 1 + 19
2) Remarks		3340 mm long
3) Equipment	MD_P02_0220 MD_P02_0221 MD_P02_1220 MD_P02_1221	Mercedes OM502 engine (EWG348kW/ECE330kW) without air compre Mercedes OM502 engine (EWG348kW/ECE330kW) with air compresso 1220_OM502 EWG348kW/ECE330kW 1221_OM502K EWG348kW/ECE330kW
4) Equipment	MD_P06_0010	Additional fuel filter
5) Remarks		with Item 16



140 FUEL PIPES

Pos.	Part No.	Description	Dimension	Quantity	Conditions
1	00 0799 909 0	FUEL PIPE	MOTOR-TANK LG 1940	1	1)
2	00 0798 863 0	CONNECTOR	NORMAQUICK S NW 1/2"-10-	1	
3	00 0136 559 0	TUBE	12,5X1,25X10000	1	2)
4	00 0713 846 0	SUPPORT ANGLE	25X5X82	1	
5	00 0237 442 0	HEXAGON HEAD BOLT	M8X25	1	
5	00 0239 387 0	CONTACT WASHER	A8-8,2X18X1,4	1	
5	00 0236 170 0	HEXAGONAL NUT	M8	1	
6	00 0238 094 0	HEXAGON HEAD BOLT	M06X25	2	
7	00 0239 386 0	CONTACT WASHER	A 6	2	
8	00 0723 501 0	DOUBLE CLAMP	B 12	2	
9	00 0068 688 1	CONNECTION	M18X1,5-10	1	
10	00 0216 364 0	UNION NUT	BLL12	1	
1)	Remarks	with Item 2, 3, 9, 10			
2)	Remarks	1940 mm long			

Thank you so much for reading.
Please click the “Buy Now!”
button below to download the
complete manual.



After you pay.

You can download the most
perfect and complete manual in
the world immediately.

Our support email:

ebooklibonline@outlook.com