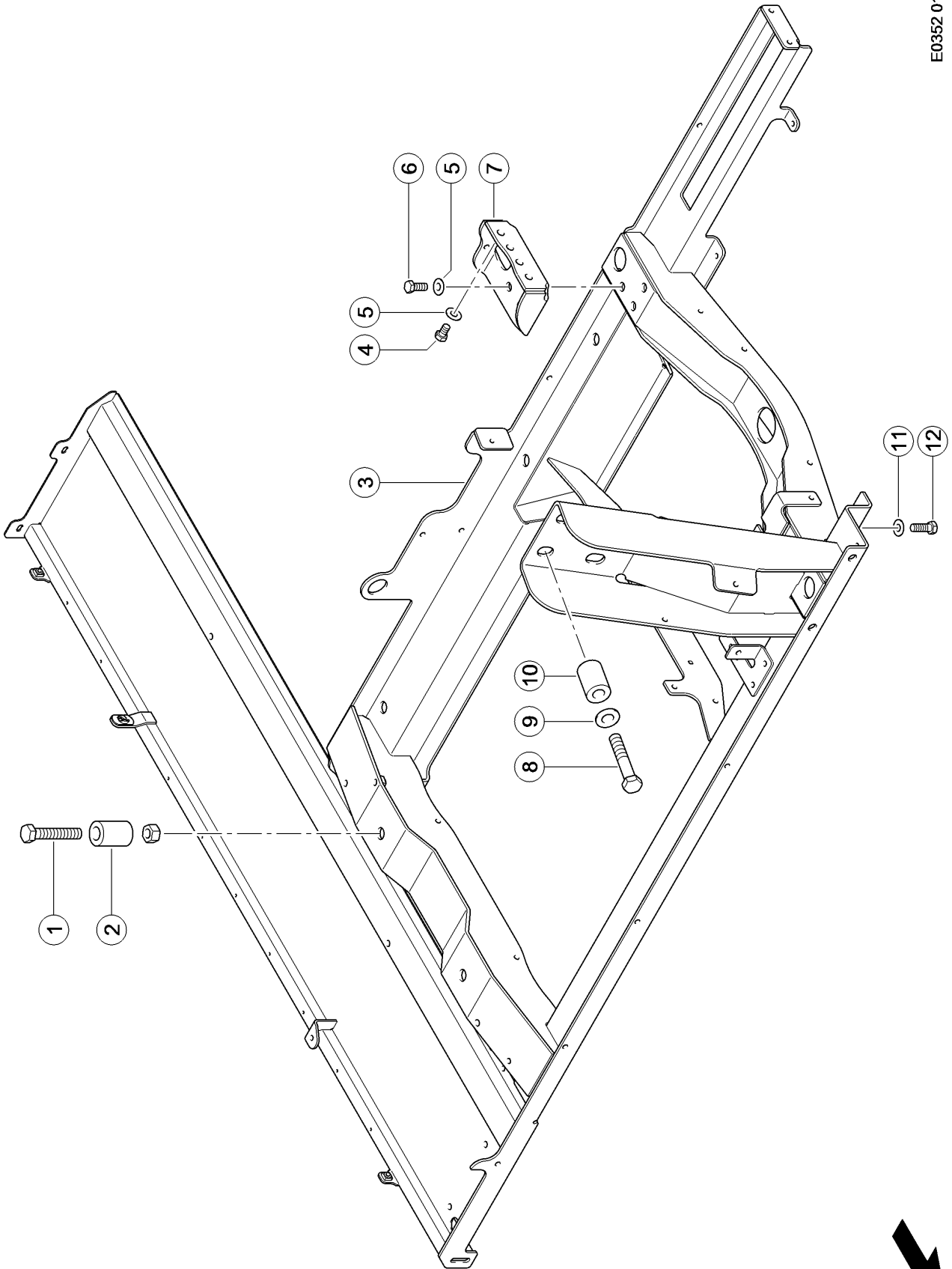


E0352 0105A100B 1



100 ENGINE SUSPENSION 1)

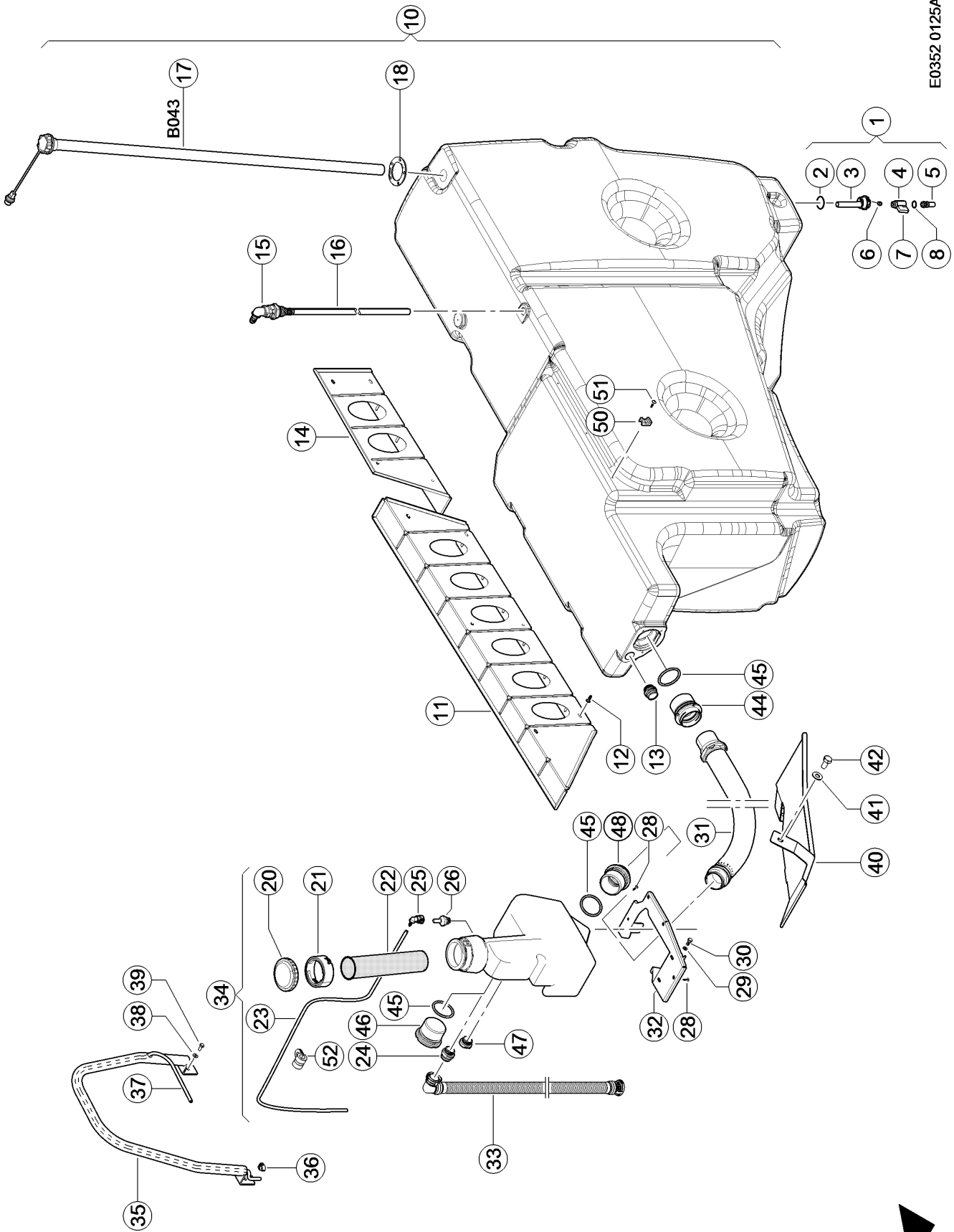
Pos.	Part No.	Description	Dimension	Quantity	Conditions
1	00 0211 573 0	HEXAGON HEAD BOLT	M18-100	2	
1	00 0212 191 0	CONTACT WASHER	A20	2	
1	00 0242 848 0	HEXAGONAL NUT	M18	2	
2	00 0796 231 0	BUSHING	D42D20.5X62	2	
3	00 0799 383 3	ENGINE MOUNTING		1	
4	00 0237 458 0	HEXAGON HEAD BOLT	M12X20	4	
5	00 0239 389 0	CONTACT WASHER	A12	4	
6	00 0237 461 0	HEXAGON HEAD BOLT	M12X30	4	
7	00 0239 389 0	CONTACT WASHER	A12	4	
8	00 0799 297 0	SUPPORT	6X171,6X271,6	1	
9	00 0215 631 0	HEXAGON HEAD BOLT	3/4-10UNC-2AX4 1/2	4	
10	00 0212 191 0	CONTACT WASHER	A20	4	
11	00 0796 231 0	BUSHING	D42D20.5X62	4	
12	00 0239 389 0	CONTACT WASHER	A12	1	
13	00 0211 465 0	HEX.HEAD BOLT	1/2-13UNC-2AX1 1/2	1	
14	00 0236 230 0	HEXAGON HEAD BOLT	M16X35	6	
14	00 0239 415 0	HEXAGON HEAD BOLT	M16X85	2	
15	00 0239 391 0	CONTACT WASHER	A16	8	
16	00 0796 273 0	BUSHING	D32/D18X50	2	

1) Equipment

MD_P02_0255

C13K R120 345/385 kW T3

E0352 0125A100A 1



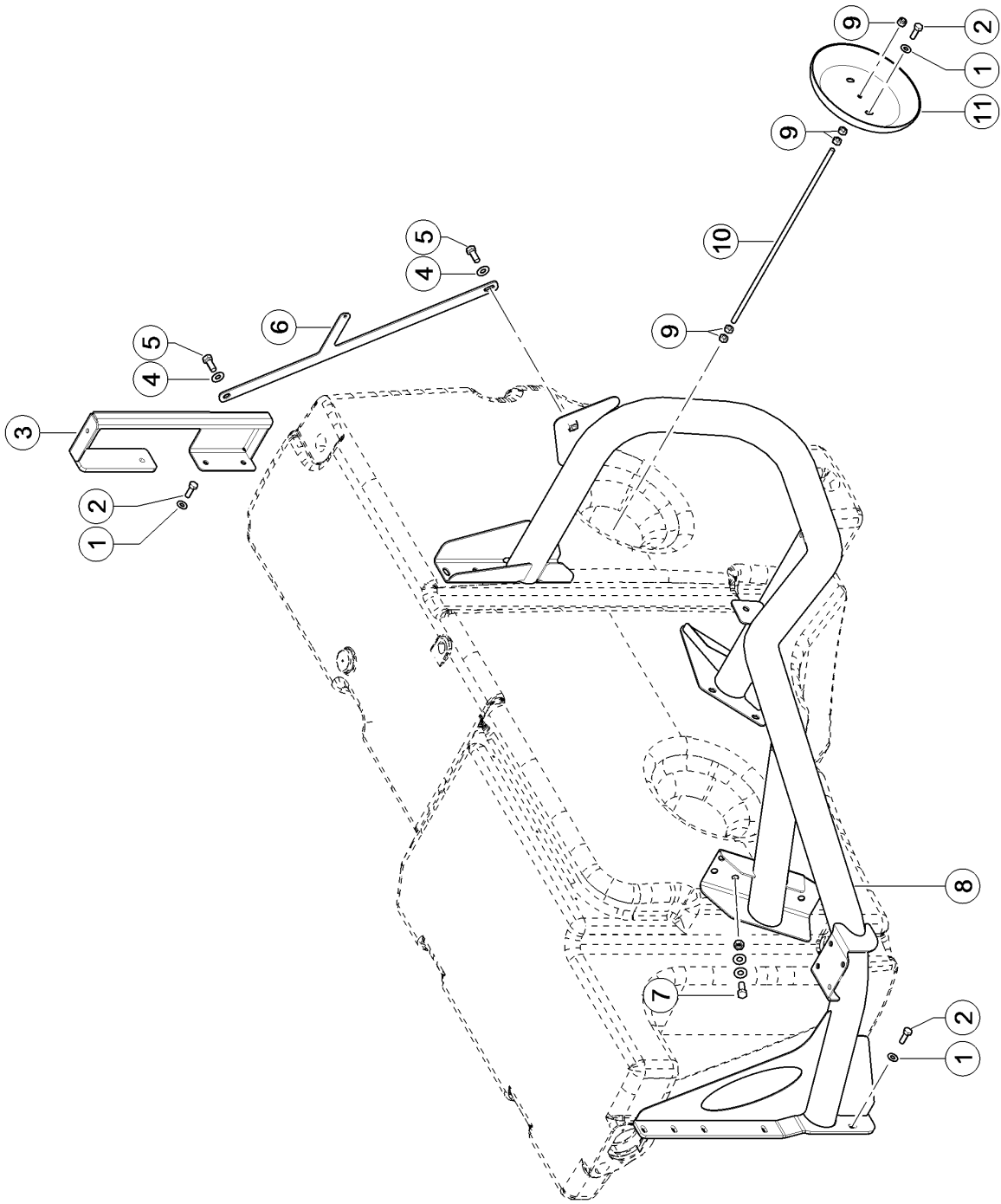
100 FUEL TANK

Pos.	Part No.	Description	Dimension	Quantity	Conditions
1	00 0794 414 1	CONNECTION	MIT W.ABLAS ; KUGELH. ;	1	1)
2	00 0217 459 1	O-RING	27X4,0 -N	1	
3	00 0783 643 1	PLUG	WASSER + G3/8"	1	
4	00 0783 652 0	BALL-TYPE TAP	DN8-I-G3/8XA-G3/8	1	
5	00 0783 644 1	ADAPTOR	G3/8"- 1/2" SAE J 20441		
6	00 0687 625 1	HEXAGON HEAD BOLT	M8X17 F. TANK	1	
7	00 0783 658 0	ANTI-ROTAT. LOCK	WASSERABLA FUER 3/8" KUGELHAHN	1	
8	00 0216 366 0	O-RING	10,50X1,5 NBR80	1	
10	00 1802 622 5	FUEL TANK	800 LTR.	1	2)
11	00 0505 467 2	BELT PROTECTOR	1,5X575X1433,6	1	
12	00 0217 504 0	SCREW	K60X20-T25-WN1451	10	
13	00 1802 724 0	SOCKET		1	
14	00 0505 466 2	BELT PROTECTOR	1,5X434.1X678,3	1	
15	00 0783 649 1	ADAPTER		1	
16	00 0136 559 0	TUBE	12,5X1,25X10000	1	3)
17	00 0016 596 3	LEVEL INDICATOR	L=1320MM	1	4)
17	00 0783 653 0	PT SCREW	6ST 4X40	1	
18	00 0794 993 0	GASKET	VORRATSGEBER	1	
20	00 0217 508 0	CAP	DV 80 GL OHNE LÜFTUNG	1	
20	00 0177 621 0	CAP	D80 BELUEFTET, ABSCHLIES	1	5)
21	00 0038 915 0	SOCKET	SV 80 B/40	1	
22	00 0736 238 0	TANK FILTER		1	
23	00 0202 240 0	HOSE	A 6X10	2	6)
24	00 1802 724 0	SOCKET		1	
25	00 0217 501 0	CONNECTOR	NQS 1/2" - 6 X 90 GRAD	1	
26	00 0794 417 2	VENTILATION		1	
28	00 0475 169 0	SCREW	80X25-IP40-WN5451	12	
29	00 0239 388 0	CONTACT WASHER	A10-10,2X22,25X1,6	1	
30	00 0237 383 0	HEXAGON HEAD BOLT	M10X25	1	
31	00 1805 060 3	FILLER TUBE	FUER HAUPTTANK	1	
32	00 0505 448 2	SUPPORTING PLATE	192,5X239X388	1	
33	00 0505 574 2	HOSE	FUER H-TANK	1	
33	00 0783 669 0	CONNECTOR	0°	1	
33	00 0783 670 0	CONNECTOR	90°	1	
34	00 0505 881 5	FILLER HEAD		1	7)
35	00 1804 176 1	BRACKET		1	
36	00 0013 154 0	CABLE CLAMP	NW 8,5	1	
37	00 0202 240 0	HOSE	A 6X10	2	8)
38	00 0239 387 0	CONTACT WASHER	A8-8,2X18X1,4	2	
39	00 0236 200 0	HEXAGON HEAD BOLT	M8X20	2	
40	00 1804 243 1	GUARD		1	
40	00 0200 706 0	EDGE PROTECTOR	10X14,5X3,5	1	9)
41	00 0239 388 0	CONTACT WASHER	A10-10,2X22,25X1,6	3	
42	00 0237 382 0	HEXAGON HEAD BOLT	M10X20	3	
44	00 1805 014 2	CLUTCH	D90X73,3	1	
45	00 0505 956 1	O-RING	68,7 X 6	3	
46	00 1804 006 3	CLUTCH	PS3-NW50-M76X6	1	10)
46	00 1805 014 2	CLUTCH	D90X73,3	1	11)
47	00 0217 912 0	BLIND PLUG	NQ V2-NW27	1	12)

100 FUEL TANK

Pos.	Part No.	Description	Dimension	Quantity	Conditions
47	00 1802 723 0	BLIND PLUG		1	13)
48	00 1804 006 3	CLUTCH	PS3-NW50-M76X6	1	10)
48	00 1805 014 2	CLUTCH	D90X73,3	1	11)
50	00 1804 166 0	SUPPORT	10X16X23	4	
51	00 1116 932 0	PT SCREW	K50X16-T20-WN1451	4	
52	00 0217 507 0	PIPE BRACKET	NW 7,5	3	
1)	Remarks		with Item 2 - 8		
2)	Remarks		with Item 1, 11 - 18, 44 - 45		
3)	Remarks		1290mm long		
4)	CCN	CCN-B043	fuel level sensor without 783 653.0		
5)	Remarks		As per requirement.		
6)	Remarks		1500 mm		
7)	Equipment	MD_P14_0115	Fuel tank 1150 litres with Item 20 - 22, 24, 26, 32, 46 - 48		
8)	Remarks		1600 mm long		
9)	Remarks		450 mm long		
10)	Equipment	MD_P14_0115	Fuel tank 1150 litres + from 57200015		
	machine no.				
11)	Equipment	MD_P14_0115	Fuel tank 1150 litres + up to 57200014		
	machine no.				
12)	machine no.		+ from 57200015		
13)	machine no.		+ up to 57200014		

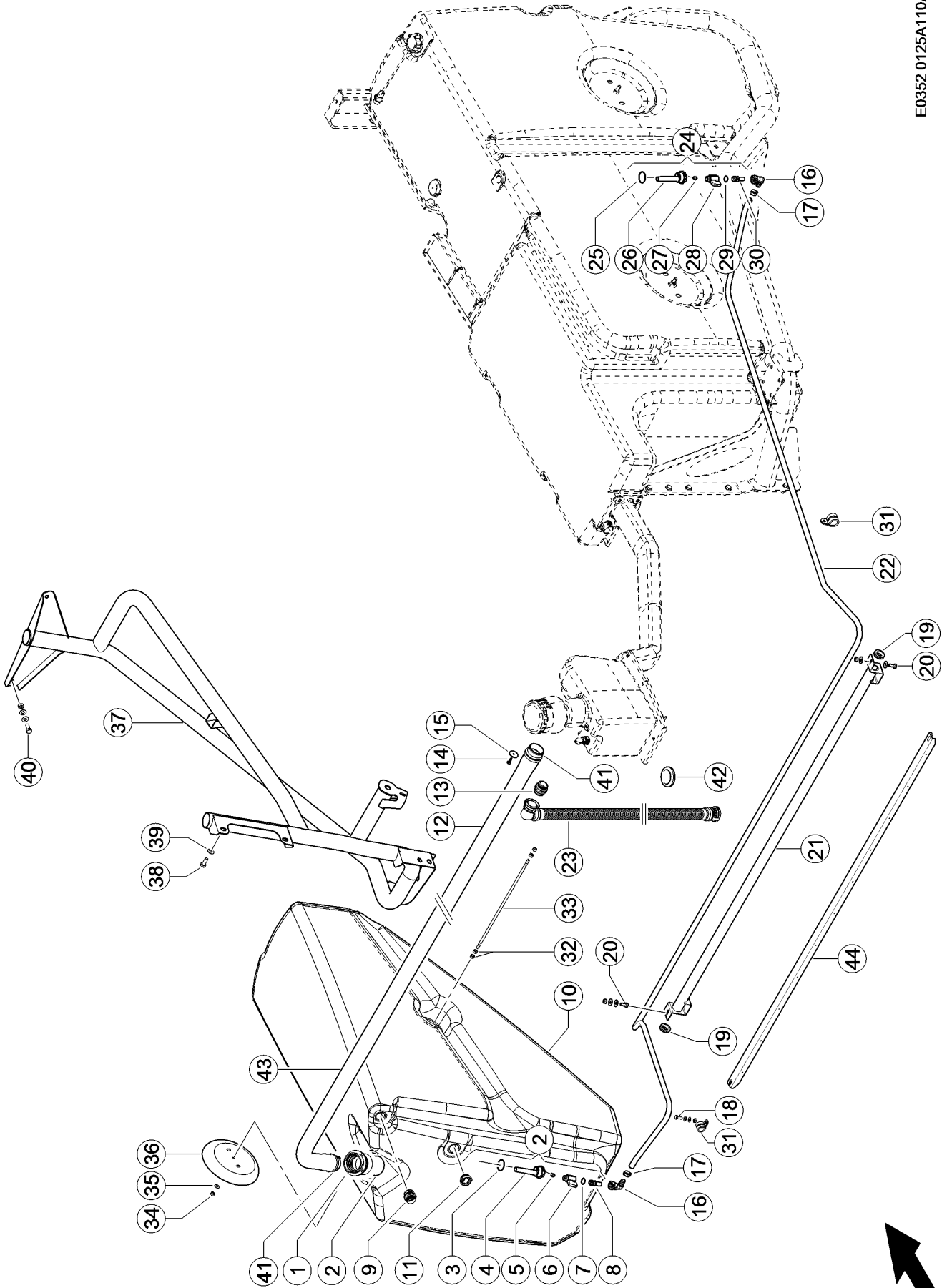
E0352 0125A100A 2



100 FUEL TANK

Pos.	Part No.	Description	Dimension	Quantity	Conditions
1	00 0239 388 0	CONTACT WASHER	A10-10,2X22,25X1,6	14	
2	00 0237 453 0	HEXAGON HEAD BOLT	M10X30	14	
3	00 1802 739 3	SUPPORT		1	
4	00 0239 389 0	CONTACT WASHER	A12	2	
5	00 0237 461 0	HEXAGON HEAD BOLT	M12X30	2	
6	00 1802 746 3	BRACE	4X153,5X655,3	1	
7	00 0237 461 0	HEXAGON HEAD BOLT	M12X30	3	
7	00 0239 389 0	CONTACT WASHER	A12	6	
7	00 0236 172 0	HEXAGONAL NUT	M12	3	
8	00 1802 661 2	TANK SUPPORT	800 LTR	1	
9	00 0236 171 0	HEXAGONAL NUT	M10	10	
10	00 0505 944 0	THREADED ROD	M10X530	2	
11	00 0548 224 1	WASHER		2	

E0352 0125A110A 1

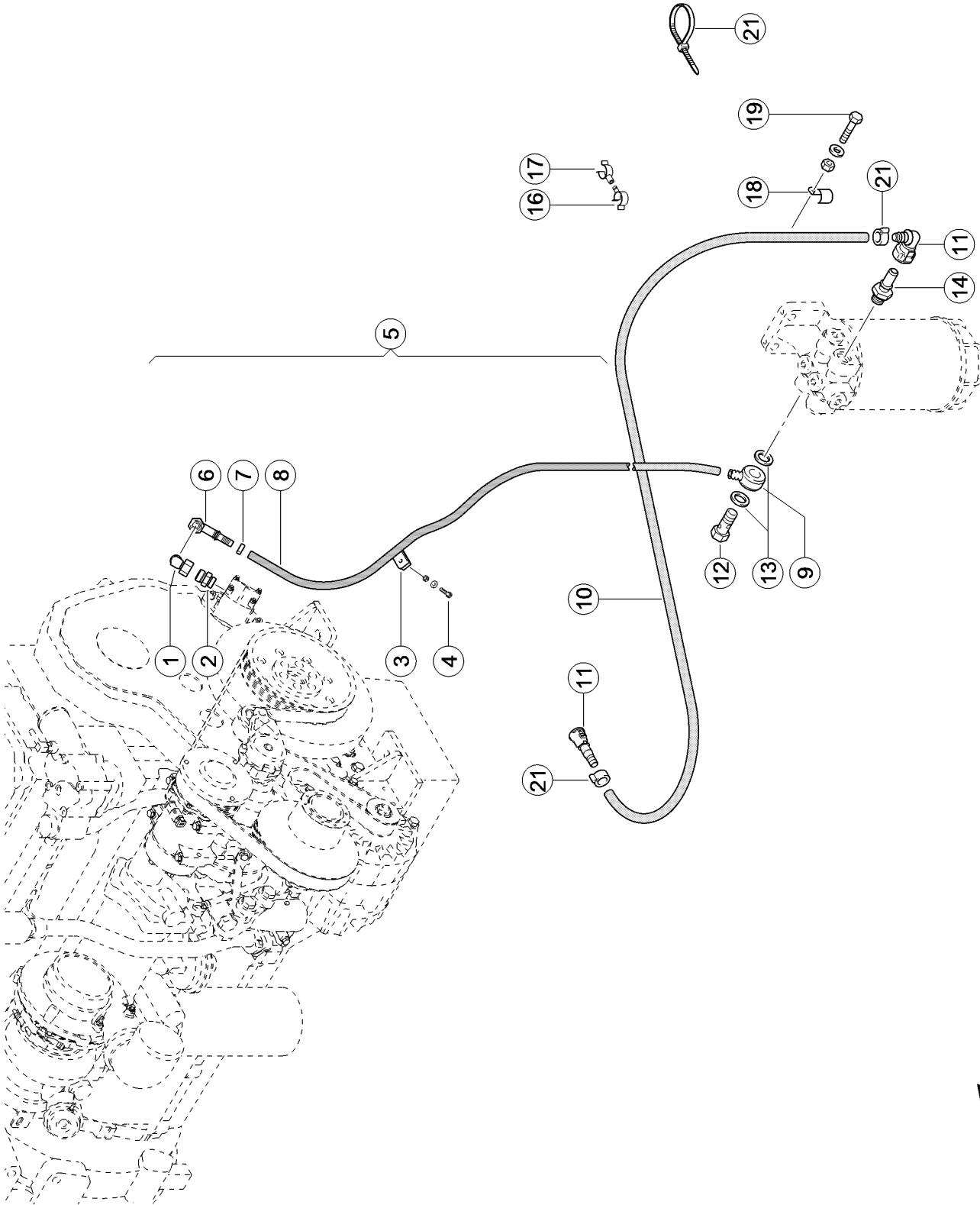


110 ADITIONAL FUEL TANK 1)

Pos.	Part No.	Description	Dimension	Quantity	Conditions
1	00 1804 006 3	CLUTCH	PS3-NW50-M76X6	1	2)
1	00 1805 150 0	CLUTCH		1	3)
1	00 1805 151 0	BRACKET	NQ PS3 NW5	1	4)
1	00 1805 152 0	O-RING	VERRIEGELUNG 56X4 VITON 60	1	4)
2	00 0505 956 1	O-RING	68,7 X 6	1	
3	00 0217 459 1	O-RING	27X4,0 -N	1	
4	00 0783 643 1	PLUG	WASSER + G3/8"	1	
5	00 0687 625 1	HEXAGON HEAD BOLT	M8X17 F. TANK	1	
6	00 0783 652 0	BALL-TYPE TAP	WASSERABLA DN8-I-G3/8XA-G3/8	1	
7	00 0216 366 0	O-RING	10,50X1,5 NBR80	1	
8	00 0783 644 1	ADAPTOR	G3/8"- 1/2" SAE J 2044	1	
9	00 1802 724 0	SOCKET		1	
10	00 1804 334 4	ADDITIONAL TANK		1	5)
11	00 0238 995 1	PLUG	D46,0-F	2	
12	00 1805 028 1	FILLER TUBE	D58X2230	1	
13	00 1802 724 0	SOCKET		1	
14	00 0217 504 0	SCREW	K60X20-T25-WN1451	3	
15	00 0236 823 0	WASHER	6,5X30X3	3	
16	00 0798 863 0	CONNECTOR	NORMAQUICK S NW	2	
17	00 0216 413 0	1-EAR-CLAMP	1/2"-10- 16-18	2	6)
17	00 0238 269 0	2-EAR-CLAMP	15-18	2	7)
18	00 0236 200 0	HEXAGON HEAD BOLT	M8X20	3	
18	00 0239 387 0	CONTACT WASHER	A8-8,2X18X1,4	3	
18	00 0236 170 0	HEXAGONAL NUT	M8	3	
19	00 0238 250 0	GROMMET	A 24X30X3,5	2	7)
20	00 0236 200 0	HEXAGON HEAD BOLT	M8X20	2	
20	00 0239 393 1	CONTACT WASHER	B 8 -8.2X22X1,9	4	
20	00 0236 170 0	HEXAGONAL NUT	M8	2	
21	00 0505 868 1	TUBE	1700 HYB	1	7)
22	00 0205 524 2	HOSE	11X3,5 ROLLE, LSN	1	8)
23	00 0505 705 4	HOSE	NOTWEN	1	
25	00 0217 459 1	O-RING	27X4,0 -N	1	
26	00 0783 643 1	PLUG	WASSER + G3/8"	1	
27	00 0687 625 1	HEXAGON HEAD BOLT	M8X17 F. TANK	1	
28	00 0783 652 0	BALL-TYPE TAP	WASSERABLA DN8-I-G3/8XA-G3/8	1	
29	00 0216 366 0	O-RING	10,50X1,5 NBR80	1	
30	00 0783 644 1	ADAPTOR	G3/8"- 1/2" SAE J 2044	1	
31	00 0216 156 0	PIPE CLAMP	D1-19X20	4	
32	00 0236 171 0	HEXAGONAL NUT	M10	4	
33	00 1805 531 0	THREADED ROD	M10X485	1	
34	00 0238 316 0	LOCK NUT	M10	1	
35	00 0239 394 1	CONTACT WASHER	B10	1	
36	00 0548 224 1	WASHER		1	
37	00 1804 335 2	SUPPORT TUBE		1	
38	00 0237 383 0	HEXAGON HEAD BOLT	M10X25	5	
39	00 0239 388 0	CONTACT WASHER	A10-10,2X22,25X1,6	5	
40	00 0237 383 0	HEXAGON HEAD BOLT	M10X25	2	
40	00 0239 388 0	CONTACT WASHER	A10-10,2X22,25X1,6	2	
40	00 0236 171 0	HEXAGONAL NUT	M10	2	

110 ADITIONAL FUEL TANK 1)

Pos.	Part No.	Description	Dimension	Quantity	Conditions
41	00 1805 023 2	SOCKET	D71X72 NORMA PS3 /WELLRO	2	7)
42	00 0214 039 1	CABLE RING	A 40X49X4	2	
43	00 1805 038 3	FILLER TUBE	FUER 1700	1	9)
44	00 1815 971 0	SUPPORT	ZUSATZTANK 2X90,9X1780	1	6)
1)	Equipment	MD_P14_0115	Fuel tank 1150 litres		
2)	machine no.		+ from 57200015 with Item 2		
3)	machine no.		+ up to 57200014 with Item 2		
4)	machine no.		+ from 57200011		
5)	Remarks		with Item 1, 2, 13		
6)	machine no.		+ from 57200015		
7)	machine no.		+ up to 57200014		
8)	Remarks		4770 mm long		
9)	Remarks		with Item 41		



140 FUEL PIPES 1)

Pos.	Part No.	Description	Dimension	Quantity	Conditions
1	00 0249 836 0	ANGULAR MALE CONNECTOR	SWOE-L15	1	
2	00 0239 037 0	TIE-IN UNION	SDS-L15X3/4-16UNF-2A-TYP	1	
3	00 0798 856 0	CLAMP	A 12	2	
4	00 0235 341 0	COACH BOLT	M 6X30	2	
4	00 0239 386 0	CONTACT WASHER	A 6	2	
4	00 0236 169 0	HEXAGONAL NUT	M6	2	
5	00 0781 426 0	FUEL PIPE	15X1,5X2610	1	2)
6	00 0796 220 1	CONNECTION	SWE90-L15-12 (N90-M22X1, 15-18	1	
7	00 0238 269 0	2-EAR-CLAMP	15 X1,5X10000	1	3)
8	00 0136 591 0	PLASTIC TUBE	R16-12	1	
9	00 0216 458 0	CONNECTION	11X3,5 ROLLE, LSN	1	4)
10	00 0205 524 2	HOSE	NOTWEN		
11	00 0798 863 0	CONNECTOR	NORMAQUICK S NW 1/2"-10-	1	
12	00 0096 030 0	HOLLOW SCREW	12 - M16X1,5 (12-3 ZULÄS	1	
13	00 0216 465 0	SEALING RING	D 16X22	2	
14	00 0798 652 1	ADAPTER	DN 12 - F-M22X1,5	1	
16	00 0796 374 0	PIPE BRACKET	D 11	1	
17	00 0796 375 0	PIPE BRACKET	D 11	1	
18	00 0715 242 0	CLAMP	A 15	4	
19	00 0244 413 0	HEXAGON HEAD BOLT	M 6X35	4	
19	00 0239 386 0	CONTACT WASHER	A 6	4	
19	00 0236 169 0	HEXAGONAL NUT	M6	1	
20	00 0798 225 0	CONNECTION	NW 5/8"-1/2", 0°	1	
21	00 0408 552 2	HOSE CLAMP	A-12-22X9	2	
22	00 0237 871 0	CABLE TIE	4,8X188X1,3	1	

1) Equipment

MD_P02_0255

C13K R120 345/385 kW T3

2) Remarks

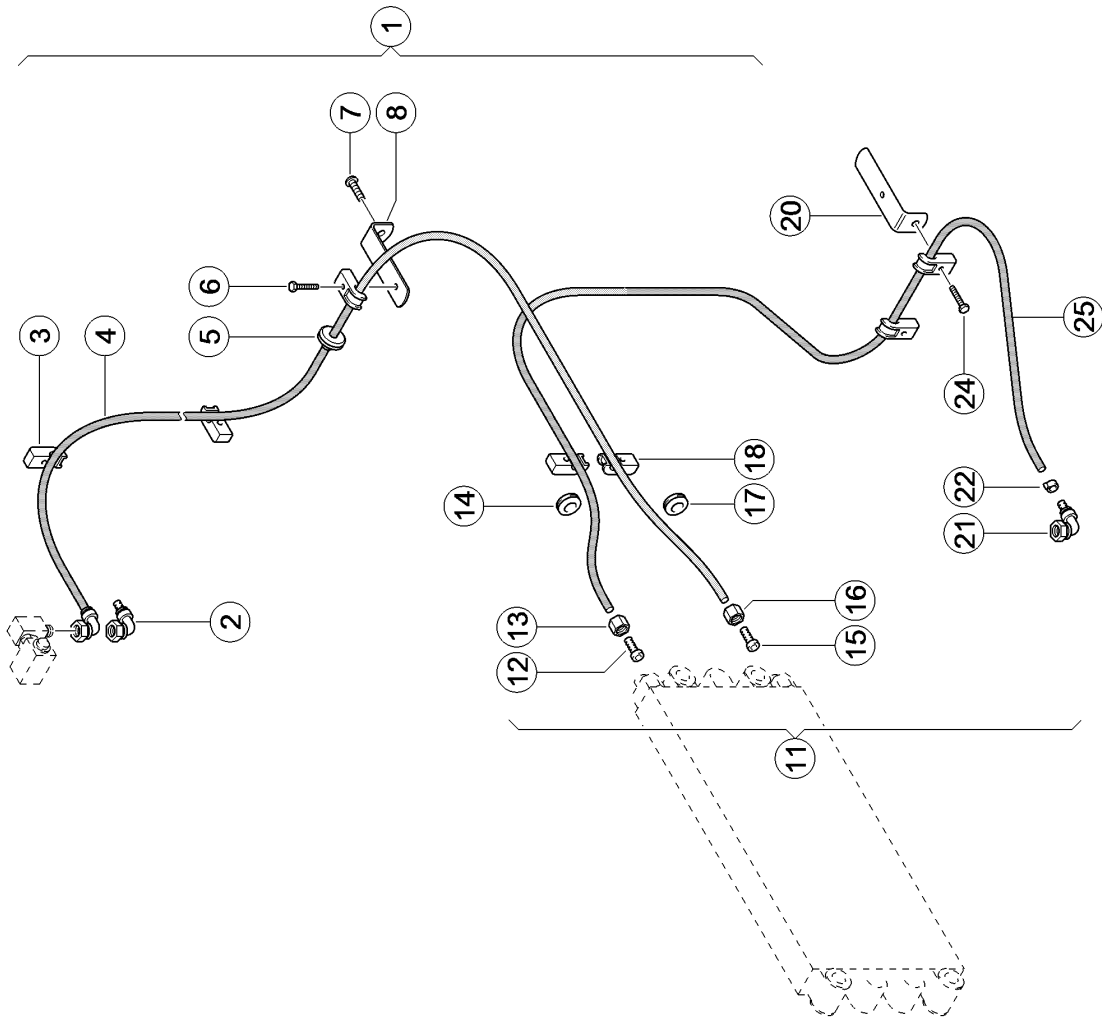
with Item 6 - 9

3) Remarks

2600mm long

4) Remarks

430mm long



140 FUEL PIPES 1)

Pos.	Part No.	Description	Dimension	Quantity	Conditions
1	00 0799 908 2	FUEL PIPE	KUEHLER-TANK LG 2400 MM	1	2)
2	00 0798 863 0	CONNECTOR	NORMAQUICK S NW 1/2"-10-	1	
3	00 0216 117 0	CLAMP	A 10	4	
4	00 0136 559 0	TUBE	12,5X1,25X10000	1	3)
5	00 0735 998 0	GROMMET	C 6-12X24X1,5	1	
6	00 0238 094 0	HEXAGON HEAD BOLT	M06X25	2	
7	00 0235 341 0	COACH BOLT	M 6X30	2	
8	00 0659 359 1	SCREW-ON ANGLE	20X3X79	1	
11	00 0798 242 1	FUEL PIPE		1	4)
12	00 0239 304 0	CONNECTION	D16X1,5-8	1	
13	00 0216 006 0	UNION NUT	BLL10	1	
14	00 0735 998 0	GROMMET	C 6-12X24X1,5	1	
15	00 0215 167 0	CONNECTION	D16X1,5-10	1	
16	00 0216 006 0	UNION NUT	BLL10	1	
17	00 0238 250 0	GROMMET	A 24X30X3,5	1	
18	00 0216 117 0	CLAMP	A 10	6	
20	00 0351 033 1	ANGLE	30X5X205	1	
21	00 0353 723 1	CONNECTION	90°-11/16-16UN-2B	1	
21	00 0798 226 0	CONNECTION	NW 3/8"-5/16", 0°	1	
22	00 0408 544 1	CLAMP	10,8-13,3 STEPLESS	1	
24	00 0242 442 0	HEXAGON HEAD BOLT	M 6X30	5	
24	00 0233 259 0	HEXAGON HEAD BOLT	M08X20-MKL	1	
25	00 0136 533 0	TUBE	11X1,5X10000	1	5)

1) Equipment

MD_P02_0255

C13K R120 345/385 kW T3

2) Remarks

with Item 2,4,5,15 - 17

3) Remarks

2400 long

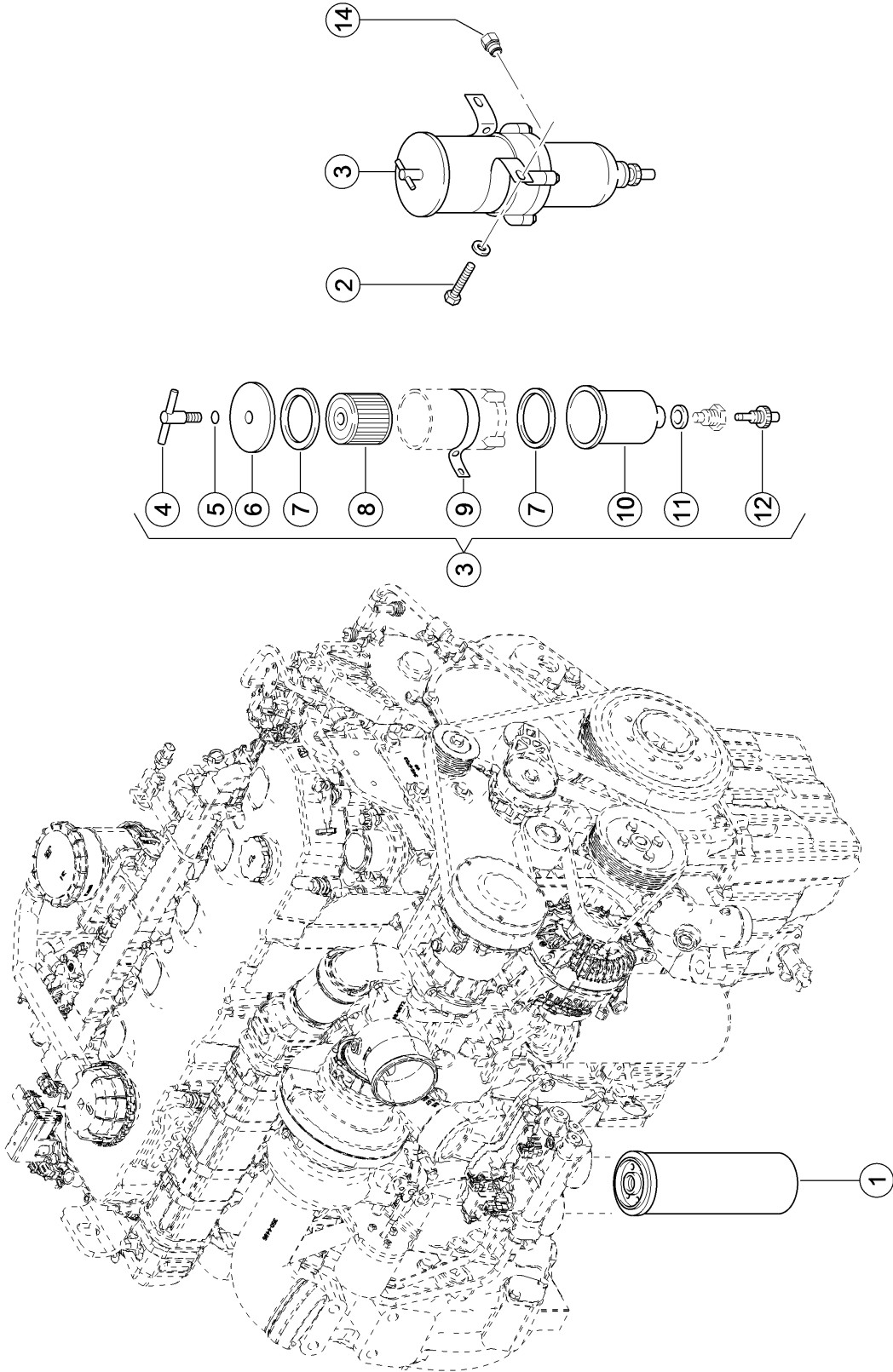
4) Remarks

with Item 12-14,21,22,25

5) Remarks

3450 long

E0352 0125A160B 1



Thank you so much for reading.
Please click the “Buy Now!”
button below to download the
complete manual.



After you pay.

You can download the most
perfect and complete manual in
the world immediately.

Our support email:

ebooklibonline@outlook.com