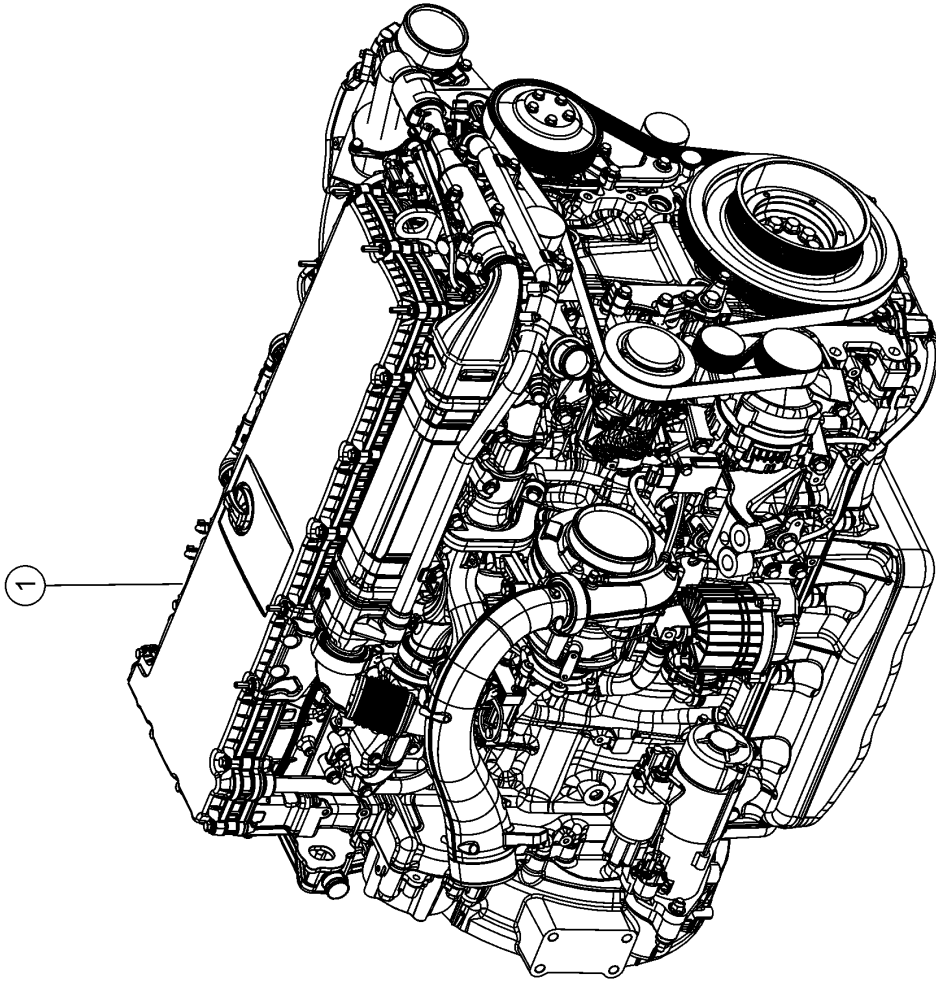


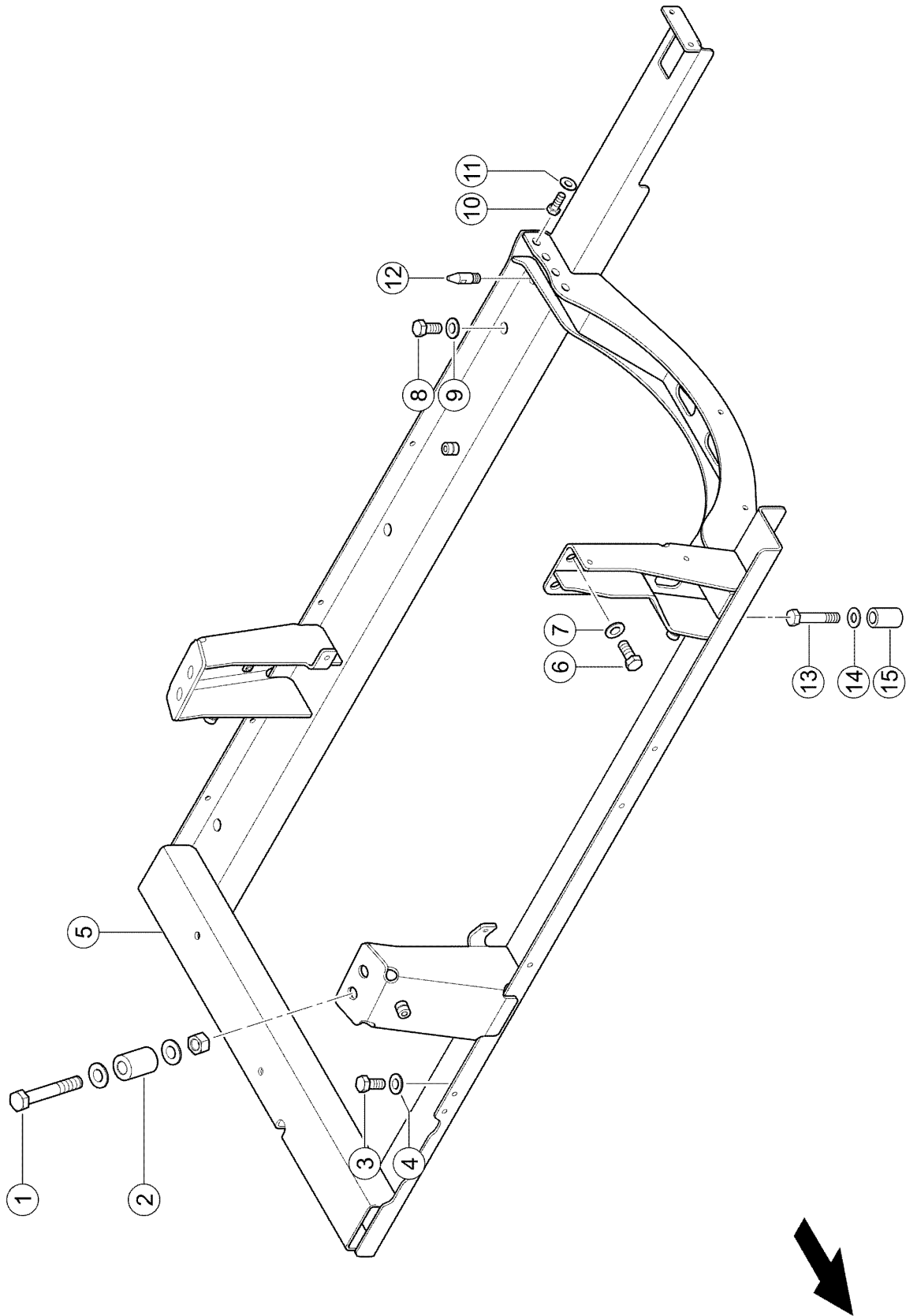
E0379 0102A010A 1



010 COMPLETE ENGINE

Pos.	Part No.	Description	Dimension	Quantity	Conditions
1	00 0781 452 2	ENGINE	OM473LA 430KW T4F	1	1)
1	00 1984 638 0	ENGINE	REMAN OM 473 LA 430KW	1	2)
1	00 1984 744 0	ENGINE	REMAN OM 473 LA 430KW T4	1	3)
1	00 0773 926 2	ENGINE	OM473LA 460KW T4F	1	4)
1	00 1984 646 0	ENGINE	REMAN OM 473 LA 460KW	1	5)
1	00 1984 740 0	ENGINE	REMAN OM 473 LA 460KW T4	1	6)
1	00 2685 331 0	ENGINE	OM473LA 430KW	1	1)
1	00 2685 330 0	ENGINE	OM473LA 460KW	1	4)

1)	Equipment	MD_P02_0770	Mercedes-Benz OM473 LA - 430 kW/585 hp (T4)
2)	Equipment	MD_P02_0770	Mercedes-Benz OM473 LA - 430 kW/585 hp (T4)
	Remarks		Exchange / Reman; not for US
3)	Equipment	MD_P02_0770	Mercedes-Benz OM473 LA - 430 kW/585 hp (T4)
	Remarks		Exchange / Reman; for USA
4)	Equipment	MD_P02_0772	Mercedes-Benz OM473 LA - 460 kW/626 hp (T4)
5)	Equipment	MD_P02_0772	Mercedes-Benz OM473 LA - 460 kW/626 hp (T4)
	Remarks		Exchange / Reman; not for US
6)	Equipment	MD_P02_0772	Mercedes-Benz OM473 LA - 460 kW/626 hp (T4)
	Remarks		Exchange / Reman; for USA



100 ENGINE SUSPENSION 1)

Pos.	Part No.	Description	Dimension	Quantity	Conditions
1	00 0211 186 0	HEXAGON HEAD BOLT	M20X130	4	
1	00 0212 191 0	CONTACT WASHER	A20	8	
1	00 0237 521 0	HEX.NUT	M20	4	
2	00 0796 231 0	BUSHING	D42D20.5X62	4	
3	00 0236 230 0	HEXAGON HEAD BOLT	M16X35	4	
4	00 0239 391 0	CONTACT WASHER	A16	4	
5	00 2599 071 4	ENGINE MOUNTING	OM473LA	1	
6	00 0233 066 0	HEXAGON HEAD BOLT	M16X1,5X 40	4	
7	00 0239 391 0	CONTACT WASHER	A16	4	
8	00 0236 230 0	HEXAGON HEAD BOLT	M16X35	4	2)
8	00 0236 230 0	HEXAGON HEAD BOLT	M16X35	3	3)
9	00 0239 391 0	CONTACT WASHER	A16	4	2)
9	00 0239 391 0	CONTACT WASHER	A16	3	3)
10	00 0237 458 0	HEXAGON HEAD BOLT	M12X20	4	
11	00 0239 389 0	CONTACT WASHER	A12	4	
12	00 2598 319 0	THREADED BOLT		1	3)
13	00 0239 415 0	HEXAGON HEAD BOLT	M16X85	1	
14	00 0239 391 0	CONTACT WASHER	A16	1	
15	00 0796 273 0	BUSHING	D32/D18X50	1	

1) Equipment

MD_P02_0770
MD_P02_0772

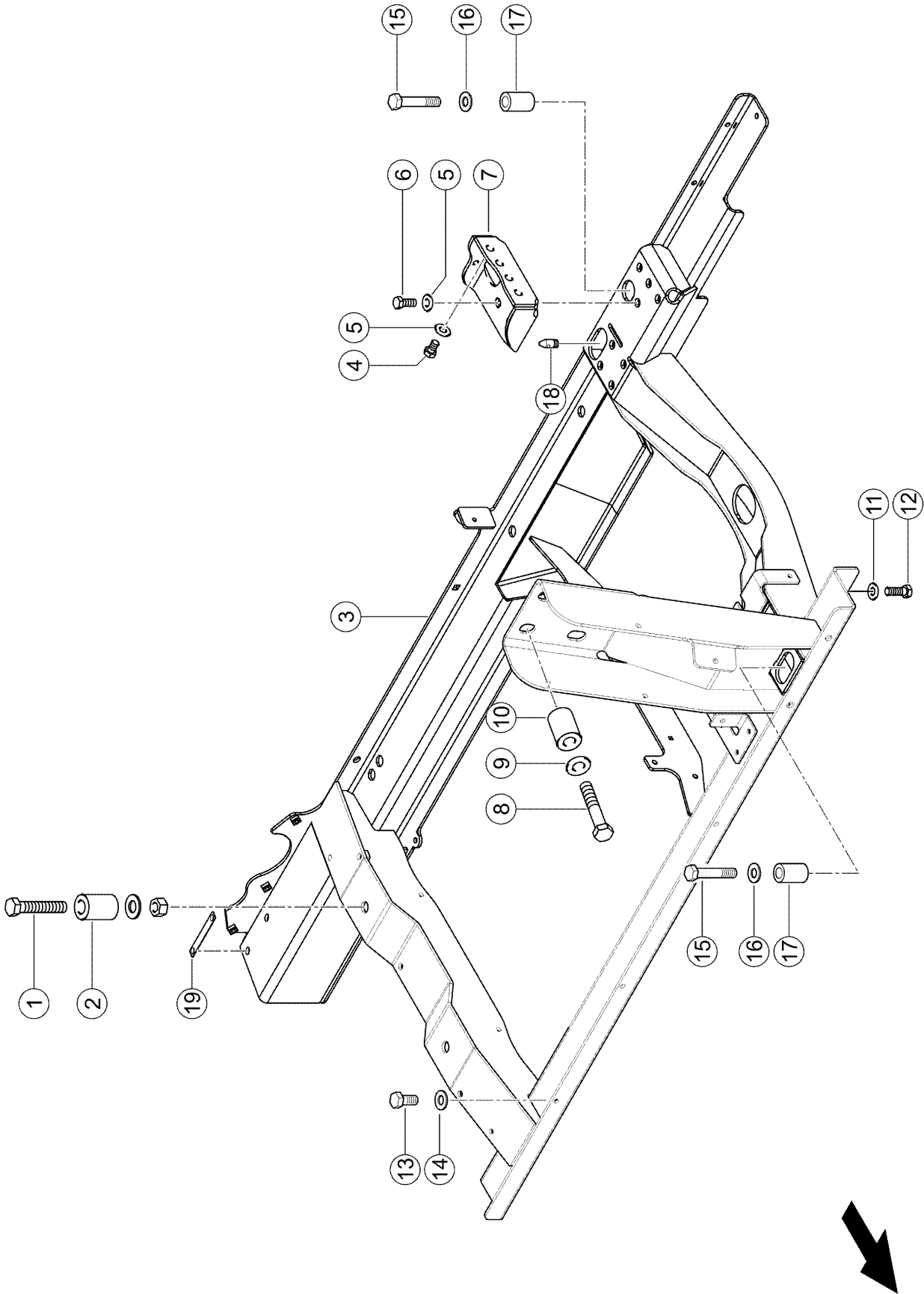
Mercedes-Benz OM473 LA - 430 kW/585 hp (T4)
Mercedes-Benz OM473 LA - 460 kW/626 hp (T4)

2) machine no.

+ up to C7900375

3) machine no.

+ from C7900376



100 ENGINE SUSPENSION 1)

Pos.	Part No.	Description	Dimension	Quantity	Conditions
1	00 0211 573 0	HEXAGON HEAD BOLT	M18-100	2	
1	00 0212 191 0	CONTACT WASHER	A20	2	
1	00 0242 848 0	HEXAGONAL NUT	M18	2	
2	00 0796 231 0	BUSHING	D42D20.5X62	2	
3	00 0780 900 3	ENGINE MOUNTING		1	
4	00 0237 458 0	HEXAGON HEAD BOLT	M12X20	4	
5	00 0239 389 0	CONTACT WASHER	A12	8	
6	00 0237 461 0	HEXAGON HEAD BOLT	M12X30	4	
7	00 0780 898 0	SUPPORT	6X172X272	1	
8	00 0215 631 0	HEXAGON HEAD BOLT	3/4-10UNC-2AX4 1/2	4	
9	00 0212 191 0	CONTACT WASHER	A20	4	
10	00 0796 231 0	BUSHING	D42D20.5X62	4	
11	00 0239 389 0	CONTACT WASHER	A12	1	
12	00 0211 465 0	HEX.HEAD BOLT	1/2-13UNC-2AX1 1/2	1	
13	00 0236 230 0	HEXAGON HEAD BOLT	M16X35	6	
14	00 0239 391 0	CONTACT WASHER	A16	6	
15	00 0239 415 0	HEXAGON HEAD BOLT	M16X85	3	2)
15	00 0239 415 0	HEXAGON HEAD BOLT	M16X85	2	3)
16	00 0239 391 0	CONTACT WASHER	A16	3	2)
16	00 0239 391 0	CONTACT WASHER	A16	2	3)
17	00 0796 273 0	BUSHING	D32/D18X50	3	2)
17	00 0796 273 0	BUSHING	D32/D18X50	2	3)
18	00 2598 319 0	THREADED BOLT		1	3)
19	00 2598 984 0	PLATE	96X16X1,5	1	4)

1) Equipment

MD_P02_0646

C13 ECE R120 405 kW T4

2) machine no.

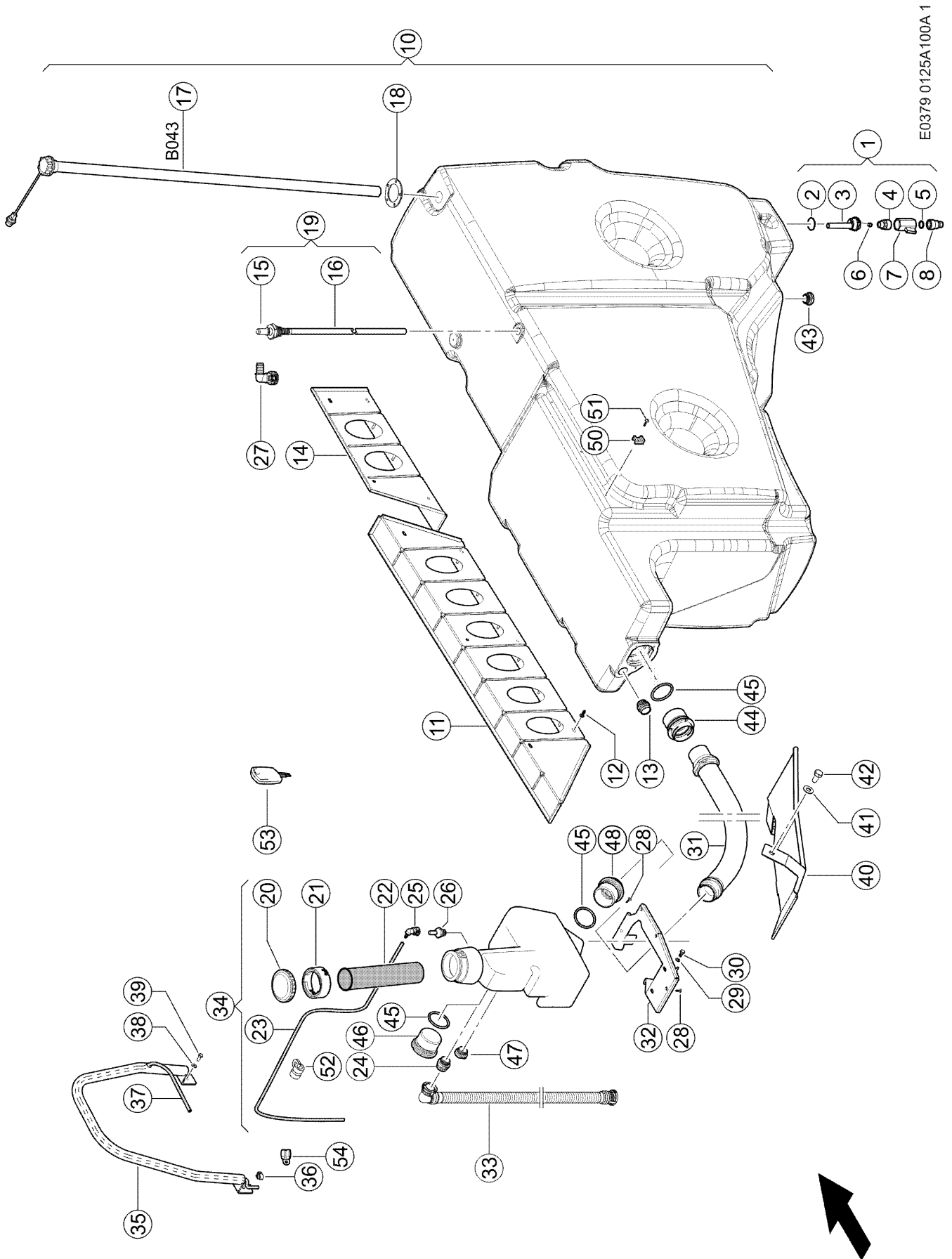
+ up to C7900375

3) machine no.

+ from C7900376

4) machine no.

+ from C7900376 up to C7999999



E0379 0125A100A 1

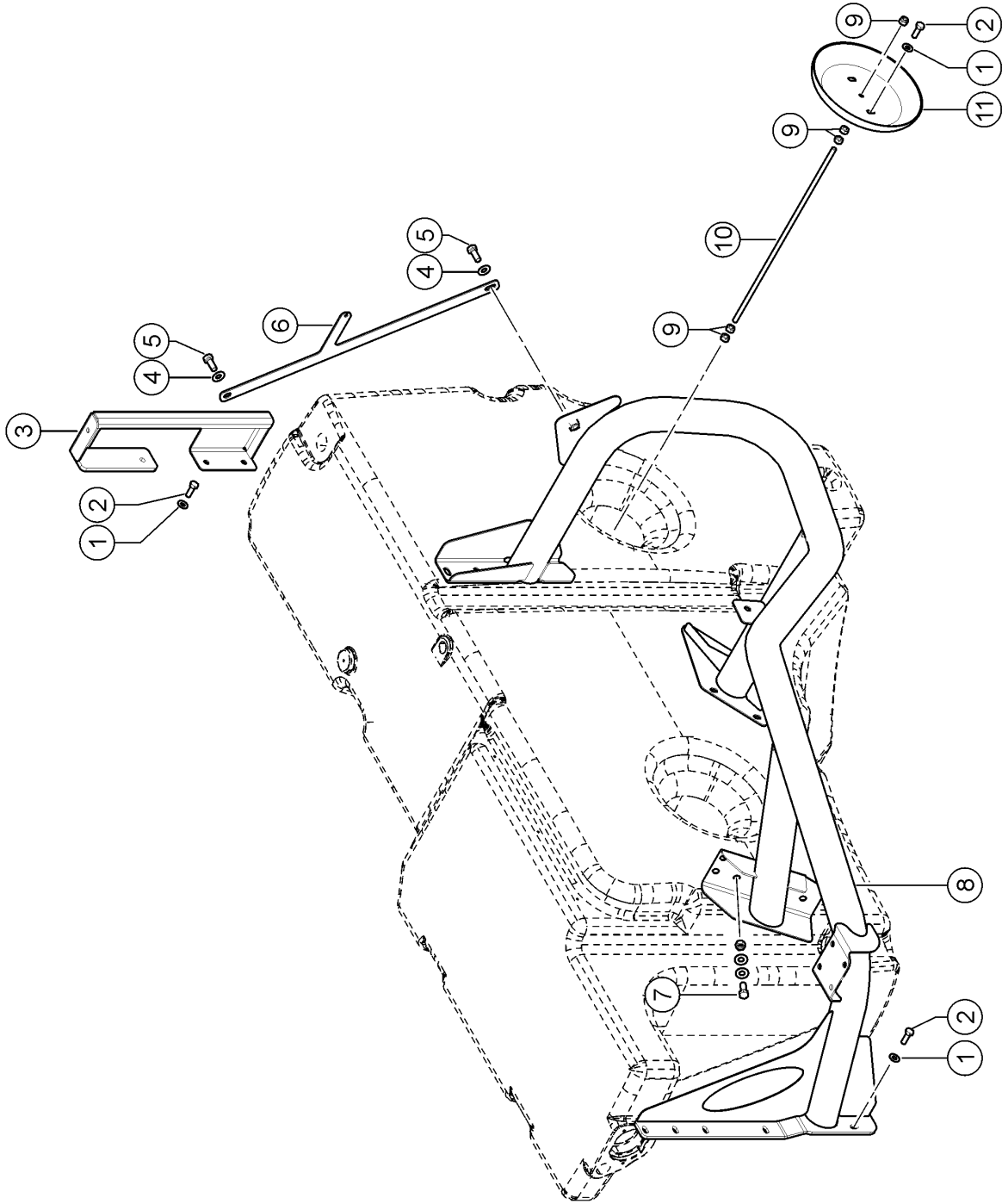
100 FUEL TANK

Pos.	Part No.	Description	Dimension	Quantity	Conditions
1	00 1805 691 0	CONNECTION	W-ABLASS PS3-NW12	1	1)
2	00 0217 459 1	O-RING	27X4,0 -N	1	
3	00 0783 643 1	PLUG	WASSER + G3/8"	1	
4	00 1805 689 1	DOUBLE NIPPLE	G3/4AG - G3/8AG	1	
5	00 0132 263 0	O-RING	017-17,17 X1,78 -N	1	
6	00 0687 625 1	HEXAGON HEAD BOLT	M8X17 F. TANK	1	
			WASSERABLA		
7	00 1805 688 0	BALL-TYPE TAP	IG + IG G3/4" LW 12	1	
8	00 1805 690 0	ADAPTER	G3/4"AG / PS3 NW12	1	
10	00 1806 571 0	FUEL TANK	COL 800LTR.	1	2)
11	00 0505 467 2	BELT PROTECTOR	1,5X575X1433,6	1	
12	00 0217 504 0	SCREW	K60X20-T25-WN1451	10	
13	00 1802 724 0	SOCKET		1	
14	00 2350 241 0	BELT PROTECTOR	1,5X434.1X678,3	1	
15	00 0783 649 2	ADAPTER		1	
15	00 1828 336 0	O-RING	19X4-N	1	
16	00 0136 559 0	TUBE	12,5X1,25X10000	1	3)
17	00 0016 596 3	LEVEL INDICATOR	L=1320MM	1	4)
17	00 0783 653 0	PT SCREW	6ST 4X40	1	
18	00 0794 993 0	GASKET	VORRATSGEBER	1	
19	00 0783 660 0	RETURN PIPE	LANG FUER 800LTR.	1	
			TANK		
20	00 0217 508 0	CAP	DV 80 GL OHNE	1	5)
			LÜFTUNG		
20	00 0536 232 0	CAP	DV80A M. SCHLOSS	1	6)
21	00 0038 915 0	SOCKET	SV 80 B/40	1	
22	00 0736 238 0	TANK FILTER		1	
23	00 0202 240 0	HOSE	A 6X10	2	7)
23	00 0410 302 0	HOSE	B 10X16	2	8)
24	00 1802 724 0	SOCKET		1	
25	00 0217 501 0	CONNECTOR	NQS 1/2" - 6 X 90	1	7)
			GRAD		
25	00 0798 863 0	CONNECTOR	NORMAQUICK S NW	1	8)
			1/2"-10-		
26	00 0794 417 2	VENTILATION		1	
26	00 1828 336 0	O-RING	19X4-N	1	
27	00 0798 863 0	CONNECTOR	NORMAQUICK S NW	1	
			1/2"-10-		
28	00 0475 169 0	SCREW	80X25-IP40-WN5451	12	
29	00 0239 388 0	CONTACT WASHER	A10-10,2X22,25X1,6	1	
30	00 0237 383 0	HEXAGON HEAD BOLT	M10X25	1	9)
31	00 1805 060 3	FILLER TUBE	FUER HAUPTTANK	1	9)
32	00 0505 448 2	SUPPORTING PLATE	192,5X239X388	1	
33	00 0505 574 2	HOSE	FUER H-TANK	1	9)
33	00 0783 669 0	CONNECTOR	0°	1	9)
33	00 0783 670 0	CONNECTOR	90°	1	9)
34	00 1806 575 1	FILLER HEAD		1	10)
40	00 1804 243 1	GUARD		1	
40	00 0200 706 0	EDGE PROTECTOR	10X14,5X3,5	1	11)
41	00 0239 388 0	CONTACT WASHER	A10-10,2X22,25X1,6	3	
42	00 0237 382 0	HEXAGON HEAD BOLT	M10X20	3	
44	00 1804 006 3	CLUTCH	PS3-NW50-M76X6	1	12)
45	00 0505 956 1	O-RING	68,7 X 6	3	
46	00 0505 955 1	BLIND PLUG	NORMAQUICK PS3	1	13)
			NW50 VDA		
47	00 0217 912 0	BLIND PLUG	NQ V2-NW27	1	13)

100 FUEL TANK

Pos.	Part No.	Description	Dimension	Quantity	Conditions
47	00 1802 724 0	SOCKET		1	14)
48	00 1804 006 3	CLUTCH	PS3-NW50-M76X6	1	14)
48	00 0505 955 1	BLIND PLUG	NORMAQUICK PS3 NW50 VDA	1	13)
50	00 1804 166 0	SUPPORT	10X16X23	4	
51	00 1116 932 0	PT SCREW	K50X16-T20-WN1451	4	
52	00 0217 507 0	PIPE BRACKET	NW 7,5	3	
53	00 0536 221 0	MASTER KEY	SATZ; INDIVIDUELLE SCHLI	1	6)
53	00 0536 225 0	LOCKING CYLINDER	TANK,INDIVIDUELLE SCHLIE	1	6)
53	00 0536 215 0	LOCKING CYLINDER	TANK,STANDARD SCHLIESSUN	1	5)
54	00 0215 612 0	PIPE CLAMP	D1-17X20	1	9)
1)	Remarks		with Item 2 - 8		
2)	Remarks		with Item 10 - 18, 44 - 45, 50 - 51		
3)	Remarks		1020mm long		
4)	CCN	CCN-B043	fuel level sensor without 783 653.0		
5)	Equipment	MD_Q18_0010	Locking system, standard		
6)	Equipment	MD_Q18_0020	Locking system, individual		
7)	Equipment	MD_P14_0080 MD_P14_0115	Fuel tank 800 litres Fuel tank 1150 litres + from C7900504		
	machine no.				
8)	Equipment	MD_P14_0080 MD_P14_0115	Fuel tank 800 litres Fuel tank 1150 litres + from C7900505		
	machine no.				
9)	Equipment	MD_P14_0080 MD_P14_0115	Fuel tank 800 litres Fuel tank 1150 litres		
10)	Equipment	MD_P14_0080 MD_P14_0115	Fuel tank 800 litres Fuel tank 1150 litres with Item 20 - 22, 24, 26, 32, 46 - 48		
	Remarks				
11)	Remarks		450 mm long		
12)	Remarks		with Item 45		
13)	Equipment	MD_P14_0080	Fuel tank 800 litres		
14)	Equipment	MD_P14_0115	Fuel tank 1150 litres		

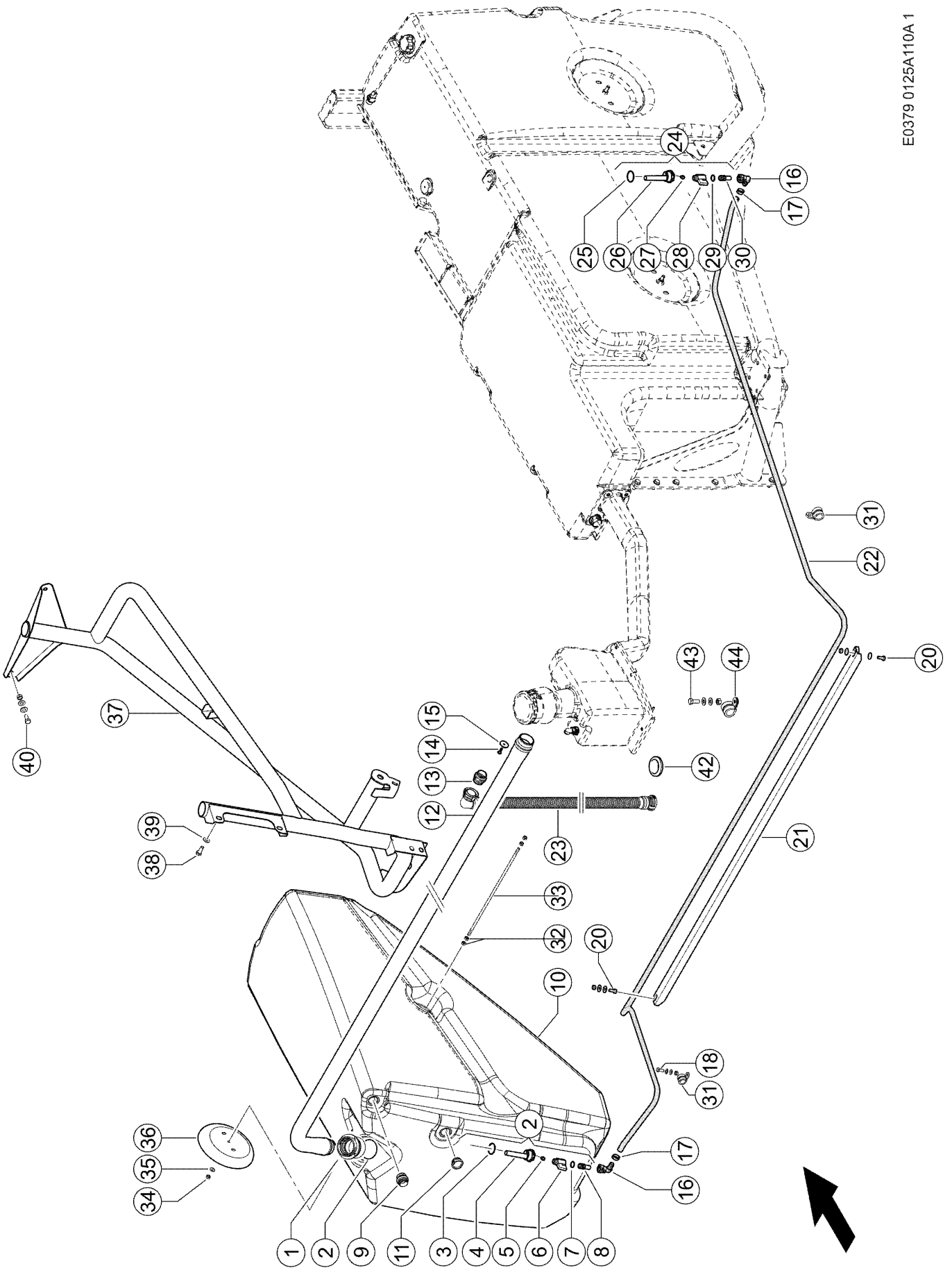
E0379 0125A100A 2



100 FUEL TANK

Pos.	Part No.	Description	Dimension	Quantity	Conditions
1	00 0239 388 0	CONTACT WASHER	A10-10,2X22,25X1,6	14	
2	00 0237 453 0	HEXAGON HEAD BOLT	M10X30	14	
3	00 1802 739 3	SUPPORT		1	
4	00 0239 389 0	CONTACT WASHER	A12	2	
5	00 0237 461 0	HEXAGON HEAD BOLT	M12X30	2	
6	00 1802 746 3	BRACE	4X153,5X655,3	1	
7	00 0237 461 0	HEXAGON HEAD BOLT	M12X30	3	
7	00 0239 389 0	CONTACT WASHER	A12	6	
7	00 0236 172 0	HEXAGONAL NUT	M12	3	
8	00 1802 661 3	TANK SUPPORT		1	
9	00 0236 171 0	HEXAGONAL NUT	M10	10	
10	00 0505 944 0	THREADED ROD	M10X530	2	
11	00 0548 224 1	WASHER		2	

E0379 0125A110A 1

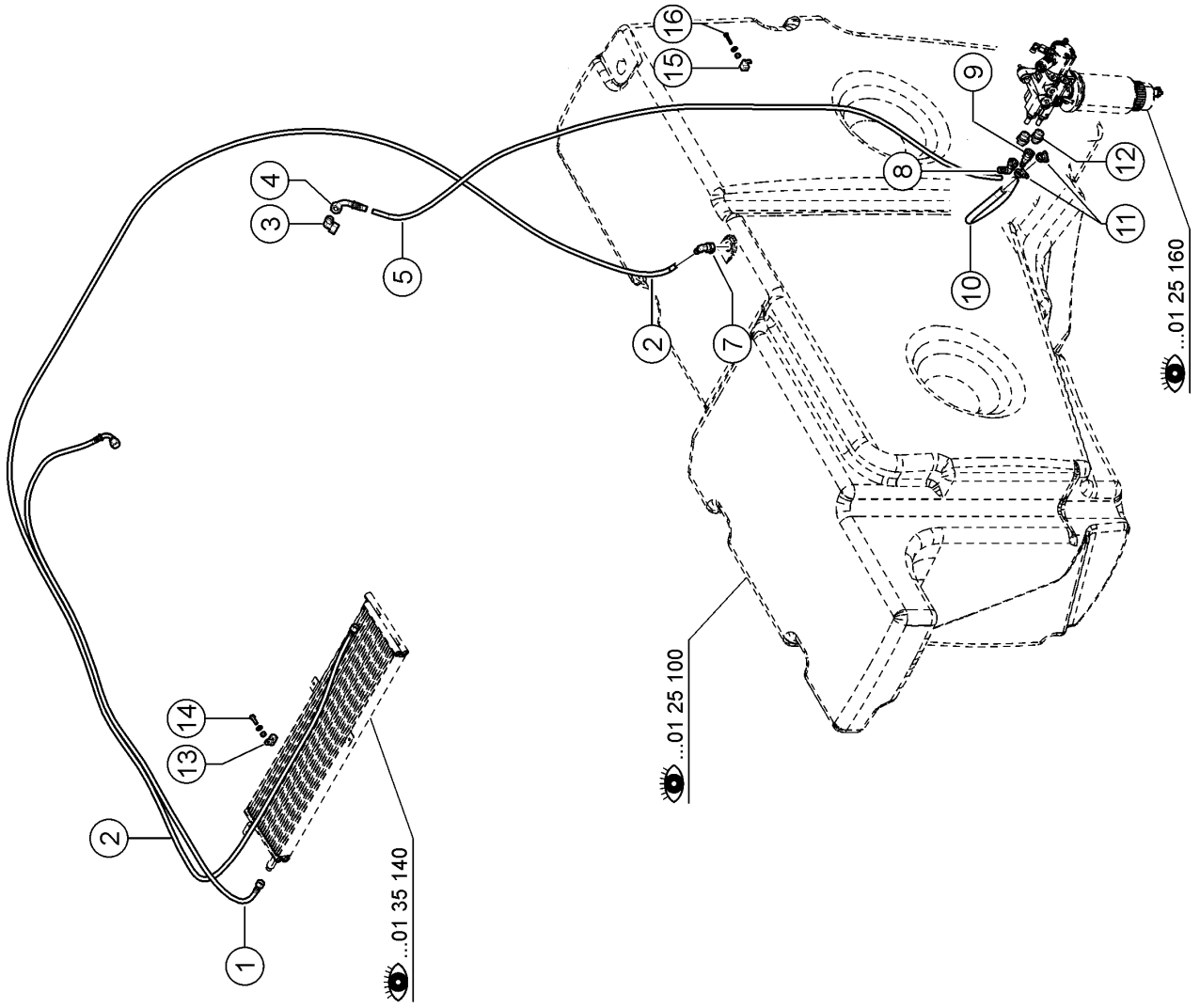


110 ADITIONAL FUEL TANK 1)

Pos.	Part No.	Description	Dimension	Quantity	Conditions
1	00 1804 006 3	CLUTCH	PS3-NW50-M76X6	1	2)
1	00 1805 151 0	BRACKET	NQ PS3 NW5	1	
1	00 1805 152 0	O-RING	VERRIEGELUNG 56X4 VITON 60	1	
2	00 0505 956 1	O-RING	68,7 X 6	1	
3	00 0217 459 1	O-RING	27X4,0 -N	1	
4	00 0783 643 1	PLUG	WASSER + G3/8"	1	
5	00 0687 625 1	HEXAGON HEAD BOLT	M8X17 F. TANK	1	
6	00 0783 652 0	BALL-TYPE TAP	WASSERABLA DN8-I-G3/8XA-G3/8	1	
7	00 0216 366 0	O-RING	10,50X1,5 NBR80	1	
8	00 0783 644 1	ADAPTOR	G3/8"- 1/2" SAE J 2044	1	
9	00 1802 724 0	SOCKET		1	
10	00 1806 579 0	ADDITIONAL TANK	COL 360LTR.	1	3)
11	00 0238 995 1	PLUG	D46,0-F	2	
12	00 1805 038 3	FILLER TUBE	FUER 1700 ZUSATZTANK	1	
13	00 1802 724 0	SOCKET		1	
14	00 0217 504 0	SCREW	K60X20-T25-WN1451	3	
15	00 0236 823 0	WASHER	6,5X30X3	3	
16	00 0798 863 0	CONNECTOR	NORMAQUICK S NW 1/2"-10-	2	
17	00 0216 413 0	1-EAR-CLAMP	16-18	2	
18	00 0236 200 0	HEXAGON HEAD BOLT	M8X20	3	
18	00 0239 387 0	CONTACT WASHER	A8-8,2X18X1,4	3	
18	00 0236 170 0	HEXAGONAL NUT	M8	3	
20	00 0236 200 0	HEXAGON HEAD BOLT	M8X20	2	
20	00 0239 393 1	CONTACT WASHER	B 8 -8.2X22X1,9	4	
20	00 0236 170 0	HEXAGONAL NUT	M8	2	
21	00 1815 971 1	SUPPORT	2X1780X95.1	1	
22	00 0205 524 2	HOSE	11X3,5 ROLLE, LSN NOTWEN	1	4)
23	00 0505 705 4	HOSE		1	
23	00 0783 669 0	CONNECTOR	0°	1	
23	00 0783 670 0	CONNECTOR	90°	1	
25	00 0217 459 1	O-RING	27X4,0 -N	1	
26	00 0783 643 1	PLUG	WASSER + G3/8"	1	
27	00 0687 625 1	HEXAGON HEAD BOLT	M8X17 F. TANK	1	
28	00 0783 652 0	BALL-TYPE TAP	WASSERABLA DN8-I-G3/8XA-G3/8	1	
29	00 0216 366 0	O-RING	10,50X1,5 NBR80	1	
30	00 0783 644 1	ADAPTOR	G3/8"- 1/2" SAE J 2044	1	
31	00 0216 156 0	PIPE CLAMP	D1-19X20	4	
32	00 0236 171 0	HEXAGONAL NUT	M10	4	
33	00 1805 531 0	THREADED ROD	M10X485	1	
34	00 0238 316 0	LOCK NUT	M10	1	
35	00 0239 394 1	CONTACT WASHER	B10	1	
36	00 0548 224 1	WASHER		1	
37	00 1804 335 2	SUPPORT TUBE		1	
38	00 0237 383 0	HEXAGON HEAD BOLT	M10X25	5	
39	00 0239 388 0	CONTACT WASHER	A10-10,2X22,25X1,6	5	
40	00 0237 383 0	HEXAGON HEAD BOLT	M10X25	2	
40	00 0239 388 0	CONTACT WASHER	A10-10,2X22,25X1,6	2	
40	00 0236 171 0	HEXAGONAL NUT	M10	2	

110 ADITIONAL FUEL TANK 1)

Pos.	Part No.	Description	Dimension	Quantity	Conditions
42	00 0214 039 1	CABLE RING	A 40X49X4	2	
43	00 0233 486 0	COACH BOLT	M 8X 35	5	
43	00 0239 387 0	CONTACT WASHER	A8-8,2X18X1,4	5	
43	00 0236 170 0	HEXAGONAL NUT	M8	5	
44	00 0215 083 0	HOLDER CLAMP	D1-30X25	5	
1)	Equipment	MD_P14_0115	Fuel tank 1150 litres		
2)	Remarks		with Item 2		
3)	Remarks		with Item 1, 2, 13		
4)	Remarks		4770 mm long		



Thank you so much for reading.
Please click the “Buy Now!”
button below to download the
complete manual.



After you pay.

You can download the most
perfect and complete manual in
the world immediately.

Our support email:

ebooklibonline@outlook.com