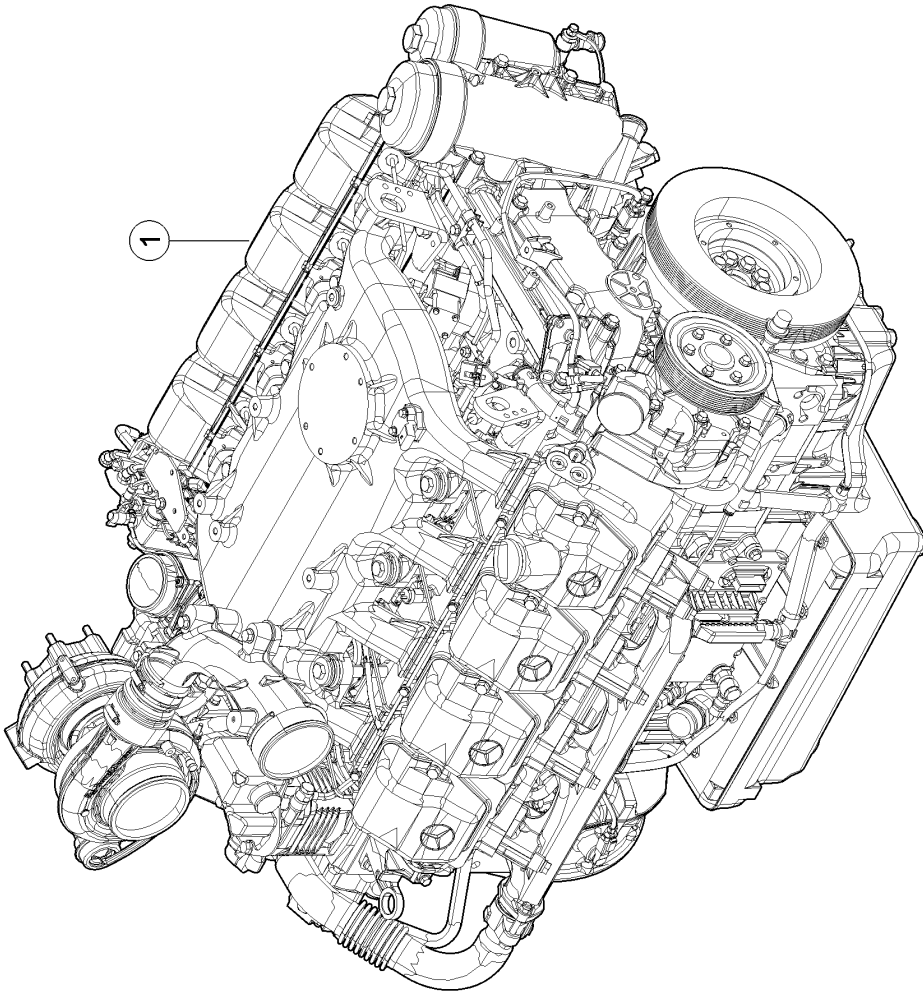


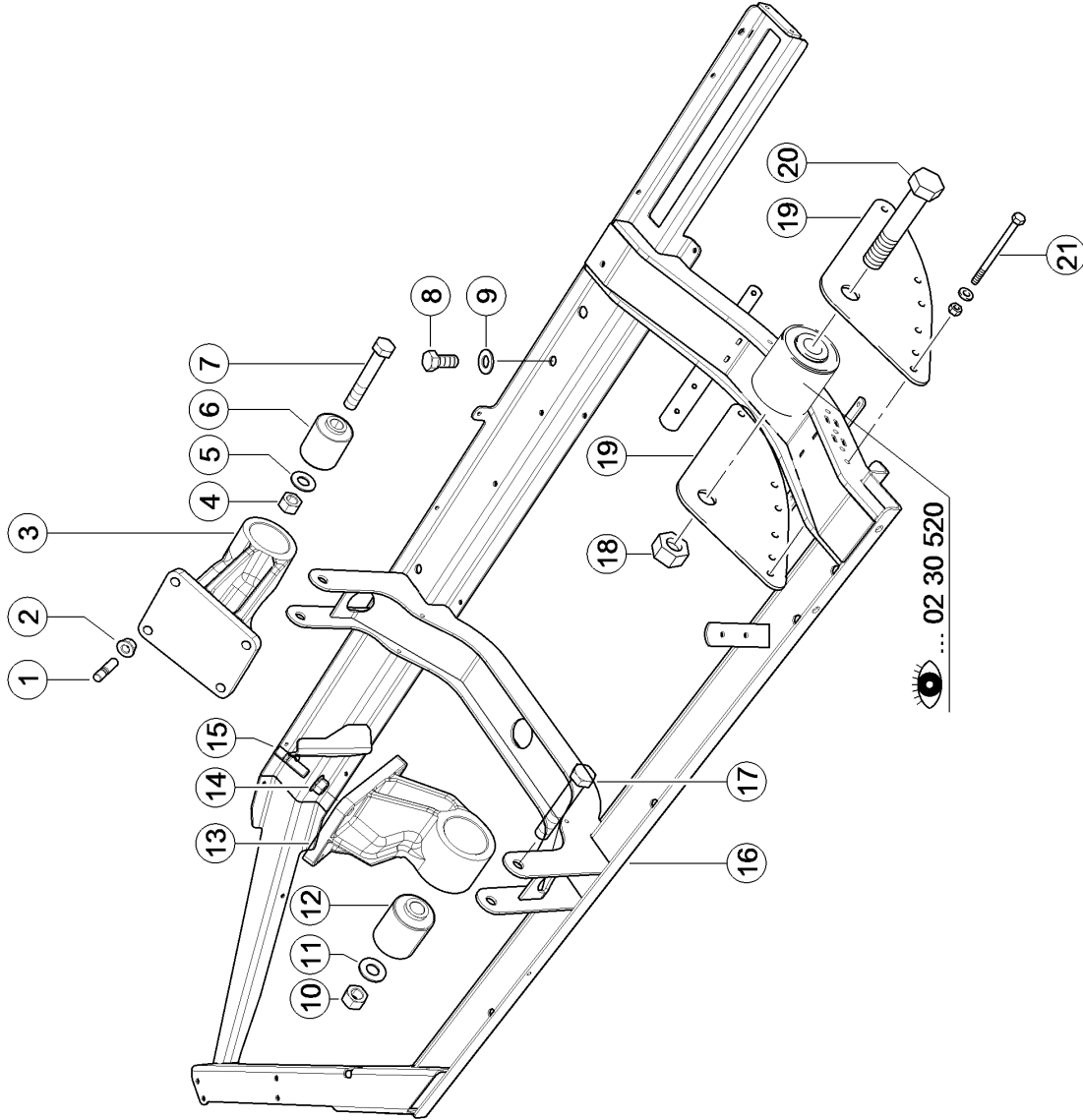
E0246 0102A010A 1



010 COMPLETE ENGINE

Pos.	Part No.	Description	Dimension	Quantity	Conditions
1	00 2599 285 0	ENGINE	OM502LA 405KW STAGE IIIB	1	1)
1	00 0781 884 0	ENGINE	OM502LA 405KW TIER 1 4I SE	1	2)
1	00 0780 381 1	ENGINE	OM502LA TIER 4I 405 KW	1	3)
1	00 2599 286 0	ENGINE	OM502LA 440KW STAGE IIIB	1	4)
1	00 1984 484 0	ENGINE	REMAN OM502LA TIER 4I 44	1	5)
1	00 0781 885 0	ENGINE	OM502LA 440KW TIER 1 4I SE	1	6)
1	00 0791 741 1	ENGINE	OM502LA TIER 4I 440 KW	1	7)
1)	Equipment machine no.	MD_P02_0243	Mercedes Benz OM502LA - 405 kW/551 hp (T4i) with air compressor + from C6601576		
2)	Equipment machine no.	MD_P02_0243	Mercedes Benz OM502LA - 405 kW/551 hp (T4i) with air compressor + from C6600548 up to C6601575		
3)	Equipment	MD_P02_0243	Mercedes Benz OM502LA - 405 kW/551 hp (T4i) with air compressor		
4)	Equipment machine no.	MD_P02_0241	Mercedes Benz OM502LA - 440 kW/598 hp (T4i) with air compressor + from C6601576		
5)	Equipment machine no.	MD_P02_0241	Mercedes Benz OM502LA - 440 kW/598 hp (T4i) with air compressor + from C6601576 Exchange / Reman		
6)	Equipment machine no.	MD_P02_0241	Mercedes Benz OM502LA - 440 kW/598 hp (T4i) with air compressor + from C6600548 up to C6601575		
7)	Equipment machine no.	MD_P02_0241	Mercedes Benz OM502LA - 440 kW/598 hp (T4i) with air compressor + up to C6600547		

E0246 0105A100A 1



100 ENGINE SUSPENSION 1)

Pos.	Part No.	Description	Dimension	Quantity	Conditions
1	00 0216 645 0	STUD BOLT	M14X1,5 X40	4	
2	00 0216 643 0	NUT	M14X1,5	4	
3	00 0791 800 0	ENGINE SUPPORT		1	2)
4	00 0233 561 0	HEXAGONAL NUT	M20	1	
5	00 0212 191 0	CONTACT WASHER	A20	1	
6	00 0090 330 0	MEGU BUSHING	22X65X89,5	1	
7	00 0218 175 0	HEXAGON HEAD BOLT	M20X130	1	
8	00 0236 230 0	HEXAGON HEAD BOLT	M16X35	8	
9	00 0239 391 0	CONTACT WASHER	A16	8	
10	00 0233 561 0	HEXAGONAL NUT	M20	1	
11	00 0212 191 0	CONTACT WASHER	A20	1	
12	00 0090 330 0	MEGU BUSHING	22X65X89,5	1	
13	00 0743 605 1	ENGINE SUPPORT		1	3)
14	00 0216 643 0	NUT	M14X1,5	4	
15	00 0216 645 0	STUD BOLT	M14X1,5 X40	4	
16	00 0791 856 0	ENGINE MOUNTING	OM502LA T4I BK	1	
17	00 0218 175 0	HEXAGON HEAD BOLT	M20X130	1	
18	00 0211 242 0	HEXAGONAL NUT	M30	1	
19	00 0796 969 0	STRAP	6X226X347	2	
20	00 0211 241 0	HEXAGON HEAD BOLT	M30X170	1	
21	77 0310 108 5	HEXAGON HEAD BOLT	M10X140-32	6	
21	00 0239 388 0	CONTACT WASHER	A10-10,2X22,25X1,6	6	
21	00 0237 886 0	HEXAGONAL NUT	M10	6	

1) Equipment

MD_P02_0241

Mercedes Benz OM502LA - 440 kW/598 hp (T4i) with air compressor

MD_P02_0243

Mercedes Benz OM502LA - 405 kW/551 hp (T4i) with air compressor

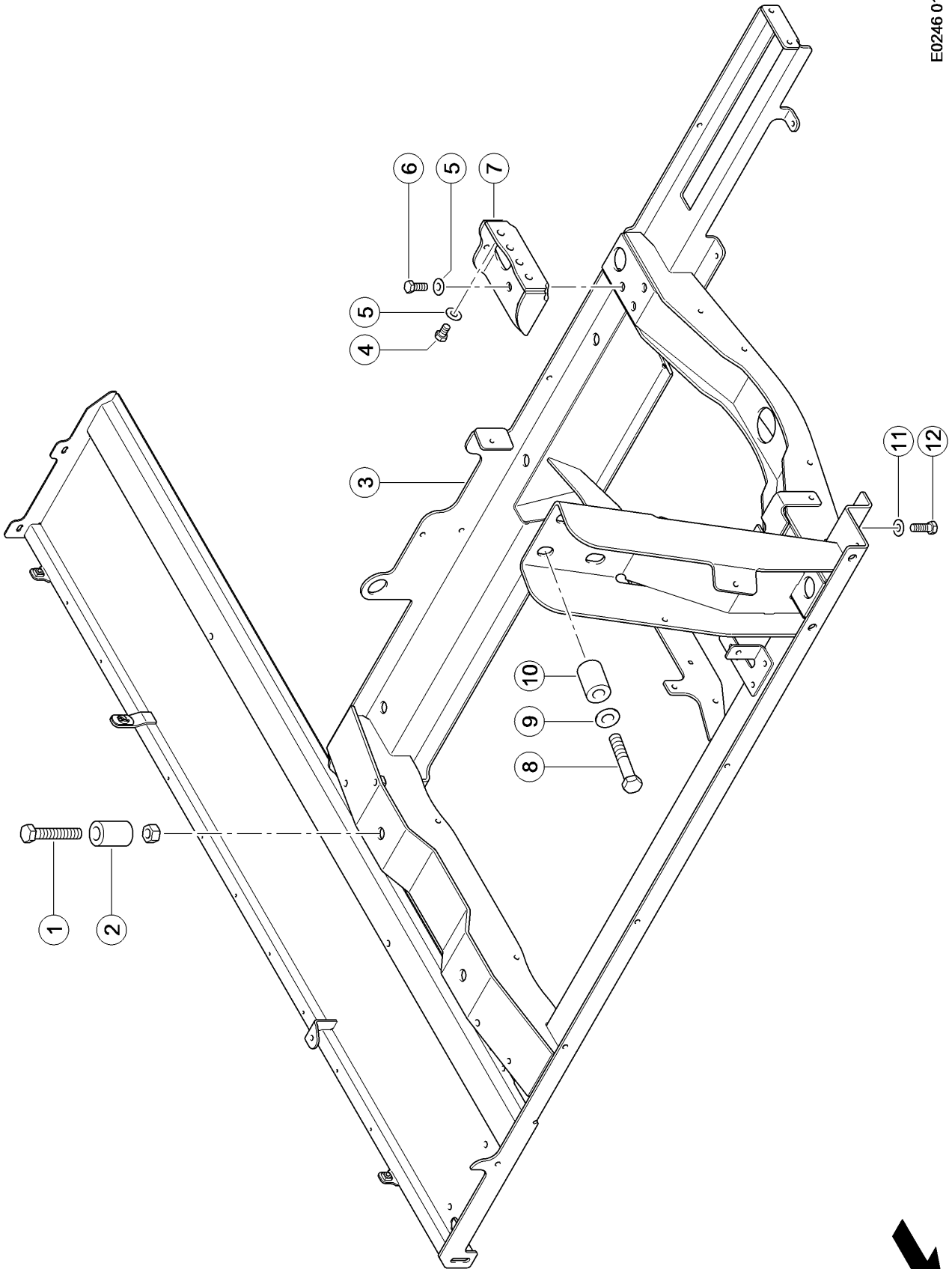
2) Remarks

with Item 6

3) Remarks

with Item 12

E0246 0105A100B 1



100 ENGINE SUSPENSION 1)

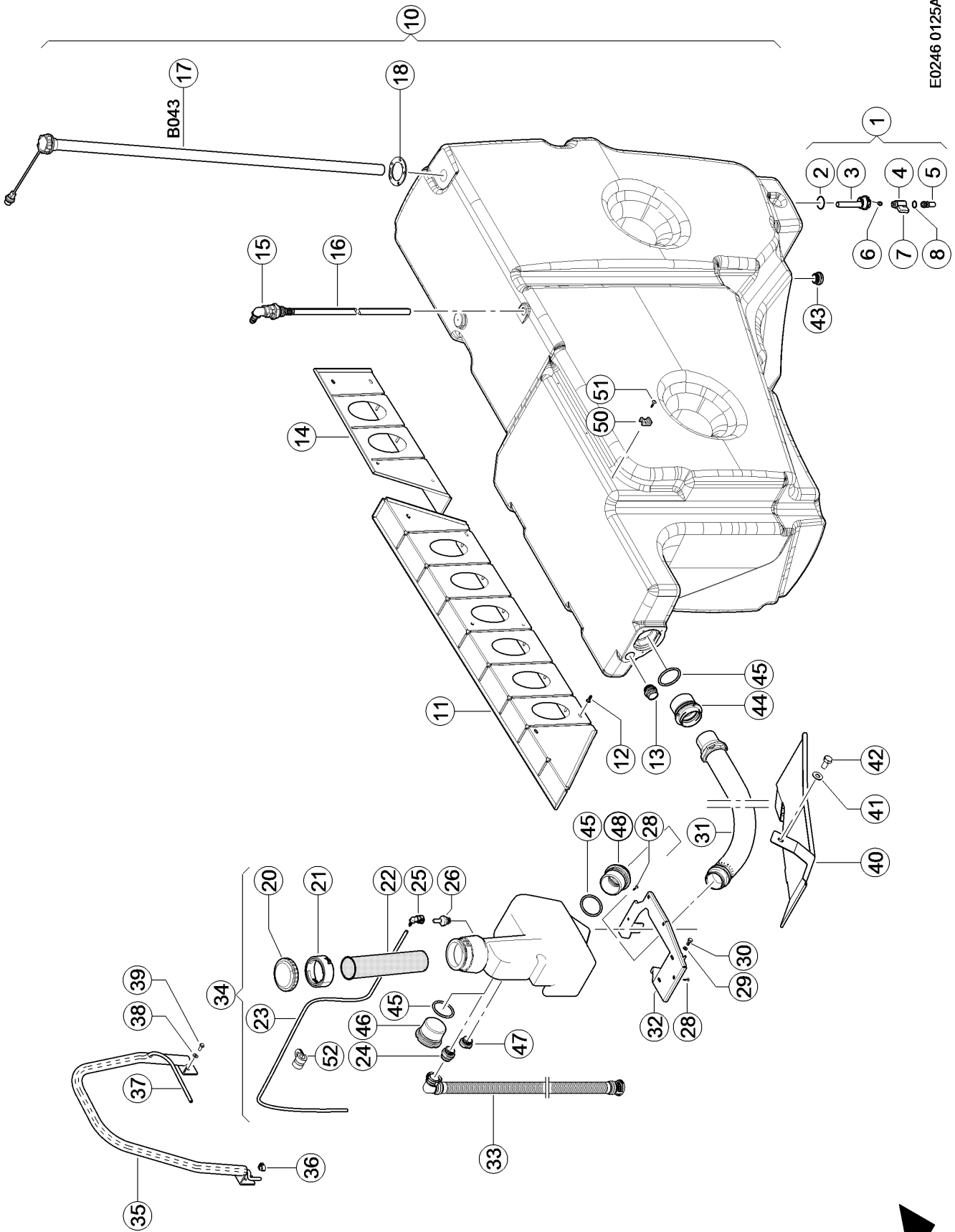
Pos.	Part No.	Description	Dimension	Quantity	Conditions
1	00 0211 573 0	HEXAGON HEAD BOLT	M18-100	2	
1	00 0212 191 0	CONTACT WASHER	A20	2	
1	00 0242 848 0	HEXAGONAL NUT	M18	2	
2	00 0796 231 0	BUSHING	D42D20.5X62	2	
3	00 0799 383 3	ENGINE MOUNTING		1	
4	00 0237 458 0	HEXAGON HEAD BOLT	M12X20	4	
5	00 0239 389 0	CONTACT WASHER	A12	4	
6	00 0237 461 0	HEXAGON HEAD BOLT	M12X30	4	
7	00 0239 389 0	CONTACT WASHER	A12	4	
8	00 0799 297 0	SUPPORT	6X171,6X271,6	1	
9	00 0215 631 0	HEXAGON HEAD BOLT	3/4-10UNC-2AX4 1/2	4	
10	00 0212 191 0	CONTACT WASHER	A20	4	
11	00 0796 231 0	BUSHING	D42D20.5X62	4	
12	00 0239 389 0	CONTACT WASHER	A12	1	
13	00 0211 465 0	HEX.HEAD BOLT	1/2-13UNC-2AX1 1/2	1	
14	00 0236 230 0	HEXAGON HEAD BOLT	M16X35	6	
14	00 0239 415 0	HEXAGON HEAD BOLT	M16X85	2	
15	00 0239 391 0	CONTACT WASHER	A16	8	
16	00 0796 273 0	BUSHING	D32/D18X50	2	

1) Equipment

MD_P02_0254
MD_P02_0255

C13 R120 345/385 kW T3
C13K R120 345/385 kW T3

E0246 0125A100A 1



100 FUEL TANK

Pos.	Part No.	Description	Dimension	Quantity	Conditions
1	00 0794 414 1	CONNECTION	MIT W.ABLAS ; KUGELH. ;	1	1)
2	00 0217 459 1	O-RING	27X4,0 -N	1	
3	00 0783 643 1	PLUG	WASSER + G3/8"	1	
4	00 0783 652 0	BALL-TYPE TAP	DN8-I-G3/8XA-G3/8	1	
5	00 0783 644 1	ADAPTOR	G3/8"- 1/2" SAE J 20441		
6	00 0687 625 1	HEXAGON HEAD BOLT	M8X17 F. TANK	1	
7	00 0783 658 0	ANTI-ROTAT. LOCK	WASSERABLA FUER 3/8" KUGELHAHN	1	
8	00 0216 366 0	O-RING	10,50X1,5 NBR80	1	
10	00 1802 622 5	FUEL TANK	800 LTR.	1	2)
11	00 0505 467 2	BELT PROTECTOR	1,5X575X1433,6	1	
12	00 0217 504 0	SCREW	K60X20-T25-WN1451	10	
13	00 1802 724 0	SOCKET		1	
14	00 0505 466 2	BELT PROTECTOR	1,5X434.1X678,3	1	
15	00 0783 649 2	ADAPTER		1	
16	00 0136 559 0	TUBE	12,5X1,25X10000	1	3)
17	00 0016 596 3	LEVEL INDICATOR	L=1320MM	1	4)
17	00 0783 653 0	PT SCREW	6ST 4X40	1	
18	00 0794 993 0	GASKET	VORRATSGEBER	1	
20	00 0217 508 0	CAP	DV 80 GL OHNE LÜFTUNG	1	
20	00 0177 621 0	CAP	D80 BELUEFTET, ABSCHLIES	1	5)
21	00 0038 915 0	SOCKET	SV 80 B/40	1	
22	00 0736 238 0	TANK FILTER		1	
23	00 0202 240 0	HOSE	A 6X10	2	
24	00 1802 724 0	SOCKET		1	
25	00 0217 501 0	CONNECTOR	NQS 1/2" - 6 X 90 GRAD	1	
26	00 0794 417 2	VENTILATION		1	
28	00 0475 169 0	SCREW	80X25-IP40-WN5451	12	
29	00 0239 388 0	CONTACT WASHER	A10-10,2X22,25X1,6	1	
30	00 0237 383 0	HEXAGON HEAD BOLT	M10X25	1	
31	00 1805 060 3	FILLER TUBE	FUER HAUPTTANK	1	
32	00 0505 448 2	SUPPORTING PLATE	192,5X239X388	1	
33	00 0505 574 2	HOSE	FUER H-TANK	1	
33	00 0783 669 0	CONNECTOR	0°	1	
33	00 0783 670 0	CONNECTOR	90°	1	
34	00 1804 104 2	FILLER HEAD	O. ZUSATZTANK	1	6)
34	00 0505 881 5	FILLER HEAD		1	7)
35	00 1804 176 1	BRACKET		1	8)
36	00 0013 154 0	CABLE CLAMP	NW 8,5	1	8)
37	00 0202 240 0	HOSE	A 6X10	2	9)
38	00 0239 387 0	CONTACT WASHER	A8-8,2X18X1,4	2	8)
39	00 0236 200 0	HEXAGON HEAD BOLT	M8X20	2	8)
40	00 1804 243 1	GUARD		1	
40	00 0200 706 0	EDGE PROTECTOR	10X14,5X3,5	1	10)
41	00 0239 388 0	CONTACT WASHER	A10-10,2X22,25X1,6	3	
42	00 0237 382 0	HEXAGON HEAD BOLT	M10X20	3	
43	00 1802 723 0	BLIND PLUG		1	11)
44	00 1805 014 2	CLUTCH	D90X73,3	1	
45	00 0505 956 1	O-RING	68,7 X 6	3	12)

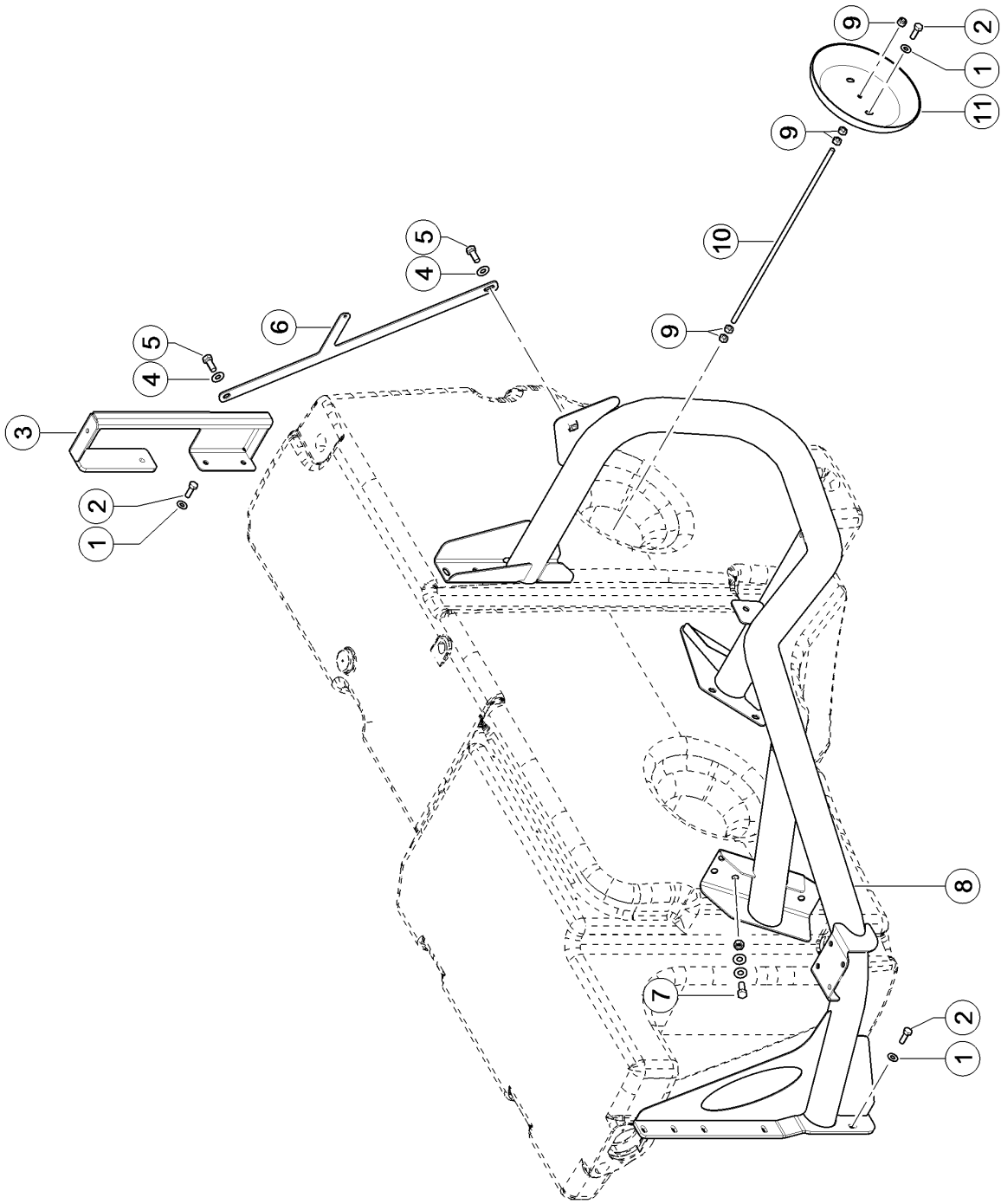
100 FUEL TANK

Pos.	Part No.	Description	Dimension	Quantity	Conditions
46	00 0505 955 1	BLIND PLUG	NORMAQUICK PS3 NW50 VDA	1	13)
46	00 1804 102 1	BLIND PLUG	D90X62,5	1	14)
46	00 1804 006 3	CLUTCH	PS3-NW50-M76X6	1	15)
46	00 1805 014 2	CLUTCH	D90X73,3	1	16)
46	00 1804 074 0	SOCKET		1	17)
47	00 0217 912 0	BLIND PLUG	NQ V2-NW27	1	13)
47	00 1802 723 0	BLIND PLUG		1	18)
47	00 1802 724 0	SOCKET		1	19)
48	00 1804 006 3	CLUTCH	PS3-NW50-M76X6	1	15)
48	00 0505 955 1	BLIND PLUG	NORMAQUICK PS3 NW50 VDA	1	13)
48	00 1805 150 0	CLUTCH		1	14)
48	00 1805 014 2	CLUTCH	D90X73,3	1	16)
48	00 1804 075 0	SOCKET	D90X85,5	1	17)
50	00 1804 166 0	SUPPORT	10X16X23	4	12)
51	00 1116 932 0	PT SCREW	K50X16-T20-WN1451	4	12)
52	00 0217 507 0	PIPE BRACKET	NW 7,5	3	12)
52	00 0216 341 0	HOLDER CLAMP	D1-12X20	4	17)
1)	Remarks		with Item 2 - 8		
2)	Remarks		with Item 1, 11 - 18, 44 - 45		
3)	Remarks		1290mm long		
4)	CCN	CCN-B043	fuel level sensor without 783 653.0		
5)	Remarks		As per requirement.		
6)	Equipment	MD_P14_0080	Fuel tank 800 litres with Item 20 - 22, 24, 26, 32, 46 - 48		
7)	Equipment	MD_P14_0115	Fuel tank 1150 litres with Item 20 - 22, 24, 26, 32, 46 - 48		
8)	Equipment	MD_P02_0254 MD_P02_0255	C13 R120 345/385 kW T3 C13K R120 345/385 kW T3		
9)	Equipment	MD_P02_0254 MD_P02_0255	C13 R120 345/385 kW T3 C13K R120 345/385 kW T3 1600 mm long		
10)	Remarks		450 mm long		
11)	Equipment	MD_P14_0080	Fuel tank 800 litres		
12)	machine no.		+ from C6600072		
13)	Equipment	MD_P14_0080	Fuel tank 800 litres + from C6600897		
14)	Equipment	MD_P14_0080	Fuel tank 800 litres + from C6600072 up to C6600896		
15)	Equipment	MD_P14_0115	Fuel tank 1150 litres + from C6600897		

100 FUEL TANK

16) Equipment		
machine no.	MD_P14_0115	Fuel tank 1150 litres + from C6600072 up to C6600896
17) machine no.		+ up to C6600071
18) Equipment		
machine no.	MD_P14_0080	Fuel tank 800 litres + up to C6600896
19) Equipment		
	MD_P14_0115	Fuel tank 1150 litres

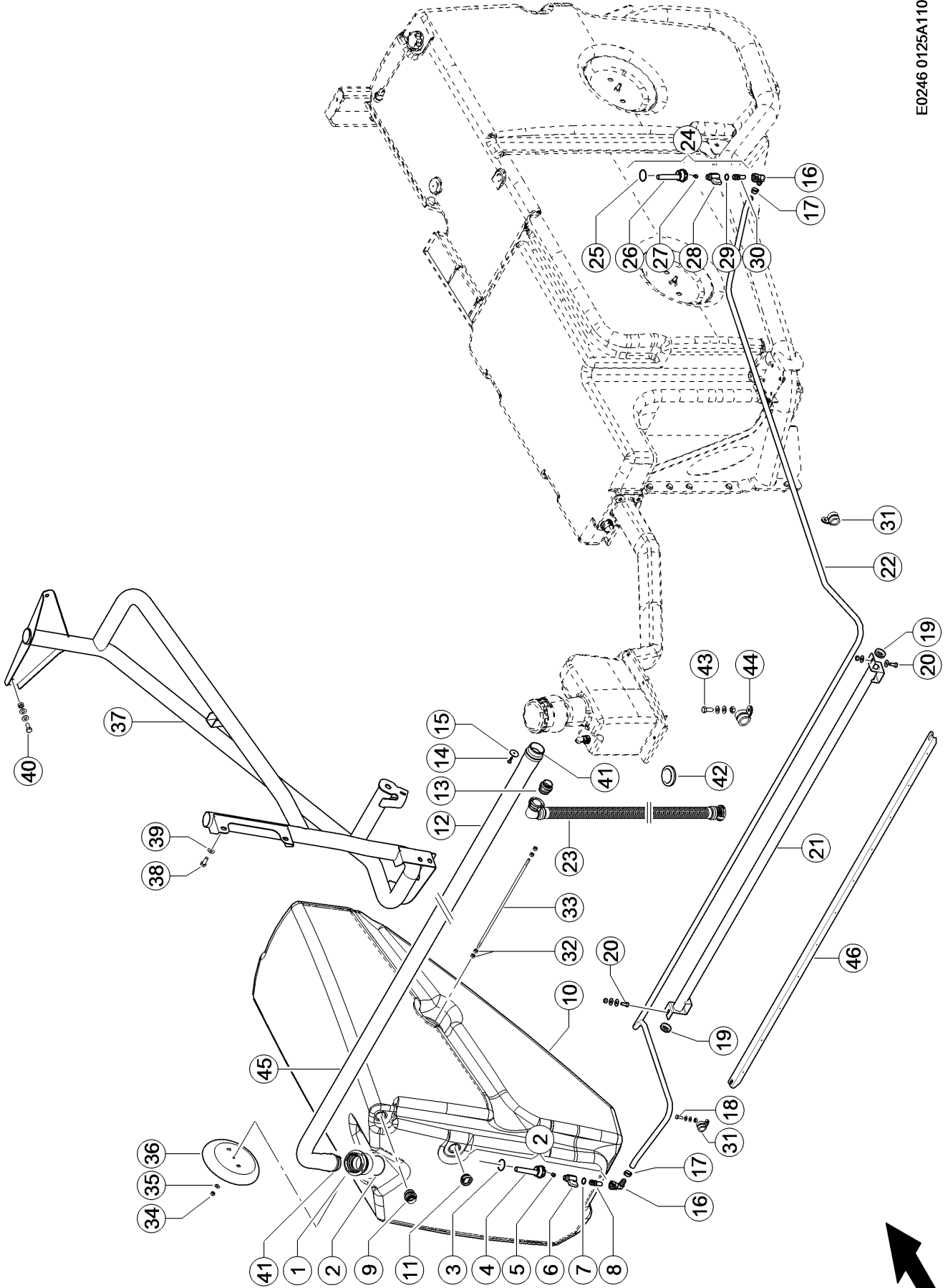
E0246 0125A100A 2



100 FUEL TANK

Pos.	Part No.	Description	Dimension	Quantity	Conditions
1	00 0239 388 0	CONTACT WASHER	A10-10,2X22,25X1,6	14	
2	00 0237 453 0	HEXAGON HEAD BOLT	M10X30	14	
3	00 1802 739 3	SUPPORT		1	
4	00 0239 389 0	CONTACT WASHER	A12	2	
5	00 0237 461 0	HEXAGON HEAD BOLT	M12X30	2	
6	00 1802 746 3	BRACE	4X153,5X655,3	1	
7	00 0237 461 0	HEXAGON HEAD BOLT	M12X30	3	
7	00 0239 389 0	CONTACT WASHER	A12	6	
7	00 0236 172 0	HEXAGONAL NUT	M12	3	
8	00 1802 661 2	TANK SUPPORT	800 LTR	1	
9	00 0236 171 0	HEXAGONAL NUT	M10	10	
10	00 0505 944 0	THREADED ROD	M10X530	2	
11	00 0548 224 1	WASHER		2	

E0246 0125A110A 1



110 ADITIONAL FUEL TANK 1)

Pos.	Part No.	Description	Dimension	Quantity	Conditions
1	00 1804 006 3	CLUTCH	PS3-NW50-M76X6	1	2)
1	00 1805 150 0	CLUTCH		1	3)
1	00 1805 151 0	BRACKET	NQ PS3 NW5	1	4)
1	00 1805 152 0	O-RING	VERRIEGELUNG 56X4 VITON 60	1	4)
2	00 0505 956 1	O-RING	68,7 X 6	1	
3	00 0217 459 1	O-RING	27X4,0 -N	1	
4	00 0783 643 1	PLUG	WASSER + G3/8"	1	
5	00 0687 625 1	HEXAGON HEAD BOLT	M8X17 F. TANK	1	
6	00 0783 652 0	BALL-TYPE TAP	WASSERABLA DN8-I-G3/8XA-G3/8	1	
7	00 0216 366 0	O-RING	10,50X1,5 NBR80	1	
8	00 0783 644 1	ADAPTOR	G3/8"- 1/2" SAE J 2044	1	
9	00 1802 724 0	SOCKET		1	
10	00 1804 334 4	ADDITIONAL TANK		1	5)
11	00 0238 995 1	PLUG	D46,0-F	2	
12	00 1805 028 1	FILLER TUBE	D58X2230	1	
13	00 1802 724 0	SOCKET		1	
14	00 0217 504 0	SCREW	K60X20-T25-WN1451	3	
15	00 0236 823 0	WASHER	6,5X30X3	3	
16	00 0798 863 0	CONNECTOR	NORMAQUICK S NW	2	
17	00 0216 413 0	1-EAR-CLAMP	1/2"-10- 16-18	2	6)
17	00 0238 269 0	2-EAR-CLAMP	15-18	2	7)
18	00 0236 200 0	HEXAGON HEAD BOLT	M8X20	3	
18	00 0239 387 0	CONTACT WASHER	A8-8,2X18X1,4	3	
18	00 0236 170 0	HEXAGONAL NUT	M8	3	
19	00 0238 250 0	GROMMET	A 24X30X3,5	2	7)
20	00 0236 200 0	HEXAGON HEAD BOLT	M8X20	2	
20	00 0239 393 1	CONTACT WASHER	B 8 -8.2X22X1,9	4	
20	00 0236 170 0	HEXAGONAL NUT	M8	2	
21	00 0505 868 1	TUBE	1700 HYB	1	7)
22	00 0205 524 2	HOSE	11X3,5 ROLLE, LSN NOTWEN	1	8)
23	00 0505 705 4	HOSE		1	
25	00 0217 459 1	O-RING	27X4,0 -N	1	
26	00 0783 643 1	PLUG	WASSER + G3/8"	1	
27	00 0687 625 1	HEXAGON HEAD BOLT	M8X17 F. TANK	1	
28	00 0783 652 0	BALL-TYPE TAP	WASSERABLA DN8-I-G3/8XA-G3/8	1	
29	00 0216 366 0	O-RING	10,50X1,5 NBR80	1	
30	00 0783 644 1	ADAPTOR	G3/8"- 1/2" SAE J 2044	1	
31	00 0216 156 0	PIPE CLAMP	D1-19X20	4	
32	00 0236 171 0	HEXAGONAL NUT	M10	4	
33	00 1805 531 0	THREADED ROD	M10X485	1	
34	00 0238 316 0	LOCK NUT	M10	1	9)
34	00 0236 171 0	HEXAGONAL NUT	M10	1	10)
35	00 0239 394 1	CONTACT WASHER	B10	1	
36	00 0548 224 1	WASHER		1	
37	00 1804 335 2	SUPPORT TUBE		1	
38	00 0237 383 0	HEXAGON HEAD BOLT	M10X25	5	
39	00 0239 388 0	CONTACT WASHER	A10-10,2X22,25X1,6	5	
40	00 0237 383 0	HEXAGON HEAD BOLT	M10X25	2	
40	00 0239 388 0	CONTACT WASHER	A10-10,2X22,25X1,6	2	

110 ADITIONAL FUEL TANK 1)

Pos.	Part No.	Description	Dimension	Quantity	Conditions
40	00 0236 171 0	HEXAGONAL NUT	M10	2	
41	00 1805 023 2	SOCKET	D71X72 NORMA PS3 /WELLRO	2	11)
42	00 0214 039 1	CABLE RING	A 40X49X4	2	
43	00 0233 486 0	COACH BOLT	M 8X 35	5	
43	00 0239 387 0	CONTACT WASHER	A8-8,2X18X1,4	5	
43	00 0236 170 0	HEXAGONAL NUT	M8	5	
44	00 0215 083 0	HOLDER CLAMP	D1-30X25	5	
45	00 1805 038 3	FILLER TUBE	FUER 1700 ZUSATZTANK	1	12)
46	00 1815 971 0	SUPPORT	2X90,9X1780	1	6)

1) Equipment

MD_P14_0115

Fuel tank 1150 litres

2) machine no.+ from C6600897
with Item 2**3) machine no.**+ up to C6600896
with Item 2**4) machine no.**

+ from C6600011

5) Remarks

with Item 1, 2, 13

6) machine no.

+ from C6601436

7) machine no.

+ up to C6601435

8) Remarks

4770 mm long

9) machine no.

+ from C6600072

10) machine no.

+ up to C6600071

11) machine no.

+ up to C6600896

12) Remarks

with Item 41

Thank you so much for reading.
Please click the “Buy Now!”
button below to download the
complete manual.



After you pay.

You can download the most
perfect and complete manual in
the world immediately.

Our support email:

ebooklibonline@outlook.com