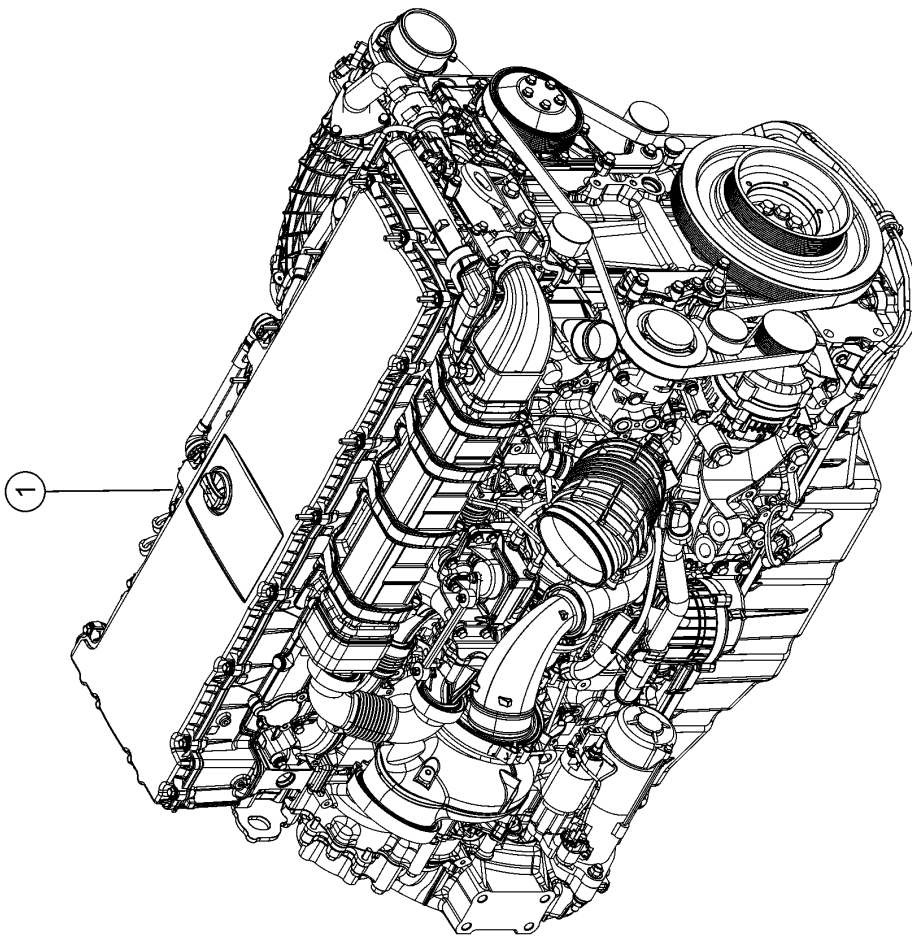


E0376 0102A010A 1



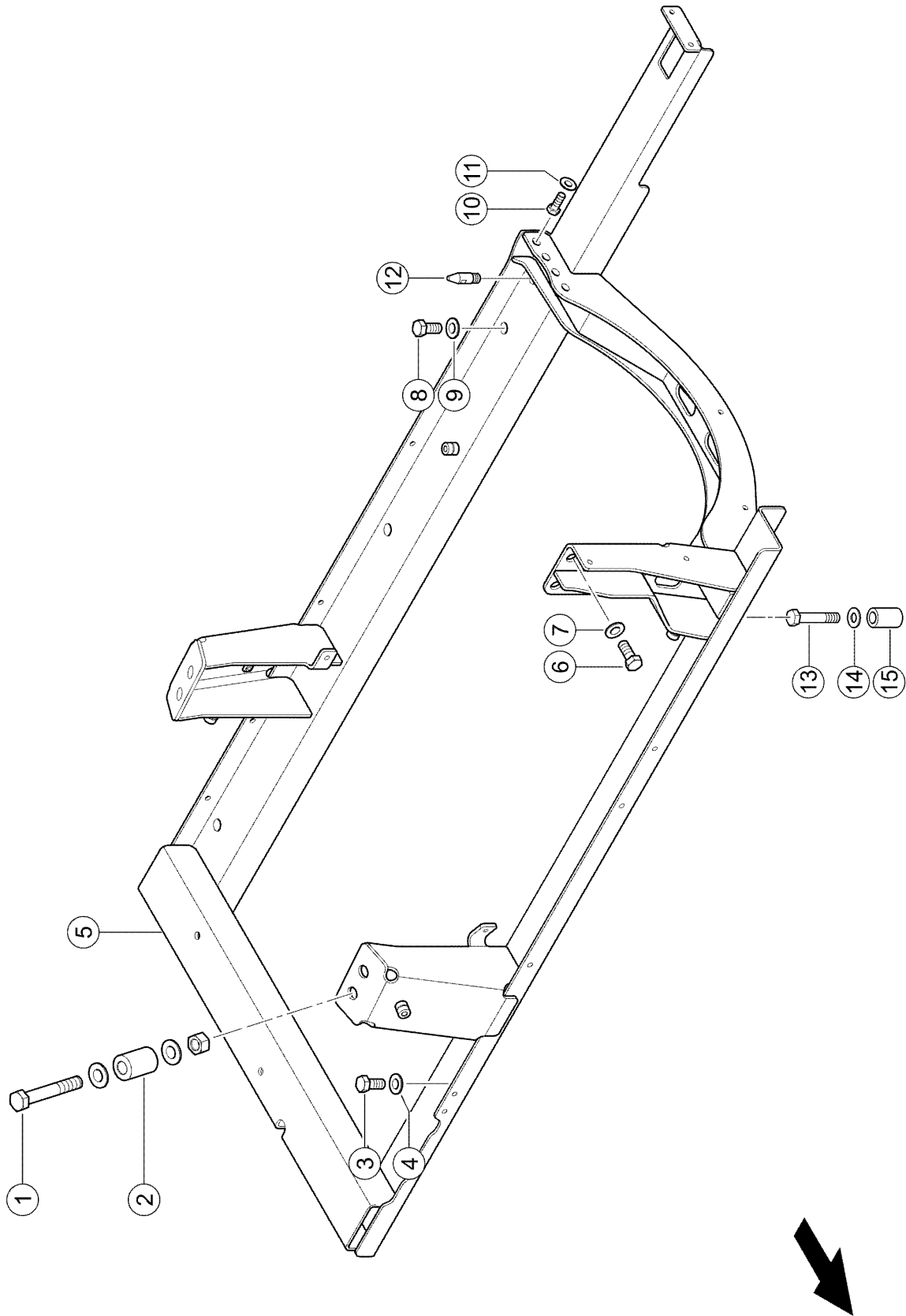
**010 COMPLETE ENGINE**

Pos.	Part No.	Description	Dimension	Quantity	Conditions
1	<b>00 0781 452 2</b>	ENGINE	OM473LA 430KW T4F	1	1)
1	<b>00 2644 231 0</b>	ENGINE	OM473LA 430KW E4	1	2)
1	<b>00 1984 638 0</b>	ENGINE	SE REMAN OM 473 LA 430KW	1	3)
1	<b>00 1984 744 0</b>	ENGINE	REMAN OM 473 LA 430KW T4	1	4)
1	<b>00 0781 453 2</b>	ENGINE	OM473LA 430KW T4F	1	5)
1	<b>00 2644 232 0</b>	ENGINE	OM473LA 430KW E4	1	6)
1	<b>00 1984 742 0</b>	ENGINE	SE REMAN OM 473 LA 430KW T4	1	7)
1	<b>00 1984 644 1</b>	ENGINE	REMAN OM 473 LA 430KW	1	8)
1	<b>00 0773 926 2</b>	ENGINE	OM473LA 460KW T4F	1	9)
1	<b>00 2644 236 0</b>	ENGINE	OM473LA 460KW E4	1	10)
1	<b>00 1984 646 0</b>	ENGINE	SE REMAN OM 473 LA 460KW	1	11)
1	<b>00 1984 740 0</b>	ENGINE	REMAN OM 473 LA 460KW T4	1	12)
1	<b>00 0773 927 2</b>	ENGINE	OM473LA 460KW T4F	1	13)
1	<b>00 2644 238 0</b>	ENGINE	OM473LA 460KW E4	1	14)
1	<b>00 1984 640 0</b>	ENGINE	SE REMAN OM 473 LA 460KW	1	15)
1	<b>00 2599 958 0</b>	ENGINE	2206D 385KW ECE	1	16)
1	<b>00 2599 959 0</b>	ENGINE	R120 T3 2206D 385KW ECE R120 T3	1	17)

<b>1)</b>	<b>Equipment</b>	MD_P02_0770	Mercedes-Benz OM473 LA - 430 kW/585 hp (T4) + up to C7601759
<b>2)</b>	<b>Equipment</b>	MD_P02_0770	Mercedes-Benz OM473 LA - 430 kW/585 hp (T4) + from C7601760
<b>3)</b>	<b>Equipment</b>	MD_P02_0770	Mercedes-Benz OM473 LA - 430 kW/585 hp (T4) Exchange / Reman; not for US
<b>4)</b>	<b>Equipment</b>	MD_P02_0770	Mercedes-Benz OM473 LA - 430 kW/585 hp (T4) Exchange / Reman; for USA
<b>5)</b>	<b>Equipment</b>	MD_P02_0771	Mercedes-Benz OM473 LA - 430 kW/585 PS (T4) with air compressor + up to C7601759
<b>6)</b>	<b>Equipment</b>	MD_P02_0771	Mercedes-Benz OM473 LA - 430 kW/585 PS (T4) with air compressor + from C7601760
<b>7)</b>	<b>Equipment</b>	MD_P02_0771	Mercedes-Benz OM473 LA - 430 kW/585 PS (T4) with air compressor Exchange / Reman; for USA
<b>8)</b>	<b>Equipment</b>	MD_P02_0771	Mercedes-Benz OM473 LA - 430 kW/585 PS (T4) with air compressor Exchange / Reman; not for US
<b>9)</b>	<b>Equipment</b>	MD_P02_0772	Mercedes-Benz OM473 LA - 460 kW/626 hp (T4) + up to C7601705

## 010 COMPLETE ENGINE

<b>10) Equipment</b>		
<b>machine no.</b>	MD_P02_0772	Mercedes-Benz OM473 LA - 460 kW/626 hp (T4) + from C7601706
<b>11) Equipment</b>		
<b>Remarks</b>	MD_P02_0772	Mercedes-Benz OM473 LA - 460 kW/626 hp (T4) Exchange / Reman; not for US
<b>12) Equipment</b>		
<b>Remarks</b>	MD_P02_0772	Mercedes-Benz OM473 LA - 460 kW/626 hp (T4) Exchange / Reman; for USA
<b>13) Equipment</b>		
<b>machine no.</b>	MD_P02_0773	Mercedes-Benz OM473 LA - 460 kW/626 hp (T4) with air compressor + up to C7601705
<b>14) Equipment</b>		
<b>machine no.</b>	MD_P02_0773	Mercedes-Benz OM473 LA - 460 kW/626 hp (T4) with air compressor + from C7601706
<b>15) Equipment</b>		
<b>Remarks</b>	MD_P02_0773	Mercedes-Benz OM473 LA - 460 kW/626 hp (T4) with air compressor Exchange / Reman; not for US
<b>16) Equipment</b>		
	MD_P02_0854	Perkins 2206D ECE R120 385KW T3
	MD_P02_0880	Perkins 2206D ECE R120 385KW T3
<b>17) Equipment</b>		
	MD_P02_0855	Perkins 2206D K ECE R120 385KW T3 with air compressor
	MD_P02_0881	Perkins 2206D K ECE R120 385KW T3 with air compressor



**100 ENGINE SUSPENSION 1)**

Pos.	Part No.	Description	Dimension	Quantity	Conditions
1	<b>00 0211 186 0</b>	HEXAGON HEAD BOLT	M20X130	4	
1	<b>00 0212 191 0</b>	CONTACT WASHER	A20	8	
1	<b>00 0237 521 0</b>	HEX.NUT	M20	4	
2	<b>00 0796 231 0</b>	BUSHING	D42D20.5X62	4	
3	<b>00 0236 230 0</b>	HEXAGON HEAD BOLT	M16X35	3	
4	<b>00 0239 391 0</b>	CONTACT WASHER	A16	3	
5	<b>00 2599 071 4</b>	ENGINE MOUNTING	OM473LA	1	
6	<b>00 0233 066 0</b>	HEXAGON HEAD BOLT	M16X1,5X 40	4	
7	<b>00 0239 391 0</b>	CONTACT WASHER	A16	4	
8	<b>00 0236 230 0</b>	HEXAGON HEAD BOLT	M16X35	4	2)
8	<b>00 0236 230 0</b>	HEXAGON HEAD BOLT	M16X35	3	3)
9	<b>00 0239 391 0</b>	CONTACT WASHER	A16	4	2)
9	<b>00 0239 391 0</b>	CONTACT WASHER	A16	3	3)
10	<b>00 0237 458 0</b>	HEXAGON HEAD BOLT	M12X20	4	
11	<b>00 0239 389 0</b>	CONTACT WASHER	A12	4	
12	<b>00 2598 319 0</b>	THREADED BOLT		1	3)
13	<b>00 0239 415 0</b>	HEXAGON HEAD BOLT	M16X85	1	
14	<b>00 0239 391 0</b>	CONTACT WASHER	A16	1	
15	<b>00 0796 273 0</b>	BUSHING	D32/D18X50	1	

**1) Equipment**

MD_P02_0770	Mercedes-Benz OM473 LA - 430 kW/585 hp (T4)
MD_P02_0771	Mercedes-Benz OM473 LA - 430 kW/585 PS (T4) with air compressor
MD_P02_0772	Mercedes-Benz OM473 LA - 460 kW/626 hp (T4)
MD_P02_0773	Mercedes-Benz OM473 LA - 460 kW/626 hp (T4) with air compressor

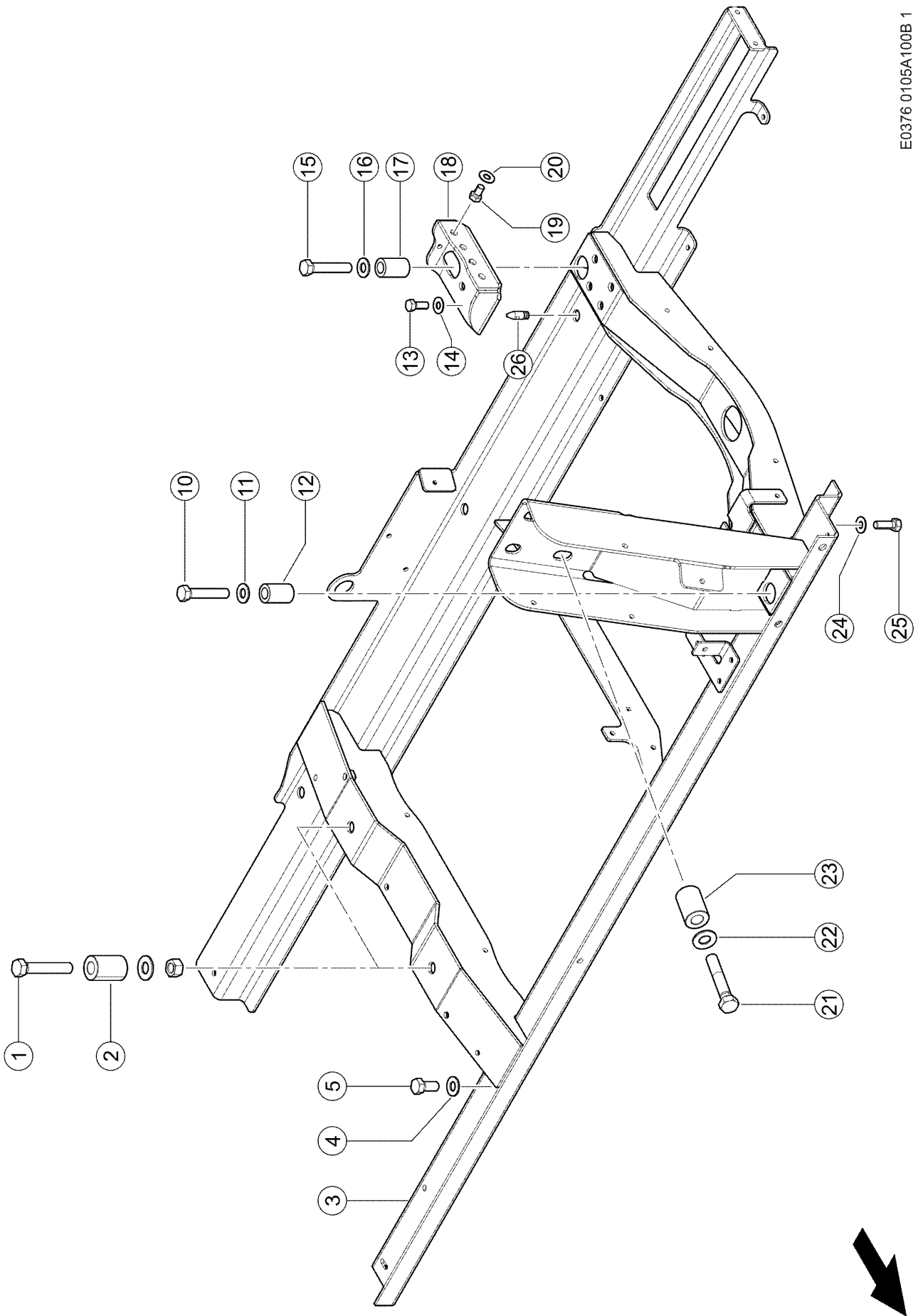
**2) machine no.**

+ up to C7600531

**3) machine no.**

+ from C7600532

E0376 0105A100B 1



**100 ENGINE SUSPENSION 1)**

Pos.	Part No.	Description	Dimension	Quantity	Conditions
1	<b>00 0211 573 0</b>	HEXAGON HEAD BOLT	M18-100	2	
1	<b>00 0212 191 0</b>	CONTACT WASHER	A20	4	
1	<b>00 0242 848 0</b>	HEXAGONAL NUT	M18	2	
2	<b>00 0796 231 0</b>	BUSHING	D42D20.5X62	2	
3	<b>00 0799 383 3</b>	ENGINE MOUNTING		1	
4	<b>00 0239 391 0</b>	CONTACT WASHER	A16	6	2)
4	<b>00 0239 391 0</b>	CONTACT WASHER	A16	5	3)
5	<b>00 0236 230 0</b>	HEXAGON HEAD BOLT	M16X35	6	2)
5	<b>00 0236 230 0</b>	HEXAGON HEAD BOLT	M16X35	5	3)
10	<b>00 0239 415 0</b>	HEXAGON HEAD BOLT	M16X85	1	
11	<b>00 0239 391 0</b>	CONTACT WASHER	A16	1	
12	<b>00 0796 273 0</b>	BUSHING	D32/D18X50	1	
13	<b>00 0237 461 0</b>	HEXAGON HEAD BOLT	M12X30	4	
14	<b>00 0239 389 0</b>	CONTACT WASHER	A12	4	
15	<b>00 0239 415 0</b>	HEXAGON HEAD BOLT	M16X85	1	
16	<b>00 0239 391 0</b>	CONTACT WASHER	A16	1	
17	<b>00 0796 273 0</b>	BUSHING	D32/D18X50	1	
18	<b>00 0799 297 0</b>	SUPPORT	6X171,6X271,6	1	
19	<b>00 0237 458 0</b>	HEXAGON HEAD BOLT	M12X20	4	
20	<b>00 0239 389 0</b>	CONTACT WASHER	A12	4	
21	<b>00 0215 631 0</b>	HEXAGON HEAD BOLT	3/4-10UNC-2AX4 1/2	4	
22	<b>00 0212 191 0</b>	CONTACT WASHER	A20	4	
23	<b>00 0796 231 0</b>	BUSHING	D42D20.5X62	4	
24	<b>00 0239 389 0</b>	CONTACT WASHER	A12	1	
25	<b>00 0211 465 0</b>	HEX.HEAD BOLT	1/2-13UNC-2AX1 1/2	1	
26	<b>00 2598 319 0</b>	THREADED BOLT		1	3)

**1) Equipment**

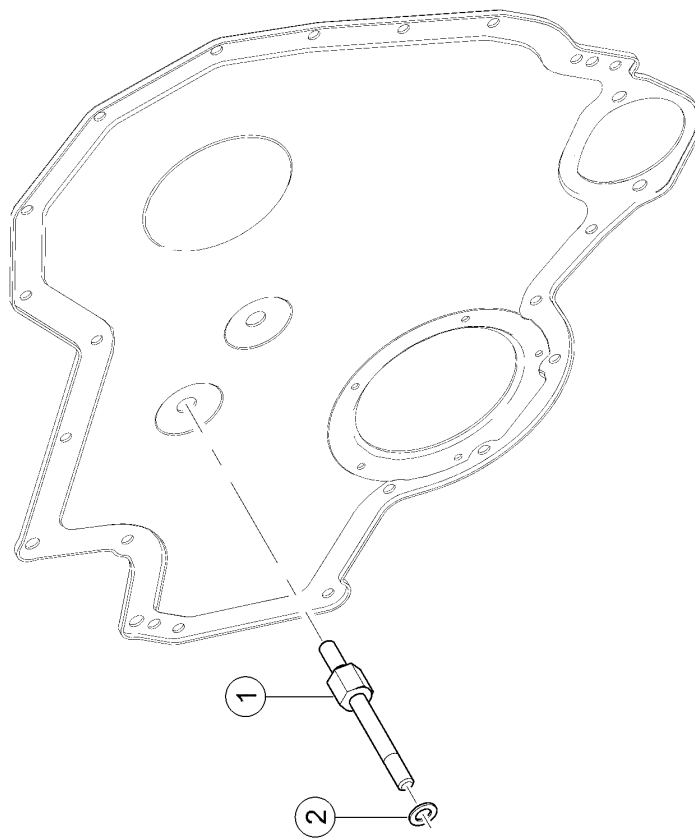
MD_P02_0256	C13 ECE R120 385 kW@1900 rpm Tier3 / Stage III
MD_P02_0257	C13 DL compr. ECE R120 385 kW@1900 rpm Tier3 / Stage III
MD_P02_0854	Perkins 2206D ECE R120 385KW T3
MD_P02_0855	Perkins 2206D K ECE R120 385KW T3 with air compressor

**2) machine no.**

+ up to C7600531

**3) machine no.**

+ from C7600532





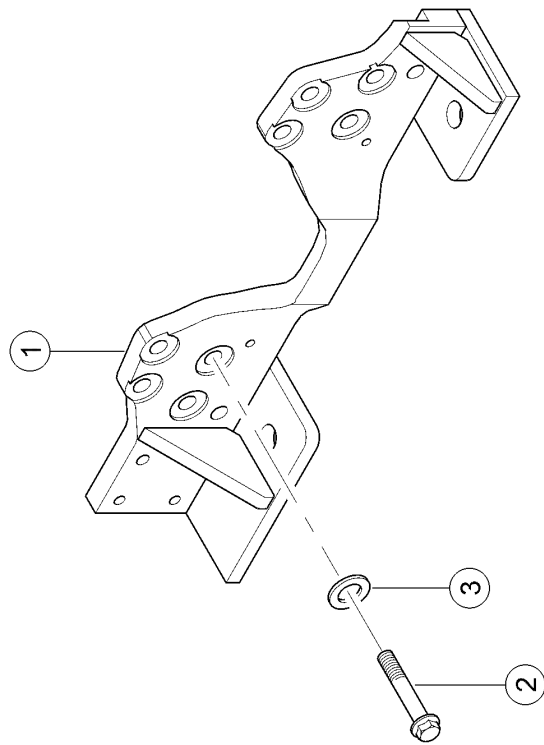
**100 ENGINE SUSPENSION 1)**

Pos.	Part No.	Description	Dimension	Quantity	Conditions
1	<b>00 1999 179 0</b>	STUD		2	
2	<b>00 1999 246 0</b>	WASHER		2	

**1) Equipment**

MD_P02_0854	Perkins 2206D ECE R120 385KW T3
MD_P02_0855	Perkins 2206D K ECE R120 385KW T3 with air compressor
MD_P02_0880	Perkins 2206D ECE R120 385KW T3
MD_P02_0881	Perkins 2206D K ECE R120 385KW T3 with air compressor

PK2591902



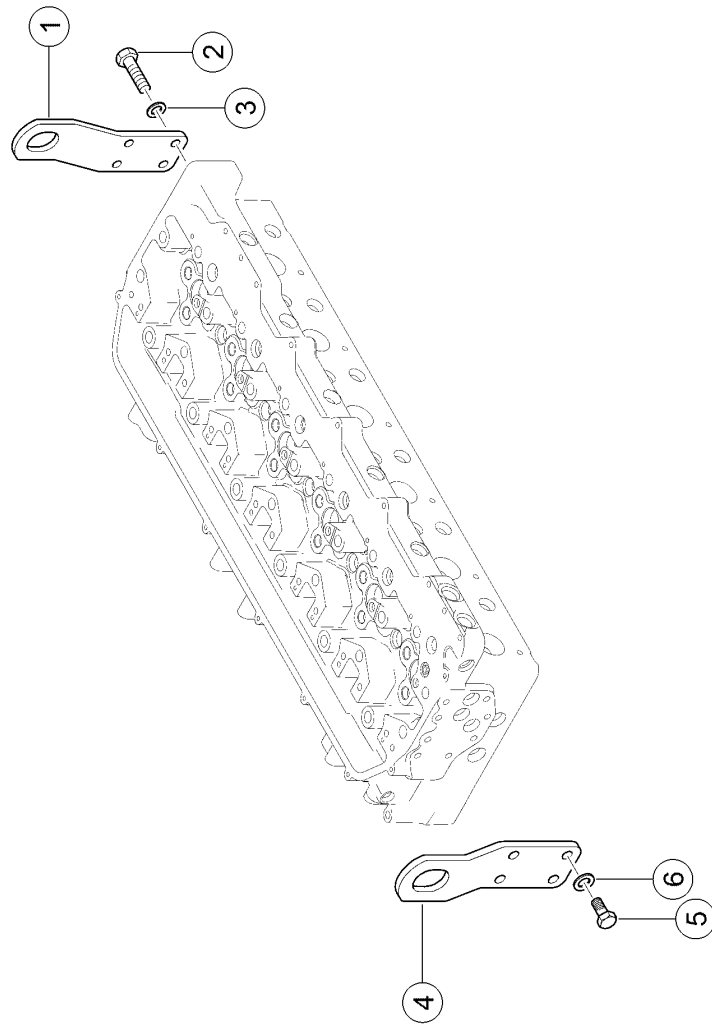
**100 ENGINE SUSPENSION 1)**

Pos.	Part No.	Description	Dimension	Quantity	Conditions
1	<b>00 1998 944 0</b>	SUSPENSION		1	
2	<b>00 1999 239 0</b>	SCREW		8	
3	<b>00 1999 248 0</b>	WASHER		8	

**1) Equipment**

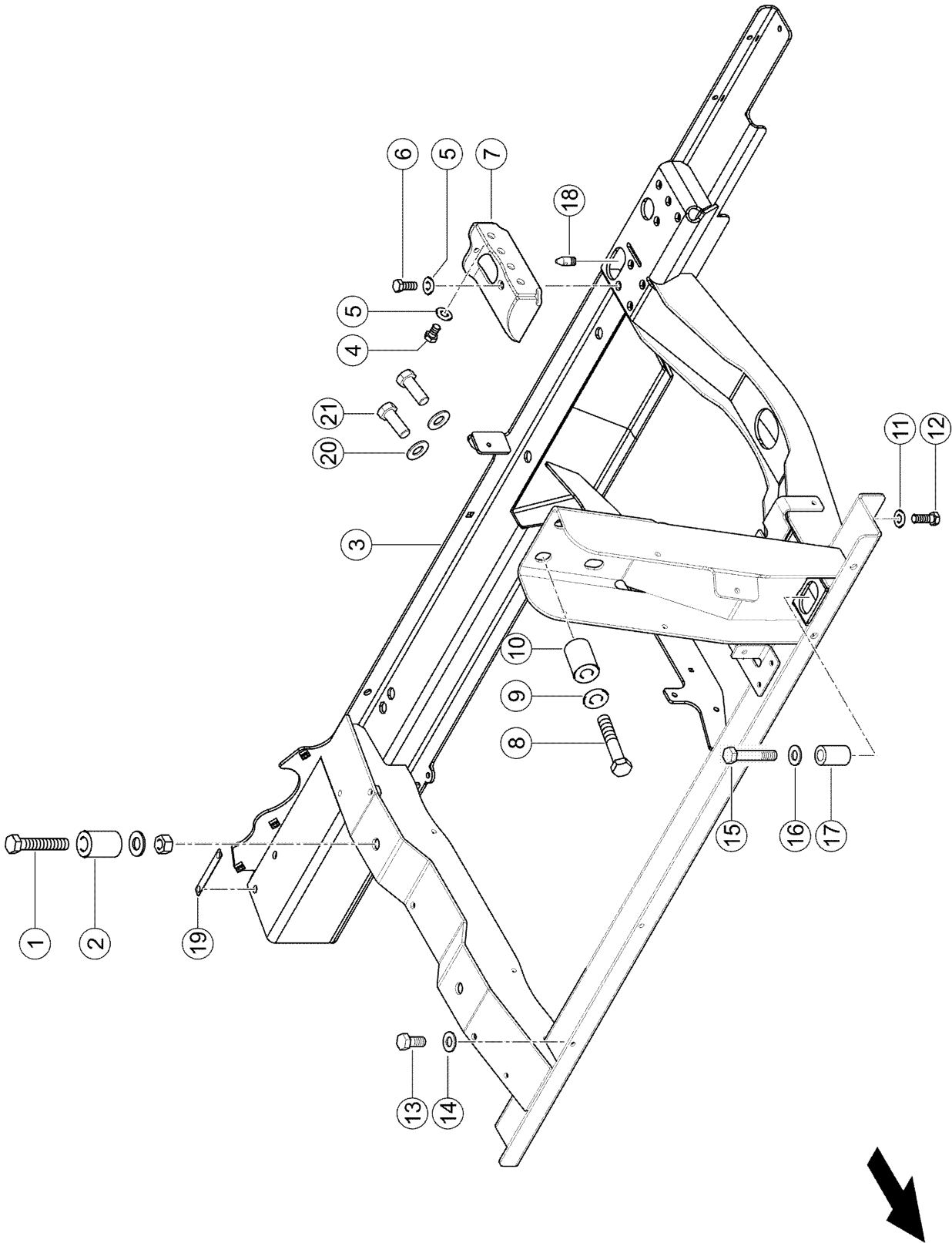
MD_P02_0854	Perkins 2206D ECE R120 385KW T3
MD_P02_0855	Perkins 2206D K ECE R120 385KW T3 with air compressor
MD_P02_0880	Perkins 2206D ECE R120 385KW T3
MD_P02_0881	Perkins 2206D K ECE R120 385KW T3 with air compressor

PK2554647



**100 ENGINE SUSPENSION 1)**

Pos.	Part No.	Description	Dimension	Quantity	Conditions
1	<b>00 1999 111 0</b>	SUSPENSION		1	
2	<b>00 1999 175 0</b>	SCREW		4	
3	<b>00 1999 248 0</b>	WASHER		4	
4	<b>00 1999 111 0</b>	SUSPENSION		1	
5	<b>00 1999 185 0</b>	SCREW		4	
6	<b>00 1999 248 0</b>	WASHER		4	
<b>1) Equipment</b>					
		MD_P02_0854	Perkins 2206D ECE R120 385KW T3		
		MD_P02_0855	Perkins 2206D K ECE R120 385KW T3 with air compressor		
		MD_P02_0880	Perkins 2206D ECE R120 385KW T3		
		MD_P02_0881	Perkins 2206D K ECE R120 385KW T3 with air compressor		



**100 ENGINE SUSPENSION 1)**

Pos.	Part No.	Description	Dimension	Quantity	Conditions
1	<b>00 0211 573 0</b>	HEXAGON HEAD BOLT	M18-100	2	
1	<b>00 0212 191 0</b>	CONTACT WASHER	A20	2	
1	<b>00 0242 848 0</b>	HEXAGONAL NUT	M18	2	
2	<b>00 0796 231 0</b>	BUSHING	D42D20.5X62	2	
3	<b>00 0780 900 4</b>	ENGINE MOUNTING		1	
4	<b>00 0237 458 0</b>	HEXAGON HEAD BOLT	M12X20	4	
5	<b>00 0239 389 0</b>	CONTACT WASHER	A12	8	
6	<b>00 0237 461 0</b>	HEXAGON HEAD BOLT	M12X30	4	
7	<b>00 0780 897 0</b>	SUPPORT	6X171X271	1	
8	<b>00 0215 631 0</b>	HEXAGON HEAD BOLT	3/4-10UNC-2AX4 1/2	4	
9	<b>00 0212 191 0</b>	CONTACT WASHER	A20	4	
10	<b>00 0796 231 0</b>	BUSHING	D42D20.5X62	4	
11	<b>00 0239 389 0</b>	CONTACT WASHER	A12	1	
12	<b>00 0211 465 0</b>	HEX.HEAD BOLT	1/2-13UNC-2AX1 1/2	1	
13	<b>00 0236 230 0</b>	HEXAGON HEAD BOLT	M16X35	6	
14	<b>00 0239 391 0</b>	CONTACT WASHER	A16	6	
15	<b>00 0239 415 0</b>	HEXAGON HEAD BOLT	M16X85	2	
16	<b>00 0239 391 0</b>	CONTACT WASHER	A16	2	
17	<b>00 0796 273 0</b>	BUSHING	D32/D18X50	2	
18	<b>00 2598 319 0</b>	THREADED BOLT		1	
19	<b>00 2598 984 0</b>	PLATE	96X16X1,5	1	2)
20	<b>00 0212 191 0</b>	CONTACT WASHER	A20	2	
21	<b>00 0214 077 0</b>	HEXAGON HEAD BOLT	3/4-10X2	2	

**1) Equipment**

MD\_P02\_0880

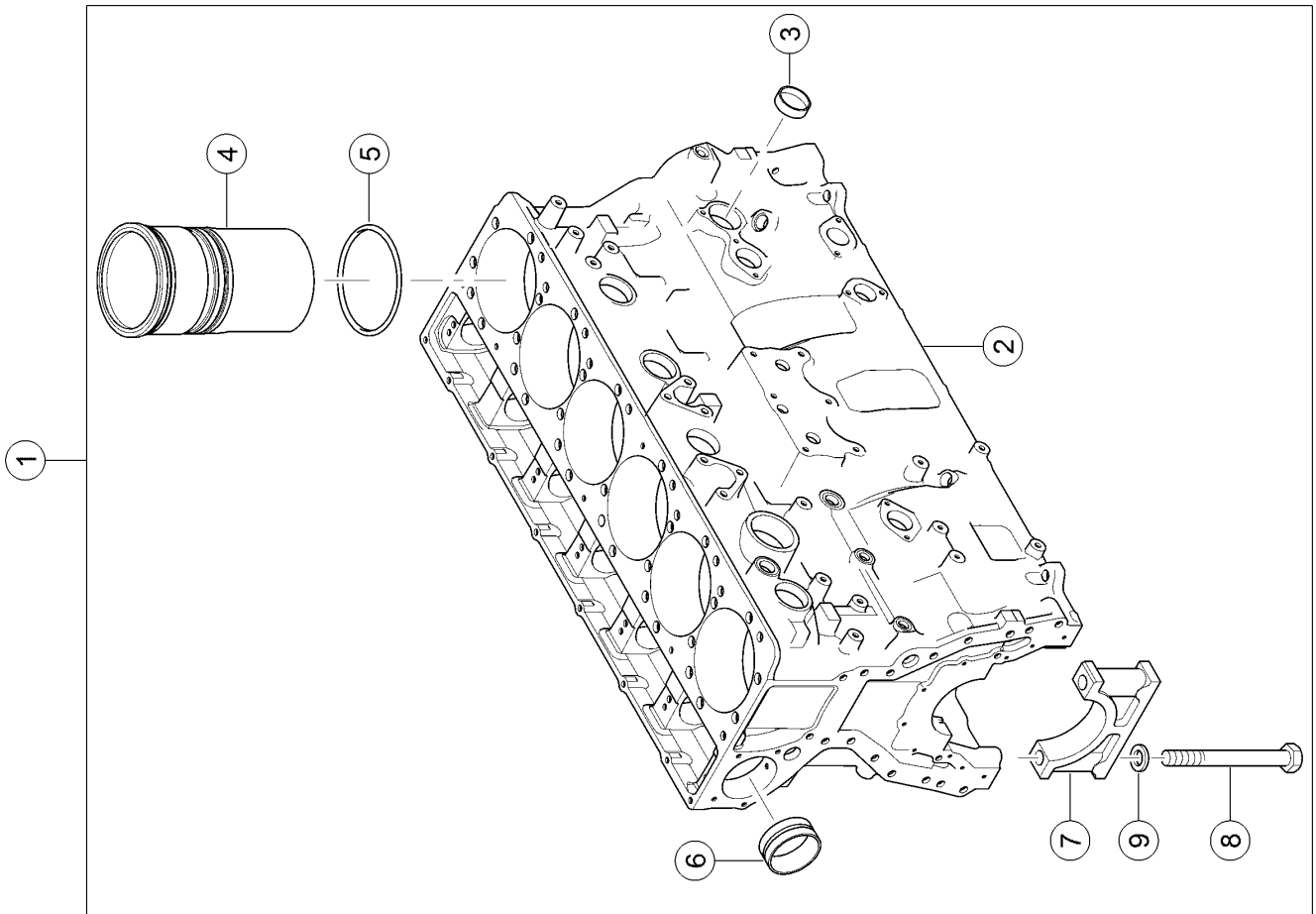
Perkins 2206D ECE R120 385KW T3

MD\_P02\_0881

Perkins 2206D K ECE R120 385KW T3 with air compressor

**2) machine no.**

+ from C7600011 up to C7601058





**100 CRANKCASE 1)**

Pos.	Part No.	Description	Dimension	Quantity	Conditions
1	<b>00 1999 578 0</b>	CYLINDER BLOCK		1	2)
3	<b>00 1999 191 0</b>	PLUG		5	
4	<b>00 1987 361 0</b>	BUSH		6	3)
4	<b>00 1999 109 0</b>	BUSH		6	4)
5	<b>00 1999 648 0</b>	GASKET		6	
6	<b>00 1999 207 0</b>	BEARING		7	
8	<b>00 1999 096 0</b>	SCREW		14	
9	<b>00 1999 095 0</b>	WASHER		14	

**1) Equipment**

MD_P02_0854	Perkins 2206D ECE R120 385KW T3
MD_P02_0855	Perkins 2206D K ECE R120 385KW T3 with air compressor
MD_P02_0880	Perkins 2206D ECE R120 385KW T3
MD_P02_0881	Perkins 2206D K ECE R120 385KW T3 with air compressor

**2) Remarks**

with Item 2 - 9

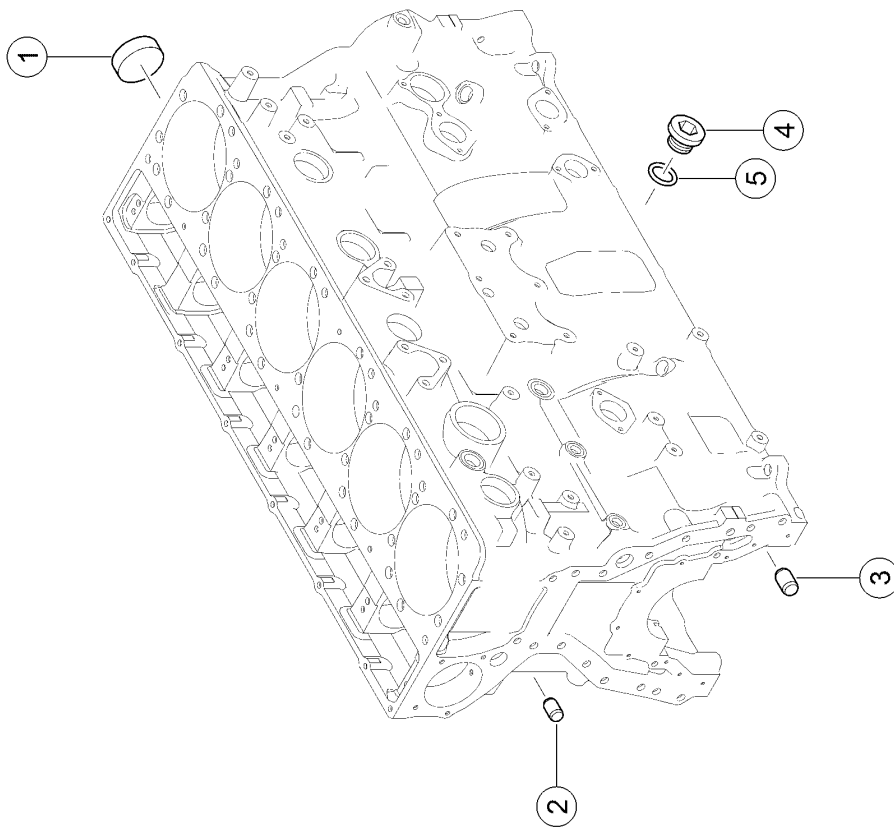
**3) Remarks**

new Version

**4) Remarks**

old Version

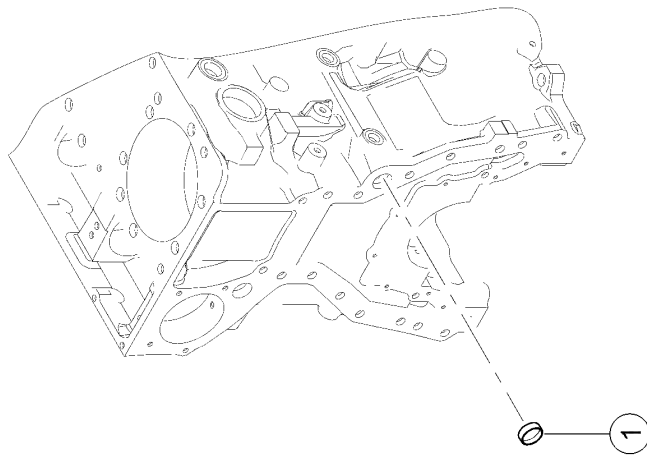
PK2407271B



**100 CRANKCASE 1)**

Pos.	Part No.	Description	Dimension	Quantity	Conditions
1	<b>00 1999 254 0</b>	PLUG		3	
2	<b>00 1999 194 0</b>	CYLINDRICAL PIN		2	
3	<b>00 1999 193 0</b>	CYLINDRICAL PIN		6	
4	<b>00 1998 966 0</b>	PLUG		3	
5	<b>00 1998 798 0</b>	O-RING		3	
<b>1) Equipment</b>					
		MD_P02_0854	Perkins 2206D ECE R120 385KW T3		
		MD_P02_0855	Perkins 2206D K ECE R120 385KW T3 with air compressor		
		MD_P02_0880	Perkins 2206D ECE R120 385KW T3		
		MD_P02_0881	Perkins 2206D K ECE R120 385KW T3 with air compressor		

PK1170165



**100 CRANKCASE 1)**

Pos.	Part No.	Description	Dimension	Quantity	Conditions
1	<b>00 1999 254 0</b>	PLUG		1	
<b>1) Equipment</b>					
		MD_P02_0854	Perkins 2206D ECE R120 385KW T3		
		MD_P02_0855	Perkins 2206D K ECE R120 385KW T3 with air compressor		
		MD_P02_0880	Perkins 2206D ECE R120 385KW T3		
		MD_P02_0881	Perkins 2206D K ECE R120 385KW T3 with air compressor		

Thank you so much for reading.  
Please click the “Buy Now!”  
button below to download the  
complete manual.



After you pay.

You can download the most  
perfect and complete manual in  
the world immediately.

Our support email:

[ebooklibonline@outlook.com](mailto:ebooklibonline@outlook.com)