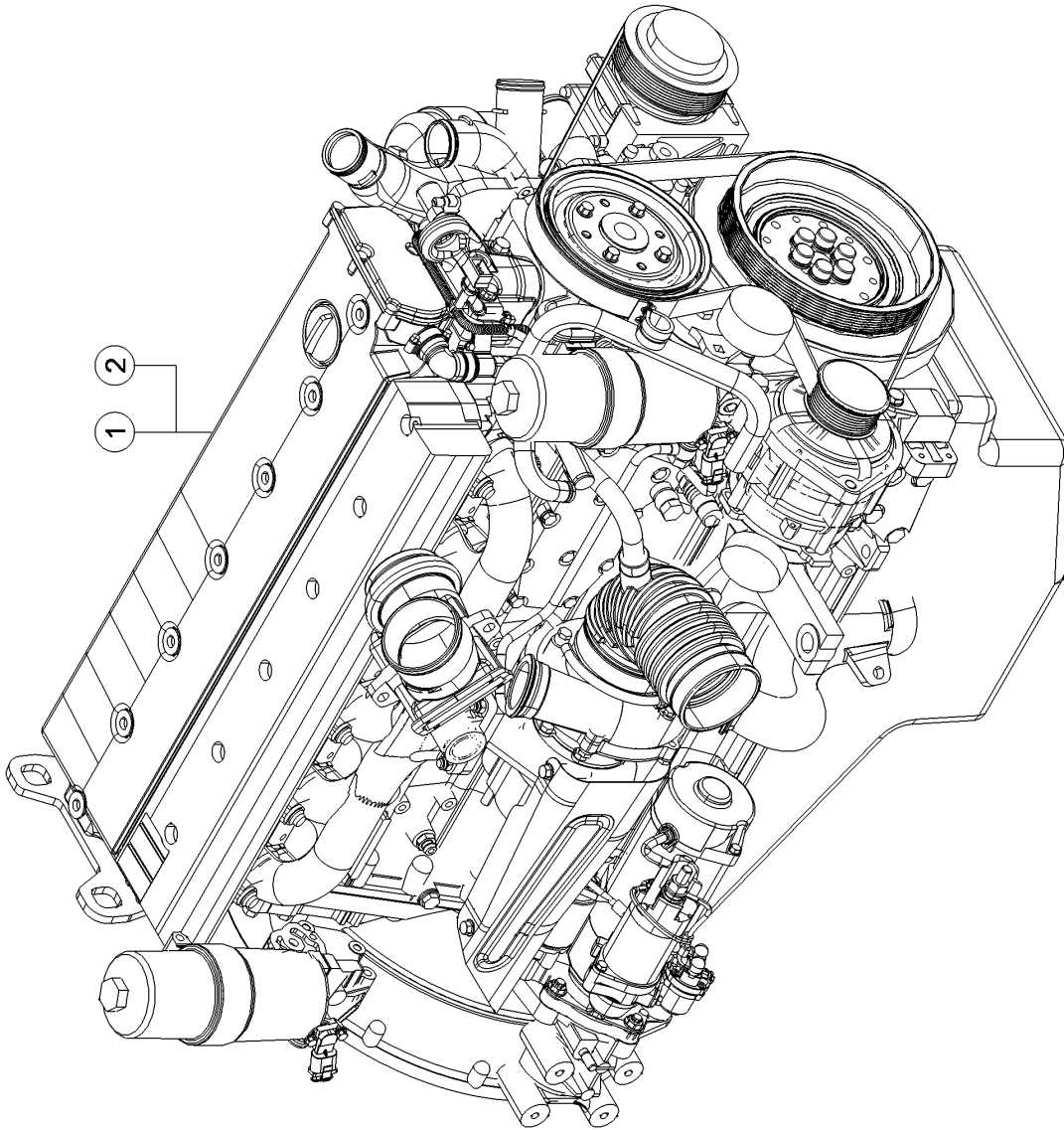


990

24190z00
MEGA 360



CLAAS

149064

010 COMPLETE ENGINE

Pos.	Part No.	Description	Dimension	Quantity	Conditions
1	00 0796 884 0	ENGINE	OM 906 LA 150KW	1	1)
1	00 0796 885 0	ENGINE	OM 906 LA 170KW	1	2)
1	00 0798 491 1	ENGINE	OM906LA-170KW-TI ER3	1	3)
1	00 0798 490 1	ENGINE	OM906LA-150KW-TI ER3	1	4)
1	00 0545 656 0	ENGINE	OM 906 LA 150KW	1	1)
1	00 0545 984 0	ENGINE	OM 906 LA 170KW	1	2)
1	00 0796 905 0	ENGINE	OM 906 LA 150KW	1	5)
1	00 0796 906 0	ENGINE	OM 906 LA 170KW	1	2)
2	00 1993 174 0	ENGINE	REMAN OM 906 LA 150KW	1	6)
2	00 1993 176 0	ENGINE	REMAN OM 906 LA 170KW	1	7)
2	00 1993 178 0	ENGINE	REMAN OM 906 LA 170KW TI	1	8)
2	00 1992 164 0	ENGINE	REMAN OM 906 LA 150KW	1	9)
2	00 1993 174 0	ENGINE	REMAN OM 906 LA 150KW	1	6)
2	00 1993 176 0	ENGINE	REMAN OM 906 LA 170KW	1	7)
2	00 1993 174 0	ENGINE	REMAN OM 906 LA 150KW	1	10)
2	00 1993 176 0	ENGINE	REMAN OM 906 LA 170KW	1	7)

1) Equipment

MD_P02_0188 Mercedes OM906LA 150KW(EWG)/136KW(ECE)

2) Equipment

MD_P02_0337 Mercedes OM906LA 170KW(EWG)/ 162KW(ECE)

3) Equipment

MD_P02_0363 OM906T3 EWG170kW/ECE162kW

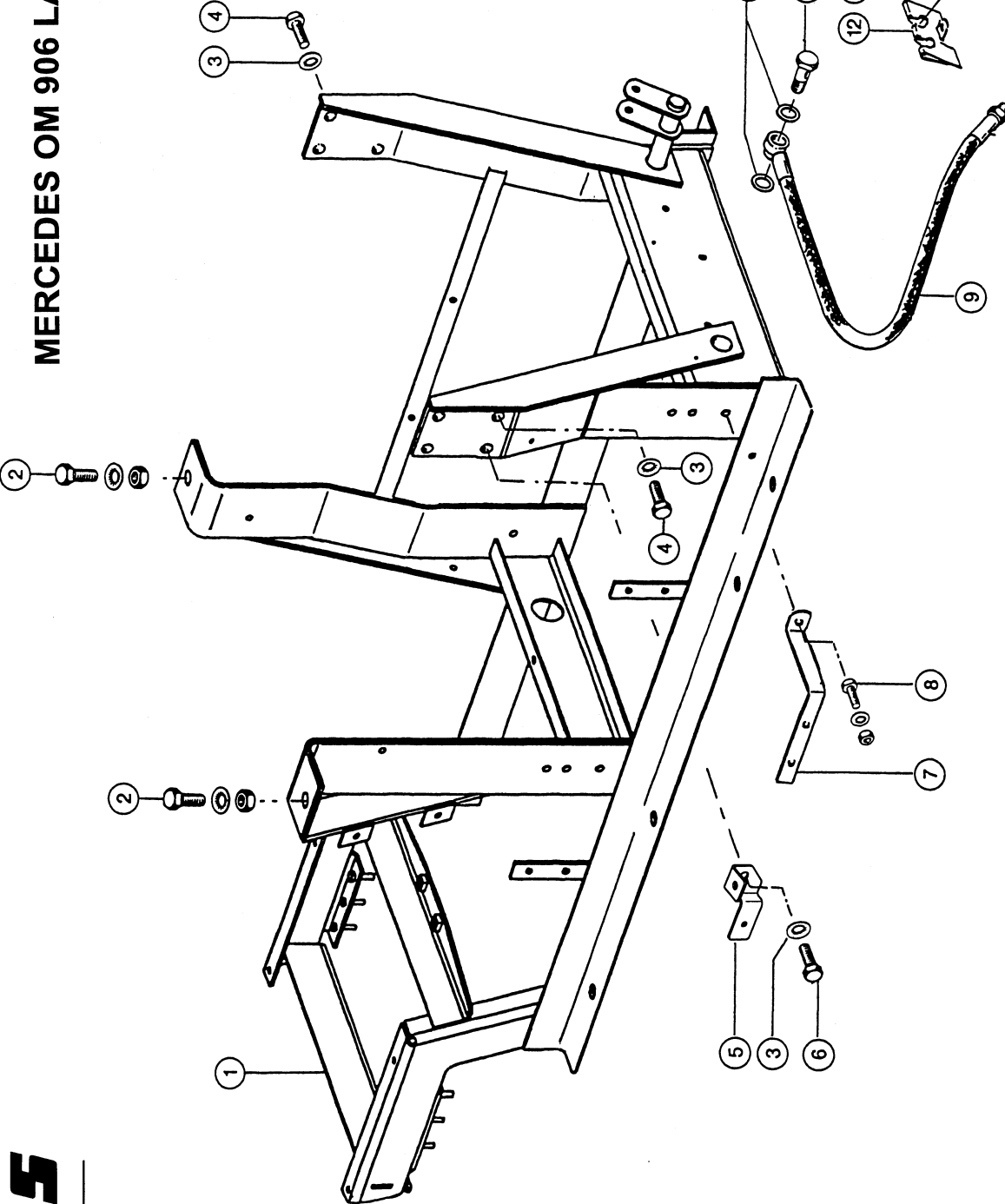
4) Equipment

MD_P02_0360 OM906T3 EWG150kW/ECE136kW

5) EquipmentMD_P02_0184 0184_OM906 EWG150/ECE136 N-EU
MD_P02_0188 Mercedes OM906LA 150KW(EWG)/136KW(ECE)**6) Equipment****Remarks**MD_P02_0188 Mercedes OM906LA 150KW(EWG)/136KW(ECE)
Exchange / Reman**7) Equipment****Remarks**MD_P02_0337 Mercedes OM906LA 170KW(EWG)/ 162KW(ECE)
Exchange / Reman**8) Equipment****Remarks**MD_P02_0363 OM906T3 EWG170kW/ECE162kW
Exchange / Reman**9) Equipment****Remarks**MD_P02_0360 OM906T3 EWG150kW/ECE136kW
Exchange / Reman**10) Equipment****Remarks**MD_P02_0184 0184_OM906 EWG150/ECE136 N-EU
MD_P02_0188 Mercedes OM906LA 150KW(EWG)/136KW(ECE)
Exchange / Reman

387

MERCEDES OM 906 LA



09364z01

MEDION 330-310

124535/01

MERCEDES OM 906 LA; ENGINE MOUNTING

Pos.	Part No.	Description	Dimension	Quantity	Conditions
1	00 0545 816 5	ENGINE MOUNTING		1	
2	00 0237 591 0	HEX.HEAD BOLT	M20X60	2	
2	00 0237 521 0	HEX.NUT	M20	2	
2	00 0212 191 0	CONTACT WASHER	A20	2	
3	00 0239 391 0	CONTACT WASHER	A16	8	
4	00 0237 376 0	HEXAGON HEAD BOLT	M16X30	7	
5	00 0743 643 0	BRACKET	4X145X115	1	
6	00 0236 230 0	HEXAGON HEAD BOLT	M16X35	1	
7	00 0544 833 0	SUPPORT ANGLE	30X5X310,2	1	1)
7	00 0544 834 0	SUPPORT ANGLE	40X4X142,1	1	2)
8	00 0237 442 0	HEXAGON HEAD BOLT	M8X25	1	
8	00 0236 170 0	HEXAGONAL NUT	M8	1	
8	00 0239 387 0	CONTACT WASHER	A8-8,2X18X1,4	1	
9	00 0738 445 0	OIL DRAIN HOSE		1	
9	00 0545 946 1	ANGLE SUPPORT	5X244X270,2	1	
9	00 0702 556 0	EXTENSION	20X3X54	1	
10	00 0238 268 0	SEALING RING	W.ERS.D.2382681	2	
11	00 0215 393 0	HOLLOW SCREW	22 - 3 - M26X1,5	1	
12	00 0668 879 0	SUPPORT	3,0X0110X0126	1	
13	00 0236 327 0	HEXAGONAL NUT	M22X1,5	1	
14	00 0077 528 2	DRAIN FITTING	D18,1X51,5	1	
15	00 0077 529 0	STRAP	1,0X0026X0041	1	
16	00 0002 846 0	RING	SPIRALFÖRMIG OFFEN2 16 X		
17	00 0002 848 0	KNOT CHAIN	1,8X 25X 6GL	1	
18	00 0215 080 0	SNAP RING	A 14	1	
19	00 0633 589 1	UNION NUT	A3 L15	1	

1) Remarks from No. 93201477

2) Remarks to No. 93201476

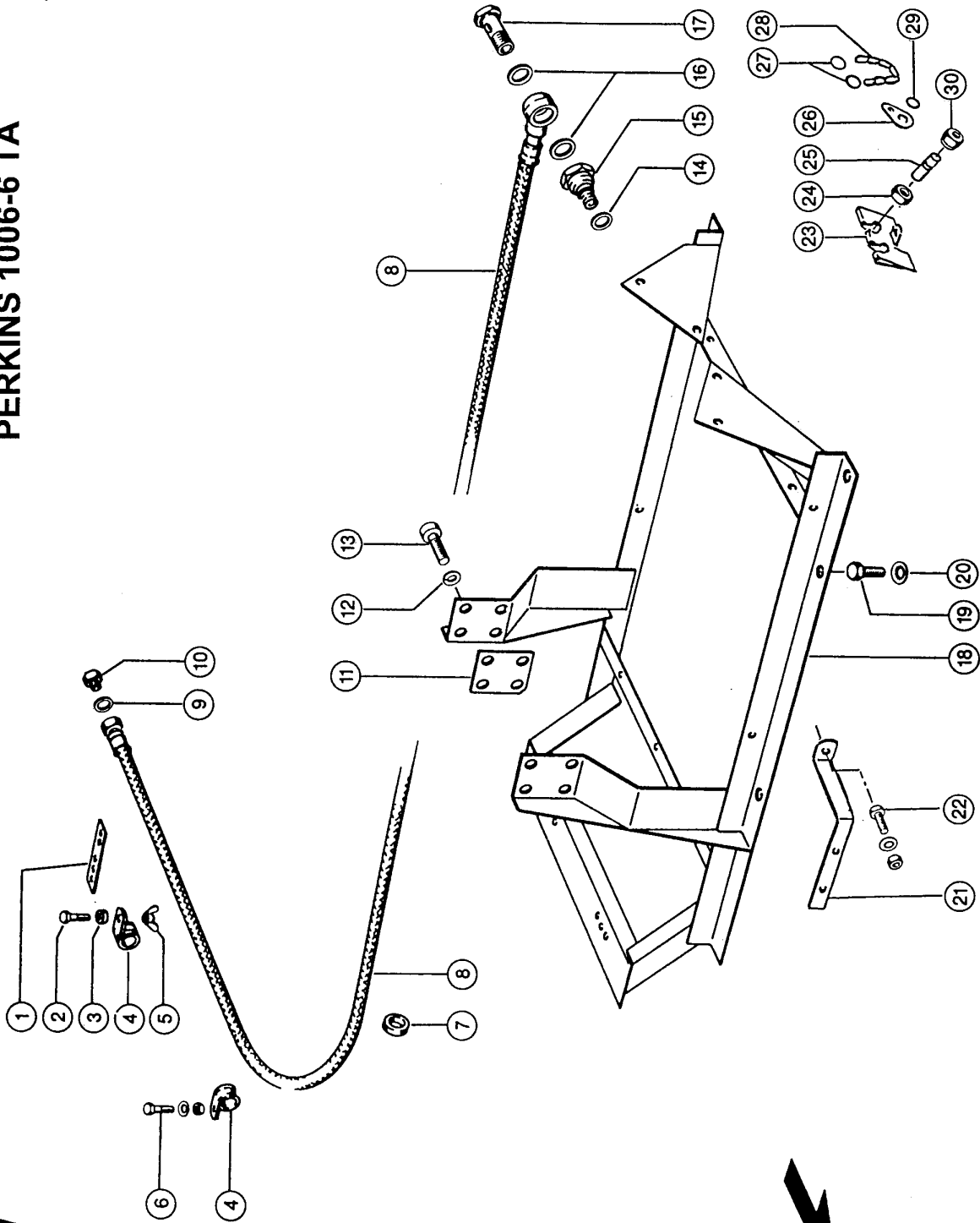
412

PERKINS 1006-6 TA

CLAAS

BGZ 13030

09005z00
MEDION 330-310



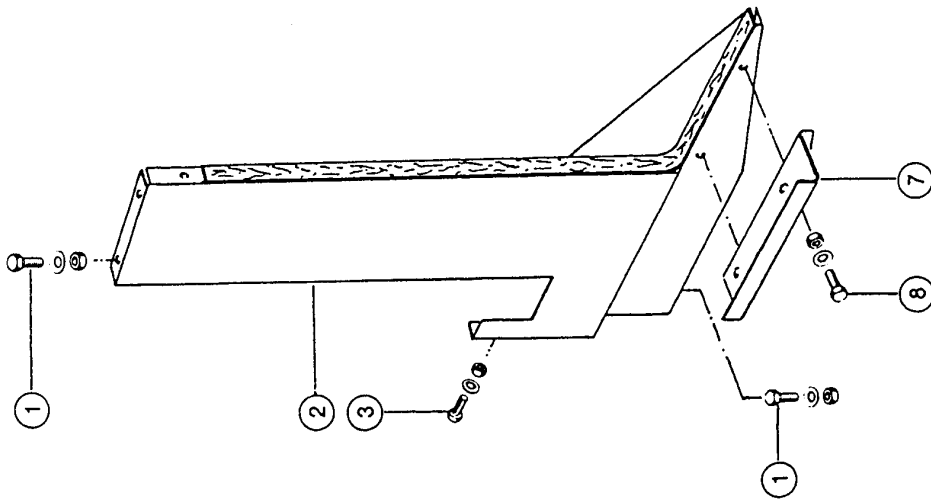
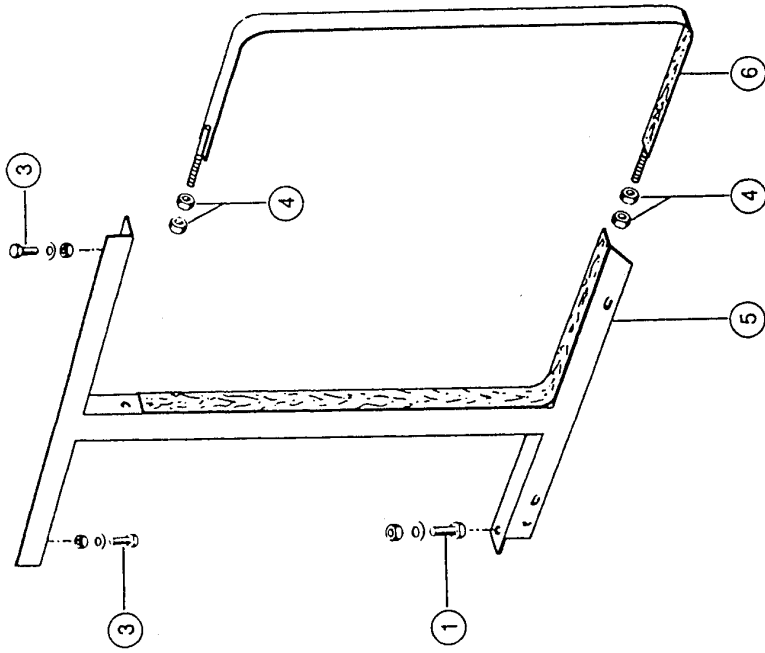
124563

PERKINS 1006-6 TA; ENGINE MOUNTING

Pos.	Part No.	Description	Dimension	Quantity	Conditions
1	00 0656 244 2	STRAP	25X3X110	1	
2	00 0236 213 0	HEXAGON HEAD BOLT	M8X35	1	
3	00 0653 083 0	SPACER BUSH	D18X10	1	
4	00 0215 394 0	HOLDER CLAMP	D1-24X20	2	
5	00 0235 138 0	WING NUT	M 8	1	
6	00 0236 213 0	HEXAGON HEAD BOLT	M8X35	1	
6	00 0236 170 0	HEXAGONAL NUT	M8	1	
6	00 0239 387 0	CONTACT WASHER	A8-8,2X18X1,4	1	
7	00 0238 456 0	CABLE RING	A 30X38X1,6	1	
8	00 0544 493 0	HOSE		1	
8	00 0545 857 0	ANGLE SUPPORT		1	
9	00 0633 032 0	SEALING RING	W.ERS.D.6330321	1	
10	00 0766 568 1	SCREW PLUG	A-M22X1,5	1	
11	00 0657 013 0	INTERMED.SHIM	80X6X94,7	2	
12	00 0235 135 1	SPRING WASHER	16- 16,2X27,4X2,8	8	
13	00 0242 297 0	SOCKET HEAD SCREW	M16X 40	8	
14	00 0633 536 0	SEALING RING	A 20X26	1	
15	00 0760 710 0	SCREW UNION	6KT 36X42,5	1	
16	00 0238 268 0	SEALING RING	W.ERS.D.2382681	2	
17	00 0215 393 0	HOLLOW SCREW	22 - 3 - M26X1,5	1	
18	00 0545 775 1	ENGINE MOUNTING	GESCHW.	1	
19	00 0236 230 0	HEXAGON HEAD BOLT	M16X35	6	
20	00 0239 391 0	CONTACT WASHER	A16	6	
21	00 0544 833 0	SUPPORT ANGLE	30X5X310,2	1	
22	00 0237 442 0	HEXAGON HEAD BOLT	M8X25	1	
22	00 0236 170 0	HEXAGONAL NUT	M8	1	
22	00 0239 387 0	CONTACT WASHER	A8-8,2X18X1,4	1	
23	00 0668 879 0	SUPPORT	3,0X0110X0126	1	
24	00 0236 327 0	HEXAGONAL NUT	M22X1,5	1	
25	00 0077 528 2	DRAIN FITTING	D18,1X51,5	1	
26	00 0077 529 0	STRAP	1,0X0026X0041	1	
27	00 0002 846 0	RING	SPIRALFÖRMIG OFFEN2 16 X		
28	00 0002 848 0	KNOT CHAIN	1,8X 25X 6GL	1	
29	00 0215 080 0	SNAP RING	A 14	1	
30	00 0633 589 1	UNION NUT	A3 L15	1	

251

09457z00
MEDION 330-310



CLAAS

BGZ 11020

123258

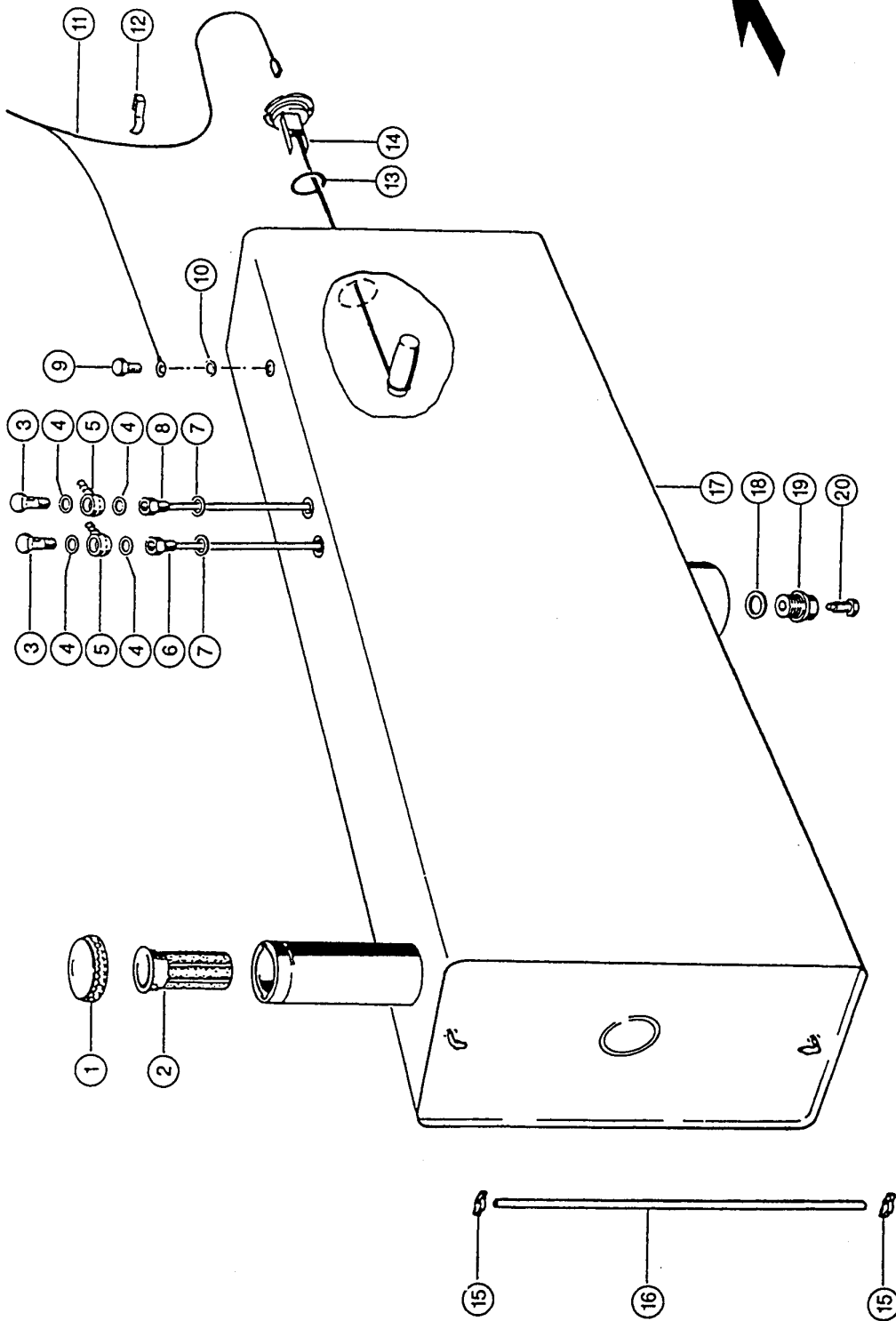
BRACKET FOR FUEL TANK

Pos.	Part No.	Description	Dimension	Quantity	Conditions
1	00 0237 383 0	HEXAGON HEAD BOLT	M10X25	7	
1	00 0236 171 0	HEXAGONAL NUT	M10	7	
1	00 0239 388 0	CONTACT WASHER	A10-10,2X22,25X1,6	7	
2	00 0639 801 0	SUPPORT-GLUED		1	
3	00 0610 098 1	COACH BOLT	M8X20	2	
3	00 0236 170 0	HEXAGONAL NUT	M8	2	
3	00 0239 387 0	CONTACT WASHER	A8-8,2X18X1,4	2	
4	00 0237 947 0	HEX. NUT WITH CLAMP. PART	M10	8	
5	00 0693 175 0	SUPPORT-GLUED		1	
6	00 0693 171 0	BANDAGE		2	
7	00 0662 127 0	TANK SUPPORT	4X90X180	1	
8	00 0237 442 0	HEXAGON HEAD BOLT	M8X25	2	
8	00 0236 170 0	HEXAGONAL NUT	M8	2	
8	00 0239 387 0	CONTACT WASHER	A8-8,2X18X1,4	2	

382

CLAAS

BGZ 13020



09360z00
MEDION 330-310

124527

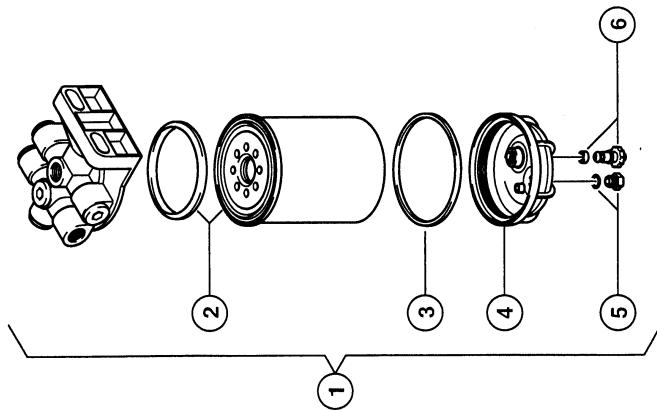
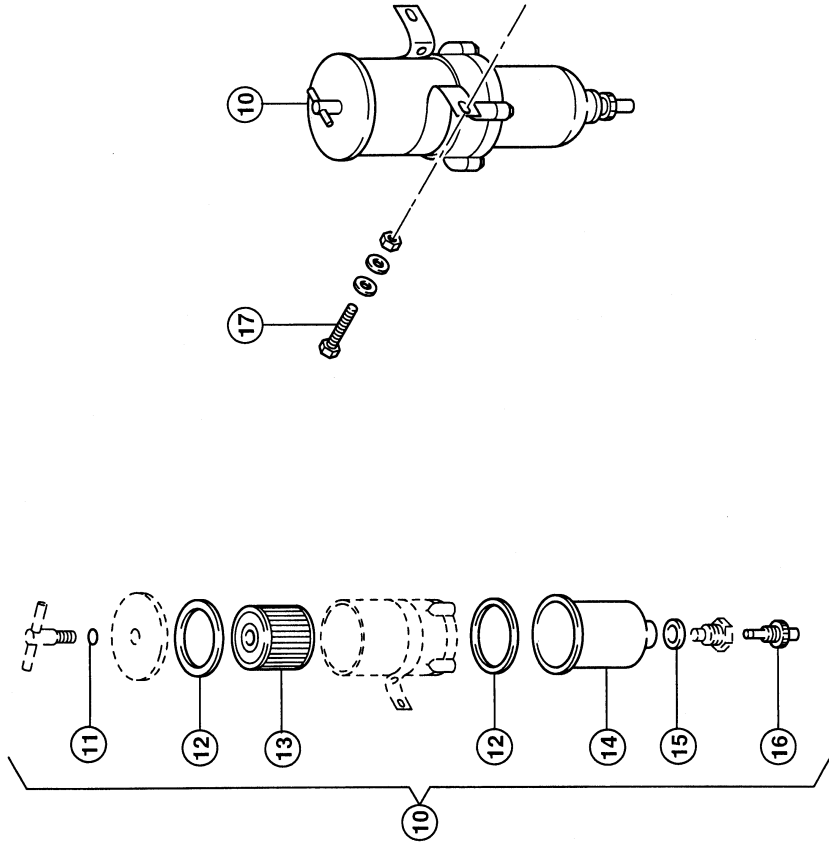
FUEL TANK

Pos.	Part No.	Description	Dimension	Quantity	Conditions
1	00 0624 003 1	CAP	DV 80 GL	1	
1	00 0177 621 0	CAP	D80 BELUEFTET, ABSCHLIES	1	1)
1	00 0177 622 0	SPARE KEY	C5	1	2)
2	00 0659 565 2	TANK SIEVE INCLUDED WITH TANK		1	
3	00 0096 030 0	HOLLOW SCREW	12 - M16X1,5 (12-3 ZULÄS	2	
4	00 0235 786 0	SEALING RING	A16 X22	4	
5	00 0215 562 0	CONNECTION	R16-10	2	
6	00 0545 951 0	TUBE	GELOETET	1	
7	00 0216 465 0	SEALING RING	D 16X22	2	
8	00 0545 951 0	TUBE	GELOETET	1	
9	00 0237 046 0	SCREW PLUG	M10X1	1	
10	00 0236 688 0	SEALING RING	A10X16X1	1	
11	00 0011 452 0	MAIN WIRING LOOM	MEDION	1	3)
11	00 0012 916 1	MAIN WIRING LOOM	MONDIAL	1	4)
12	00 0755 629 0	CHASSIS-CLIP		1	
13	00 0672 996 0	GASKET		1	
14	00 0681 855 0	LEVEL INDICATOR		2	
15	00 0094 059 0	2-EAR CLAMP	9-11	2	
16	00 0200 673 0	PVC-HOSE	A 5X 9	1	
17	00 0609 617 3	FUEL TANK	400 LTR	1	
18	00 0238 407 2	SEALING RING	C33 X39	1	
19	00 0687 607 0	DRAIN SCREW	M33X2	1	
20	00 0687 625 1	HEXAGON HEAD BOLT	M8X17 F. TANK WASSERABLA	1	

1)	Remarks	optional
2)	Remarks	SONDERWUNSCH
3)	Remarks	from No. 93202272
4)	Remarks	to No. 93202271

383

09361z01
MEDION 330-310



CLAAS

BGZ 13020

124529/01

FUEL FILTER ASSEMBLIES 1)

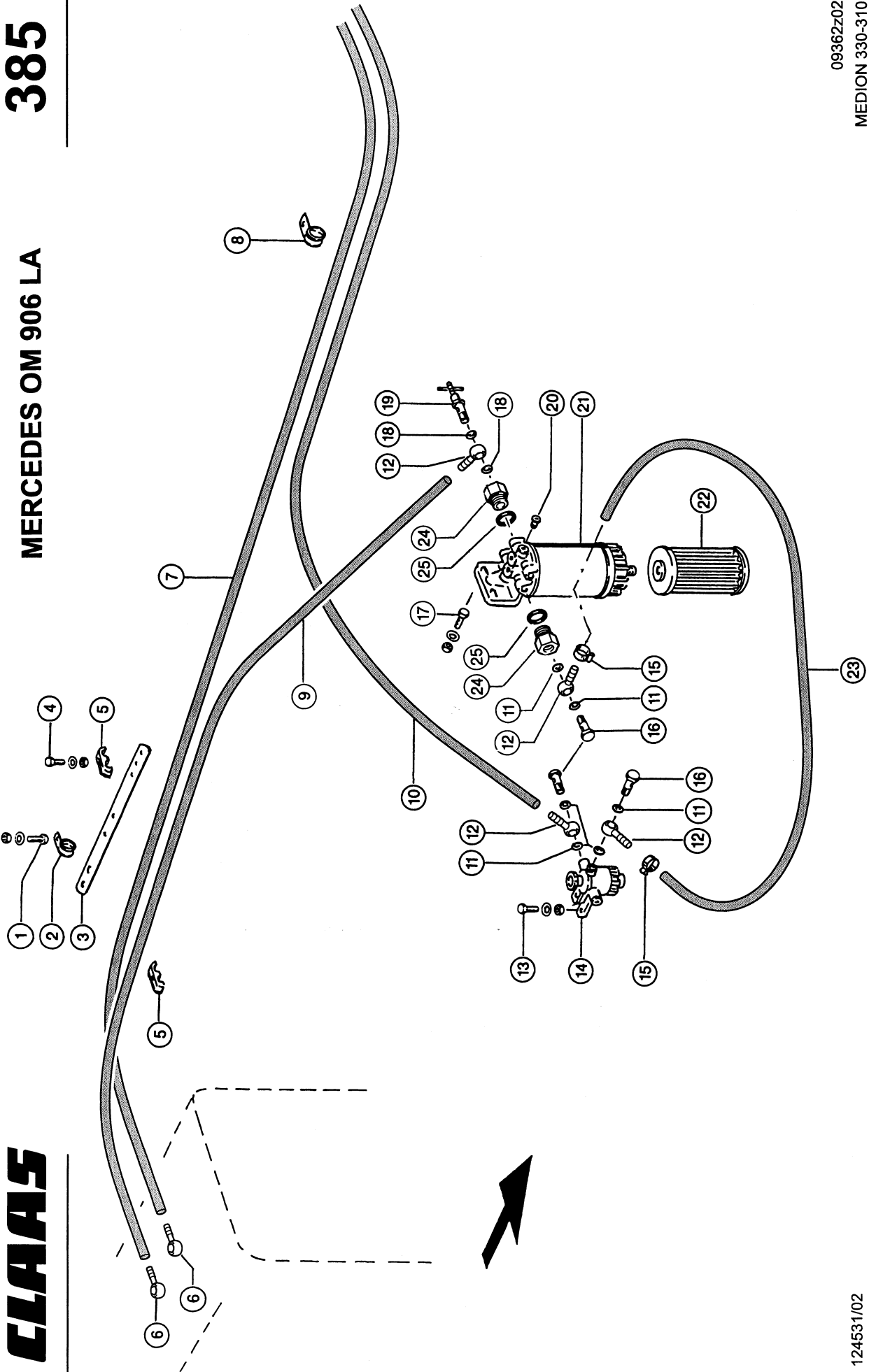
Pos.	Part No.	Description	Dimension	Quantity	Conditions
1	00 0068 666 0	FUEL FILTER		1	2)
2	00 0068 711 0	FILTER ELEMENT		1	3)
3	00 0796 789 0	SEALING RING		1	
4	00 0796 788 0	WATER CONTAINER		1	4)
5	00 0796 791 0	SCREW PLUG		1	3)
6	00 0796 790 0	PLUG		1	3)
10	00 0068 664 1	SEPARATOR		1	5)
11	00 0211 091 2	O-RING	12 X 2 NBR 80	1	
12	00 0072 995 0	HOUSING GASKET		2	
13	00 0068 712 1	FUEL FILTER		1	6)
14	00 0072 996 1	WATER CONTAINER		1	
15	00 0723 694 1	GASKET	RACOR 500/900 FG	1	
16	00 0723 693 0	DRAIN SCREW		1	
17	00 0237 442 0	HEXAGON HEAD BOLT	M8X25	2	
17	00 0236 170 0	HEXAGONAL NUT	M8	2	
17	00 0239 393 1	CONTACT WASHER	B 8 -8.2X22X1,9	4	

1) Remarks	Position 1 - 6 = P 06/10 Position 10 - 17 = P 06/30
2) Remarks	Racor 690 R 30 see illustration plate 385
3) Remarks	with sealing ring
4) Remarks	with Item 3, 5, 6
5) Remarks	Racor 902 Fh 30
6) Remarks	only Racor 902 Fh 30

385

MERCEDES OM 906 LA

CLAAS



09362z02
MEDION 330-310

124531/02

MERCEDES OM 906 LA; FUEL SYSTEM

Pos.	Part No.	Description	Dimension	Quantity	Conditions
1	00 0236 200 0	HEXAGON HEAD BOLT	M8X20	1	
1	00 0236 170 0	HEXAGONAL NUT	M8	1	
1	00 0239 387 0	CONTACT WASHER	A8-8,2X18X1,4	1	
2	00 0216 341 0	HOLDER CLAMP	D1-12X20	1	
3	00 0669 234 0	SUPPORT	40X6X377	1	
4	00 0235 505 0	HEXAGON HEAD BOLT	M06X30	4	
4	00 0236 169 0	HEXAGONAL NUT	M6	4	
4	00 0239 387 0	CONTACT WASHER	A8-8,2X18X1,4	4	
5	00 0723 501 0	DOUBLE CLAMP	B 12	1	
6	00 0215 562 0	CONNECTION	R16-10	2	
7	00 0796 869 1	FUEL PIPE	MOTOR->TANK	1	1)
7	00 0545 901 0	FUEL PIPE	12,5X1,25X4500	1	2)
8	00 0215 394 0	HOLDER CLAMP	D1-24X20	1	
9	00 0545 908 0	FUEL PIPE	12.5X1.25X2270	1	
10	00 0796 870 1	FUEL PIPE	HANDPUMPE->MOT OR	1	3)
10	00 0545 902 0	FUEL PIPE	12,5X1,25X3140	1	4)
11	00 0235 786 0	SEALING RING	A16 X22	6	
12	00 0215 562 0	CONNECTION	R16-10	4	
13	00 0237 442 0	HEXAGON HEAD BOLT	M8X25	2	
13	00 0236 170 0	HEXAGONAL NUT	M8	2	
13	00 0239 387 0	CONTACT WASHER	A8-8,2X18X1,4	2	
14	00 0068 665 0	HAND PUMP	H11K06 M16X1,5	1	
14	00 0077 446 0	SEALING RING	F. H11 K02	1	
14	00 0077 447 0	INSPECTION GLASS		1	
14	00 0077 445 0	FILTER ELEMENT		1	
15	00 0408 552 2	HOSE CLAMP	A-12-22X9	2	
16	00 0096 030 0	HOLLOW SCREW	12 - M16X1,5 (12-3 ZULÄS	3	
17	00 0237 442 0	HEXAGON HEAD BOLT	M8X25	2	
17	00 0236 170 0	HEXAGONAL NUT	M8	2	
17	00 0239 393 1	CONTACT WASHER	B 8 -8.2X22X1,9	2	
18	00 0236 688 0	SEALING RING	A10X16X1	2	
19	00 0761 583 1	LIMITATION VALVE	M16X1,5	1	
20	00 0090 121 0	SCREW PLUG	M16X1,5	5	
20	00 0200 699 0	SEAL BAND	FRP - 12,5X0,08X120001		
21	00 0068 664 1	SEPARATOR		1	5)
21	00 0068 666 0	FUEL FILTER		1	6)
22	00 0068 712 1	FUEL FILTER		1	7)
22	00 0068 711 0	FILTER ELEMENT		1	6)
23	00 0545 909 0	FUEL PIPE	500 LANG	1	
24	00 0545 906 0	SCREW UNION	M22X1.5/M16X1.5	2	
25	00 0238 451 0	O-RING	19,3 X2,4 -N	2	

1) Remarks

from No. 93202272
to main filter
4020 long

2) Remarks

to No. 93202271

3) Remarks

from No. 93202272
to pre-filter
3400 long

4) Remarks

to No. 93202271
with Item 12
3140 long

MERCEDES OM 906 LA; FUEL SYSTEM

5) Remarks	see illustration plate 383 P 06 / 30
6) Remarks	P 06 / 10
7) Remarks	P 06 / 30

Thank you so much for reading.
Please click the “Buy Now!”
button below to download the
complete manual.



After you pay.

You can download the most
perfect and complete manual in
the world immediately.

Our support email:

ebooklibonline@outlook.com