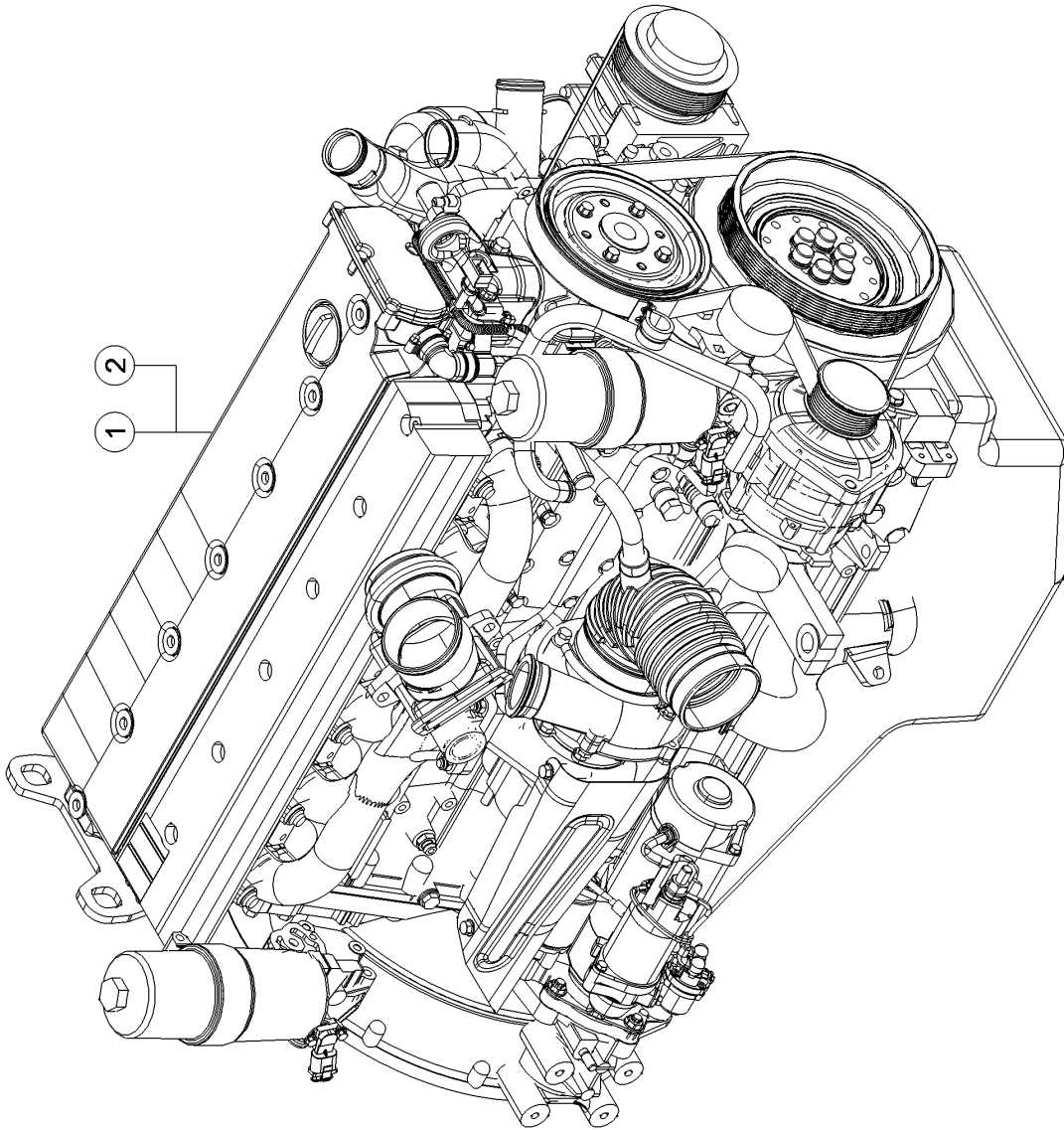


**990**

24190z00  
MEGA 360



**CLAAS**

149065

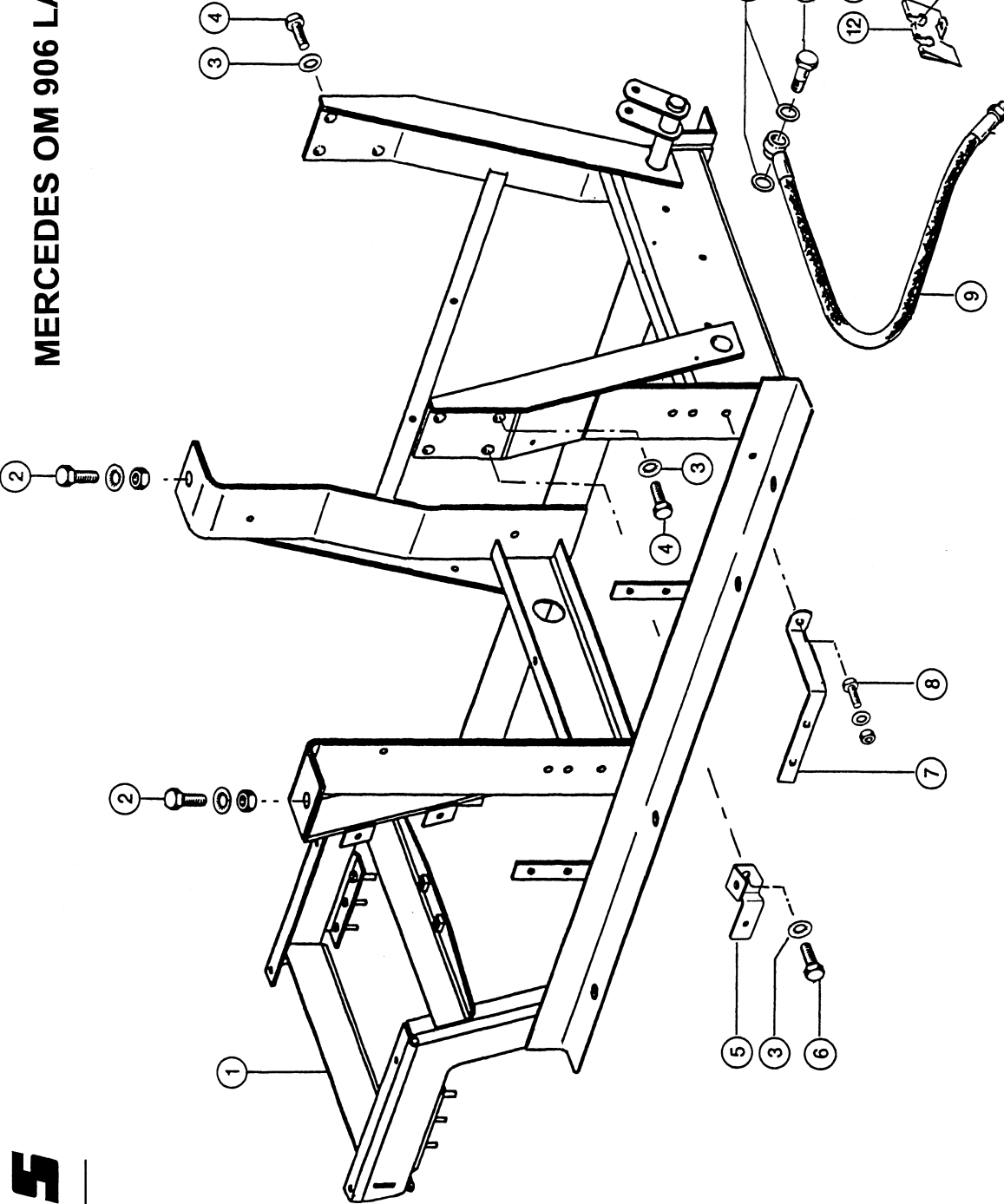
**010 COMPLETE ENGINE**

Pos.	Part No.	Description	Dimension	Quantity	Conditions
1	<b>00 0796 886 0</b>	ENGINE	OM 906 LA 190KW	1	1)
1	<b>00 0798 492 1</b>	ENGINE	OM906LA-190KW-TI ER3	1	2)
1	<b>00 0545 960 0</b>	ENGINE	OM 906 LA 190KW	1	1)
1	<b>00 0796 907 0</b>	ENGINE	OM 906 LA 190KW	1	1)
2	<b>00 1993 172 0</b>	ENGINE	REMAN OM 906 LA 190KW	1	3)
2	<b>00 1992 159 0</b>	ENGINE	REMAN OM 906 LA 190KW	1	4)
2	<b>00 1993 172 0</b>	ENGINE	REMAN OM 906 LA 190KW	1	3)

<b>1) Equipment</b>	MD_P02_0187	Mercedes OM906LA 190KW(EWG)/180KW(ECE)
<b>2) Equipment</b>	MD_P02_0366	OM906T3 EWG190kW/ECE180kW
<b>3) Equipment</b>	MD_P02_0187	Mercedes OM906LA 190KW(EWG)/180KW(ECE)
<b>Remarks</b>		Exchange / Reman
<b>4) Equipment</b>	MD_P02_0366	OM906T3 EWG190kW/ECE180kW
<b>Remarks</b>		Exchange / Reman

387

MERCEDES OM 906 LA



09364z01  
MEDION 340

124534/01

**MERCEDES OM 906 LA; ENGINE MOUNTING**

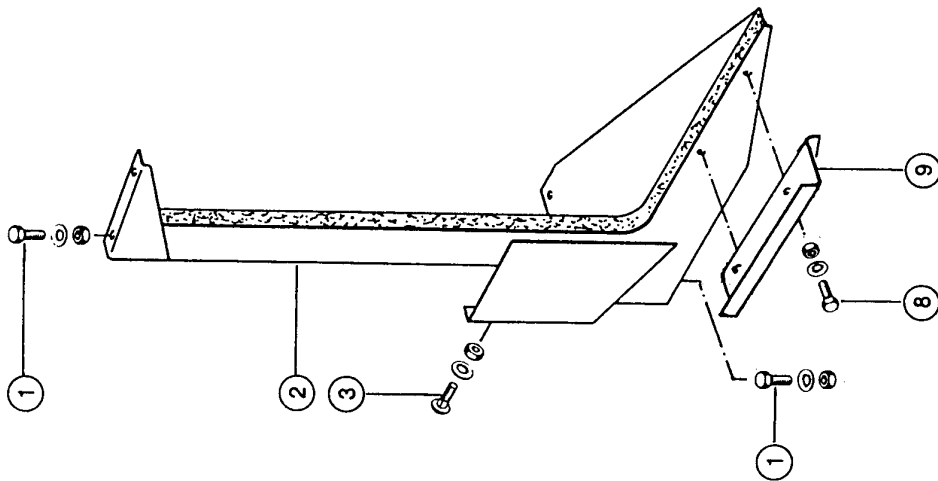
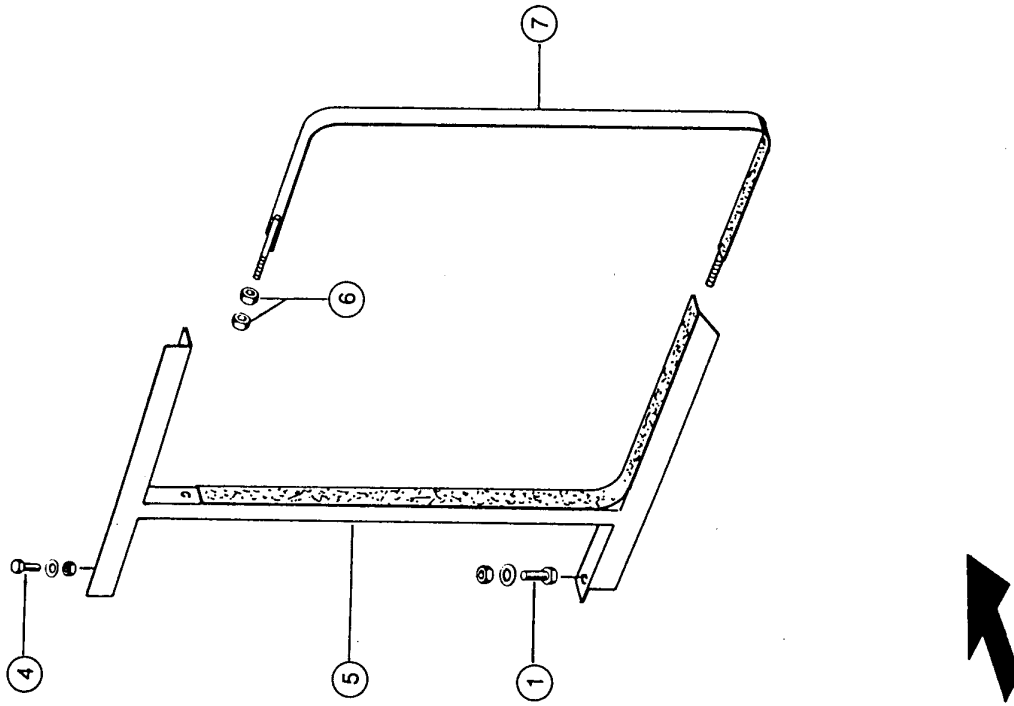
Pos.	Part No.	Description	Dimension	Quantity	Conditions
1	<b>00 0545 756 5</b>	ENGINE MOUNTING		1	
2	<b>00 0237 591 0</b>	HEX.HEAD BOLT	M20X60	2	
2	<b>00 0237 521 0</b>	HEX.NUT	M20	2	
2	<b>00 0212 191 0</b>	CONTACT WASHER	A20	2	
3	<b>00 0239 391 0</b>	CONTACT WASHER	A16	8	
4	<b>00 0235 821 0</b>	HEXAGON HEAD BOLT	M16X40	7	
5	<b>00 0743 643 0</b>	BRACKET	4X145X115	1	1)
5	<b>00 0544 834 0</b>	SUPPORT ANGLE	40X4X142,1	1	2)
6	<b>00 0235 585 0</b>	HEXAGON HEAD BOLT	M16X45	1	
7	<b>00 0544 833 0</b>	SUPPORT ANGLE	30X5X310,2	1	
8	<b>00 0237 442 0</b>	HEXAGON HEAD BOLT	M8X25	1	
8	<b>00 0236 170 0</b>	HEXAGONAL NUT	M8	1	
8	<b>00 0239 387 0</b>	CONTACT WASHER	A8-8,2X18X1,4	1	
9	<b>00 0738 445 0</b>	OIL DRAIN HOSE		1	
9	<b>00 0545 946 1</b>	ANGLE SUPPORT	5X244X270,2	1	
9	<b>00 0702 556 0</b>	EXTENSION	20X3X54	1	
10	<b>00 0238 268 0</b>	SEALING RING	W.ERS.D.2382681	2	
11	<b>00 0215 393 0</b>	HOLLOW SCREW	22 - 3 - M26X1,5	1	
12	<b>00 0668 879 0</b>	SUPPORT	3,0X0110X0126	1	
13	<b>00 0236 327 0</b>	HEXAGONAL NUT	M22X1,5	1	
14	<b>00 0077 528 2</b>	DRAIN FITTING	D18,1X51,5	1	
15	<b>00 0077 529 0</b>	STRAP	1,0X0026X0041	1	
16	<b>00 0002 846 0</b>	RING	SPIRALFÖRMIG OFFEN2 16 X		
17	<b>00 0002 848 0</b>	KNOT CHAIN	1,8X 25X 6GL	1	
18	<b>00 0215 080 0</b>	SNAP RING	A 14	1	
19	<b>00 0633 589 1</b>	UNION NUT	A3 L15	1	

**1) Remarks** from no. 93400369

**2) Remarks** to No. 93400368

251

09279z00  
MEDION 340



**CLAAS**

**BGZ 11020**

124376

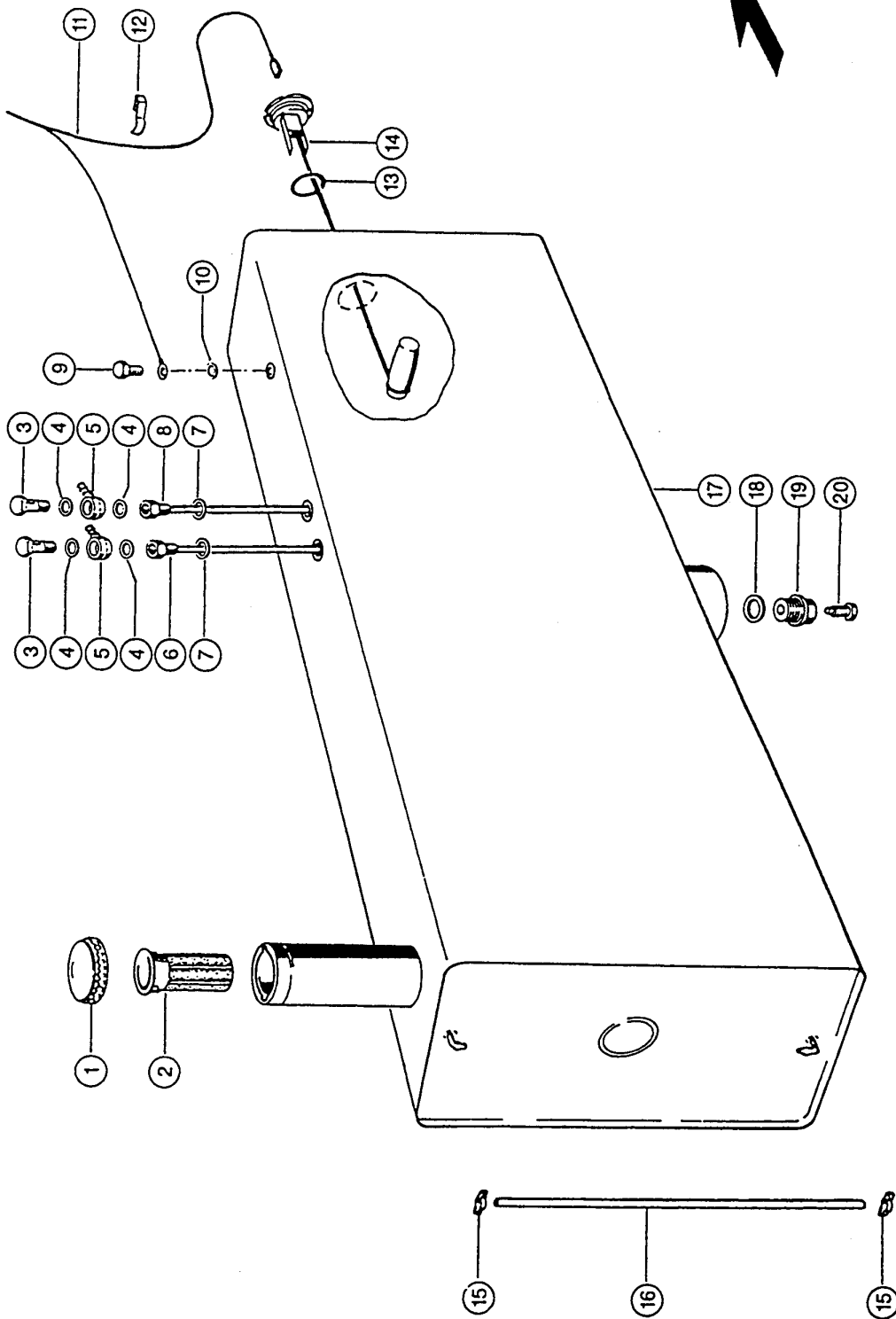
**BRACKET FOR FUEL TANK**

<b>Pos.</b>	<b>Part No.</b>	<b>Description</b>	<b>Dimension</b>	<b>Quantity</b>	<b>Conditions</b>
1	<b>00 0237 383 0</b>	HEXAGON HEAD BOLT	M10X25	7	
1	<b>00 0236 171 0</b>	HEXAGONAL NUT	M10	7	
1	<b>00 0239 388 0</b>	CONTACT WASHER	A10-10,2X22,25X1,6	7	
2	<b>00 0693 181 2</b>	SUPPORT-GLUED		1	
3	<b>00 0610 098 1</b>	COACH BOLT	M8X20	2	
3	<b>00 0236 170 0</b>	HEXAGONAL NUT	M8	2	
3	<b>00 0239 387 0</b>	CONTACT WASHER	A8-8,2X18X1,4	2	
4	<b>00 0237 442 0</b>	HEXAGON HEAD BOLT	M8X25	6	
4	<b>00 0236 170 0</b>	HEXAGONAL NUT	M8	6	
4	<b>00 0239 387 0</b>	CONTACT WASHER	A8-8,2X18X1,4	6	
5	<b>00 0693 178 2</b>	SUPPORT-GLUED		1	
6	<b>00 0237 947 0</b>	HEX. NUT WITH CLAMP. PART	M10	8	
7	<b>00 0693 171 0</b>	BANDAGE		2	
8	<b>00 0237 442 0</b>	HEXAGON HEAD BOLT	M8X25	2	
8	<b>00 0236 170 0</b>	HEXAGONAL NUT	M8	2	
8	<b>00 0239 387 0</b>	CONTACT WASHER	A8-8,2X18X1,4	2	
9	<b>00 0662 127 0</b>	TANK SUPPORT	4X90X180	1	

382

**CLAAS**

**BGZ 13020**



09360z00  
MEDION 340

124526

**FUEL TANK**

Pos.	Part No.	Description	Dimension	Quantity	Conditions
1	<b>00 0624 003 1</b>	CAP	DV 80 GL	1	
1	<b>00 0177 621 0</b>	CAP	D80 BELUEFTET, ABSCHLIES	1	1)
1	<b>00 0177 622 0</b>	SPARE KEY	C5	1	2)
2	<b>00 0659 565 2</b>	TANK SIEVE INCLUDED WITH TANK		1	
3	<b>00 0096 030 0</b>	HOLLOW SCREW	12 - M16X1,5 (12-3 ZULÄS	2	
4	<b>00 0235 786 0</b>	SEALING RING	A16 X22	4	
5	<b>00 0215 562 0</b>	CONNECTION	R16-10	2	
6	<b>00 0545 907 0</b>	TUBE	GELOETET	1	
7	<b>00 0633 032 1</b>	SEALING RING	D22X27X1,5	2	
8	<b>00 0545 907 0</b>	TUBE	GELOETET	1	
9	<b>00 0237 046 0</b>	SCREW PLUG	M10X1	1	
10	<b>00 0236 688 0</b>	SEALING RING	A10X16X1	1	
11	<b>00 0011 452 0</b>	MAIN WIRING LOOM	MEDION	1	3)
11	<b>00 0012 916 1</b>	MAIN WIRING LOOM	MONDIAL	1	4)
12	<b>00 0755 629 0</b>	CHASSIS-CLIP		1	
13	<b>00 0672 996 0</b>	GASKET		1	
14	<b>00 0681 855 0</b>	LEVEL INDICATOR		1	
15	<b>00 0094 059 0</b>	2-EAR CLAMP	9-11	2	
16	<b>00 0200 673 0</b>	PVC-HOSE	A 5X 9	1	5)
17	<b>00 0646 889 4</b>	FUEL TANK	500 LTR	1	
18	<b>00 0238 407 2</b>	SEALING RING	C33 X39	1	
19	<b>00 0687 607 0</b>	DRAIN SCREW	M33X2	1	
20	<b>00 0687 625 1</b>	HEXAGON HEAD BOLT	M8X17 F. TANK WASSERABLA	1	

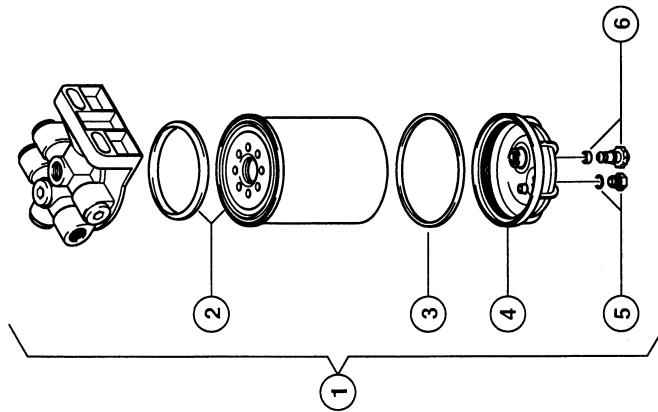
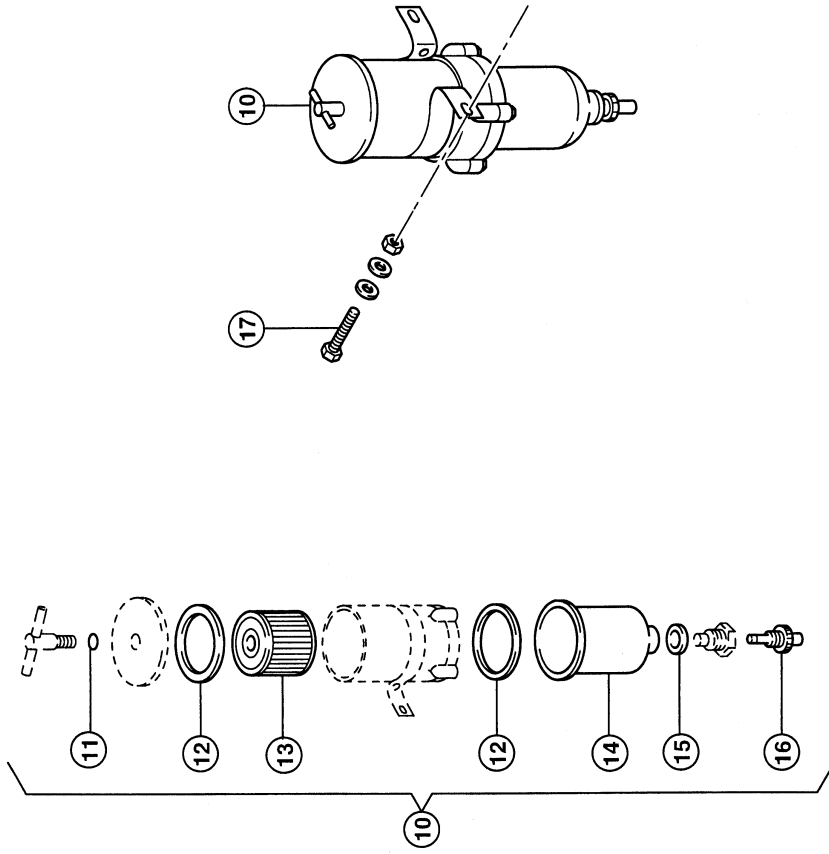
<b>1) Remarks</b>	optional
<b>2) Remarks</b>	SONDERWUNSCH
<b>3) Remarks</b>	from No. 93400580
<b>4) Remarks</b>	to No. 93400579
<b>5) Remarks</b>	590 long



383

**CLAAS**

**BGZ 13020**



09361Z01  
MEDION 340

124528/01

**FUEL FILTER ASSEMBLIES 1)**

Pos.	Part No.	Description	Dimension	Quantity	Conditions
1	<b>00 0068 666 0</b>	FUEL FILTER		1	2)
2	<b>00 0068 711 0</b>	FILTER ELEMENT		1	3)
3	<b>00 0796 789 0</b>	SEALING RING		1	
4	<b>00 0796 788 0</b>	WATER CONTAINER		1	4)
5	<b>00 0796 791 0</b>	SCREW PLUG		1	3)
6	<b>00 0796 790 0</b>	PLUG		1	3)
10	<b>00 0068 664 1</b>	SEPARATOR		1	5)
11	<b>00 0211 091 2</b>	O-RING	12 X 2 NBR 80	1	
12	<b>00 0072 995 0</b>	HOUSING GASKET		2	
13	<b>00 0068 712 1</b>	FUEL FILTER		1	6)
14	<b>00 0072 996 1</b>	WATER CONTAINER		1	
15	<b>00 0723 694 1</b>	GASKET	RACOR 500/900 FG	1	
16	<b>00 0723 693 0</b>	DRAIN SCREW		1	
17	<b>00 0237 442 0</b>	HEXAGON HEAD BOLT	M8X25	2	
17	<b>00 0236 170 0</b>	HEXAGONAL NUT	M8	2	
17	<b>00 0239 393 1</b>	CONTACT WASHER	B 8 -8.2X22X1,9	4	

**1) Remarks**

Position 1 - 6 = P 06/10  
Position 10 - 17 = P 06/30

**2) Remarks**

Racor 690 R 30  
see illustration plate 385

**3) Remarks**

with sealing ring

**4) Remarks**

with Item 3, 5, 6

**5) Remarks**

Racor 902 Fh 30

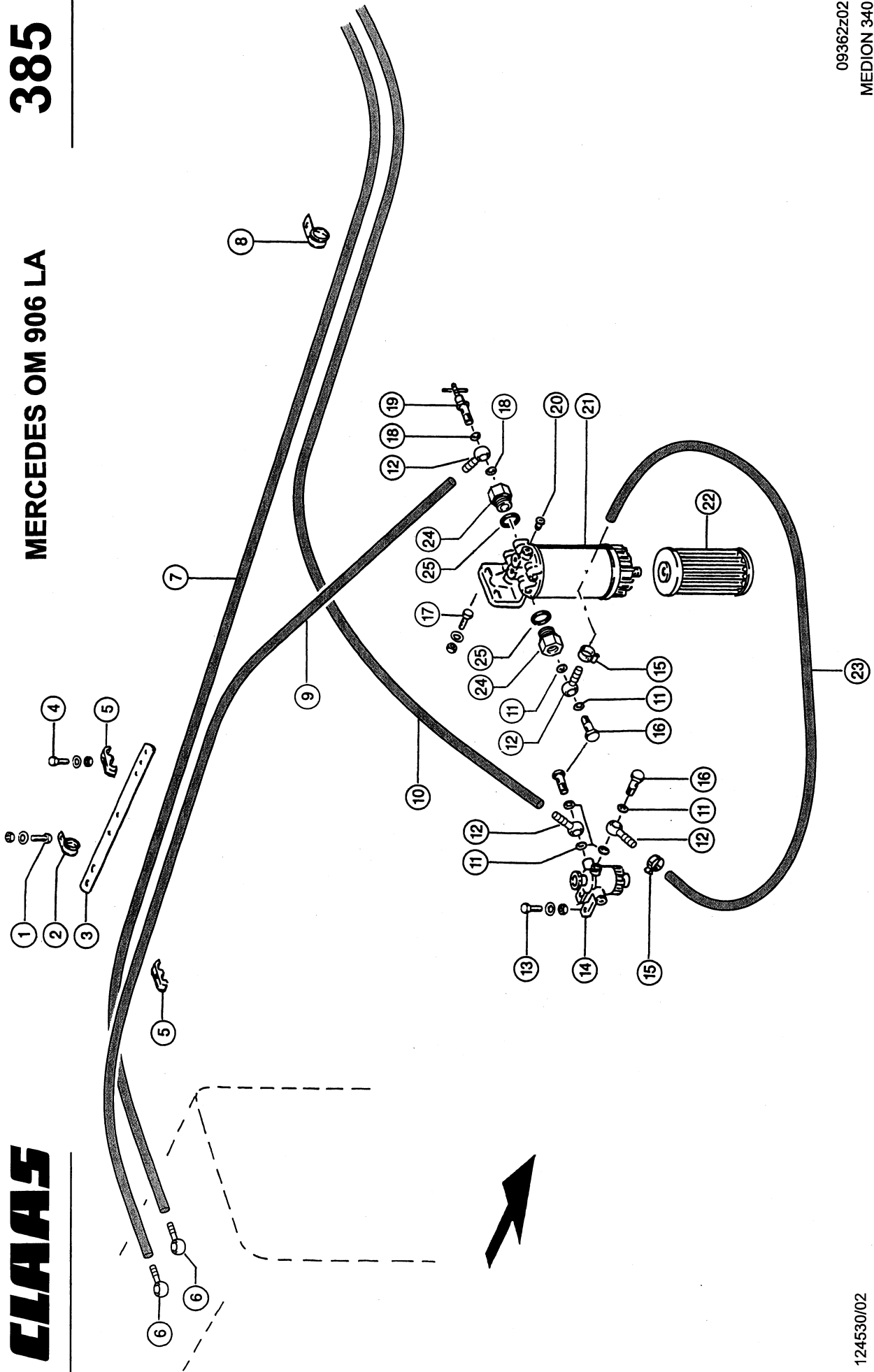
**6) Remarks**

only Racor 902 Fh 30

**385**

**MERCEDES OM 906 LA**

**CLAAS**



09362Z02  
MEDION 340

124530/02

**MERCEDES OM 906 LA; FUEL SYSTEM**

Pos.	Part No.	Description	Dimension	Quantity	Conditions
1	<b>00 0236 200 0</b>	HEXAGON HEAD BOLT	M8X20	1	
1	<b>00 0236 170 0</b>	HEXAGONAL NUT	M8	1	
1	<b>00 0239 387 0</b>	CONTACT WASHER	A8-8,2X18X1,4	1	
2	<b>00 0216 341 0</b>	HOLDER CLAMP	D1-12X20	1	
3	<b>00 0669 234 0</b>	SUPPORT	40X6X377	1	
4	<b>00 0235 505 0</b>	HEXAGON HEAD BOLT	M06X30	4	
4	<b>00 0236 169 0</b>	HEXAGONAL NUT	M6	4	
4	<b>00 0239 387 0</b>	CONTACT WASHER	A8-8,2X18X1,4	4	
5	<b>00 0723 501 0</b>	DOUBLE CLAMP	B 12	1	
6	<b>00 0215 562 0</b>	CONNECTION	R16-10	2	
7	<b>00 0796 869 1</b>	FUEL PIPE	MOTOR->TANK	1	1)
7	<b>00 0545 901 0</b>	FUEL PIPE	12,5X1,25X4500	1	2)
8	<b>00 0215 394 0</b>	HOLDER CLAMP	D1-24X20	1	
9	<b>00 0545 908 0</b>	FUEL PIPE	12.5X1.25X2270	1	
10	<b>00 0796 870 1</b>	FUEL PIPE	HANDPUMPE->MOT OR	1	3)
10	<b>00 0545 902 0</b>	FUEL PIPE	12,5X1,25X3140	1	4)
11	<b>00 0235 786 0</b>	SEALING RING	A16 X22	6	
12	<b>00 0215 562 0</b>	CONNECTION	R16-10	4	
13	<b>00 0237 442 0</b>	HEXAGON HEAD BOLT	M8X25	2	
13	<b>00 0236 170 0</b>	HEXAGONAL NUT	M8	2	
13	<b>00 0239 387 0</b>	CONTACT WASHER	A8-8,2X18X1,4	2	
14	<b>00 0068 665 0</b>	HAND PUMP	H11K06 M16X1,5	1	
14	<b>00 0077 446 0</b>	SEALING RING	F. H11 K02	1	
14	<b>00 0077 447 0</b>	INSPECTION GLASS		1	
14	<b>00 0077 445 0</b>	FILTER ELEMENT		1	
15	<b>00 0408 552 2</b>	HOSE CLAMP	A-12-22X9	2	
16	<b>00 0096 030 0</b>	HOLLOW SCREW	12 - M16X1,5 (12-3 ZULÄS	3	
17	<b>00 0237 442 0</b>	HEXAGON HEAD BOLT	M8X25	2	
17	<b>00 0236 170 0</b>	HEXAGONAL NUT	M8	2	
17	<b>00 0239 393 1</b>	CONTACT WASHER	B 8 -8.2X22X1,9	2	
18	<b>00 0236 688 0</b>	SEALING RING	A10X16X1	2	
19	<b>00 0761 583 1</b>	LIMITATION VALVE	M16X1,5	1	
20	<b>00 0090 121 0</b>	SCREW PLUG	M16X1,5	5	
20	<b>00 0200 699 0</b>	SEAL BAND	FRP - 12,5X0,08X120001		
21	<b>00 0068 664 1</b>	SEPARATOR		1	5)
21	<b>00 0068 666 0</b>	FUEL FILTER		1	6)
22	<b>00 0068 712 1</b>	FUEL FILTER		1	7)
22	<b>00 0068 711 0</b>	FILTER ELEMENT		1	6)
23	<b>00 0545 909 0</b>	FUEL PIPE	500 LANG	1	
24	<b>00 0545 906 0</b>	SCREW UNION	M22X1.5/M16X1.5	2	
25	<b>00 0238 451 0</b>	O-RING	19,3 X2,4 -N	2	

**1) Remarks**

from No. 93400580  
to main filter  
4020 long

**2) Remarks**

to No. 93400579

**3) Remarks**

from No. 93400580  
to pre-filter  
3400 long

**4) Remarks**

to No. 93400579  
with Item 12  
3140 long

**MERCEDES OM 906 LA; FUEL SYSTEM**

---

<b>5) Remarks</b>	see illustration plate 383 P 06 / 30
<b>6) Remarks</b>	P 06 / 10
<b>7) Remarks</b>	P 06 / 30

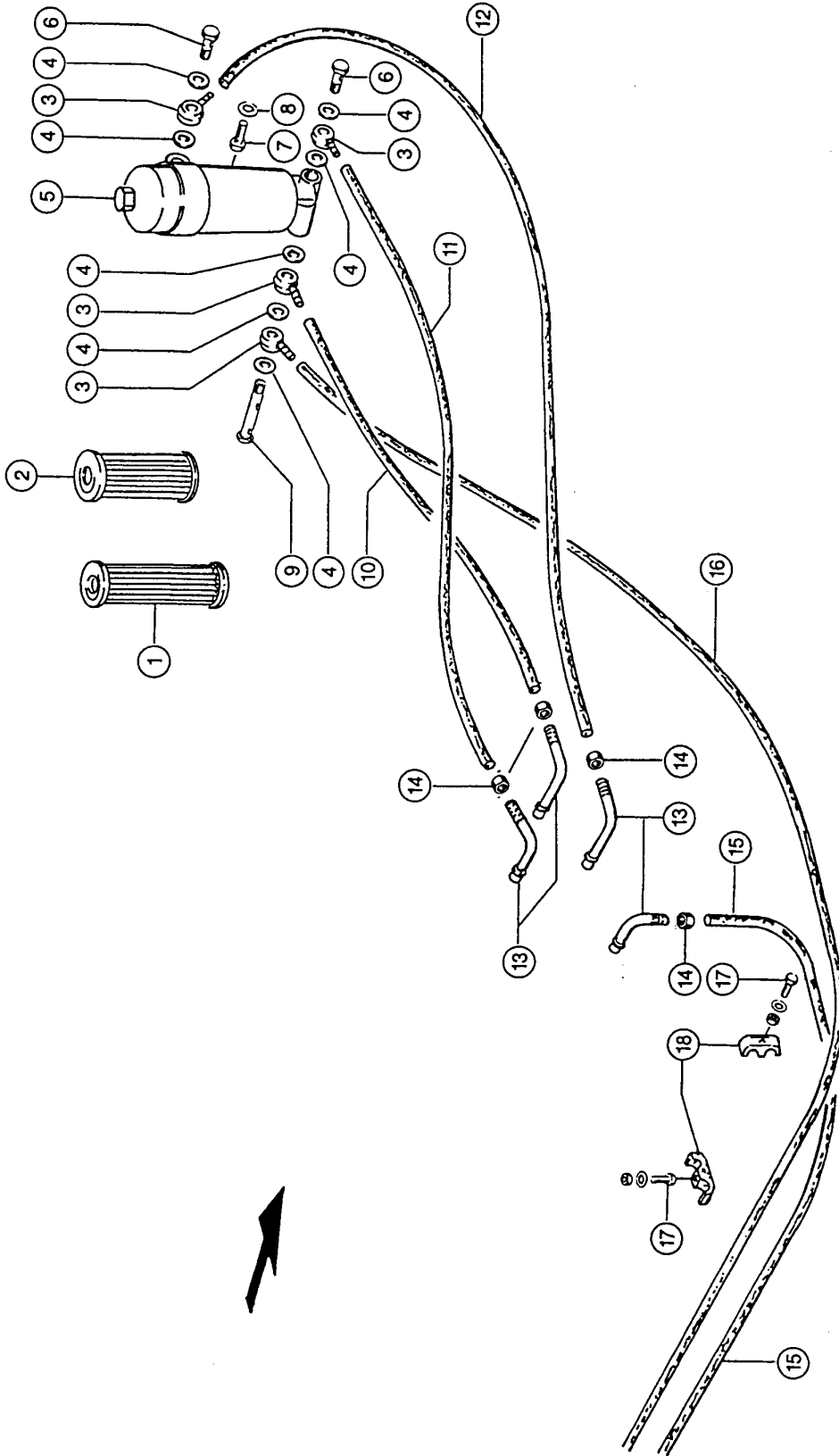
---

**386**

**MERCEDES OM 906 LA**

**CLAAS**

**BGZ 13020**



09363z00  
MEDION 340

124532

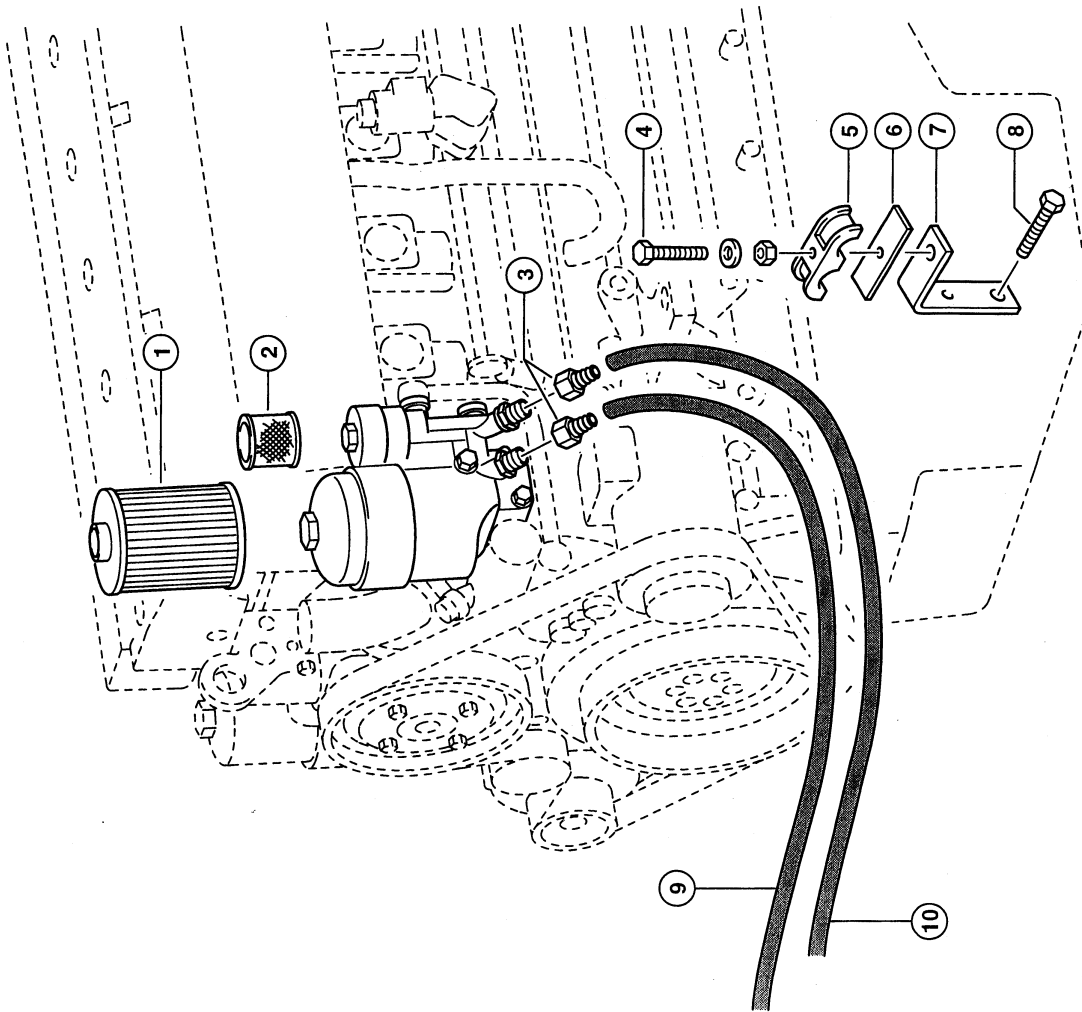
**MERCEDES OM 906 LA; FUEL SYSTEM 1)**

Pos.	Part No.	Description	Dimension	Quantity	Conditions
1	<b>00 0545 953 0</b>	OIL FILTER CARTRIDGE		1	
2	<b>00 0068 709 0</b>	FILTER ELEMENT		1	2)
3	<b>00 0215 562 0</b>	CONNECTION	R16-10	4	
4	<b>00 0216 465 0</b>	SEALING RING	D 16X22	7	
5	<b>00 0545 914 0</b>	FUEL FILTER		1	
6	<b>00 0096 030 0</b>	HOLLOW SCREW	12 - M16X1,5 (12-3 ZULÄS	2	
7	<b>00 0237 382 0</b>	HEXAGON HEAD BOLT	M10X20	2	
8	<b>00 0239 388 0</b>	CONTACT WASHER	A10-10,2X22,25X1,6	2	
9	<b>00 0216 398 0</b>	DOUBLE HOLLOW SCREW	12-8 M16X1,5	1	
10	<b>00 0545 899 0</b>	FUEL PIPE	12,5X1,25X620	1	3)
11	<b>00 0545 900 0</b>	FUEL PIPE	12,5X1,25X660	1	4)
12	<b>00 0545 898 0</b>	FUEL PIPE	12,5X1,25X920	1	5)
13	<b>00 0068 687 0</b>	CONNECTION	M18X1,5-10/100GRAD	4	
14	<b>00 0216 364 0</b>	UNION NUT	BLL12	4	
15	<b>00 0545 902 0</b>	FUEL PIPE	12,5X1,25X3140	1	6)
16	<b>00 0545 901 0</b>	FUEL PIPE	12,5X1,25X4500	1	7)
17	<b>00 0242 442 0</b>	HEXAGON HEAD BOLT	M 6X30	3	
17	<b>00 0236 169 0</b>	HEXAGONAL NUT	M6	3	
17	<b>00 0239 386 0</b>	CONTACT WASHER	A 6	3	
18	<b>00 0723 501 0</b>	DOUBLE CLAMP	B 12	3	

<b>1)</b>	<b>Remarks</b>	Up To Serial No. 93400579
<b>2)</b>	<b>Remarks</b>	with O-Ring
<b>3)</b>	<b>Remarks</b>	with Item 3, 13, 14 620 long
<b>4)</b>	<b>Remarks</b>	with Item 3, 13, 14 660 long
<b>5)</b>	<b>Remarks</b>	with Item 3, 13, 14 920 long
<b>6)</b>	<b>Remarks</b>	with Item 3, 13, 14 3100 long for hand feed pump
<b>7)</b>	<b>Remarks</b>	with Item 3 4500 long for front tank

386A

09698z00  
MEDION 340



CLAAS



**MERCEDES OM 906 LA; FUEL SYSTEM 1)**

Pos.	Part No.	Description	Dimension	Quantity	Conditions
1	<b>00 0798 318 0</b>	FILTER ELEMENT		1	2)
2	<b>00 0798 319 0</b>	FILTER ELEMENT		1	3)
3	<b>00 0068 688 1</b>	CONNECTION	M18X1,5-10	2	
4	<b>00 0242 442 0</b>	HEXAGON HEAD BOLT	M 6X30	1	
4	<b>00 0236 169 0</b>	HEXAGONAL NUT	M6	1	
4	<b>00 0239 386 0</b>	CONTACT WASHER	A 6	1	
5	<b>00 0723 501 0</b>	DOUBLE CLAMP	B 12	1	
6	<b>00 0813 888 0</b>	PLATE	70X25X3	1	
7	<b>00 0605 551 2</b>	BRACKET	25X5X145	1	
8	<b>00 0242 442 0</b>	HEXAGON HEAD BOLT	M 6X30	1	
9	<b>00 0796 869 1</b>	FUEL PIPE	MOTOR->TANK	1	4)
10	<b>00 0796 870 1</b>	FUEL PIPE	HANDPUMPE->MOT OR	1	5)

**1) Remarks** From Serial No. 93400580

**2) Remarks** Main filter

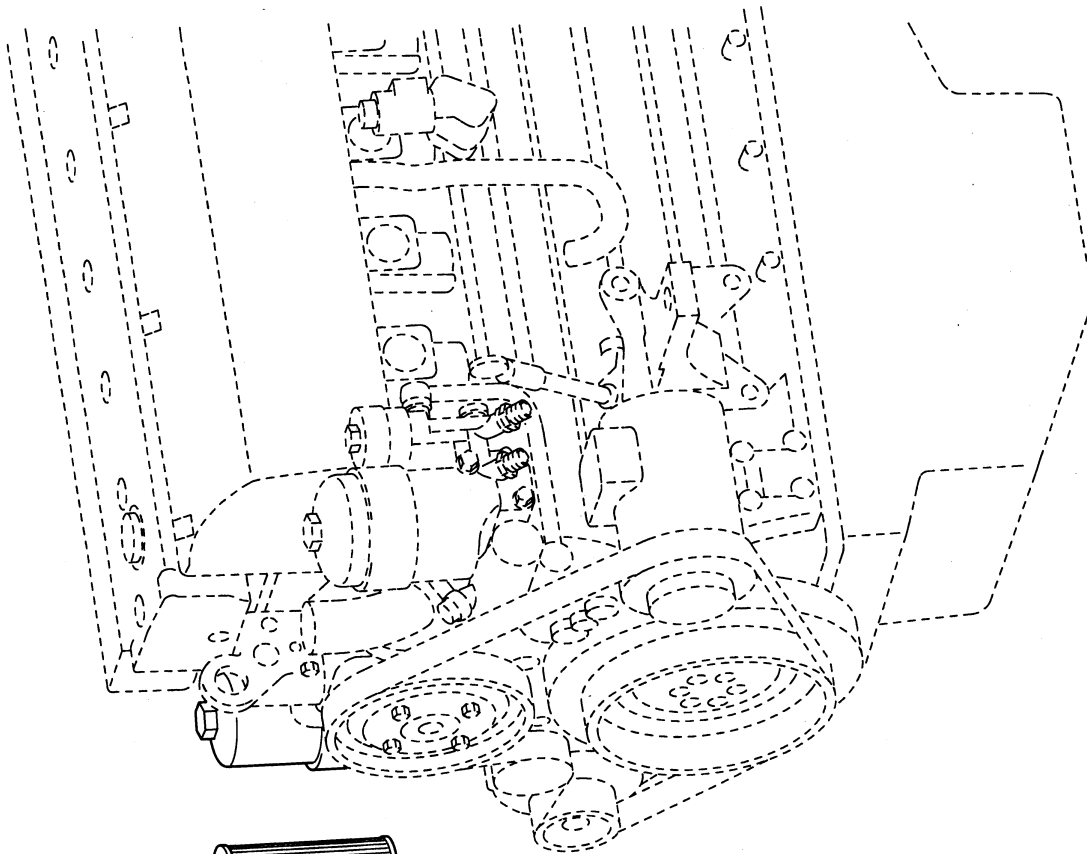
**3) Remarks** Pre filter

**4) Remarks** to tank  
4020 long

**5) Remarks** to hand pump  
3400 long

**386B**

09699z00  
MEDION 340



1

**CLAAS**

MEDION 340

138240



**ENGINE ACCESSORIES; OIL - FILTER 1)**

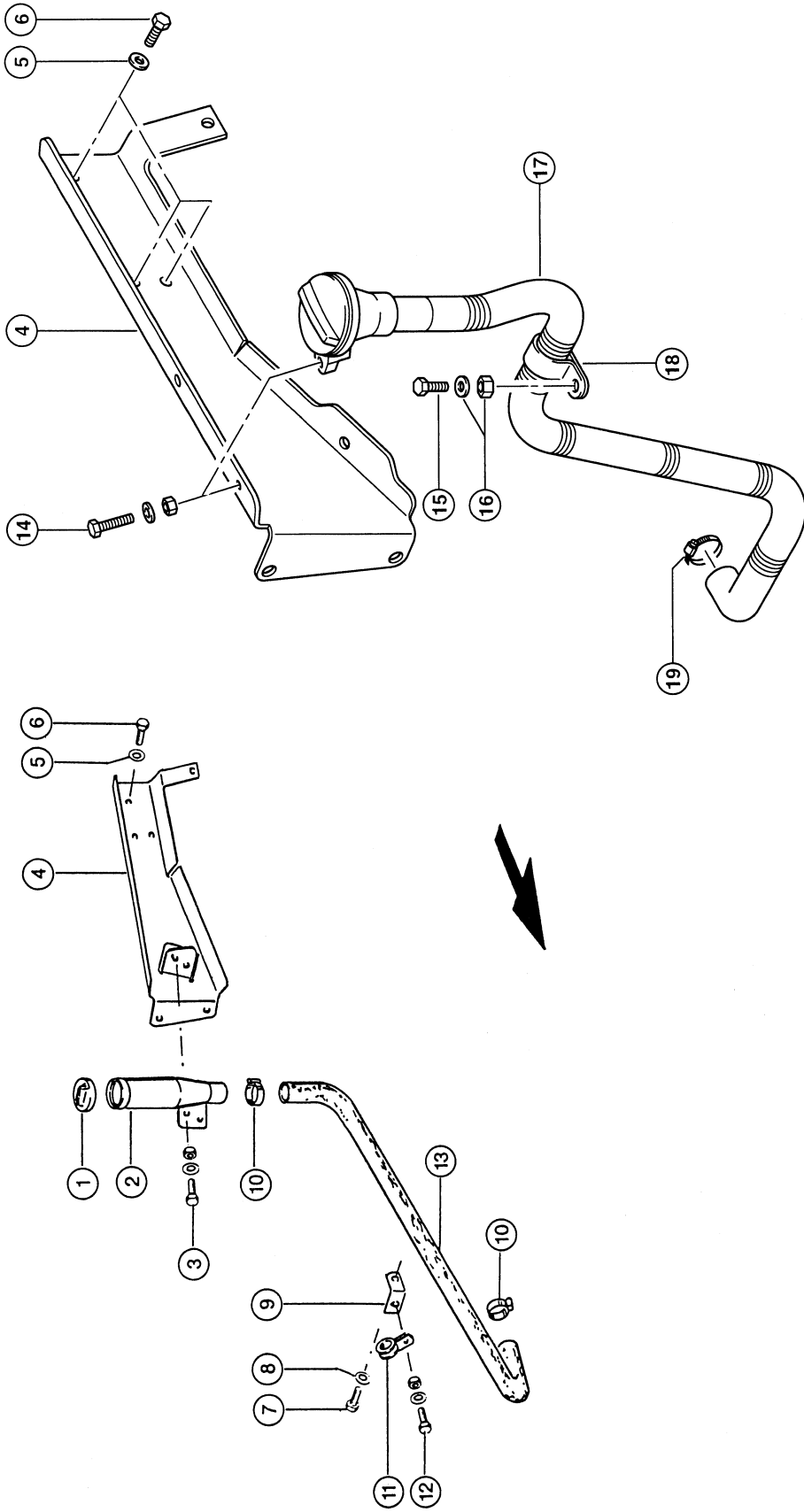
Pos.	Part No.	Description	Dimension	Quantity	Conditions
1	<b>00 0545 953 0</b>	OIL FILTER CARTRIDGE		1	
<b>1)</b>	<b>Remarks</b>	From Serial No. 93400580			

399

MERCEDES OM 906 LA

CLAAS

BGZ 13070



09618z00  
MEDION 340

124552/01

**MERCEDES OM 906 LA; OIL FILLER TUBE**

Pos.	Part No.	Description	Dimension	Quantity	Conditions
1	<b>00 0545 904 0</b>	LOCKING-COVER	ÖVD RV 40 AG,OHNE LUEFTU	1	1)
2	<b>00 0545 903 0</b>	OIL FILLER TUBE		1	1)
3	<b>00 0237 439 0</b>	HEXAGON HEAD BOLT	M8X16	2	1)
3	<b>00 0239 387 0</b>	CONTACT WASHER	A8-8,2X18X1,4	2	1)
3	<b>00 0236 170 0</b>	HEXAGONAL NUT	M8	2	1)
4	<b>00 0796 865 0</b>	SUPPORT	4X182X340	1	2)
4	<b>00 0545 711 2</b>	SUPPORT	4X185,1X439	1	3)
5	<b>00 0239 387 0</b>	CONTACT WASHER	A8-8,2X18X1,4	3	
6	<b>00 0236 200 0</b>	HEXAGON HEAD BOLT	M8X20	3	
7	<b>00 0237 453 0</b>	HEXAGON HEAD BOLT	M10X30	1	1)
8	<b>00 0239 388 0</b>	CONTACT WASHER	A10-10,2X22,25X1,6	1	1)
9	<b>00 0785 240 0</b>	ANGLE	30X4X60	1	1)
10	<b>00 0408 558 3</b>	HOSE CLAMP	A - 25-40X12	2	1)
11	<b>00 0215 079 0</b>	HOLDER CLAMP	D1-38X25	1	1)
12	<b>00 0236 200 0</b>	HEXAGON HEAD BOLT	M8X20	1	1)
12	<b>00 0236 170 0</b>	HEXAGONAL NUT	M8	1	1)
12	<b>00 0239 387 0</b>	CONTACT WASHER	A8-8,2X18X1,4	1	1)
13	<b>00 0545 759 0</b>	OIL FILLER HOSE		1	1)
14	<b>00 0237 467 0</b>	HEXAGON HEAD BOLT	M 6X22	1	4)
14	<b>00 0236 169 0</b>	HEXAGONAL NUT	M6	1	4)
14	<b>00 0239 386 0</b>	CONTACT WASHER	A 6	1	4)
14	<b>00 0237 439 0</b>	HEXAGON HEAD BOLT	M8X16	1	4)
14	<b>00 0239 387 0</b>	CONTACT WASHER	A8-8,2X18X1,4	1	4)
15	<b>00 0236 200 0</b>	HEXAGON HEAD BOLT	M8X20	1	4)
15	<b>00 0237 370 0</b>	HEXAGON HEAD BOLT	M8X30	1	4)
16	<b>00 0239 387 0</b>	CONTACT WASHER	A8-8,2X18X1,4	2	4)
16	<b>00 0236 170 0</b>	HEXAGONAL NUT	M8	2	4)
17	<b>00 0545 846 0</b>	OIL FILLER TUBE		1	4)
17	<b>00 0133 157 0</b>	LOCKING COVER	ÖVD RV 40 AG,OHNE LUEFTU	1	4)
18	<b>00 0812 991 0</b>	HOLDER CLAMP	D1-15X20	2	4)
19	<b>00 0408 558 3</b>	HOSE CLAMP	A - 25-40X12	1	4)

<b>1) Remarks</b>	to No. 93400323
<b>2) Remarks</b>	from No. 93400580
<b>3) Remarks</b>	to No. 93400579
<b>4) Remarks</b>	from no. 93400324

Thank you so much for reading.  
Please click the “Buy Now!”  
button below to download the  
complete manual.



After you pay.

You can download the most  
perfect and complete manual in  
the world immediately.

Our support email:

[ebooklibonline@outlook.com](mailto:ebooklibonline@outlook.com)